



US00D735484S

(12) **United States Design Patent**
Lu

(10) **Patent No.:** **US D735,484 S**
(45) **Date of Patent:** **** Aug. 4, 2015**

(54) **CHAIR**

(71) Applicant: **Dongguan Boyi Furniture Limited**,
Dongguan, Guangdong (CN)
(72) Inventor: **Shunjie Lu**, Guangdong (CN)
(73) Assignee: **DONGGUAN BOYI FURNITURE**
LIMITED, Dongguan, Guangdong (CN)
(**) Term: **14 Years**

(21) Appl. No.: **29/497,438**

(22) Filed: **Jul. 24, 2014**

(30) **Foreign Application Priority Data**

Feb. 17, 2014 (CN) 2014 3 0028424

(51) **LOC (10) Cl.** **06-01**

(52) **U.S. Cl.**
USPC **D6/368; D6/376**

(58) **Field of Classification Search**
USPC D6/334–336, 368, 373, 374, 376, 379,
D6/380, 716, 716.1, 716.2, 716.3, 716.4
CPC A47C 1/46; A47C 4/03; A47C 4/04;
A47C 4/18; A47C 5/04; A47C 5/10; A47C
7/40; A47C 7/54; A47C 7/543

See application file for complete search history.

(56) **References Cited**

U.S. PATENT DOCUMENTS

D214,267 S *	5/1969	Moore et al.	D6/368
D314,285 S *	2/1991	Favaretto	D6/373
D452,619 S *	1/2002	Piretti	D6/368
D476,495 S *	7/2003	Tsai	D6/380
D581,689 S *	12/2008	Marini	D6/380
D605,867 S *	12/2009	Lu	D6/368
7,775,600 B2 *	8/2010	Batthey et al.	A47C 7/543
D664,785 S *	8/2012	Fletcher et al.	D6/376
D667,649 S *	9/2012	Waite et al.	D6/368

* cited by examiner

Primary Examiner — Mimoso De

(57) **CLAIM**

The ornamental design for a chair, as shown and described.

DESCRIPTION

FIG. 1 is a front elevational view;
FIG. 2 is a back elevational view;
FIG. 3 is a left side view;
FIG. 4 is a right side view;
FIG. 5 is a top plan view;
FIG. 6 is bottom plan view; and,
FIG. 7 is a perspective rear view.

1 Claim, 4 Drawing Sheets



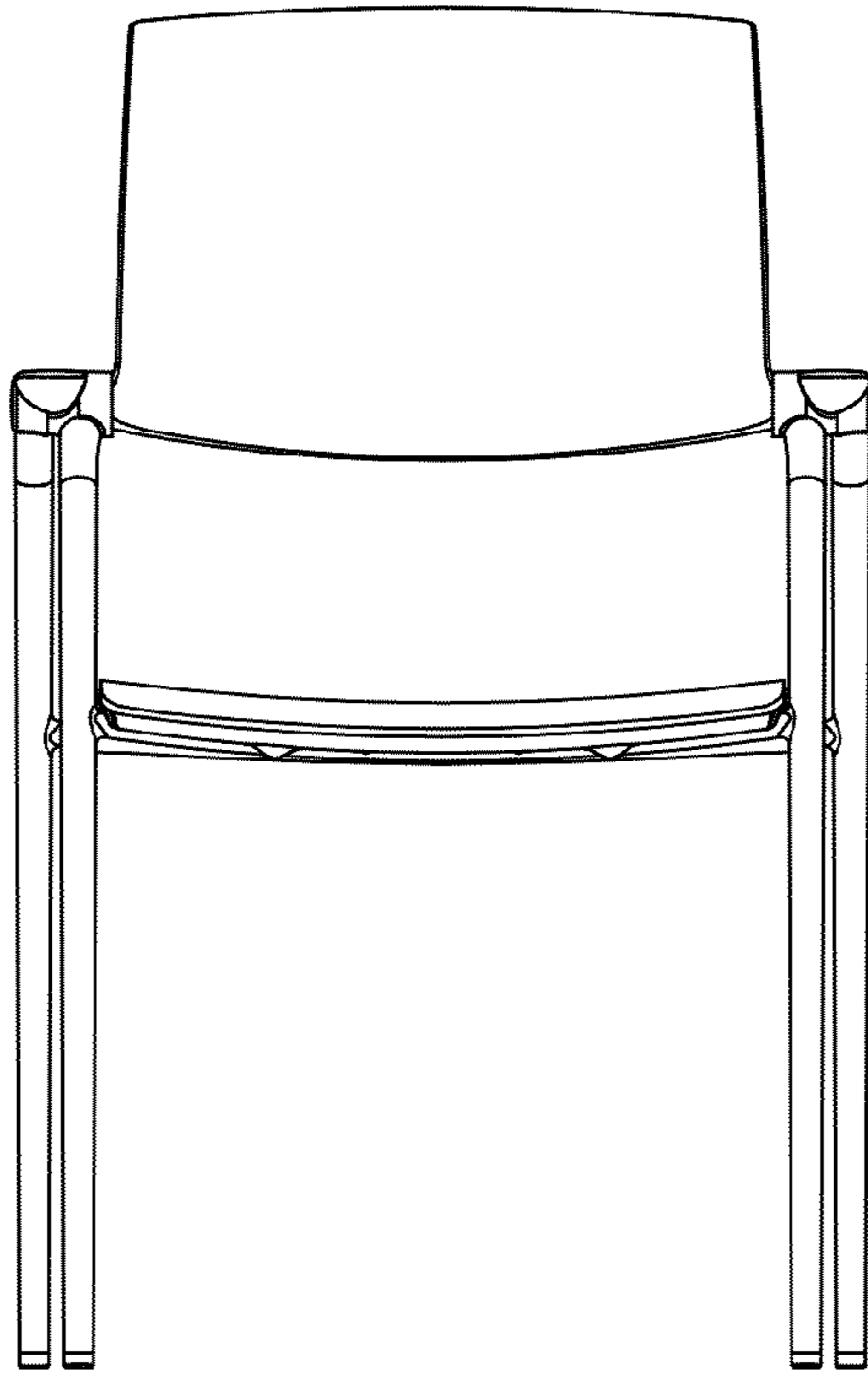


Fig. 1

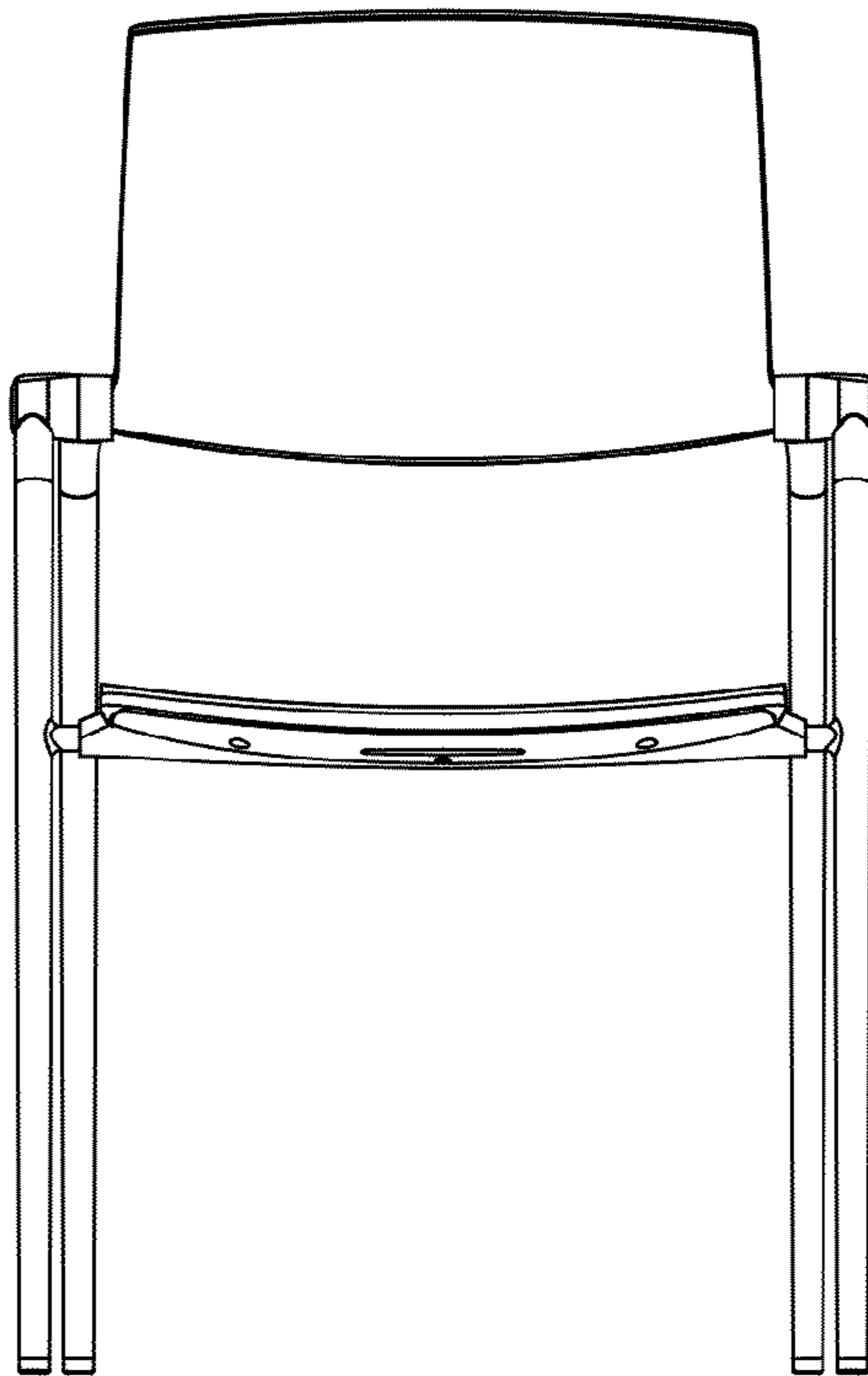


Fig. 2

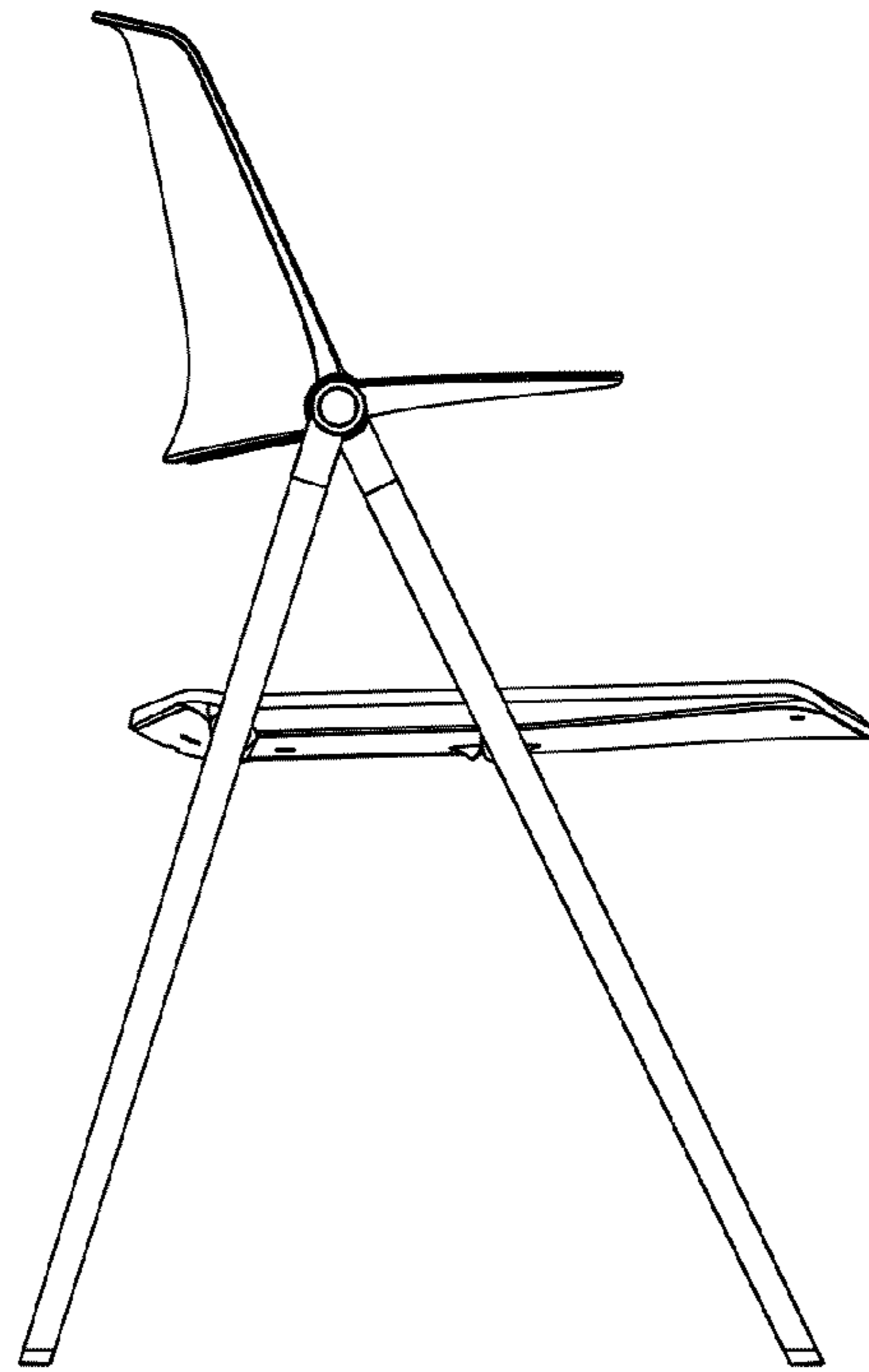


Fig. 3

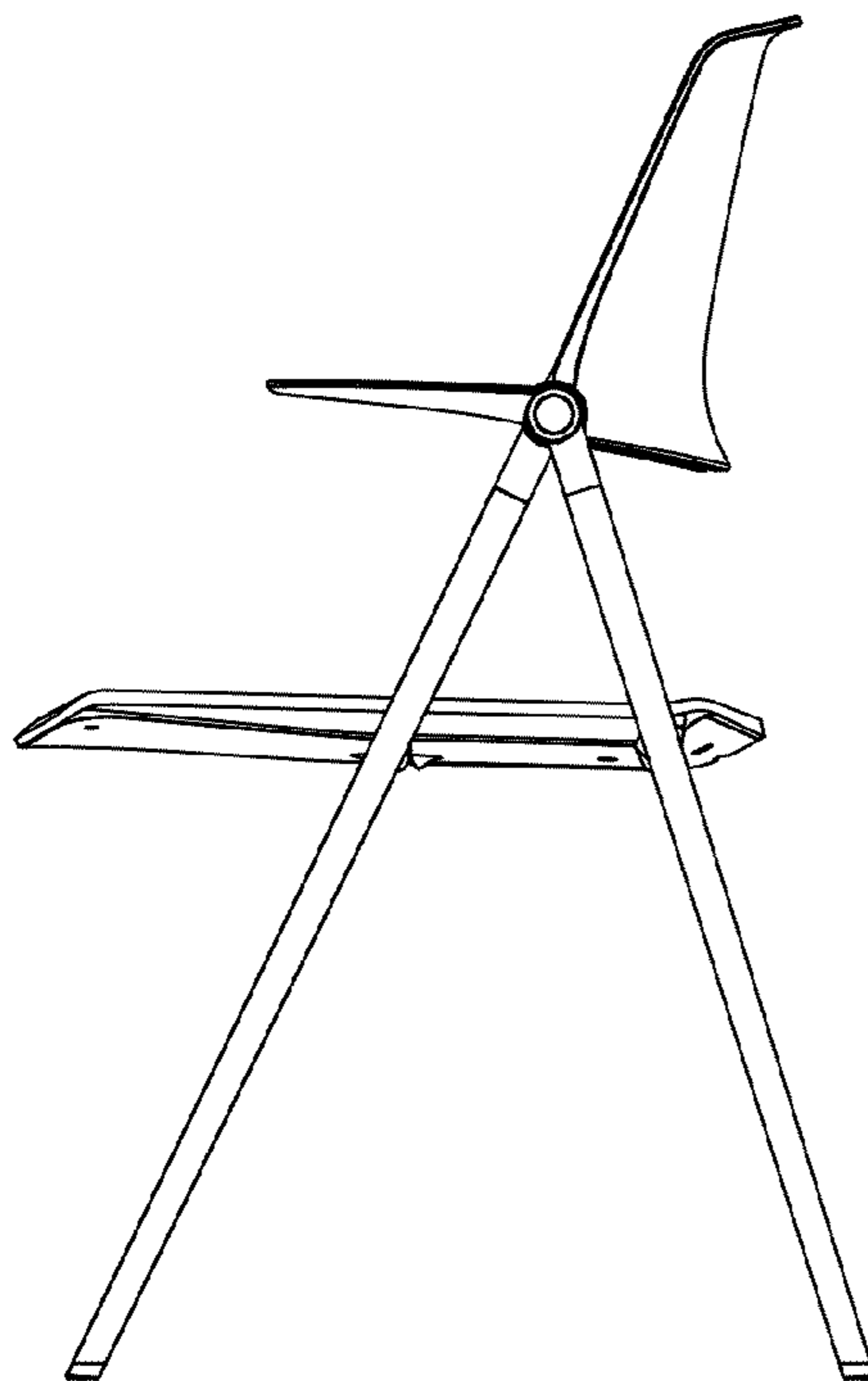


Fig. 4

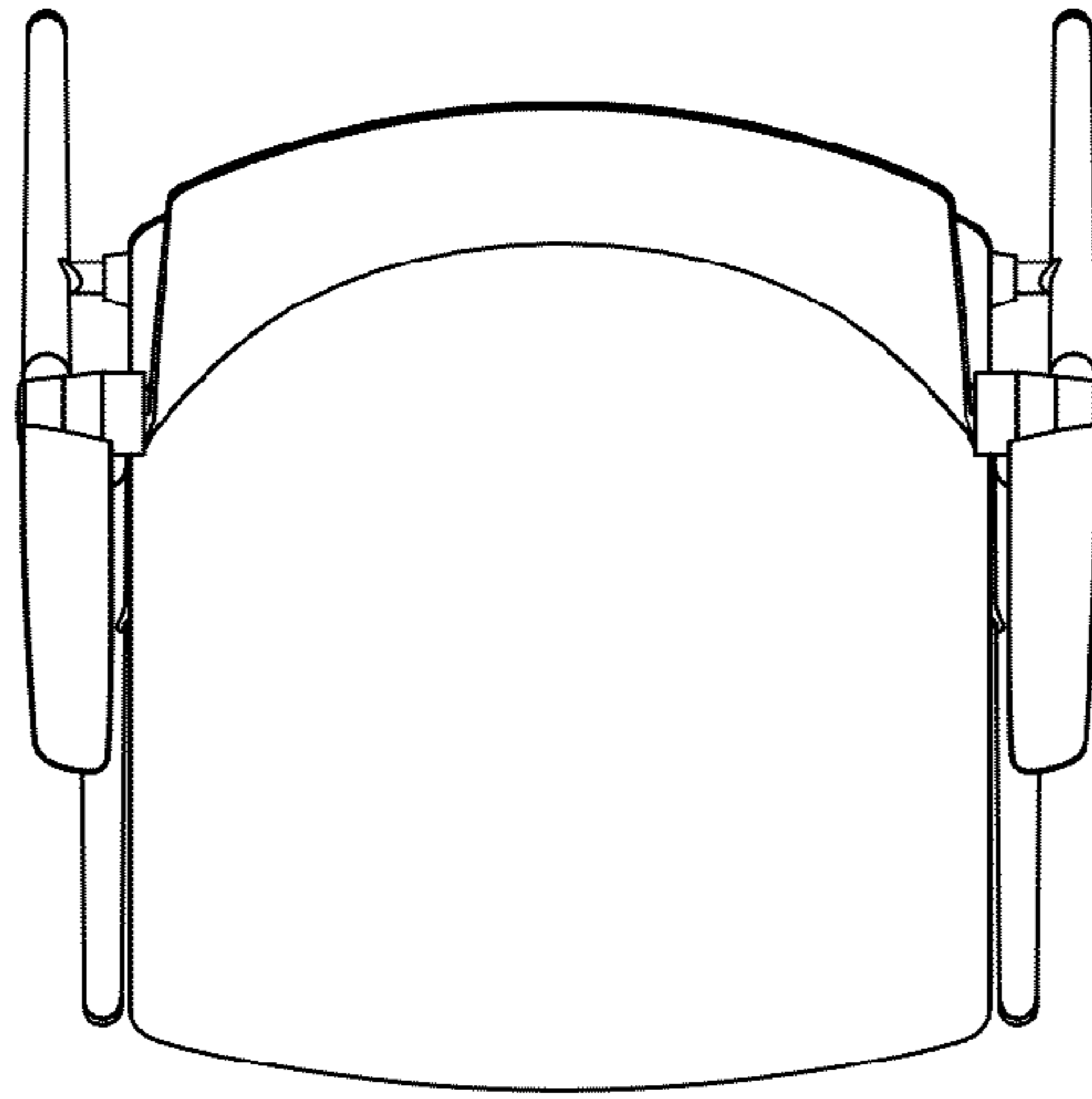


Fig. 5

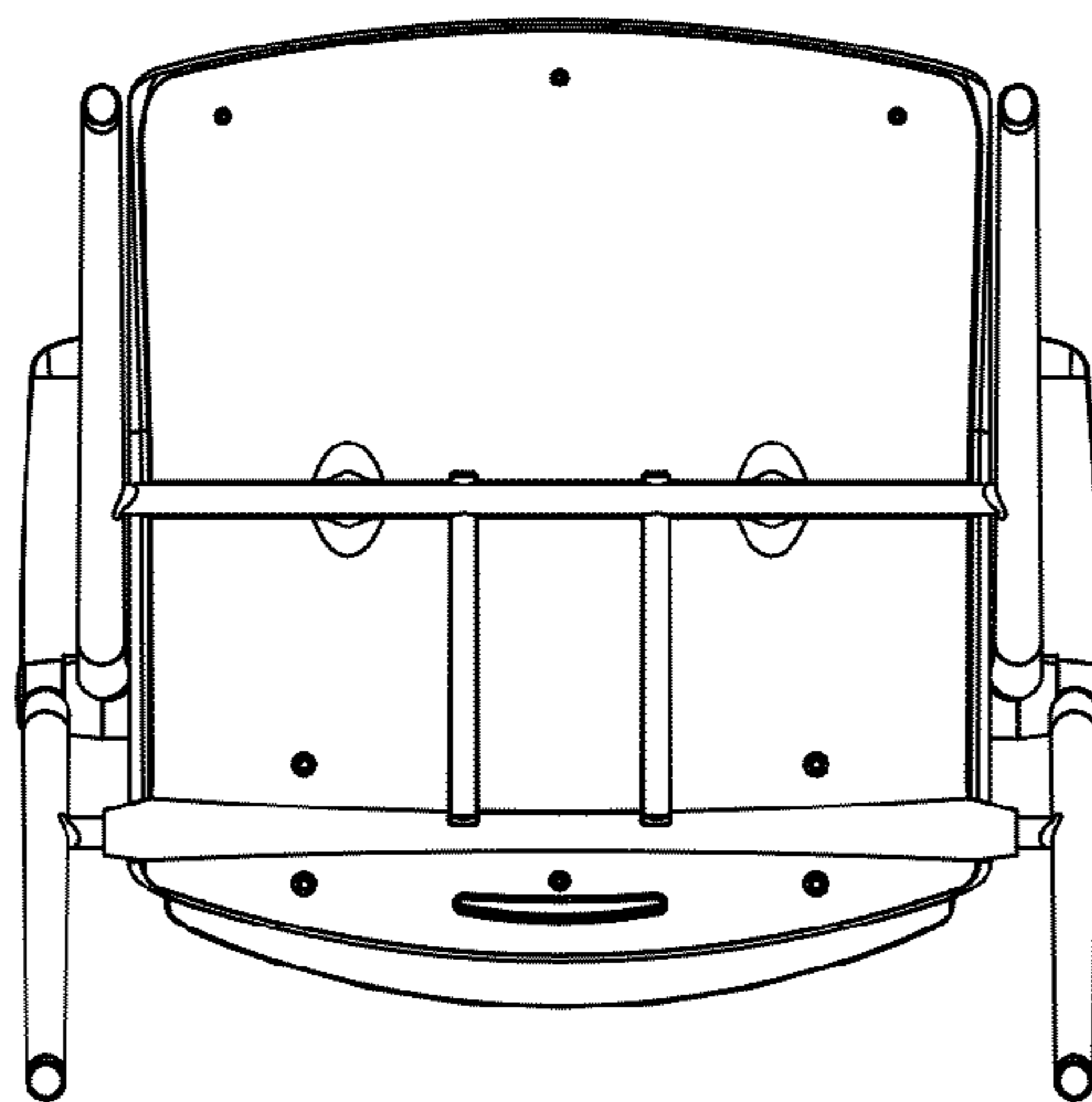


Fig. 6

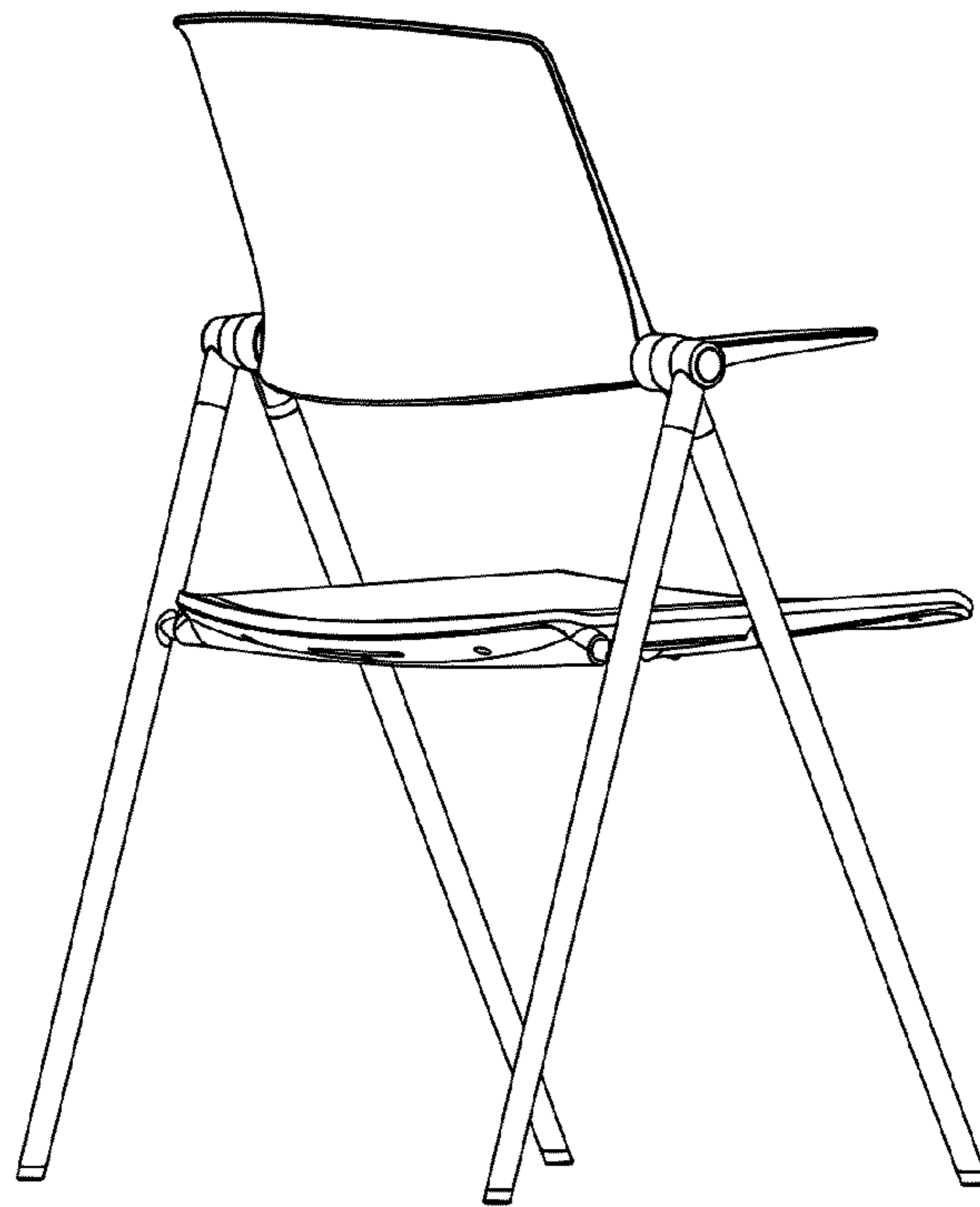


Fig. 7