



US00D735472S

(12) **United States Design Patent**
Waltrip

(10) **Patent No.:** **US D735,472 S**

(45) **Date of Patent:** **** Aug. 4, 2015**

(54) **BOTTLE CARRIER**

D517,797 S 3/2006 Lown et al.
D517,798 S 3/2006 Lown et al.
D518,631 S 4/2006 Lown et al.

(71) Applicant: **Mark A. Waltrip**, Orlando, FL (US)

(72) Inventor: **Mark A. Waltrip**, Orlando, FL (US)

(**) Term: **14 Years**

(21) Appl. No.: **29/502,559**

(22) Filed: **Sep. 17, 2014**

Primary Examiner — Catheri Oliver-Garcia

(74) *Attorney, Agent, or Firm* — Allen Dyer Doppelt
Milbrath & Gilchrist

(57) **CLAIM**

The ornamental design for a bottle carrier, as shown and described.

DESCRIPTION

Related U.S. Application Data

(62) Division of application No. 29/431,475, filed on Sep. 7, 2012, now Pat. No. Des. 716,545.

(51) **LOC (10) Cl.** **03-01**

(52) **U.S. Cl.**
USPC **D3/229**

(58) **Field of Classification Search**
USPC D3/229, 202, 294; D7/601–602, 605,
D7/607–608, 619.1, 619.2;
224/148.1–148.7

See application file for complete search history.

(56) **References Cited**

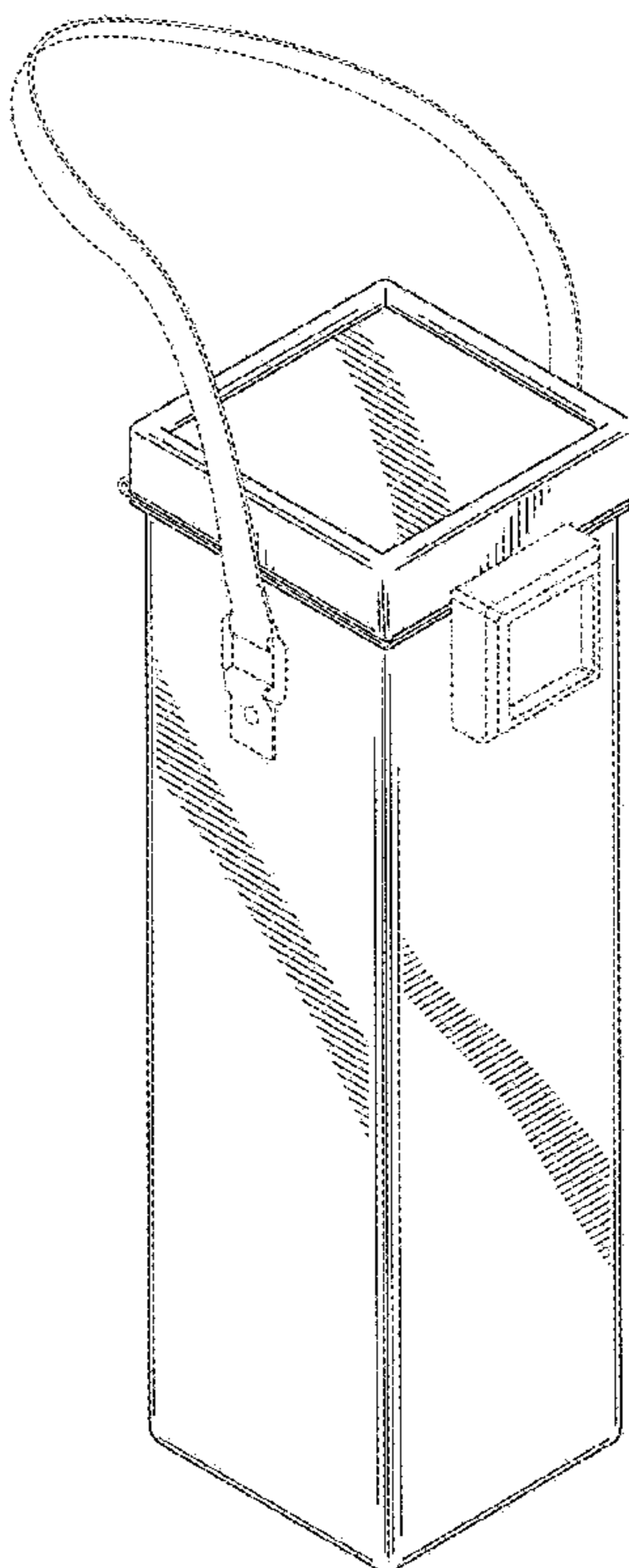
U.S. PATENT DOCUMENTS

D243,637 S 3/1977 Rabinowitz
D306,800 S 3/1990 Yeager
D393,779 S 4/1998 Cabey
D488,357 S 4/2004 Cabey

FIG. 1 is a front, right, top perspective view of a bottle carrier, according to an embodiment of the present invention; FIG. 2 is a front view of the bottle carrier of FIG. 1; FIG. 3 is a rear view of the bottle carrier of FIG. 1; FIG. 4 is a right side view of the bottle carrier of FIG. 1; FIG. 5 is a left side view of the bottle carrier of FIG. 1; FIG. 6 is a top view of the bottle carrier of FIG. 1; FIG. 7 is a bottom view of the bottle carrier of FIG. 1; FIG. 8 is a top view of the bottle carrier of FIG. 1, in an alternate configuration; FIG. 9 is a front, right, top perspective view of the bottle carrier of FIG. 1, in an alternate configuration; and, FIG. 10 is a rear, left, bottom perspective view of the bottle carrier of FIG. 1.

The broken line showing of environment in the drawings is included for the purpose of illustrating only and forms no part of the claimed design.

1 Claim, 10 Drawing Sheets



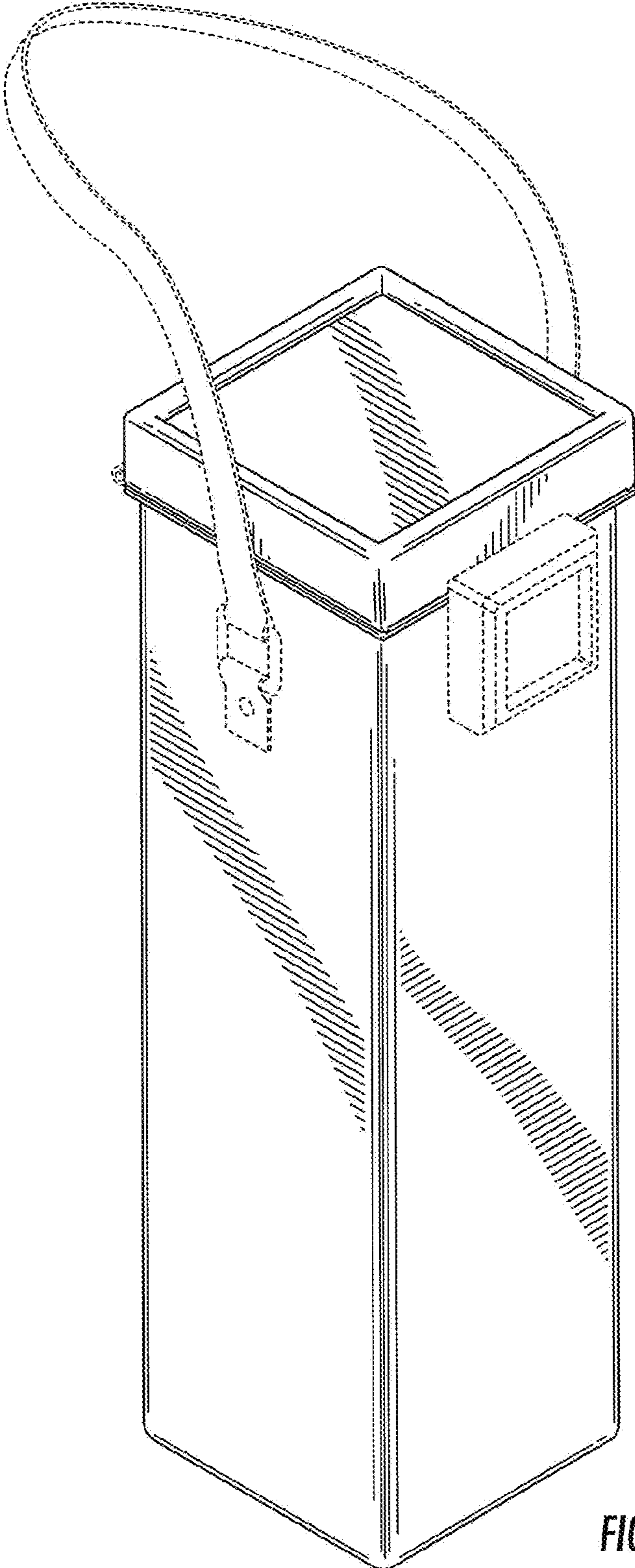


FIG. 1

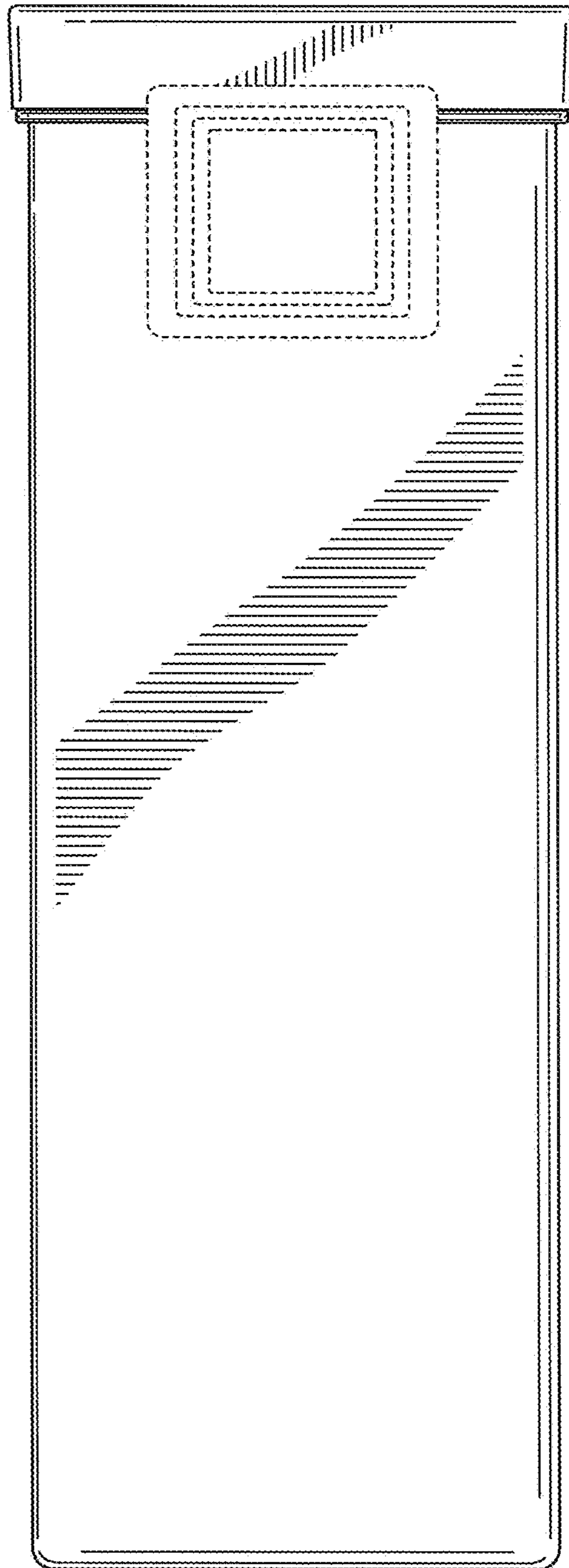


FIG. 2

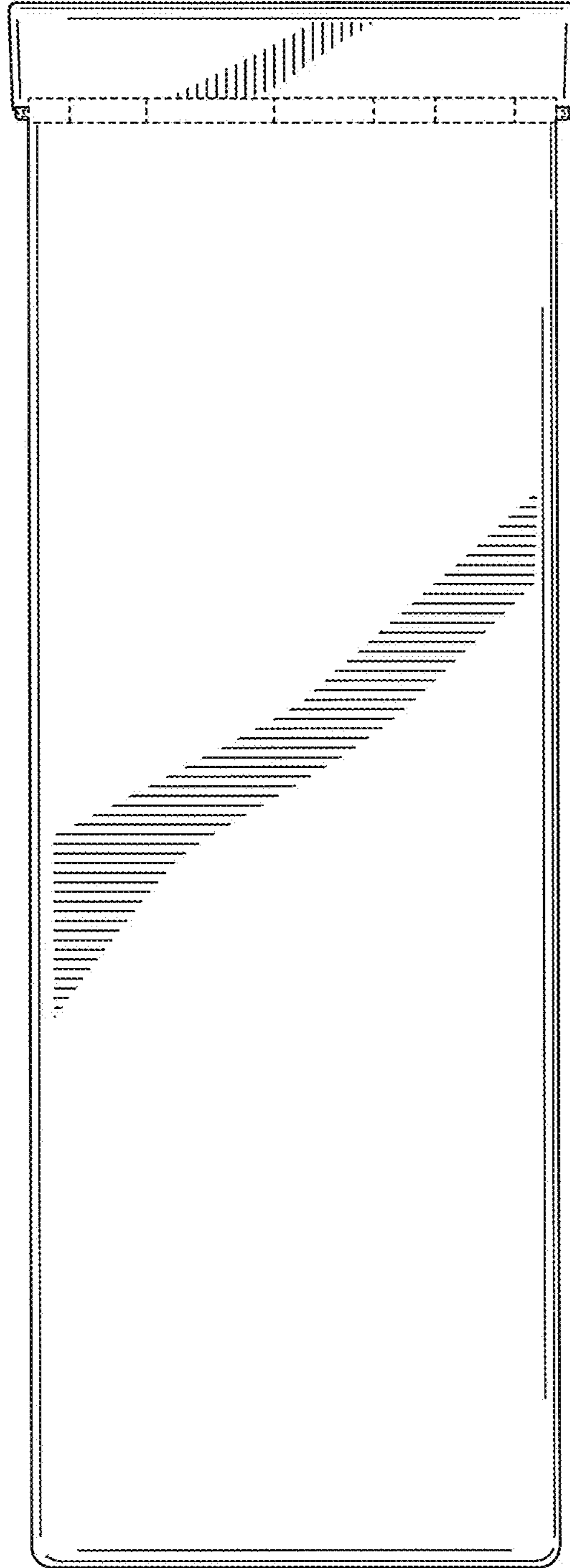


FIG. 3

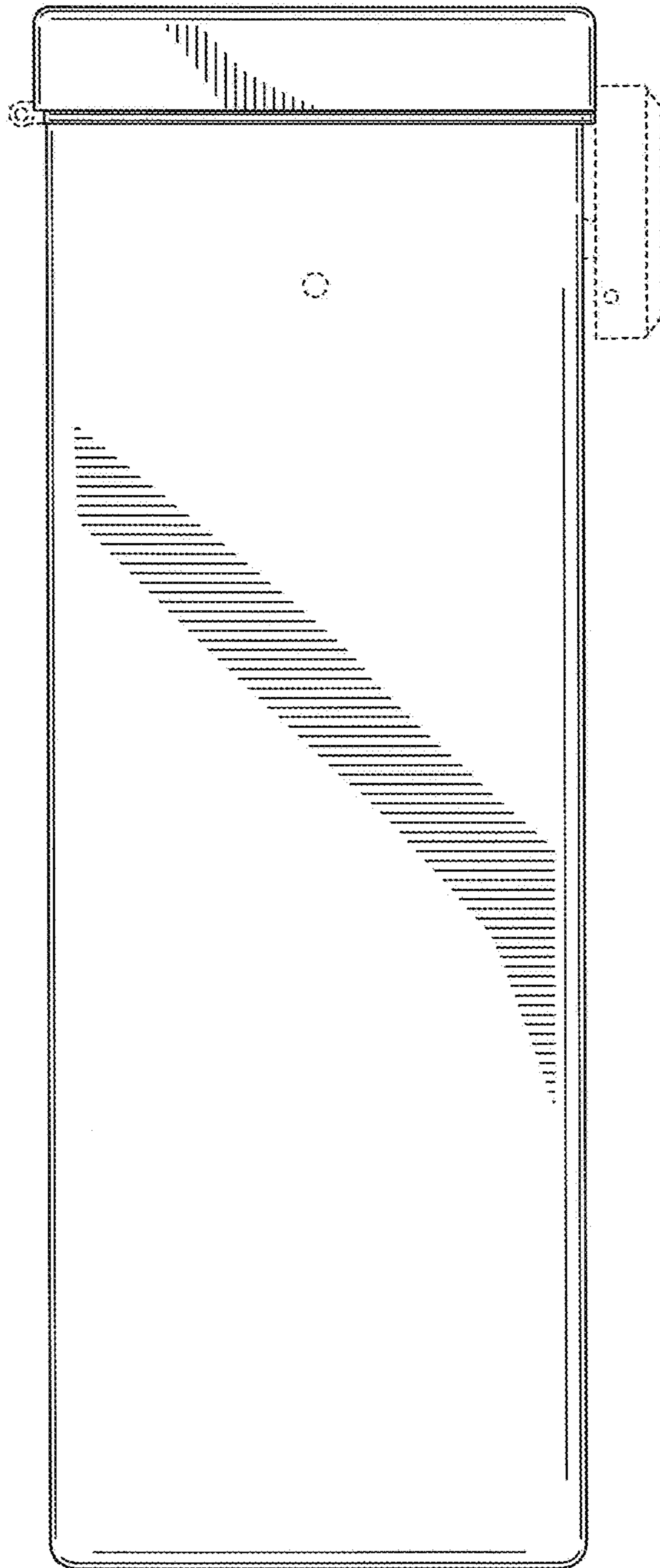


FIG. 4

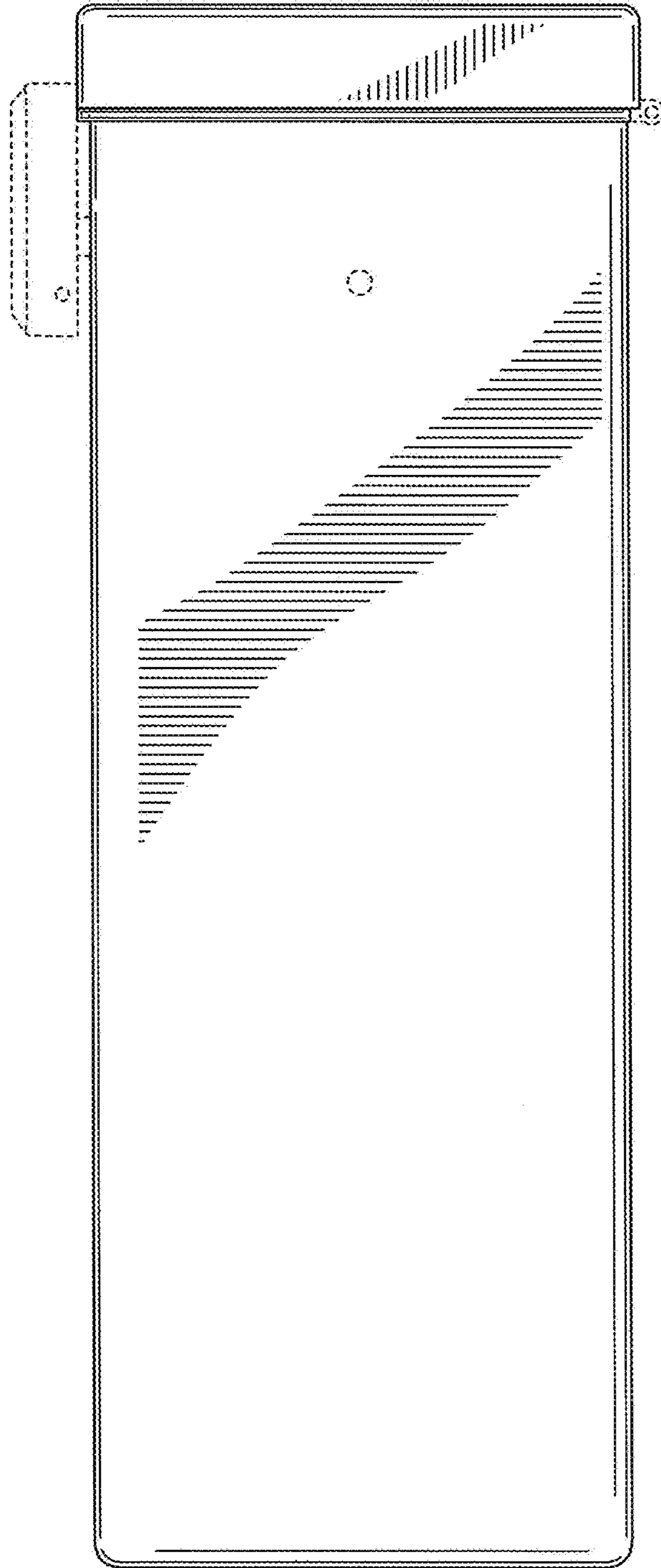


FIG. 5

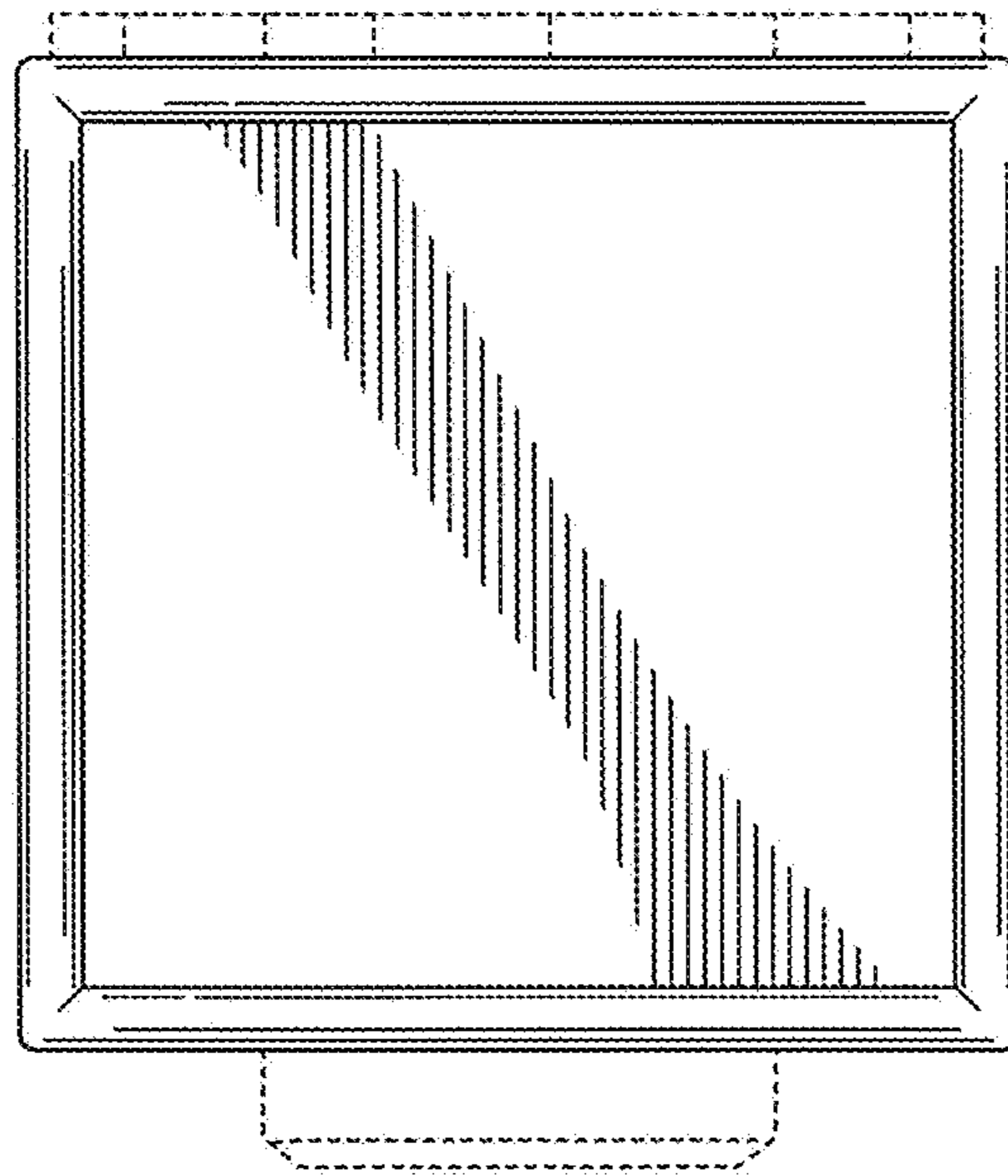


FIG. 6

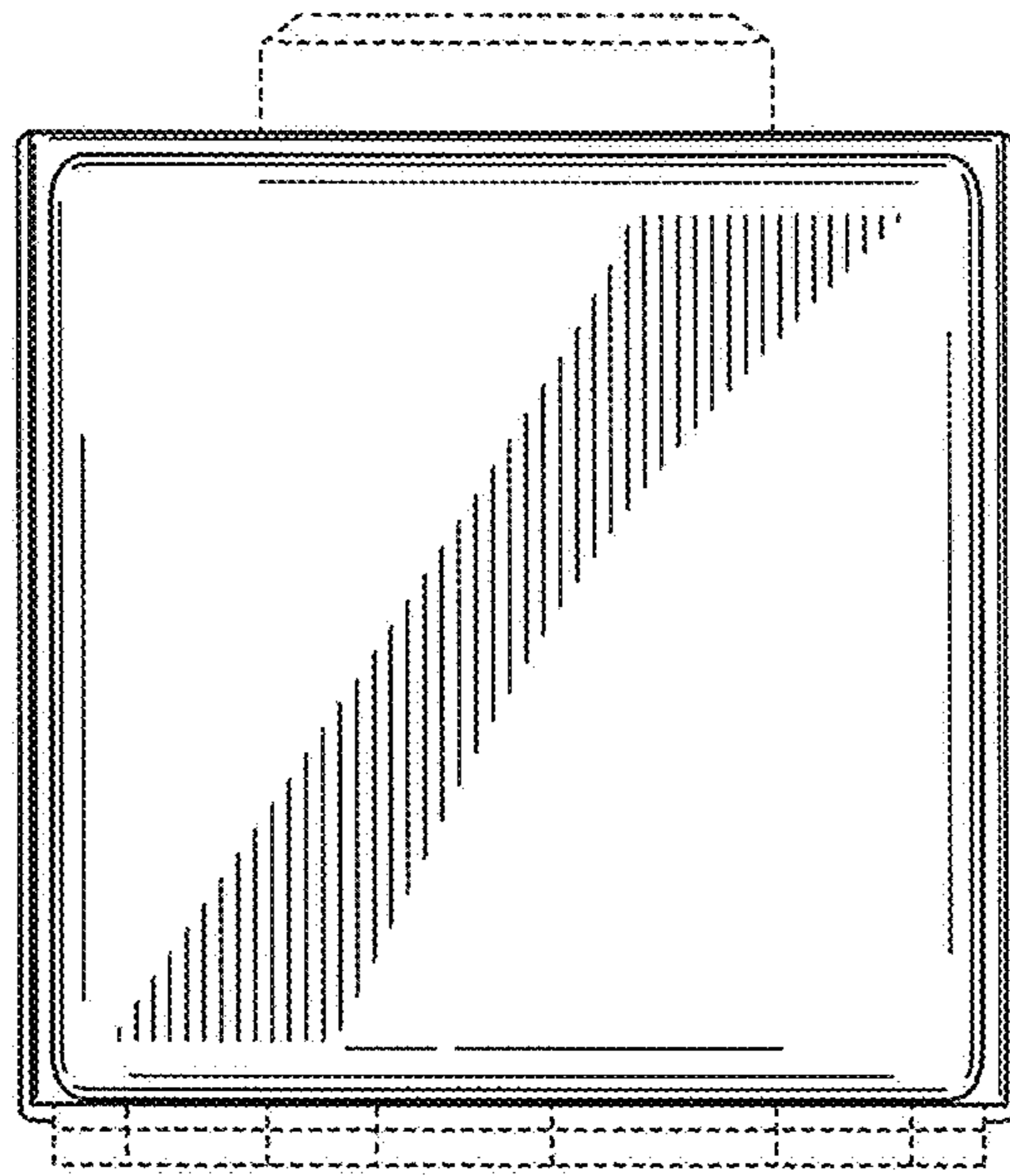


FIG. 7

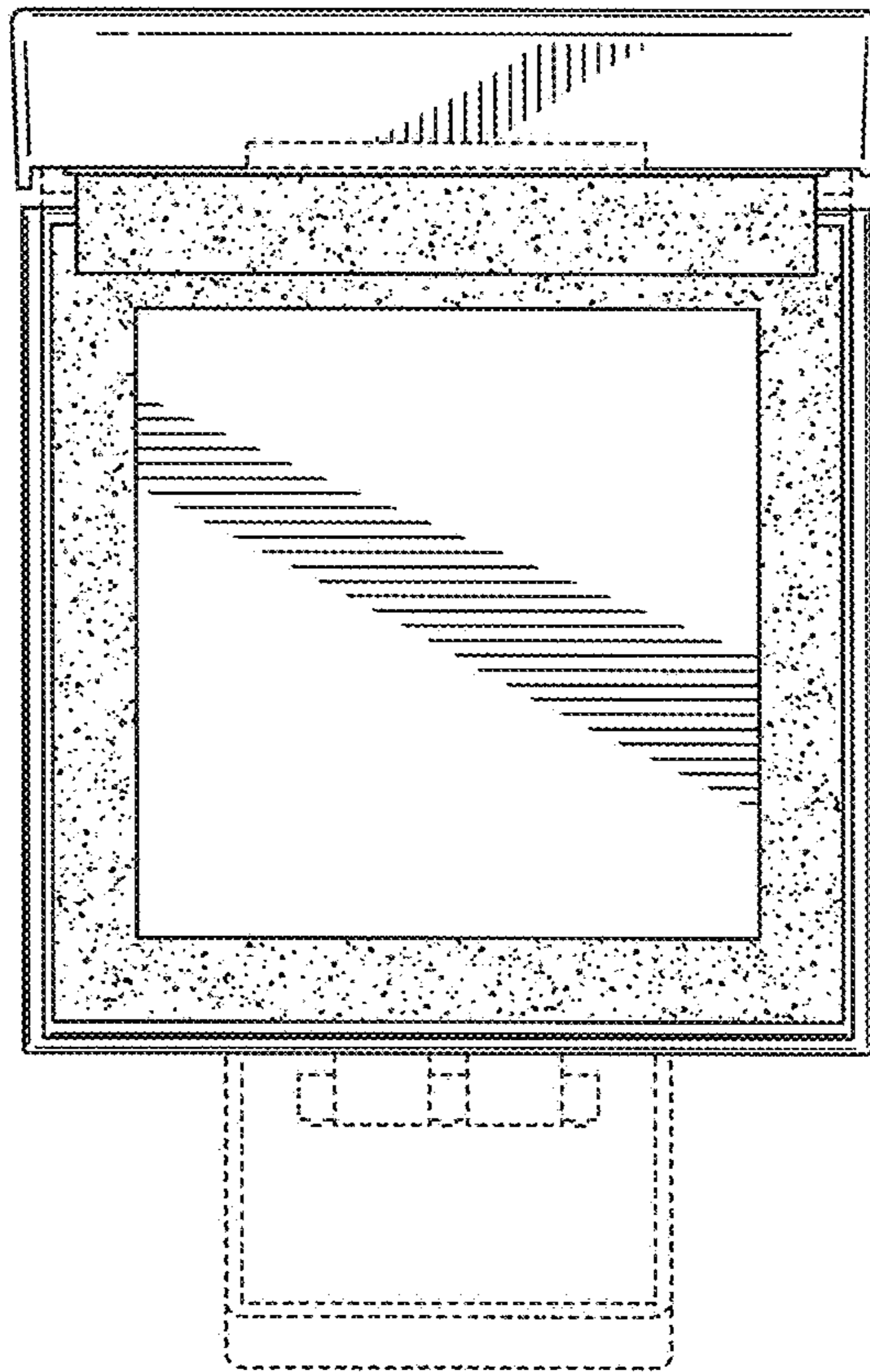


FIG. 8

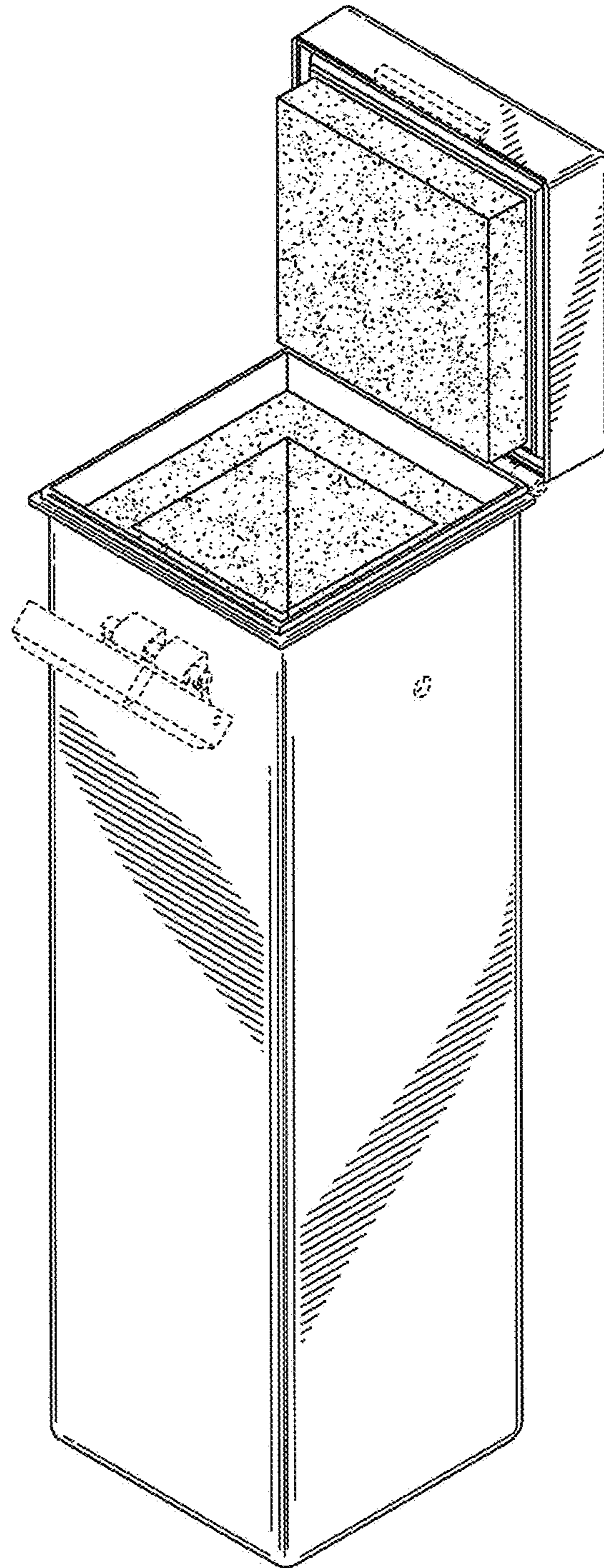


FIG. 9

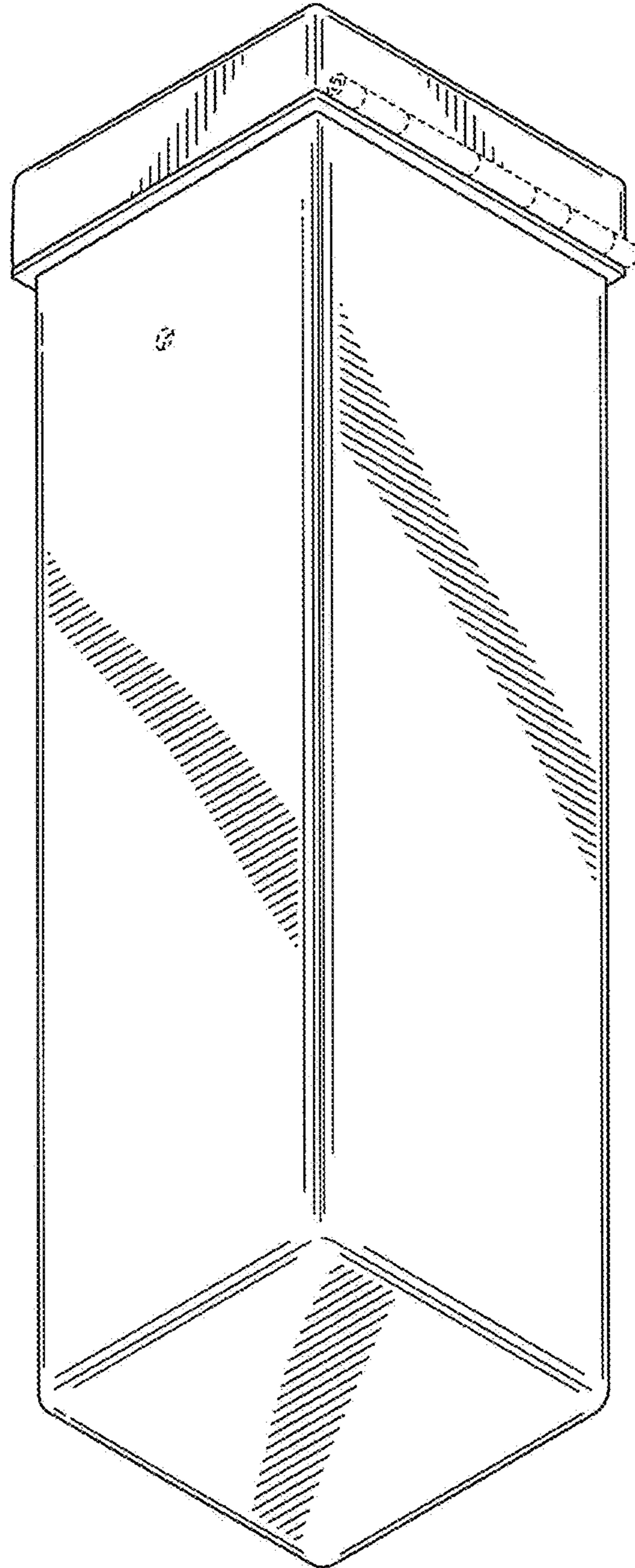


FIG. 10