



US00D735466S

(12) **United States Design Patent**
Akin et al.

(10) **Patent No.:** **US D735,466 S**

(45) **Date of Patent:** **** Aug. 4, 2015**

(54) **BATTERY HOUSING FOR UMBRELLA**

(71) Applicant: **ZON**, Manhattan Beach, CA (US)

(72) Inventors: **Sarah Akin**, Manhattan Beach, CA (US); **David Johnson**, San Francisco, CA (US)

(73) Assignee: **ZON**, Manhattan Beach, CA (US)

(**) Term: **14 Years**

(21) Appl. No.: **29/461,659**

(22) Filed: **Jul. 26, 2013**

(51) **LOC (10) Cl.** **03-03**

(52) **U.S. Cl.**
USPC **D3/10; D13/103; D26/138**

(58) **Field of Classification Search**
USPC **D3/5, 7-10, 12-18; D7/601, 619.1; D9/503; D13/103-122, 134, 138, 179, D13/180, 184; D24/224; D26/96, 113, 138, D26/142; 135/20.3, 16; 165/80.3, 121, 185; 315/51; 320/107-115; 362/294, 307, 362/612, 545, 555; 429/27, 110-115, 162, 429/171, 174, 185**
CPC **A45B 11/00; H10M 2/022**
See application file for complete search history.

(56) **References Cited**

U.S. PATENT DOCUMENTS

2,740,823	A *	4/1956	Sexe et al.	429/82
4,193,389	A *	3/1980	Ku	
D301,454	S *	6/1989	Hara et al.	D13/112
5,057,386	A *	10/1991	Gordy	429/174
D426,517	S *	6/2000	Buckle	D13/103
D453,572	S *	2/2002	Livecchi	D24/224
D480,498	S *	10/2003	McBride	D26/113
6,830,058	B2	12/2004	Li	
6,923,058	B2	8/2005	Nieman et al.	
7,000,624	B2	2/2006	Chang	

7,013,903	B2	3/2006	Li	
D528,502	S *	9/2006	Fleetwood	D13/103
D535,945	S *	1/2007	Towler	D13/119
D546,762	S *	7/2007	Kovacs	D13/134
7,562,667	B2	7/2009	Li	
D604,896	S *	11/2009	Chen et al.	D26/142
D631,438	S *	1/2011	Yokoyama et al.	D13/122
D643,971	S *	8/2011	Yamamoto et al.	D26/138
D668,443	S	10/2012	Sims, II	
8,360,079	B2	1/2013	Li	
D683,899	S *	6/2013	Liu	D27/189
8,530,066	B2 *	9/2013	Traulsen et al.	429/65
D695,002	S *	12/2013	Kato	D3/5

(Continued)

Primary Examiner — Sheryl Lane

Assistant Examiner — Catherine Posthauer

(74) *Attorney, Agent, or Firm* — Aka Chan LLP

(57) **CLAIM**

The ornamental design for a battery housing for an umbrella, as shown and described.

DESCRIPTION

FIG. 1 shows a perspective view of a battery housing for an umbrella.

FIG. 2 shows a first side view of FIG. 1.

FIG. 3 shows a second side view of FIG. 1, rotated 1/2 of a turn relative to the first side view in FIG. 2.

FIG. 4 shows a third side view of FIG. 1, rotated 1/4 of a turn clockwise relative to the first side view in FIG. 2.

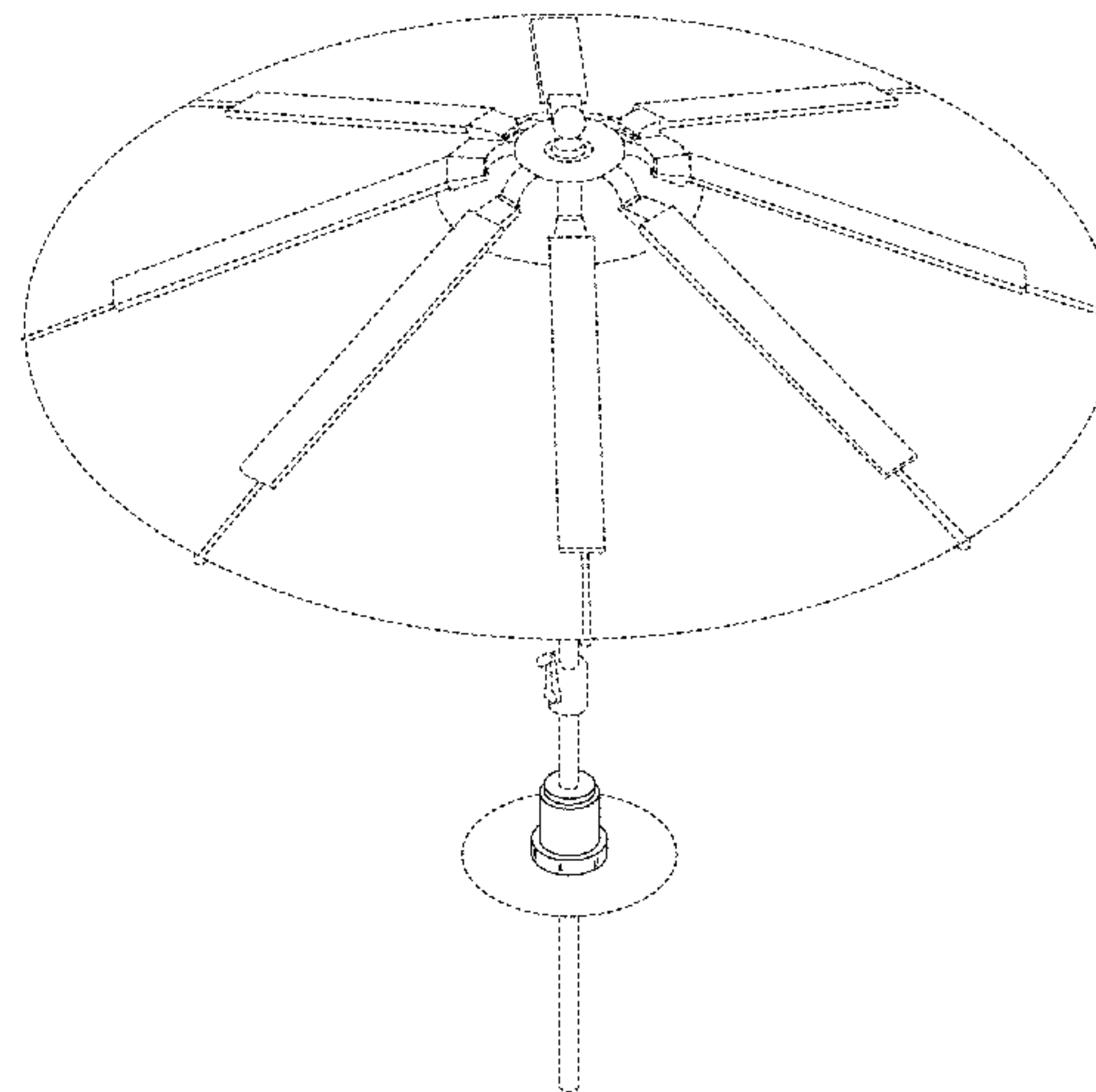
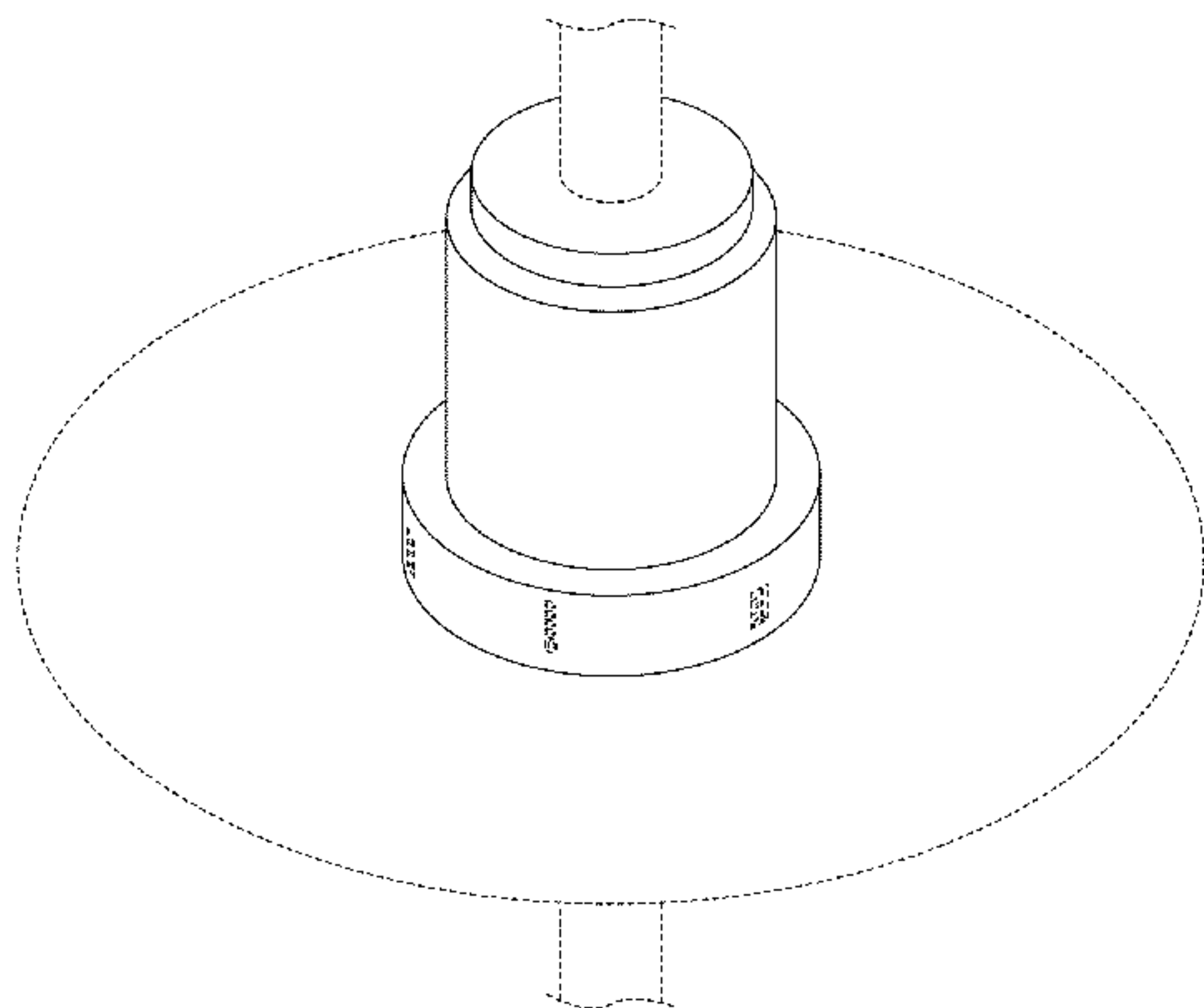
FIG. 5 shows a fourth side view of FIG. 1, rotated 1/4 of a turn counterclockwise relative to the first side view in FIG. 2.

FIG. 6 shows a top view of FIG. 1; and,

FIG. 7 shows a perspective view of FIG. 1 in use with an umbrella.

The broken line features on the battery housing represent portions of the article and form no part of the claimed design. All remaining broken lines including the pole, table, and umbrella head represent environment and form no part of the claimed design.

1 Claim, 7 Drawing Sheets



(56)

References Cited

U.S. PATENT DOCUMENTS

D709,643 S *	7/2014	Kohler et al.	D26/138	2005/0196665 A1 *	9/2005	Shimizu et al.	429/99
D720,289 S *	12/2014	Chiang et al.	D13/108	2011/0143178 A1 *	6/2011	Ahn	429/94
D720,688 S *	1/2015	Popper et al.	D13/103	2011/0232704 A1 *	9/2011	Li	135/16
2005/0133077 A1 *	6/2005	Zerillo	135/20.3	2012/0060361 A1 *	3/2012	Reis	29/623.5
				2012/0219849 A1 *	8/2012	Kim	429/174
				2013/0224545 A1 *	8/2013	Yoon et al.	429/94

* cited by examiner

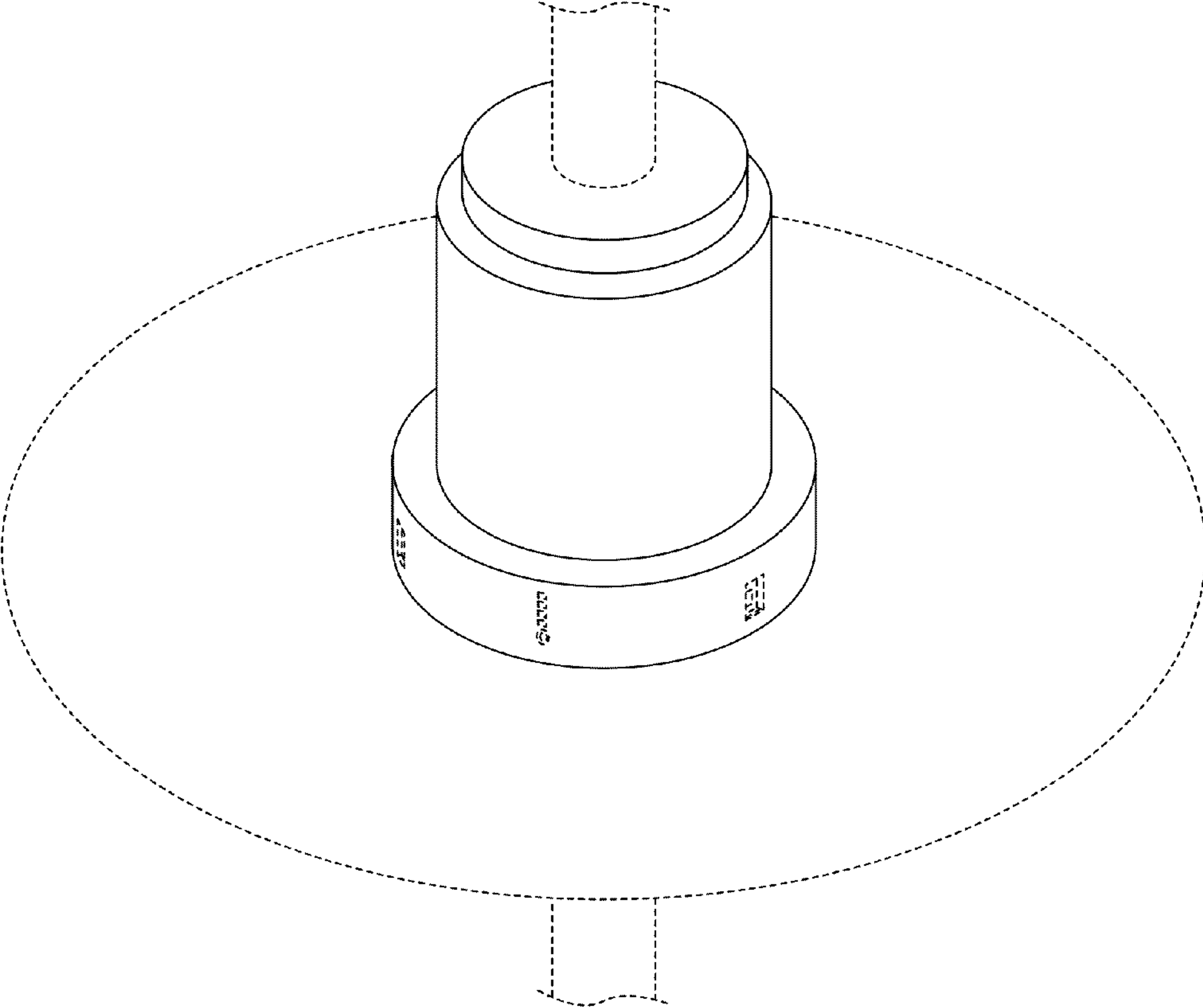


FIG. 1

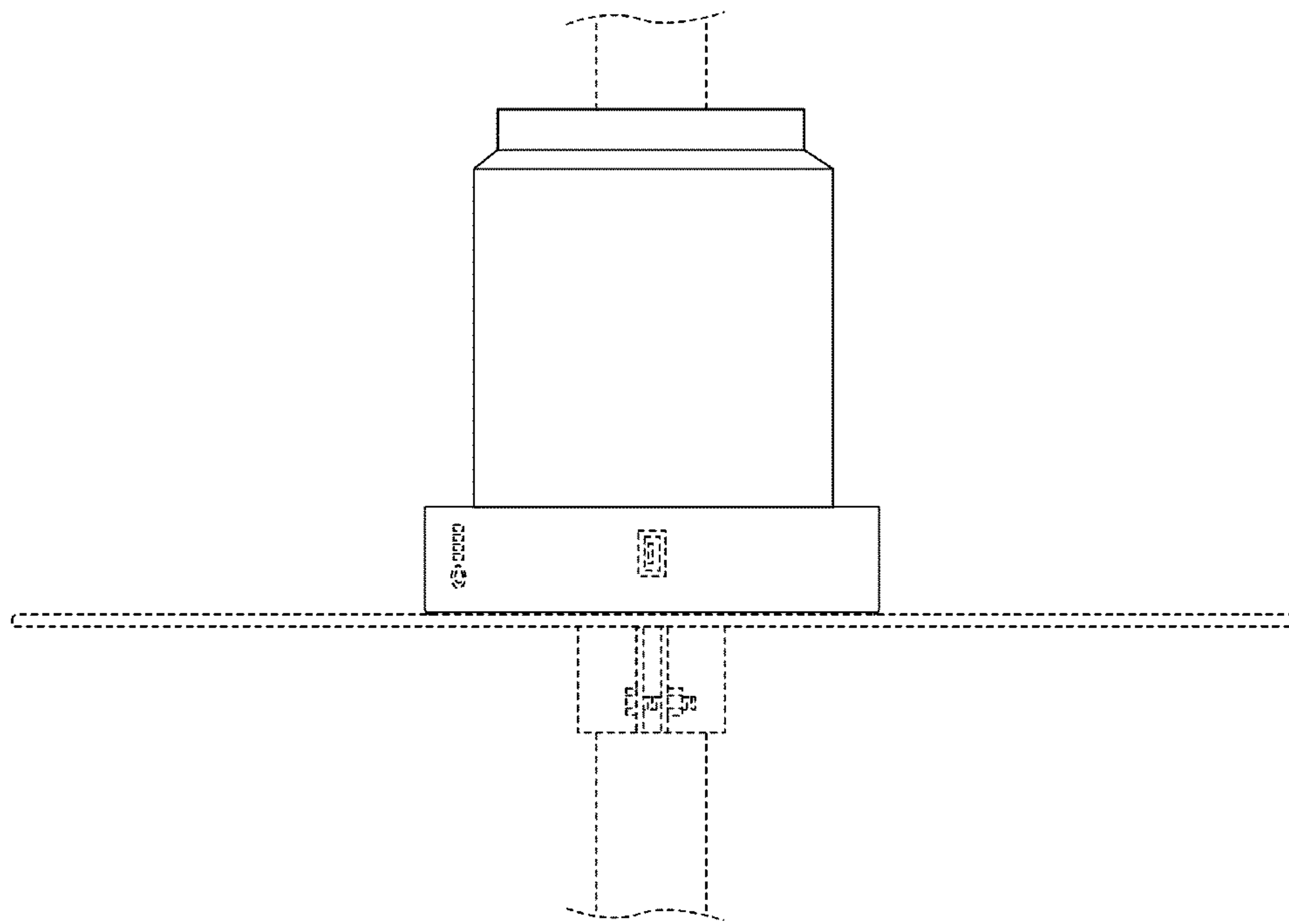


FIG. 2

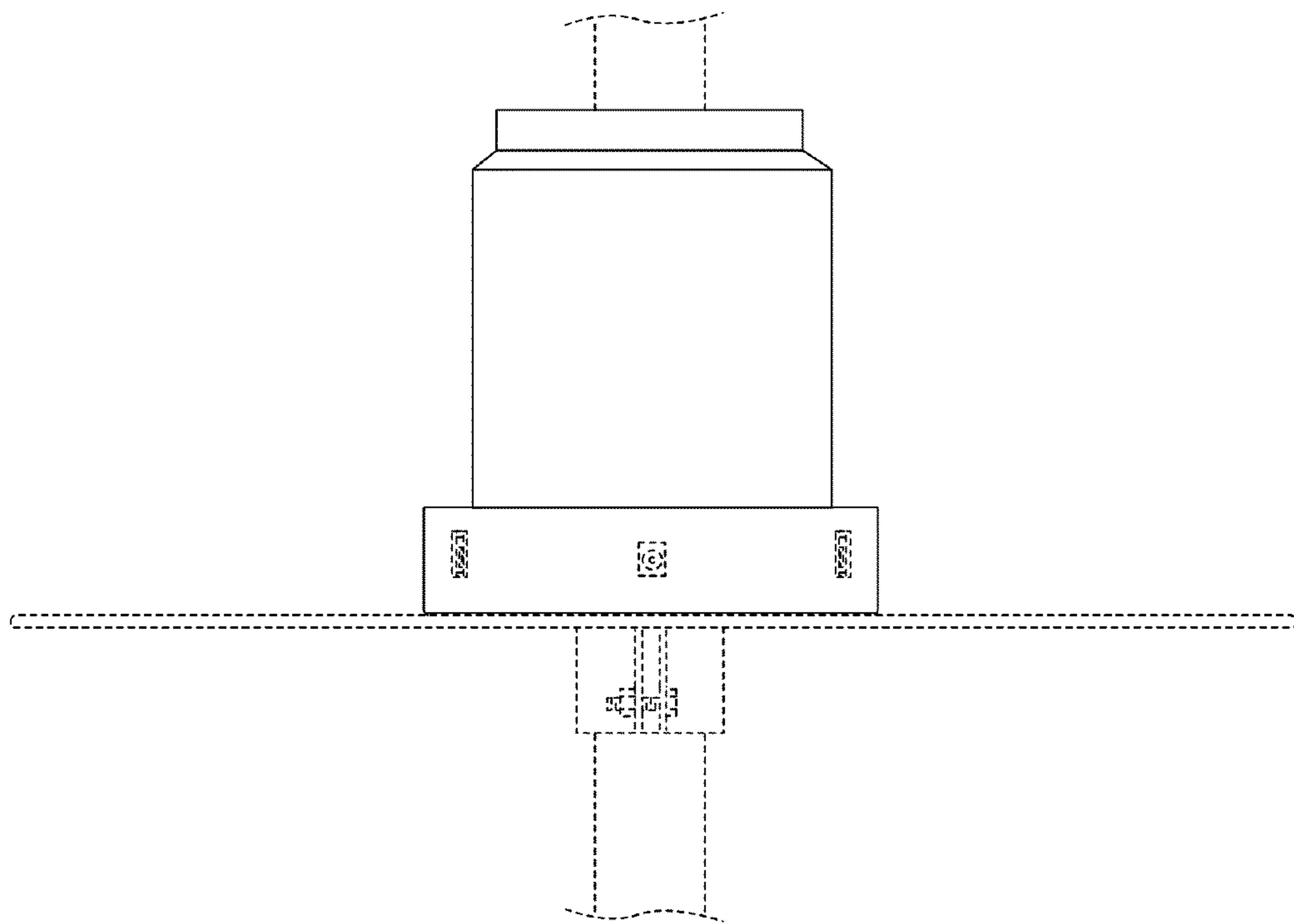


FIG. 3

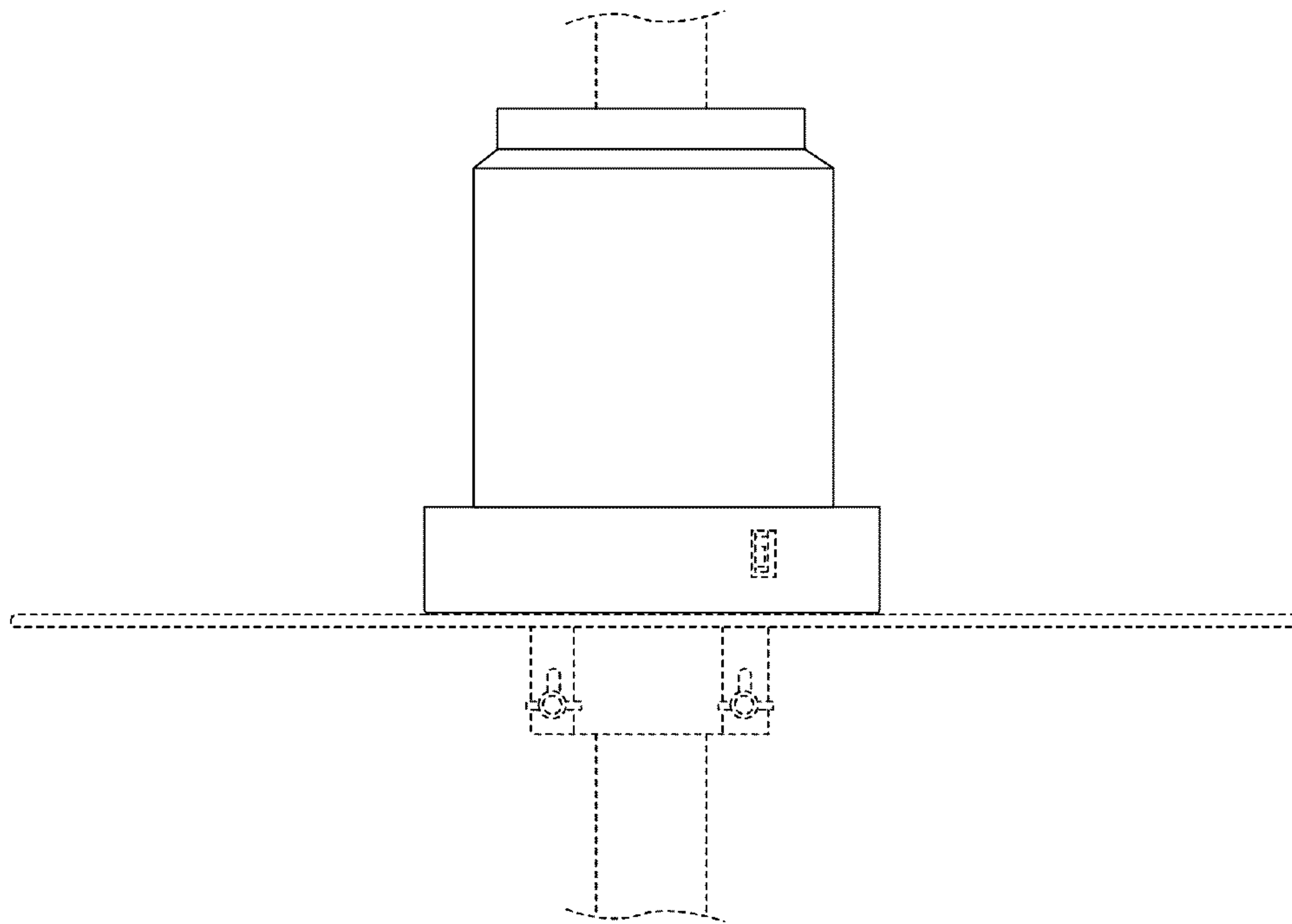


FIG. 4

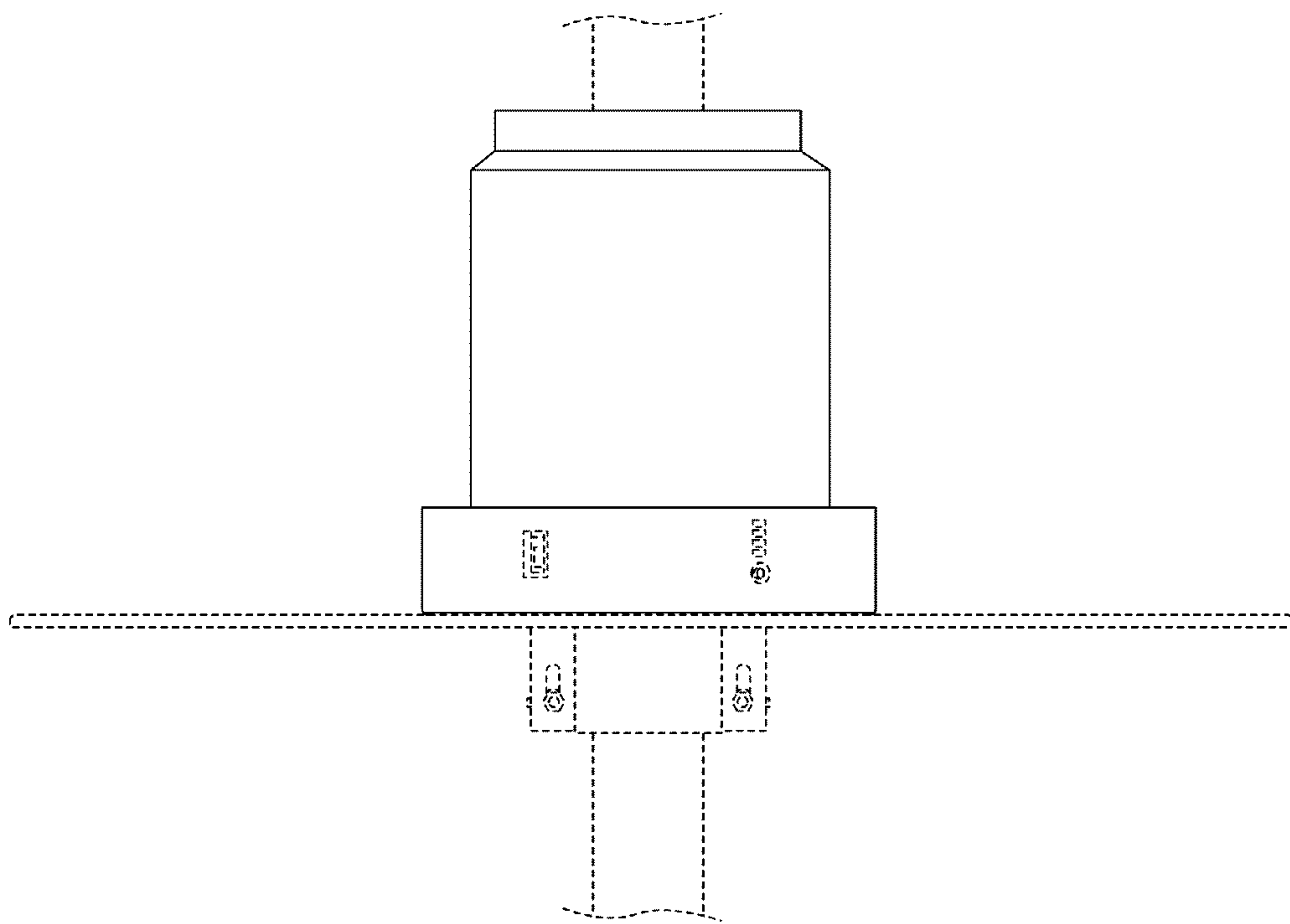


FIG. 5

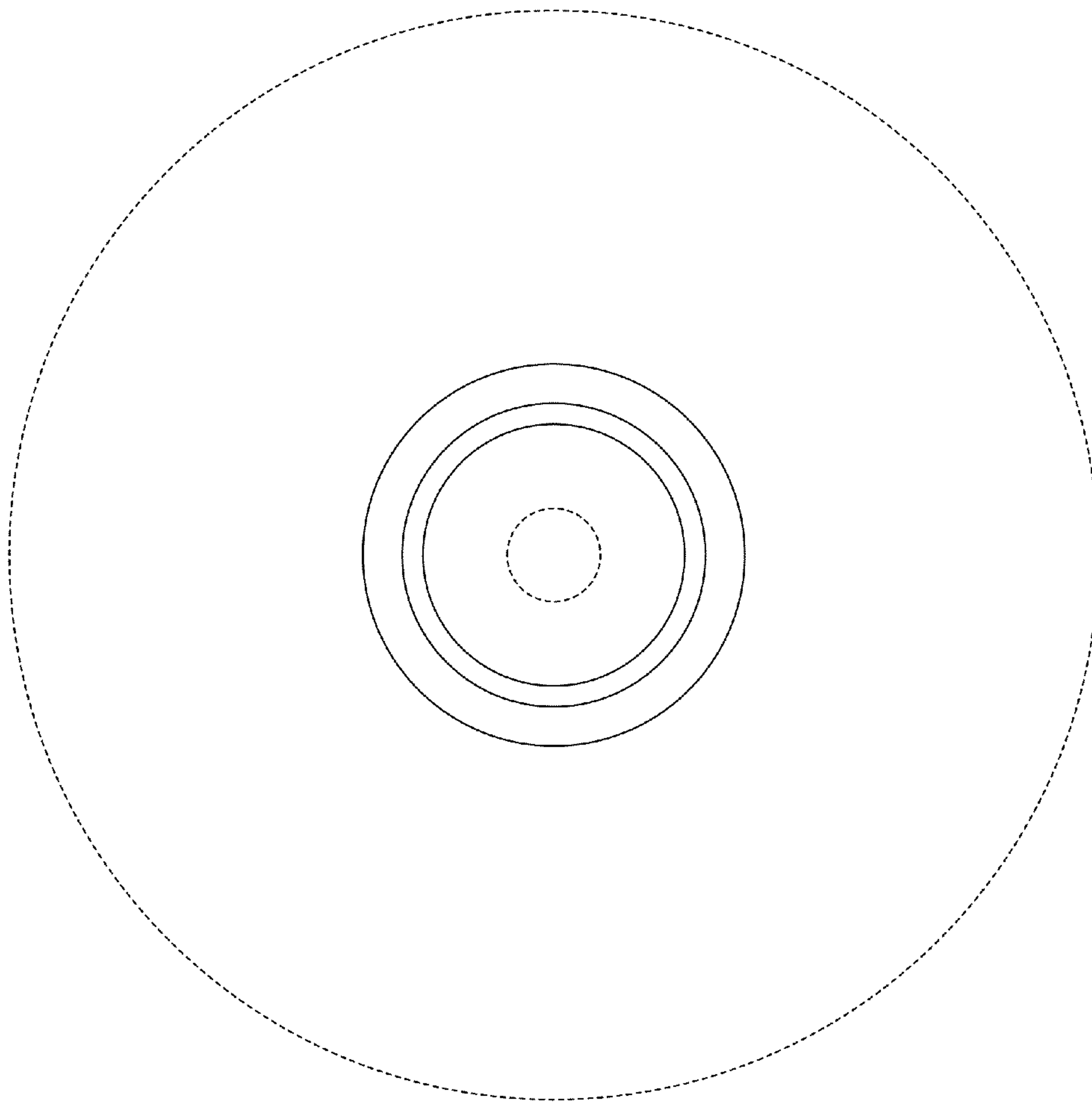


FIG. 6

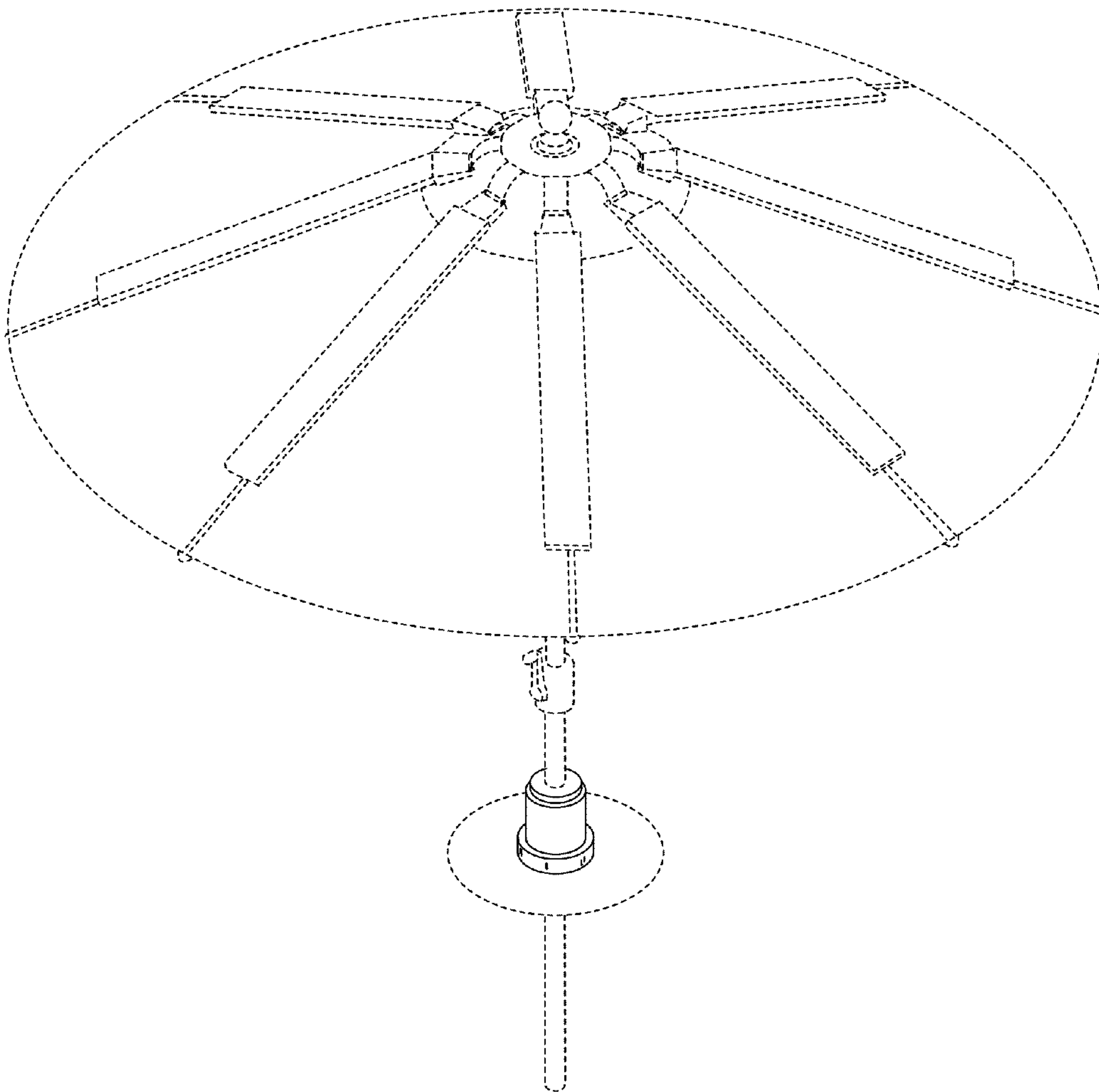


FIG. 7