



US00D735449S

(12) **United States Design Patent**  
**Perna et al.**

(10) **Patent No.:** **US D735,449 S**  
(45) **Date of Patent:** **\*\* Aug. 4, 2015**

(54) **CAP BRIM MOUNTED SUPPORT DEVICE FOR MASCOT**

(71) Applicants: **Michael Brant Perna**, Pompono Beach, FL (US); **Scott C. Bassler**, Fort Lauderdale, FL (US)

(72) Inventors: **Michael Brant Perna**, Pompono Beach, FL (US); **Scott C. Bassler**, Fort Lauderdale, FL (US)

(\*\*) Term: **14 Years**

(21) Appl. No.: **29/470,133**

(22) Filed: **Oct. 17, 2013**

(51) **LOC (10) Cl.** ..... **02-03**

(52) **U.S. Cl.**  
USPC ..... **D2/891**

(58) **Field of Classification Search**  
USPC ..... D2/865, 866, 867, 868, 869, 872, 873, D2/877, 882, 891, 893, 895, 999; 2/171, 2/175.1, 175.2, 195.1, 209.11, 209.12, 2/209.13, 244; 24/3.12, 326, 457, 458; 351/155; 362/105, 106  
CPC ..... A42B 1/00; A42B 1/004; A42B 1/244; A42B 1/24; A45F 5/02  
See application file for complete search history.

(56) **References Cited**

**U.S. PATENT DOCUMENTS**

D364,033	S	*	11/1995	Romano	.....	D2/894
D391,040	S	*	2/1998	Berke	.....	D2/891
5,781,934	A	*	7/1998	Pauley, Jr.	.....	2/209.13
D407,537	S	*	4/1999	Simpson	.....	D2/891
5,908,146	A	*	6/1999	Levin	.....	223/84
D411,756	S	*	7/1999	Land	.....	D2/866
D413,009	S	*	8/1999	Yeh	.....	D2/876

(Continued)

*Primary Examiner* — Karen E. Eldridge Powers

*Assistant Examiner* — Jasmine Mlinarcik

(74) *Attorney, Agent, or Firm* — Nancy J. Flint, Esq.; Nancy J. Flint, Attorney at Law, P.A.

(57) **CLAIM**

The ornamental design for a cap brim mounted support device for mascot, as shown and described.

**DESCRIPTION**

FIG. 1 is a front perspective view of a first embodiment of a cap brim mounted support device for mascot showing our new design;

FIG. 2 is a top plan view of the first embodiment of a cap brim mounted support device for a mascot;

FIG. 3 is a bottom plan view of the first embodiment of a cap brim mounted support device for mascot;

FIG. 4 is a front elevation view of the first embodiment of a cap brim mounted support device;

FIG. 5 is a left side elevation view of the first embodiment of a cap brim mounted support device;

FIG. 6 is a rear elevation view of the first embodiment of a cap brim mounted support device;

FIG. 7 is a top perspective view of the first embodiment of a cap brim mounted support device for mascot as mounted on the brim of a cap with a mascot mounted on the support device;

FIG. 8 is a front perspective view of a second embodiment of a cap brim mounted support device for mascot;

FIG. 9 is a top plan view of the second embodiment of a cap brim mounted support device for mascot;

FIG. 10 is a bottom plan view of the second embodiment of a cap brim mounted support device for mascot;

FIG. 11 is a front elevation view of the second embodiment of a cap brim mounted support device for mascot;

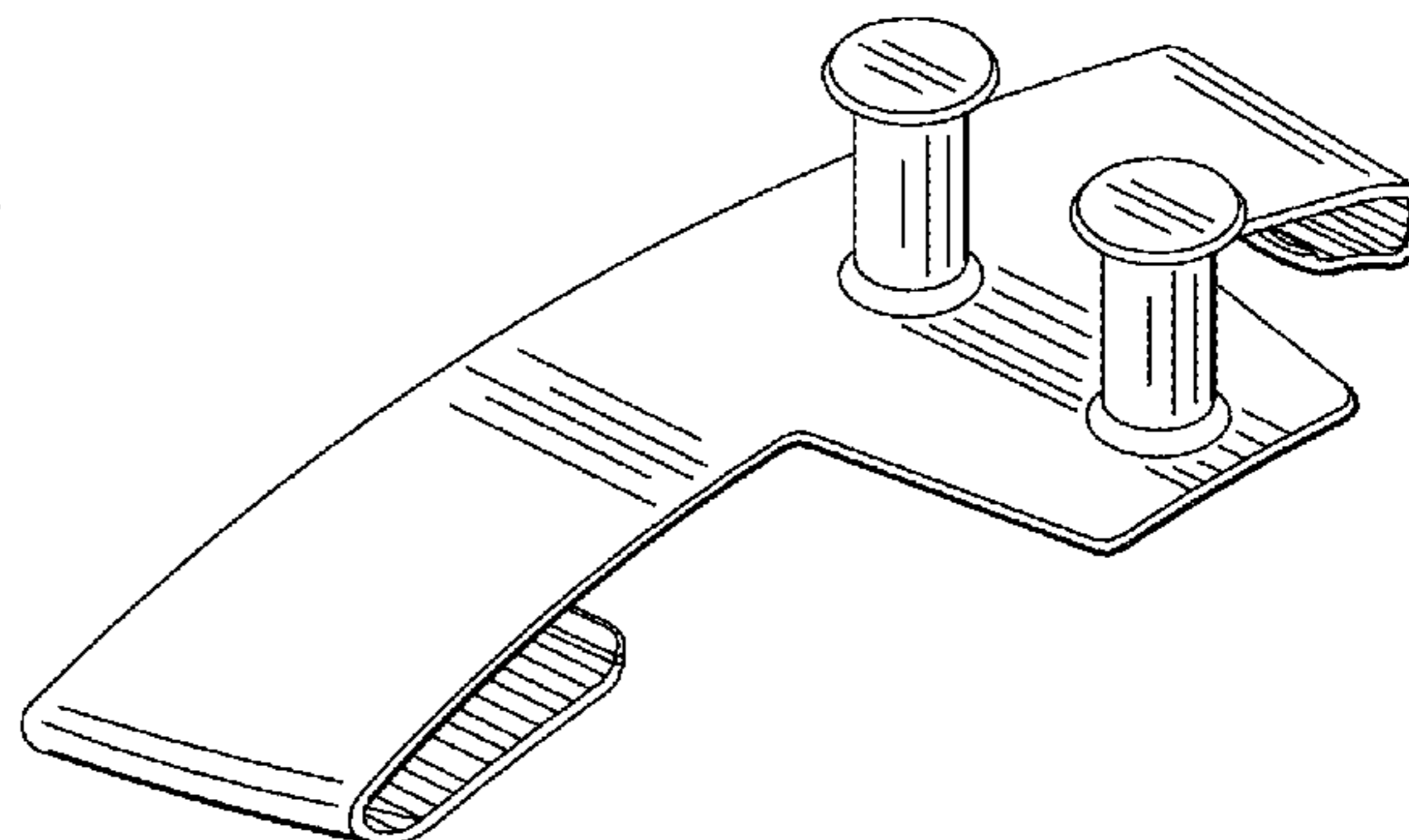
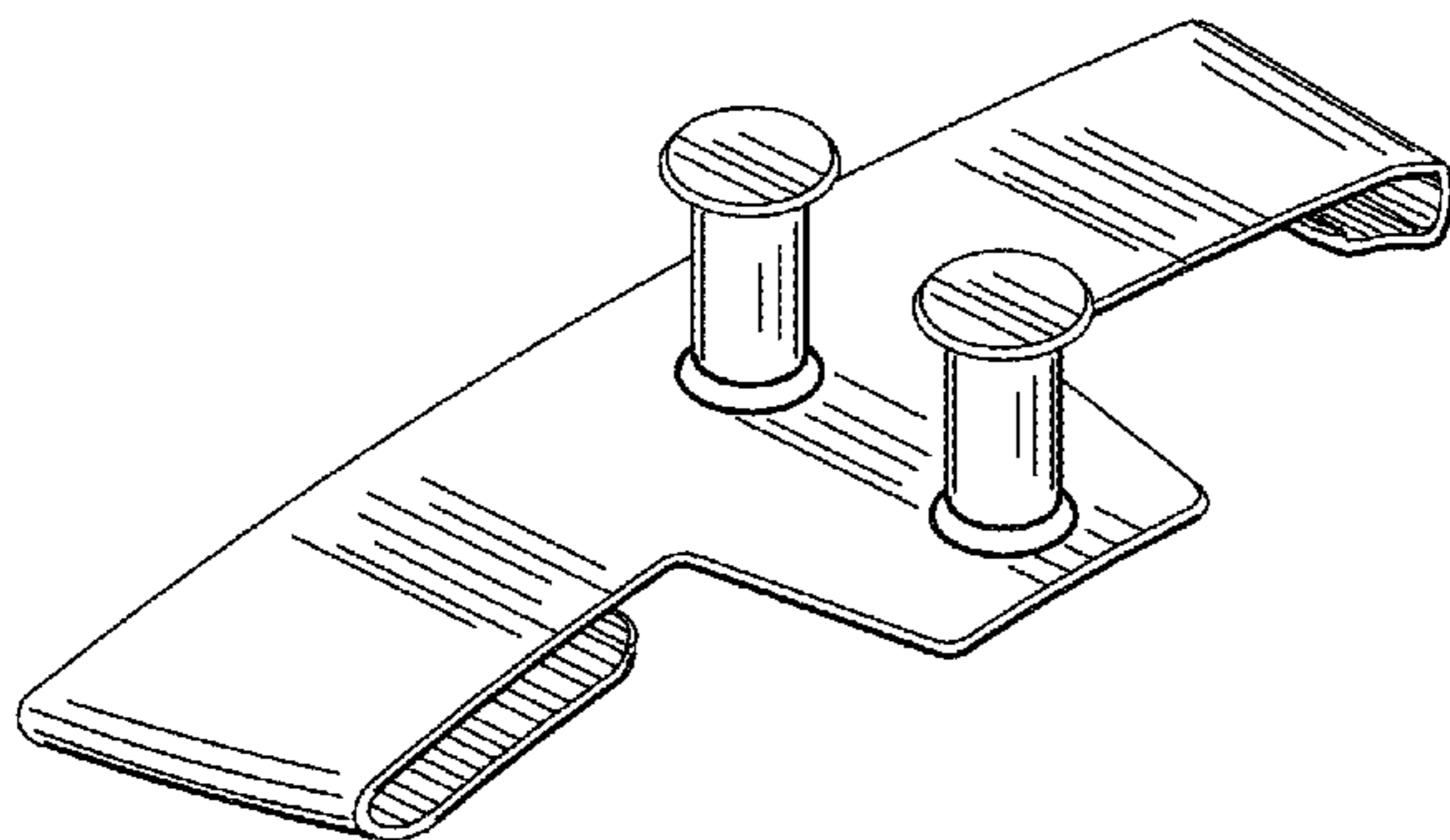
FIG. 12 is a left side elevation view of the second embodiment of a cap brim mounted support device for mascot;

FIG. 13 is a right side elevation view of the second embodiment of a cap brim mounted support device for mascot; and,

FIG. 14 is a rear elevation view of the second embodiment of a cap brim mounted support device for mascot.

Right side views not shown are mirror images of left side views. Any broken lines illustrative of environmental structure in the drawings are not part of the design sought to be patented.

**1 Claim, 5 Drawing Sheets**



(56)

**References Cited**

U.S. PATENT DOCUMENTS

6,457,218	B1 *	10/2002	Lawrence	.....	24/563	8,381,359	B1 *	2/2013	McArdle	.....	24/3.12
D546,030	S *	7/2007	Wilson et al.	.....	D2/866	D716,183	S *	10/2014	Crooks	.....	D11/215
D561,671	S *	2/2008	Ma et al.	.....	D12/191	2006/0021111	A1 *	2/2006	Footman	.....	2/209.13
7,461,764	B2 *	12/2008	Thompson	.....	223/14	2006/0206985	A1 *	9/2006	Proctor	.....	2/209.13
D589,686	S *	4/2009	Lowe et al.	.....	D2/877	2008/0295295	A1 *	12/2008	Rogers	.....	24/3.12
D593,729	S *	6/2009	McLaughlin	.....	D2/868	2010/0281661	A1 *	11/2010	Harada et al.	.....	24/593.11
						2011/0023214	A1 *	2/2011	Hubbard et al.	.....	2/173
						2013/0019380	A1 *	1/2013	Sitt et al.	.....	2/209.13
						2014/0331388	A1 *	11/2014	Nunan	.....	2/244

\* cited by examiner

FIG. 1

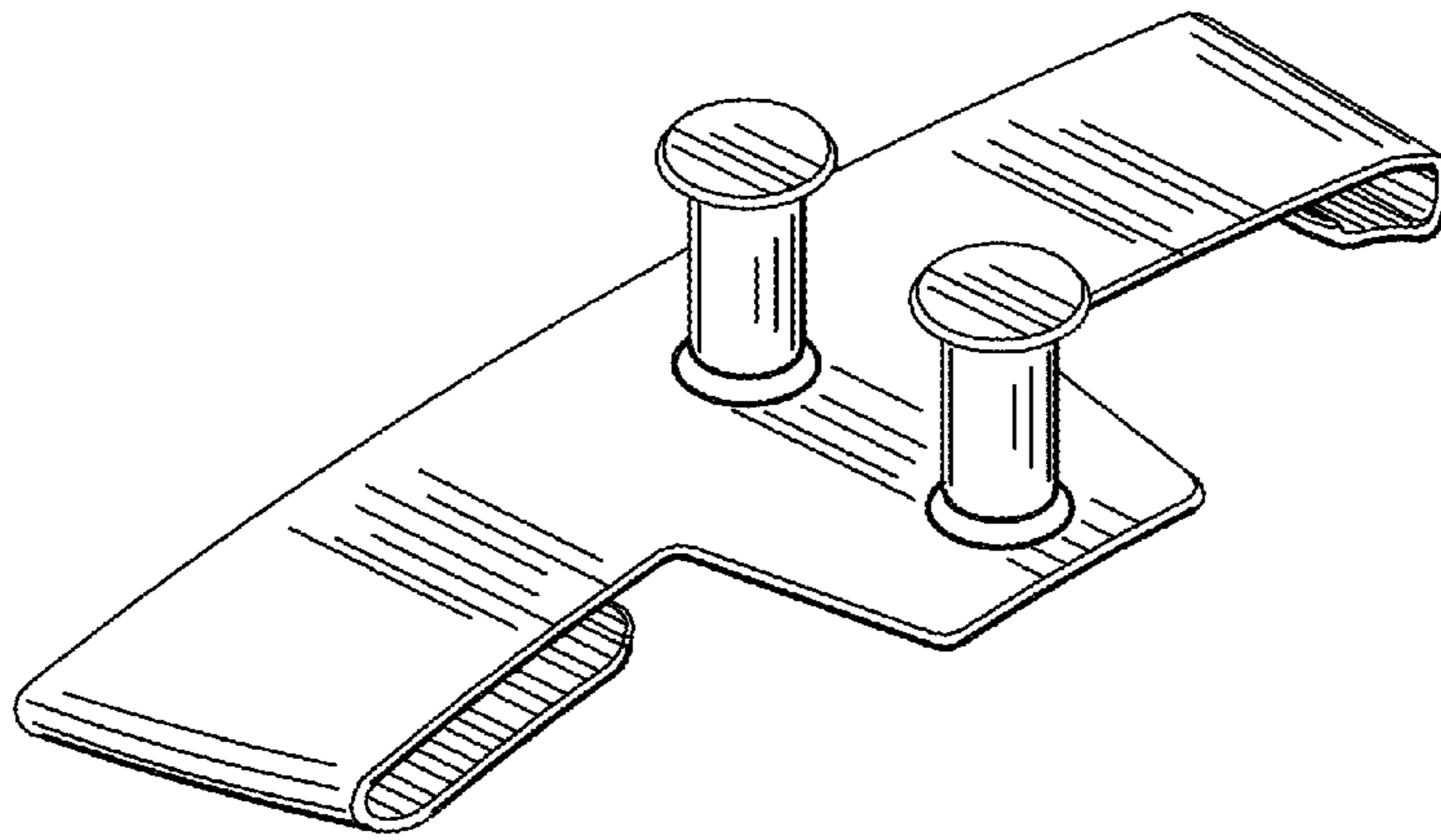


FIG. 2

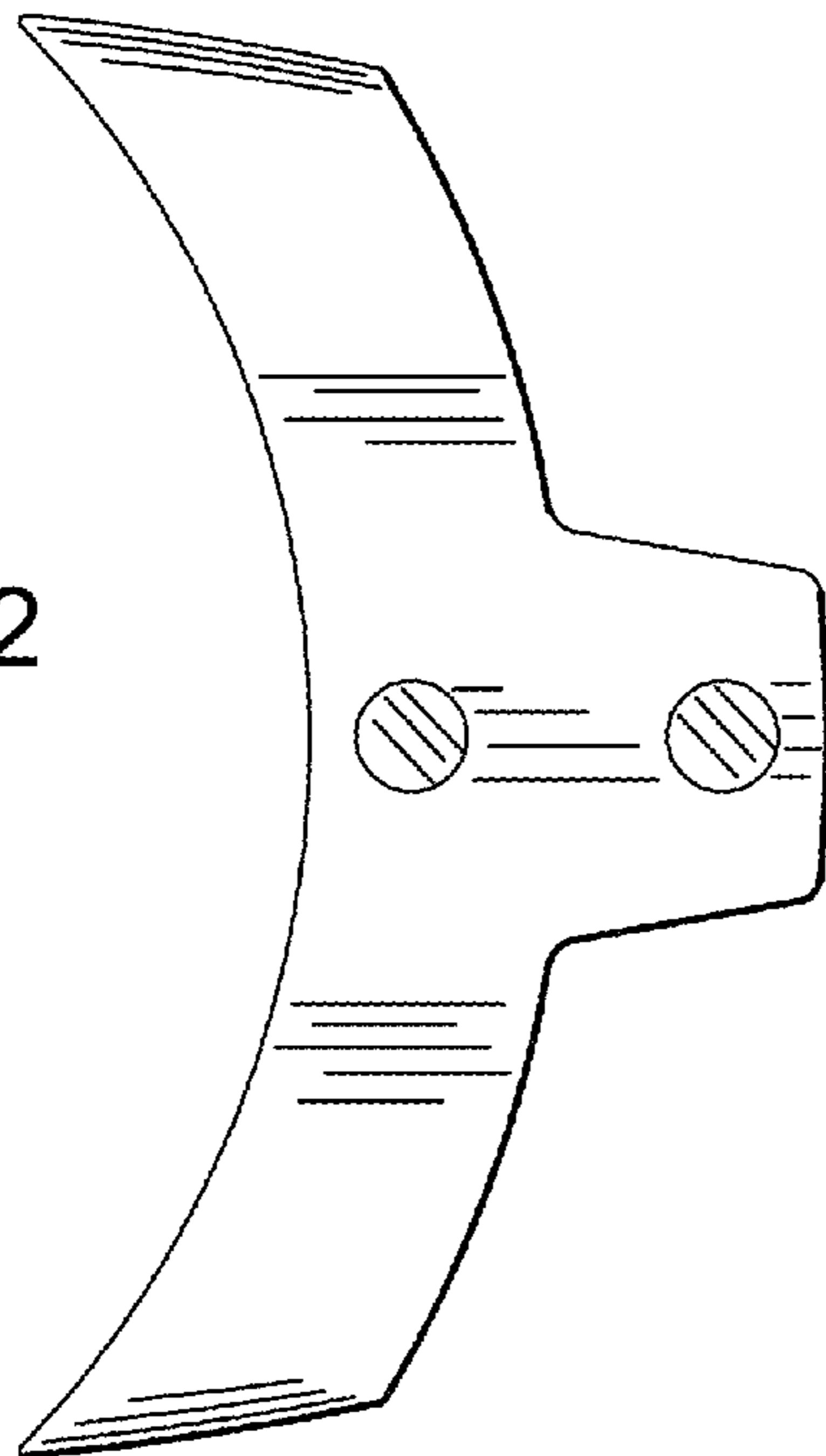


FIG. 3

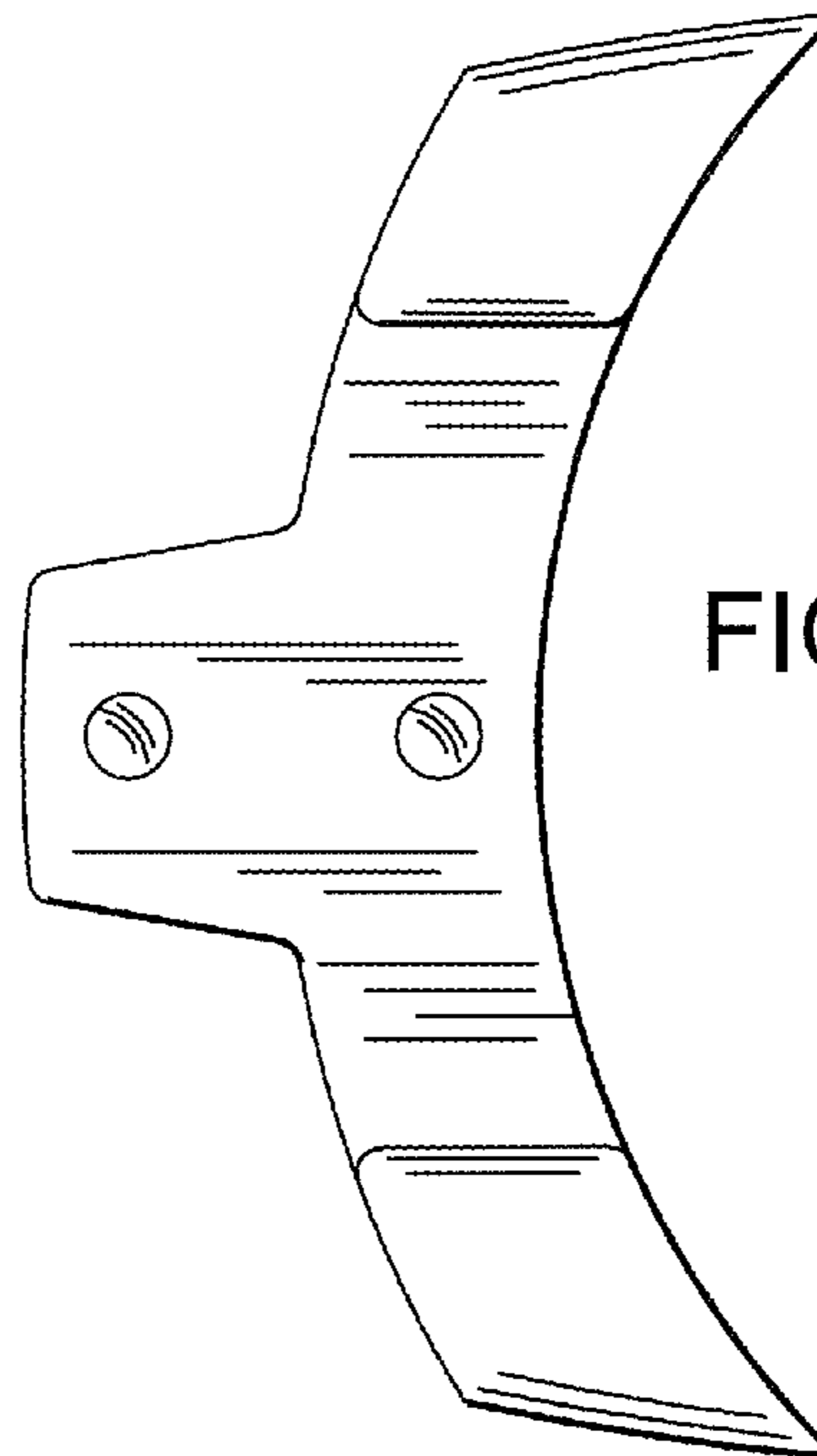


FIG. 4

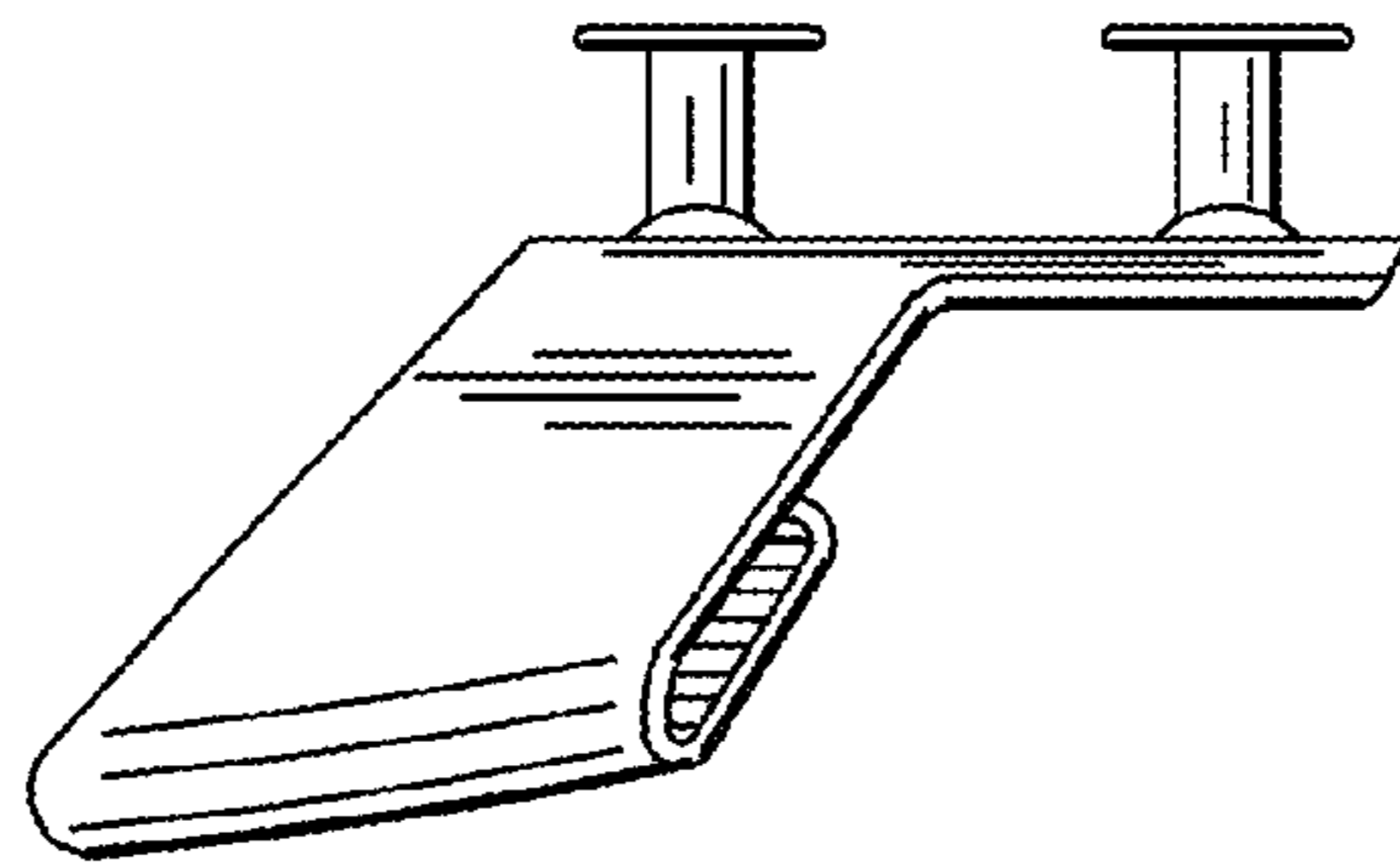
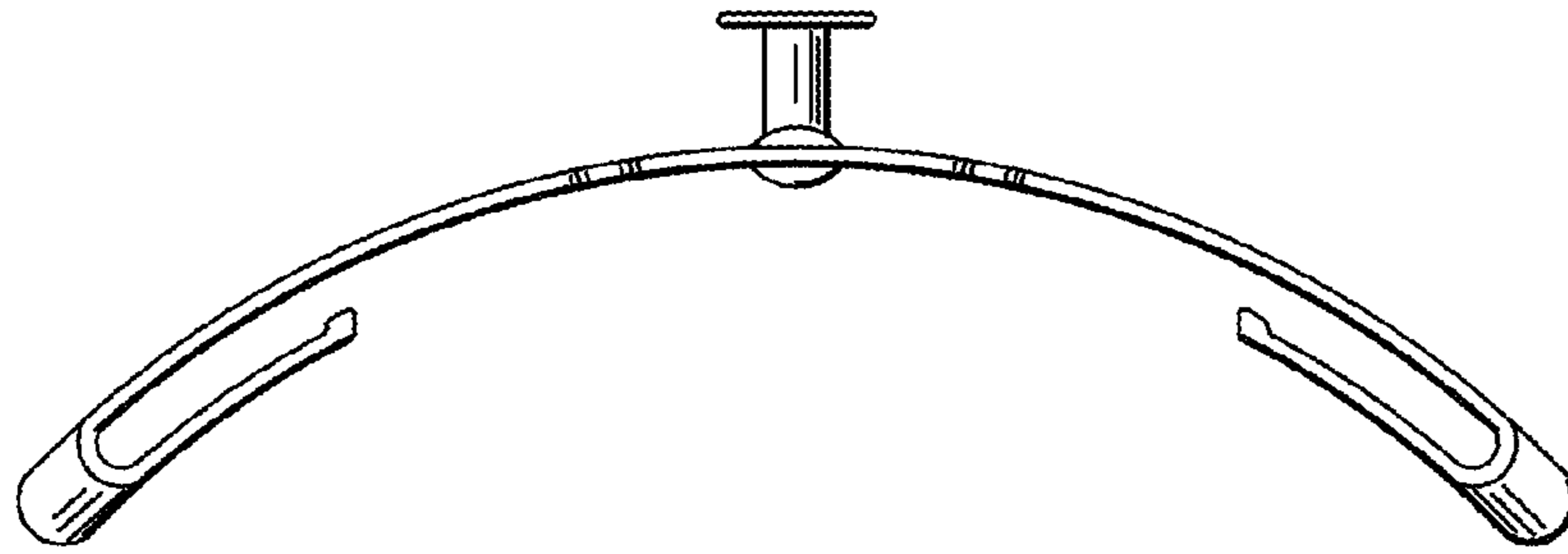


FIG. 5

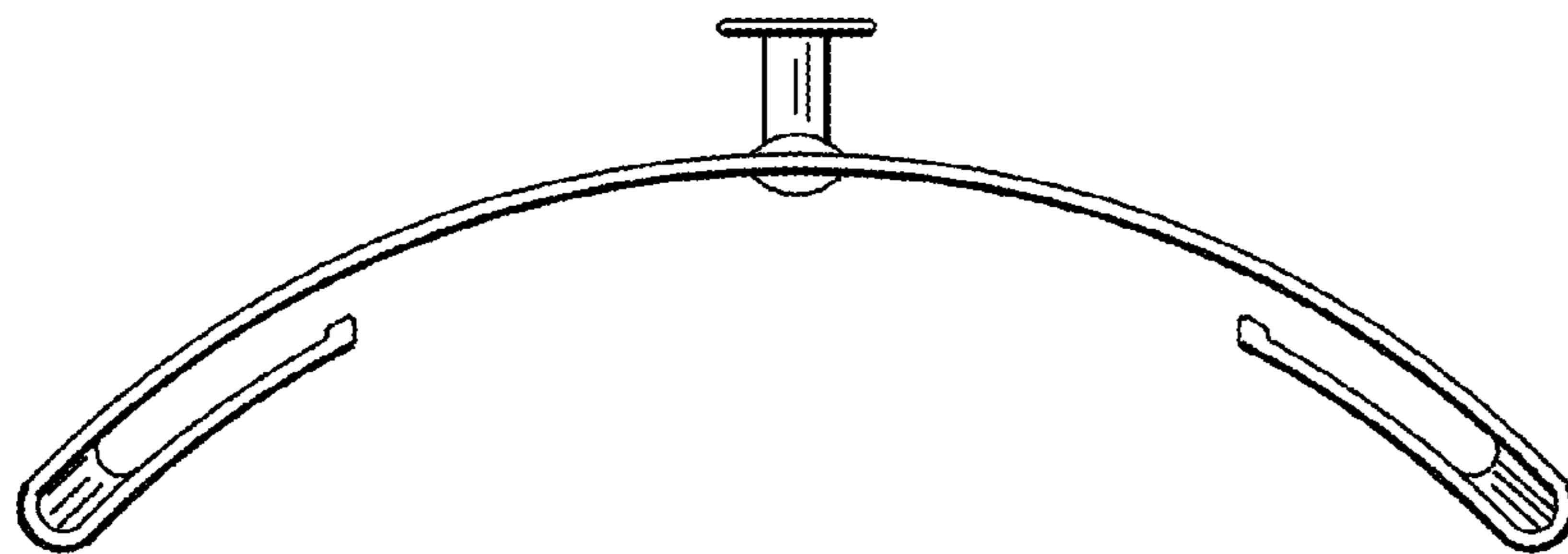


FIG. 6

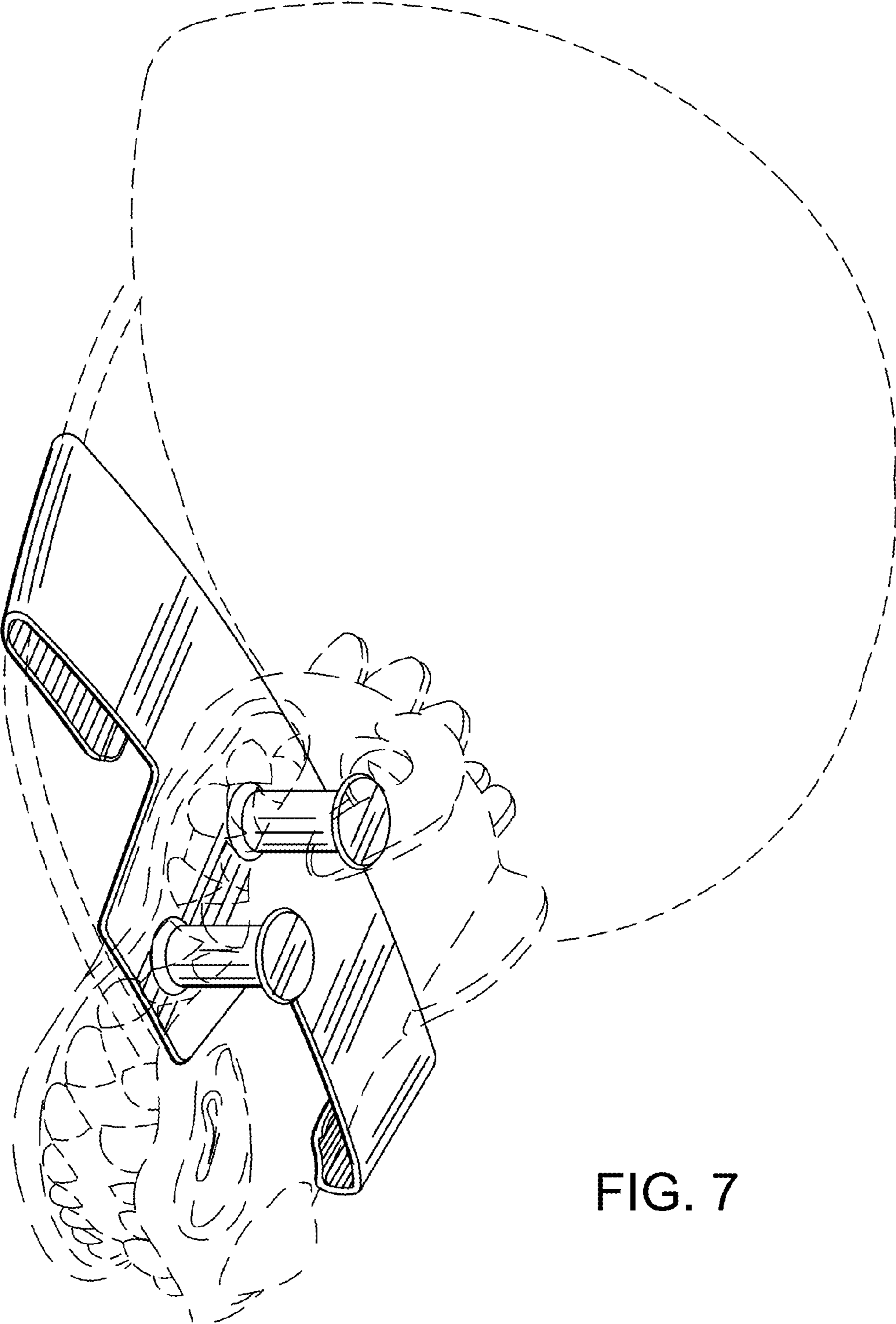


FIG. 7

FIG. 8

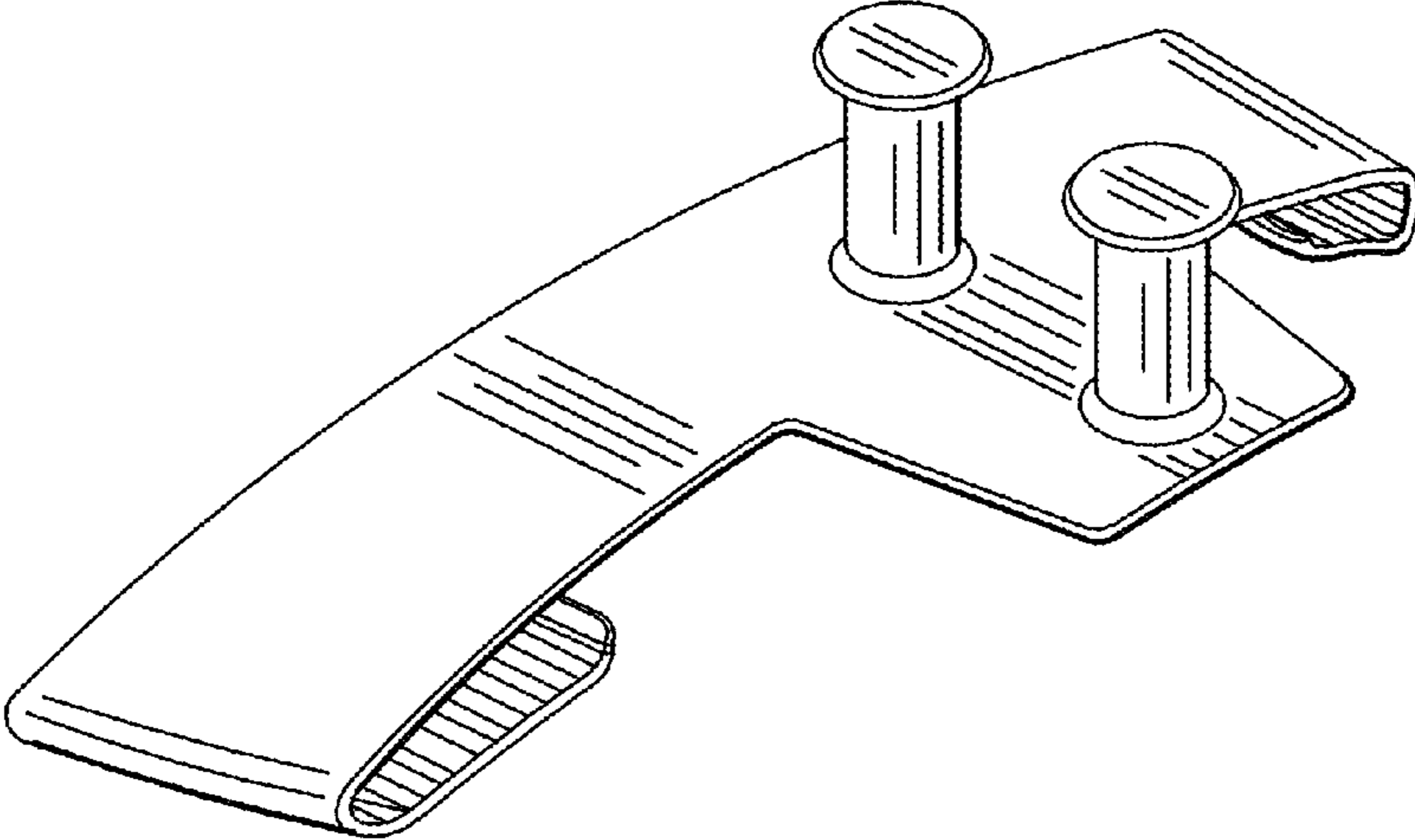


FIG. 9

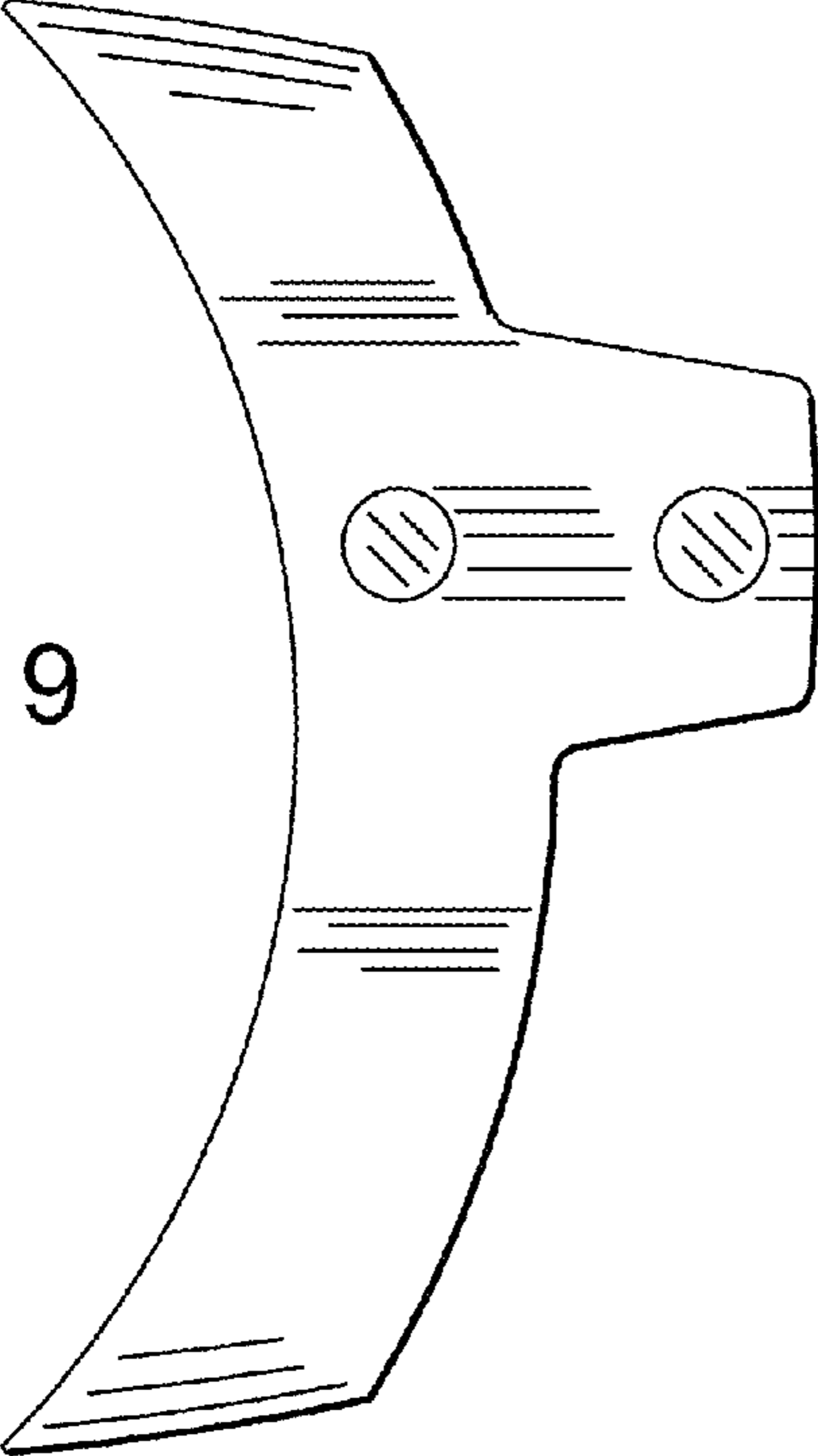


FIG. 10

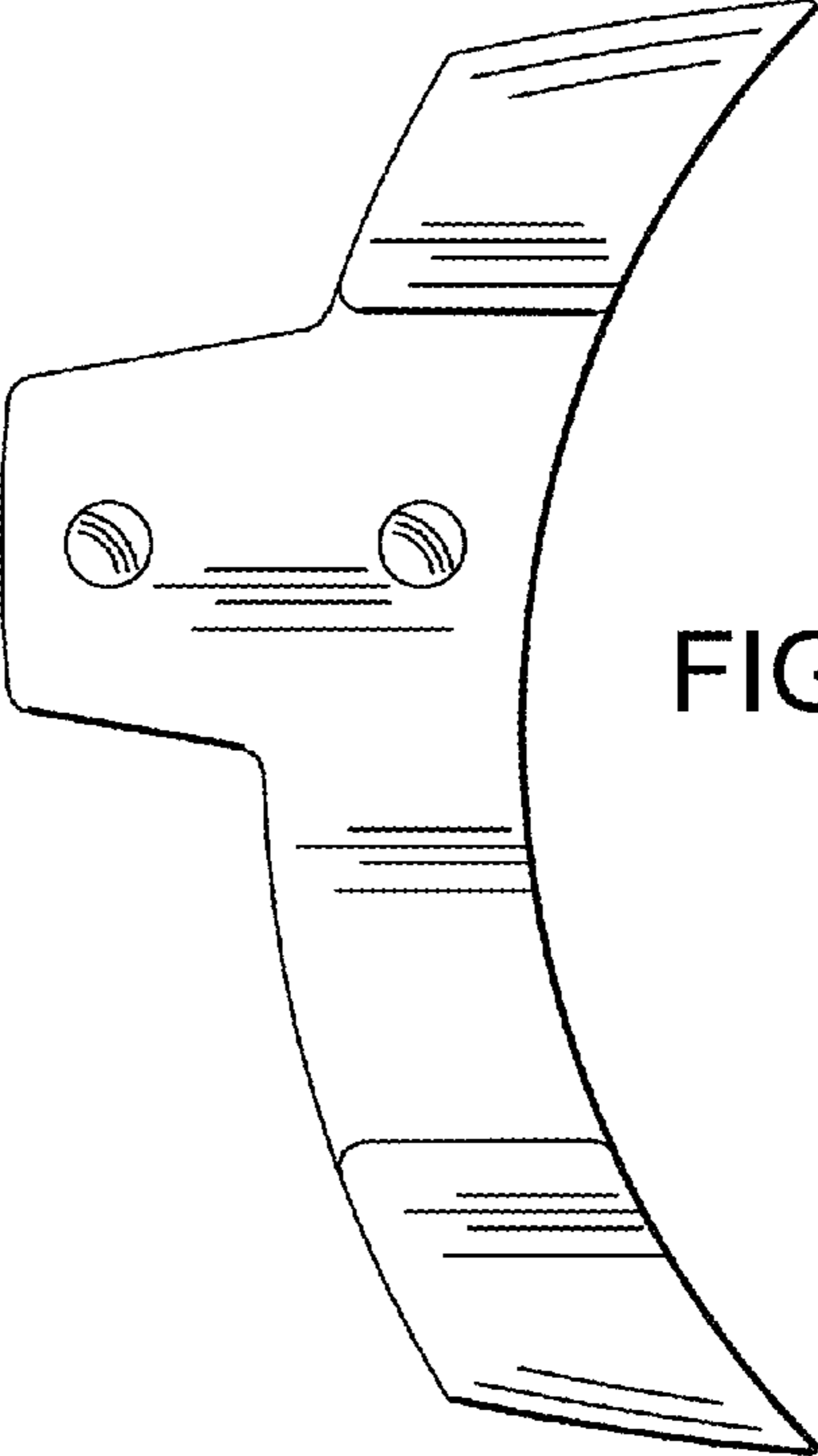


FIG. 11

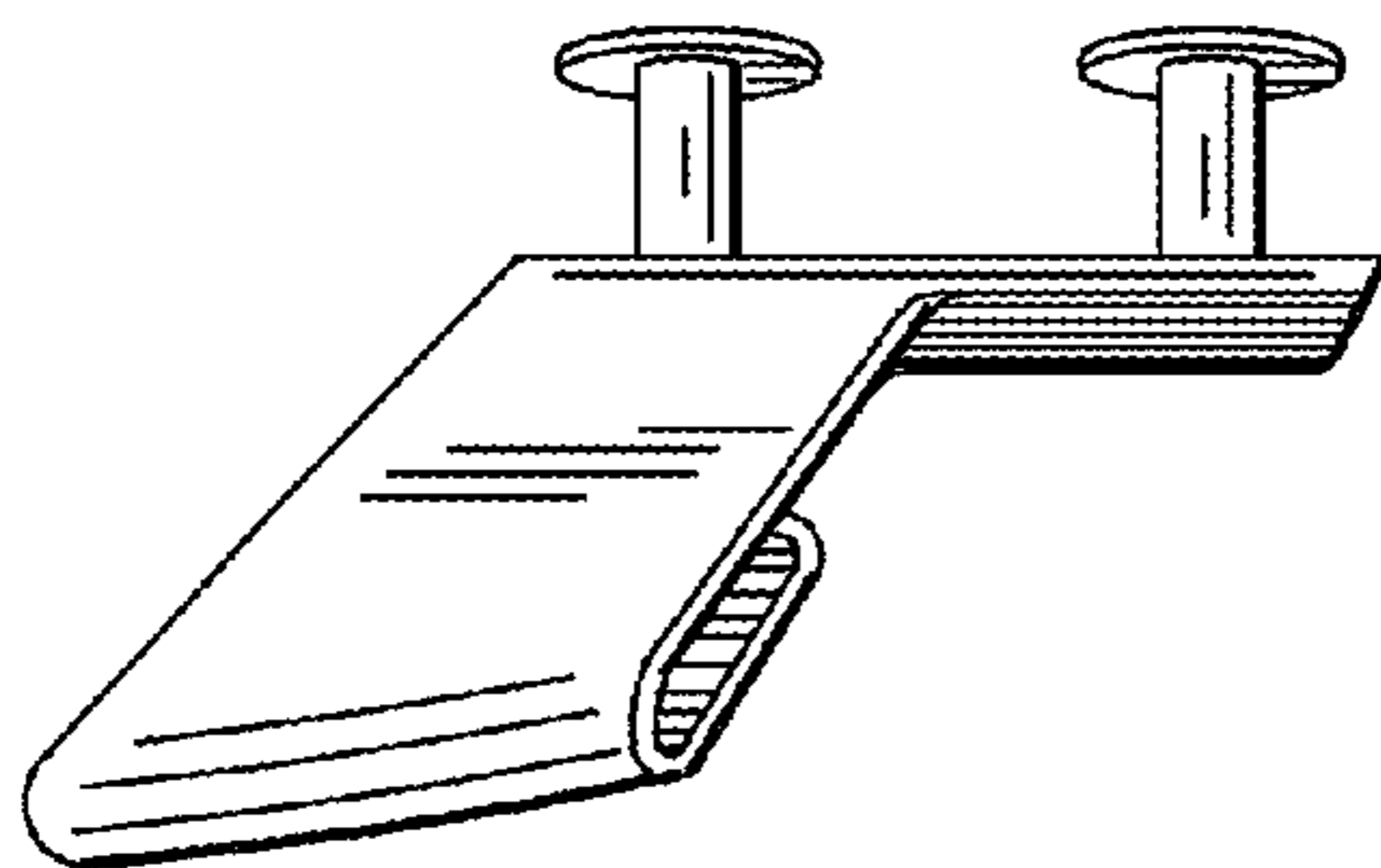
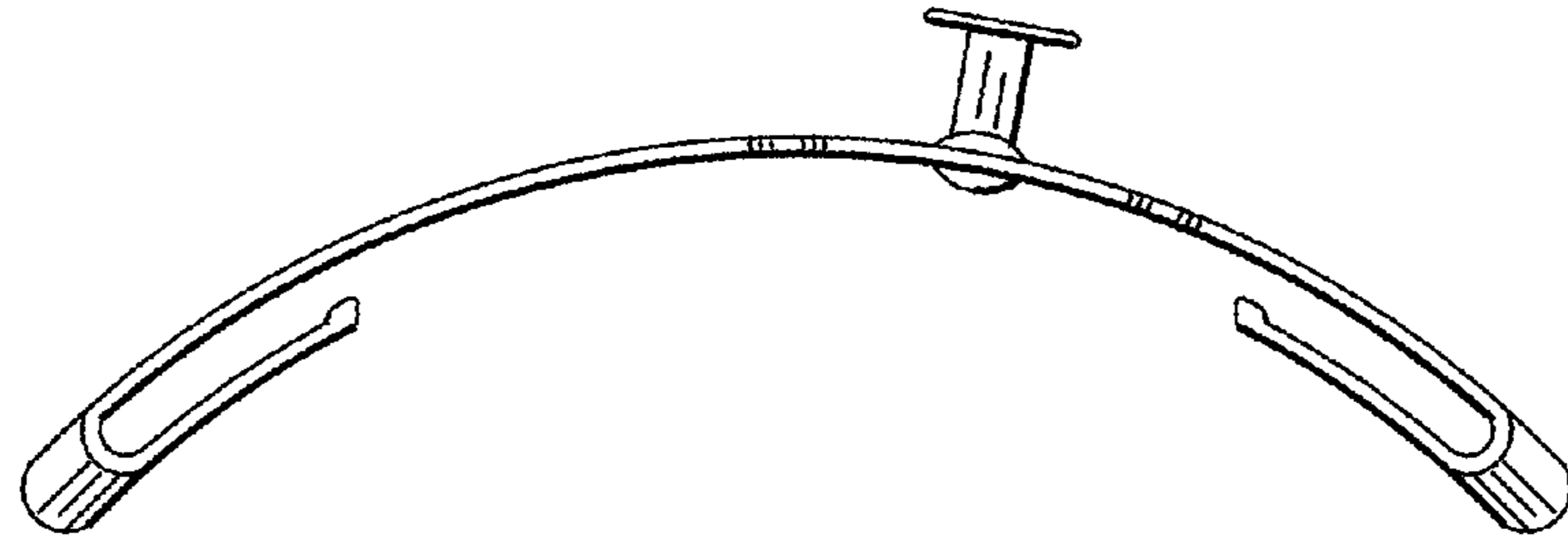


FIG. 12

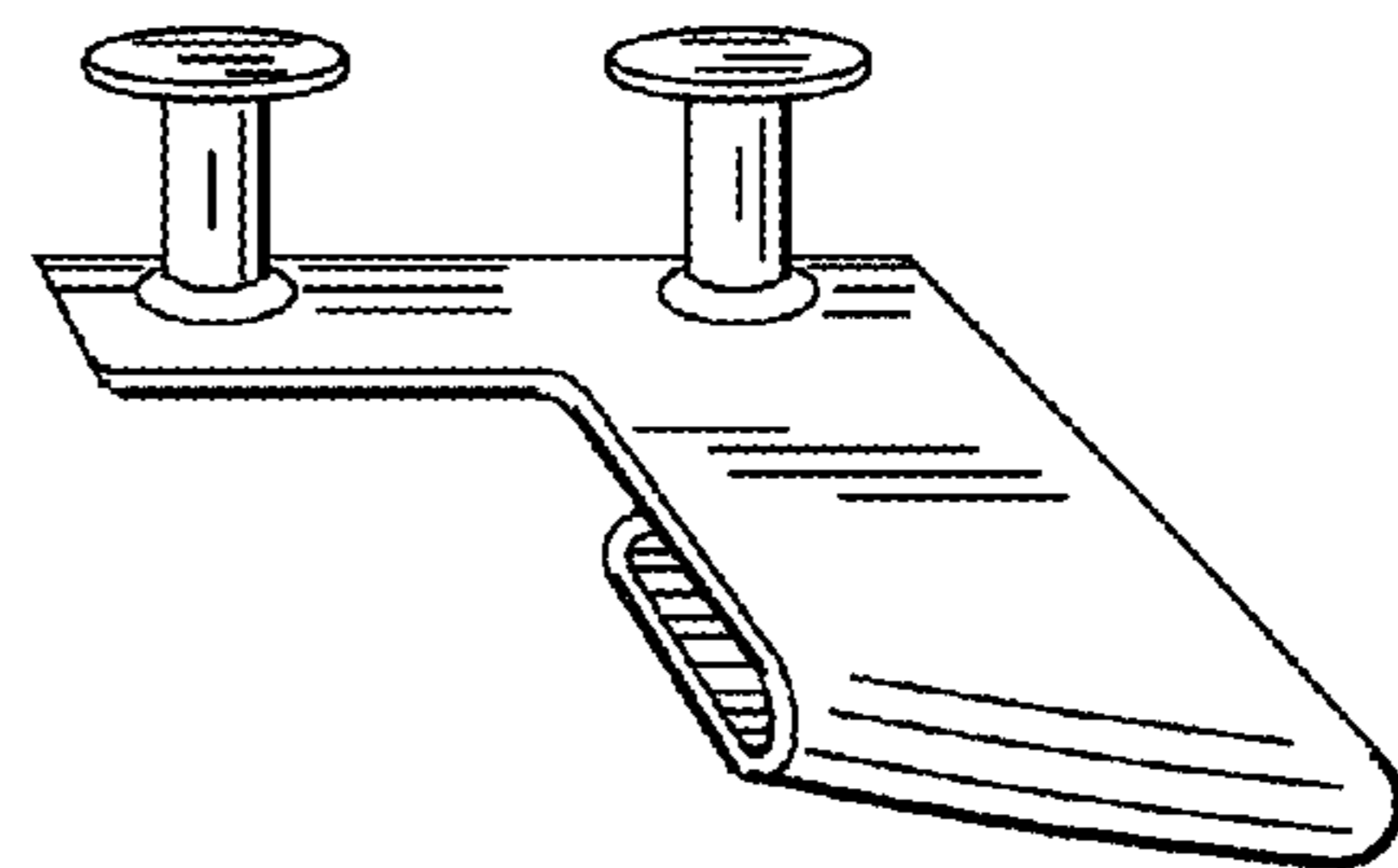


FIG. 13

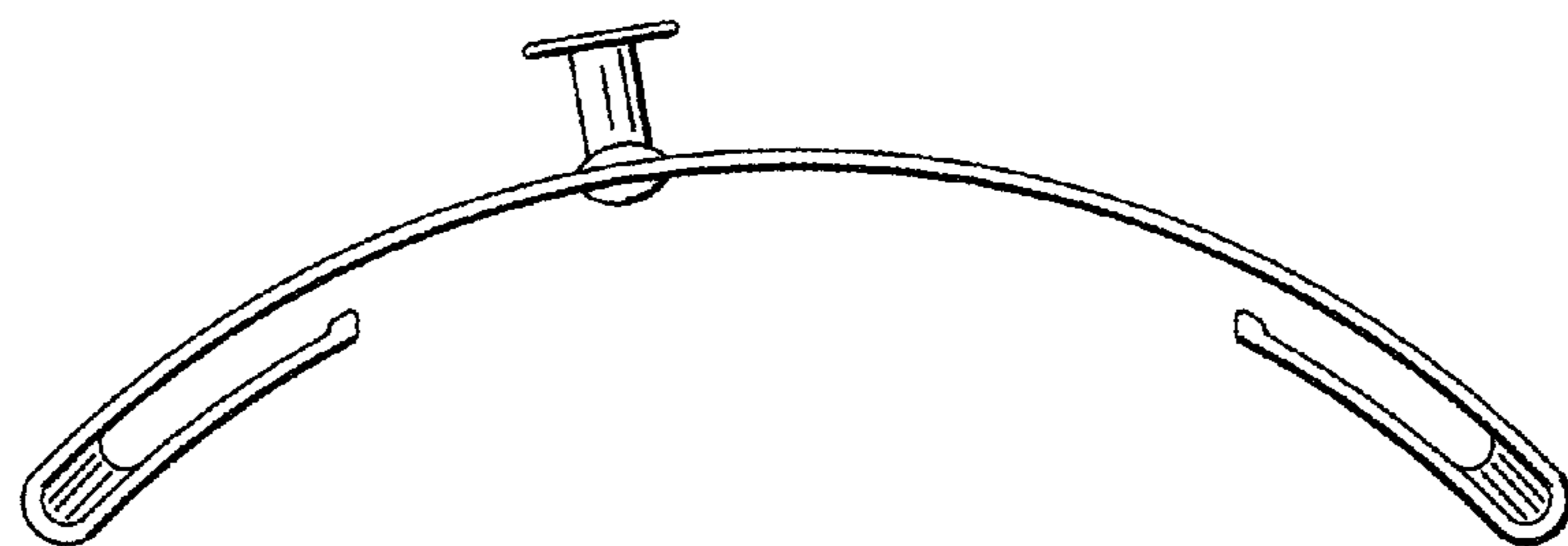


FIG. 14