



US00D735447S

(12) **United States Design Patent**  
**Brown**

(10) **Patent No.:** **US D735,447 S**

(45) **Date of Patent:** **\*\* Aug. 4, 2015**

(54) **PADDED GARMENT**

(71) Applicant: **Emma Jane Brown,**  
Stratford-upon-Avon (GB)

(72) Inventor: **Emma Jane Brown,**  
Stratford-upon-Avon (GB)

(\*\*) Term: **14 Years**

(21) Appl. No.: **29/449,269**

(22) Filed: **Mar. 14, 2013**

**Related U.S. Application Data**

(63) Continuation of application No. 29/390,557, filed on  
Apr. 26, 2011, now abandoned.

(30) **Foreign Application Priority Data**

Oct. 27, 2010 (EM) ..... 001241871-0004

(51) **LOC (10) Cl.** ..... **02-02**

(52) **U.S. Cl.**  
USPC ..... **D2/836**

(58) **Field of Classification Search**  
USPC ..... D2/831, 716, 717, 720, 724, 736, 737,  
D2/750, 751, 754, 755, 769, 771, 786, 812,  
D2/828-839, 836, 837, 839-849, 857, 858,  
D2/863, 864; 2/2.17, 46, 51, 70, 77, 78.1,  
2/79, 80, 84, 92-95, 102, 108, 115, 122,  
2/202, 203, 204, 205, 243.1, 247, 248,  
2/250, 455, 462, 914

See application file for complete search history.

(56) **References Cited**

**U.S. PATENT DOCUMENTS**

1,667,220 A 4/1928 Rifken  
D88,976 S 5/1932 Raymond  
2,042,282 A \* 5/1936 Tworoger ..... 2/247  
D116,885 S \* 9/1939 Nieberg ..... D2/832  
2,180,914 A 11/1939 Speh

D119,122 S 2/1940 Bauer  
D120,711 S 5/1940 Speh  
D130,637 S 12/1941 Speh  
D131,396 S 2/1942 Speh  
2,324,722 A \* 7/1943 Papierniak ..... 2/93  
2,358,137 A 9/1944 Bard et al.  
2,422,779 A \* 6/1947 Fligel ..... 2/93  
RE22,906 E 8/1947 Sholder

(Continued)

**FOREIGN PATENT DOCUMENTS**

JP 2003096605 4/2003

**OTHER PUBLICATIONS**

Round-Up | Denim Jackets, [online], published on Jun. 28, 2009,  
retrieved on Nov. 17, 2014. Retrieved from, <URL: http://mclassics.  
tumblr.com/post/131844548/round-up-denim-jackets>, 1 page.\*

(Continued)

*Primary Examiner* — Ian Simmons

*Assistant Examiner* — Shannon Morgan

(74) *Attorney, Agent, or Firm* — Wells St. John P.S.

(57) **CLAIM**

I claim the ornamental design for a padded garment, as shown  
and described.

**DESCRIPTION**

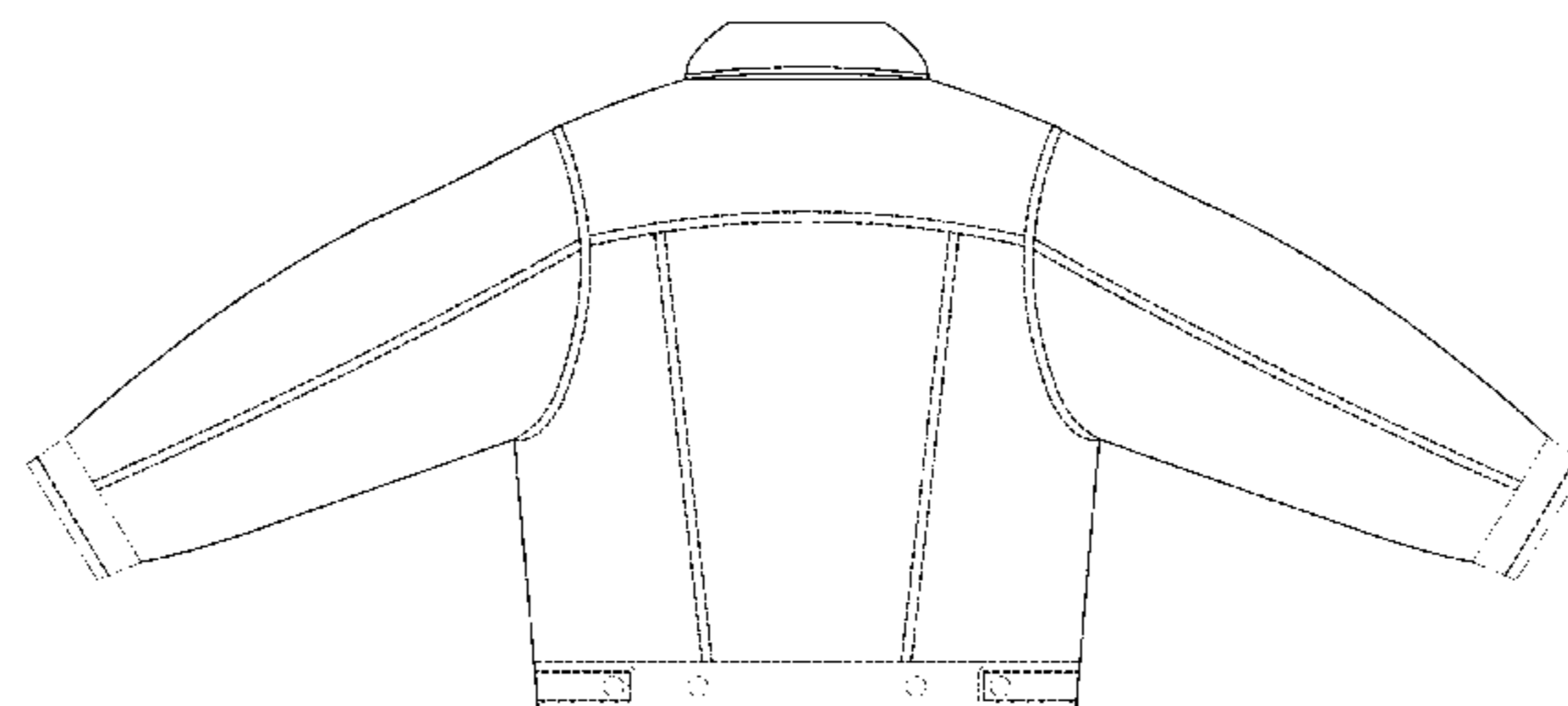
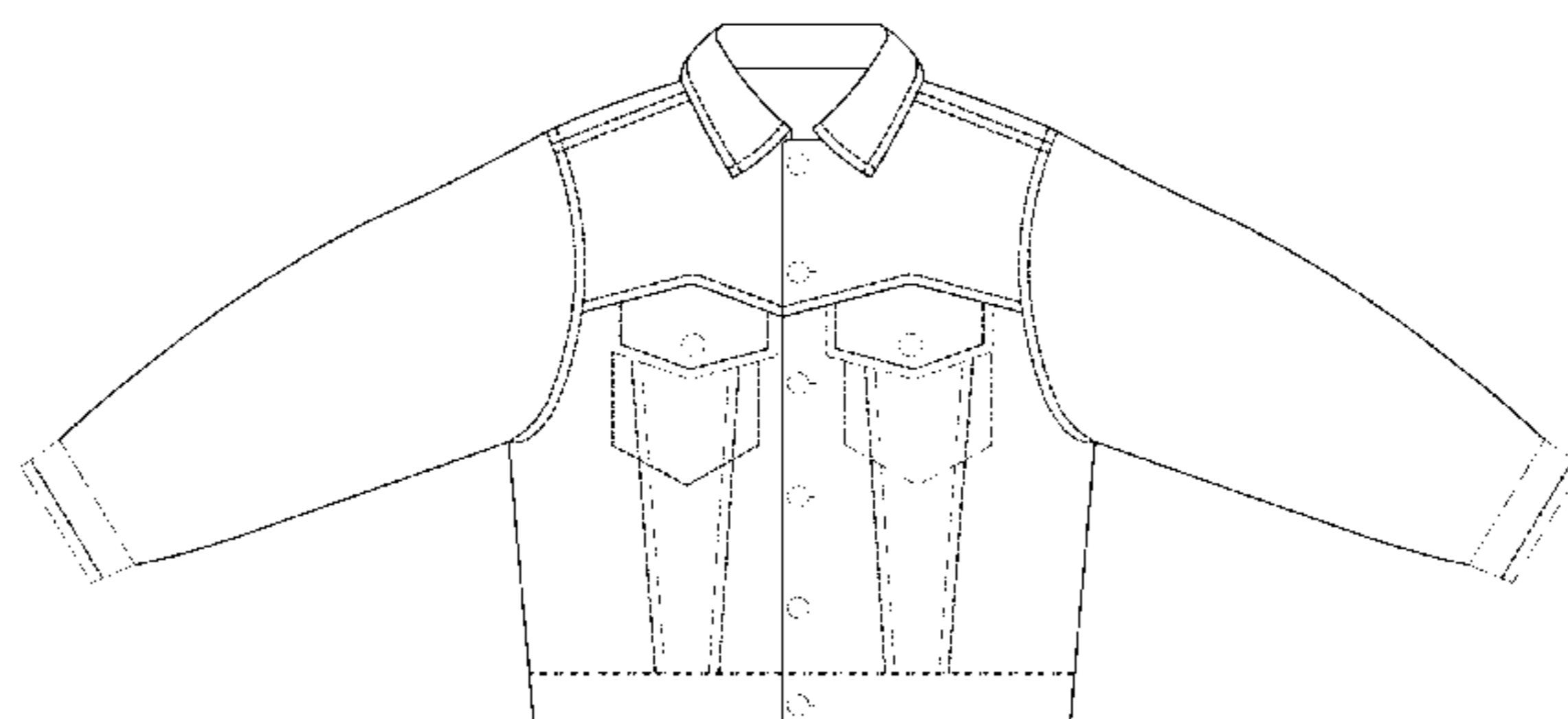
FIG. 1 is a front elevational view of a padded garment show-  
ing my new design.

FIG. 2 is a rear elevational view thereof; and,

FIG. 3 is a front elevational view of the padded garment  
shown open.

The dash-dash lines shown in FIGS. 1-3 of the padded gar-  
ment form part of the claimed design. The dash-dot-dot-dash  
lines and the boundary created within the dash-dot-dot-dash  
lines shown in FIGS. 1-3 represent portions of the padded  
garment that form no part of the claimed design.

**1 Claim, 3 Drawing Sheets**



(56)

References Cited

U.S. PATENT DOCUMENTS

2,462,361 A 2/1949 Cassens  
D153,438 S \* 4/1949 Kratz ..... D2/837  
2,468,915 A 5/1949 Bayless  
2,715,226 A 8/1955 Weiner  
D178,744 S \* 9/1956 Warmflash ..... D2/837  
D181,082 S \* 9/1957 Warmflash ..... D2/833  
D181,802 S \* 12/1957 McElreath ..... D2/836  
2,919,443 A \* 1/1960 Kashiyama ..... 2/94  
2,992,433 A 7/1961 Roberge  
2,640,987 A 8/1963 Ehlers  
D235,590 S \* 7/1975 Naumovski ..... D2/848  
D243,724 S \* 3/1977 Schaefer ..... D2/839  
D251,876 S 5/1979 Ivefjall  
D257,571 S \* 12/1980 Inoue ..... D2/836  
D266,880 S \* 11/1982 Luhtala ..... D2/831  
D270,585 S 9/1983 Viio  
4,608,715 A 9/1986 Miller et al.  
4,646,366 A 3/1987 Nishida et al.  
D289,941 S \* 5/1987 Felder ..... D2/836  
4,875,237 A \* 10/1989 Cohen ..... 2/94  
D305,825 S 2/1990 Tenore  
D306,511 S 3/1990 Jones  
5,073,985 A 12/1991 Stone et al.  
D339,221 S 9/1993 Olajide  
5,274,851 A 1/1994 Simpkins et al.  
5,365,614 A 11/1994 Perkins  
5,384,915 A 1/1995 Rodriguez  
D356,883 S 4/1995 Ganahl  
5,546,602 A 8/1996 Hale  
D384,788 S 10/1997 Curry  
D385,088 S 10/1997 Handysides  
D387,190 S \* 12/1997 Garcia ..... D2/835  
D398,738 S 9/1998 De La Rosa  
5,946,726 A 9/1999 Green  
D414,913 S 10/1999 Katz et al.  
D416,125 S 11/1999 Falk et al.  
5,996,122 A 12/1999 Aldridge et al.  
D421,329 S 3/2000 Adams  
6,035,453 A 3/2000 Cain  
D428,548 S 7/2000 Hosogai  
D439,727 S \* 4/2001 Hosogai ..... D2/830  
6,374,413 B1 4/2002 Magee  
6,397,392 B1 6/2002 Wooley et al.  
D461,036 S 8/2002 Forbes  
6,668,381 B2 12/2003 Tarrell  
D498,037 S 11/2004 Bay  
6,826,782 B2 12/2004 Jordan  
D509,644 S \* 9/2005 Eukpeeh-Lloyd, Sr. .... D2/828  
D530,060 S 10/2006 Quintero  
D536,859 S 2/2007 Carreras  
D551,429 S 9/2007 Wager  
D580,633 S 11/2008 Cross  
RE40,613 E 1/2009 Jordan  
D598,639 S 8/2009 Holder  
D621,132 S 8/2010 Crisp  
D622,937 S 9/2010 Bay  
7,886,368 B2 2/2011 Hood  
D637,377 S 5/2011 Herten  
D639,025 S 6/2011 Holder  
D645,230 S 9/2011 Rushworth  
8,082,596 B2 12/2011 Pohr et al.  
D653,836 S 2/2012 Woysner et al.  
D654,664 S 2/2012 Evans et al.  
D662,282 S 6/2012 Meunier-Bouchard  
D694,957 S 12/2013 Barker et al.  
D696,840 S 1/2014 Brown  
D696,858 S 1/2014 Kowalsky et al.  
D701,020 S 3/2014 Passman  
2002/0142112 A1 10/2002 Tarrell  
2004/0143884 A1 7/2004 Majerfeld  
2006/0143774 A1 7/2006 Walsh et al.  
2006/0150298 A1 7/2006 Jones  
2006/0218691 A1 10/2006 Miller  
2007/0033701 A1 2/2007 Daugherty  
2007/0199126 A1 8/2007 Mahony

2008/0184454 A1 8/2008 Collier  
2009/0044310 A1 2/2009 Baacke  
2011/0000944 A1 1/2011 Hood  
2011/0010818 A1 1/2011 Hood  
2011/0099681 A1 5/2011 Imai et al.  
2011/0307994 A1 12/2011 Woloschuk  
2013/0097762 A1 4/2013 Park  
2013/0232673 A1 \* 9/2013 Johnson et al. .... 2/455

OTHER PUBLICATIONS

Antique Dollhouse of Patterns—Burda 6028, [online], pattern from 1987, retrieved on Nov. 17, 2014. Retrieved from, <URL: [http://www.antiquedollhouseofpatterns.com/shopcart/catalog/product\\_info.php?products\\_id=7629](http://www.antiquedollhouseofpatterns.com/shopcart/catalog/product_info.php?products_id=7629)>, 1 page.\*  
80's Levi's Black Stonewash denim jacket, [online], jacket from 1980's, retrieved on Nov. 17, 2014. Retrieved from, <URL: <https://www.etsy.com/listing/208799136/80s-levis-black-stonewash-denim-red-tab?ref=market>>, 2 pages.\*  
Levi's Vintage 80's Denim Buffalo Plaid Flannel Lined Jean Jacket, [online], jacket purchased in the 1980's, retrieved on Nov. 17, 2014. Retrieved from, <URL: <http://www.ebay.com/itm/LEVIS-Vintage-80s-Denim-Buffalo-Plaid-Flannel-Lined-Jean-Jacket-Mens-XL-/281498553225>>, 3 pages.\*  
The \$2000 Question: Can Jeans Be Worth 2 Grand?, [online], published on Aug. 24, 2011, retrieved on Nov. 17, 2014. Retrieved from, <URL: <http://threesifty.ca/blog/2000-question-can-jeans-be-worth-2-grand>>, 1 page.\*  
90s Vintage "Limited Jeans" Jean Vest, [online], vest from the 1990s, retrieved on Nov. 17, 2014. Retrieved from, <URL: <https://www.etsy.com/listing/124384978/90s-vintage-limited-jeans-jean-vest-sz?ref=market>>, 1 page.\*  
Denim vest, [online], posted on May 6, 2010, retrieved on Nov. 17, 2014. Retrieved from, <URL: <http://thepenelopetimes.com/2010/05/this-denim-vest-and-white-denim-jacket-are-a-great/>>, 1 page.\*  
Longhorn's Vintage Clothing, [online], posted on Jul. 27, 2010, retrieved on Nov. 22, 2014. Retrieved from, <URL: <http://longhornvintage.blogspot.com/2010/02/item-10-b-0004-vintage-50s60s-levis-557.html>>, 1 page.\*  
U.S. Appl. No. 29/390,556, filed Apr. 26, 2011, Brown.  
U.S. Appl. No. 29/390,557, filed Apr. 26, 2011, Brown.  
U.S. Appl. No. 29/390,558, filed Apr. 26, 2011, Brown.  
U.S. Appl. No. 29/390,559, filed Apr. 26, 2011, Brown.  
3 Jacket Styles Every women (sic) Should Own, [online], published on Apr. 2009, retrieved on Oct. 1, 2012. <URL: <http://thegloss.com/fashion/3-jacket-styles-every-woman-should-own/>>, 1 page.  
Calvin Klein Jeans Women's Highway Wash Jean Jacket, [online], crawled on Nov. 29, 2009, retrieved on Oct. 1, 2012, <URL: <http://web.archive.org/web/20091129125150/http://www.overstock.com/Clothing-Shoes/Clavin-Klein-Jeans-Womes-Highway-Wash-Jean-Jacket/4250335/product.html>>, 1 page.  
Dandy pants: Jul. 2009 [online], published on Jul. 4, 2009, retrieved on Oct. 1, 2012, <URL: [http://danypants.blogspot.com/2009\\_07\\_01\\_archive.html](http://danypants.blogspot.com/2009_07_01_archive.html)>, 1 page.  
Faded Glory: Denim Lightens Up For Spring, [online], published on May 19, 2009, retrieved on Oct. 1, 2012, <URL: <http://www.refinery29.com/faded-glory-denim-lightens-up>>, 1 page.  
Levi's F/W09 Denim Trucker Jacket, [online], published on Jun. 24, 2009, retrieved on Oct. 2, 2012. <URL: <http://fluxuryb.com/2009/06/levis-fw09-denim-trucker-jacket/>>, 1 page.  
Longhorn's Vintage Clothing [online], published on Jul. 27, 2012, retrieved on Oct. 2, 2012 <URL: <http://longhornvintage.blogspot.com/2010/02/item-10-b-0004-vintage-50s60s-levis-557.html>>, 1 page.  
Sohnay Industries, <URL: [http://sohnay.trustpass.alibaba.com/productsshowing/112638144-1013385/Varsity\\_Jackets\\_Base-ball\\_J](http://sohnay.trustpass.alibaba.com/productsshowing/112638144-1013385/Varsity_Jackets_Base-ball_J)>, Date Unknown: Viewed Sep. 2012. "Varsity Jacket", 1 page.  
tek-9 [http://www.tek-9.org/off\\_topic-22/what\\_you\\_last\\_bought-74078.html?page=23](http://www.tek-9.org/off_topic-22/what_you_last_bought-74078.html?page=23). Date Unknown: Viewed Sep. 2012, Jacket, 1 page.  
Brown, Emma Jane; co-pending design U.S. Appl. No. 29/444,826, filed Feb. 4, 2013 titled "Clothing", 7 pages.  
Brown, Emma Jane; co-pending design U.S. Appl. No. 29/449,510, filed Mar. 15, 2013 titled "Padded Clothing", 7 pages.

(56)

**References Cited**

OTHER PUBLICATIONS

Beretta Trap Cotton Unisex Shooting Vest (online); Item available for sale on Berettausa.com with a review posted on Mar. 7, 2014. Retrieved from the internet on Dec. 5, 2014. URL: <http://www.berettausa.com/en-us/beretta-trap-cotton-unisex-shooting-vest/gt400074/#tab-reviews>. (3 pgs.)

Brown, Emma Jane; co-pending design U.S. Appl. No. 29/449,260, filed Mar. 14, 2013 titled "Padded Coat", 10 pages.

Gaston J. Glock style LP Adds Camouflage Vests and Jackets to Hunting Apparel Line (on-line); Blog entry by lauraburgessmarketing posted on Aug. 26, 2014. Retrieved from the internet on Dec. 5,

2014. URL: <https://lauraburgessmarketing.wordpress.com/tag/shooting-vest/>. (6 pgs.)

Jahijakt Reversible Shooting Vest (online) Item available for sale on Arcticoutdoor.co.uk, publication date unknown. Retrieved from the internet on Dec. 5, 2014. URL: <http://www.arcticoutdoor.co.uk/shop/jahijakt-shooting-vest>. (2 pgs.)

U.S. Appl. No. 29/390,557, filed Apr. 26, 2011; Oct. 25, 2012 Office Action; 9 pages.

U.S. Appl. No. 29/390,558, filed Apr. 26, 2011; Nov. 23, 2012 Office action; 7 pages.

U.S. Appl. No. 29/449,510, filed Mar. 15, 2013; Dec. 24, 2014 Office Action; 8 pages.

\* cited by examiner

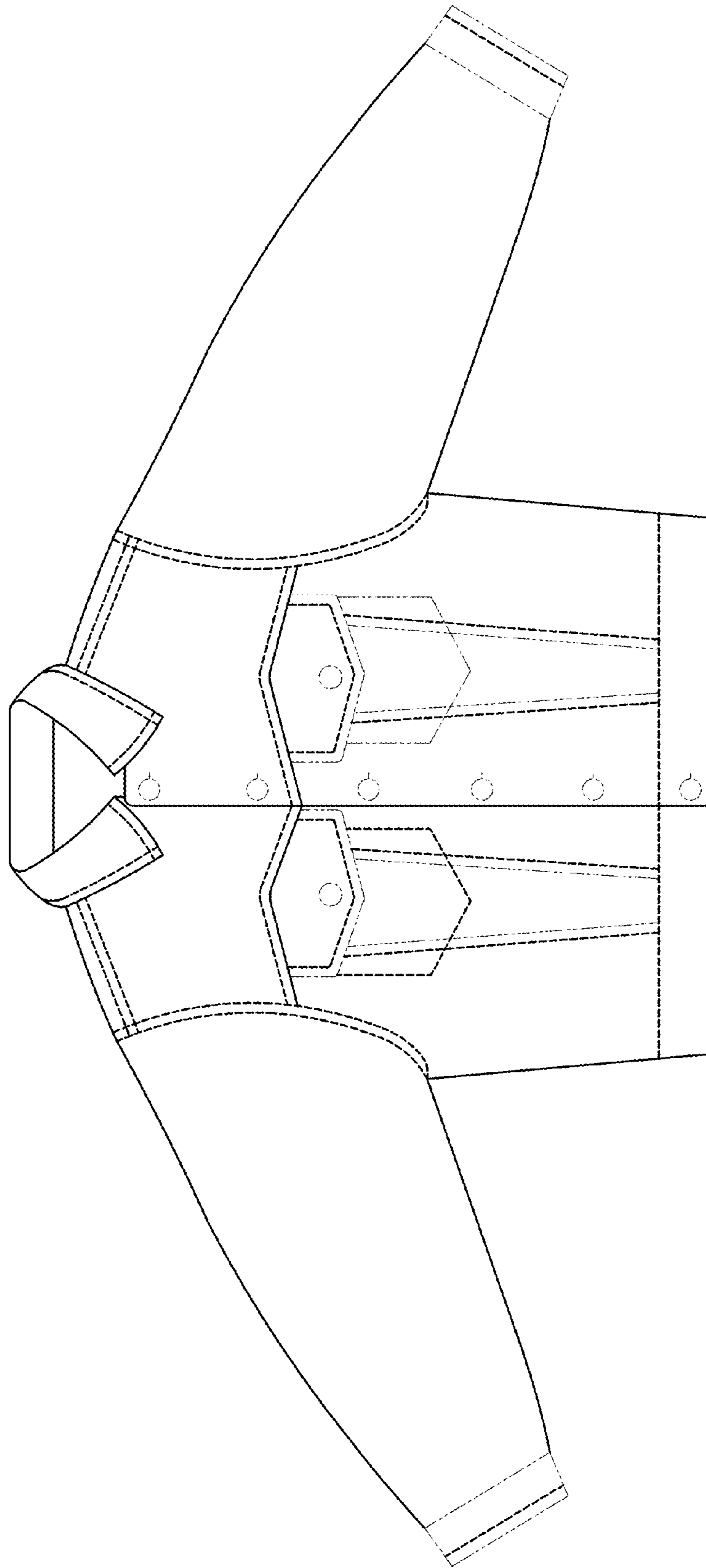


FIG. 1

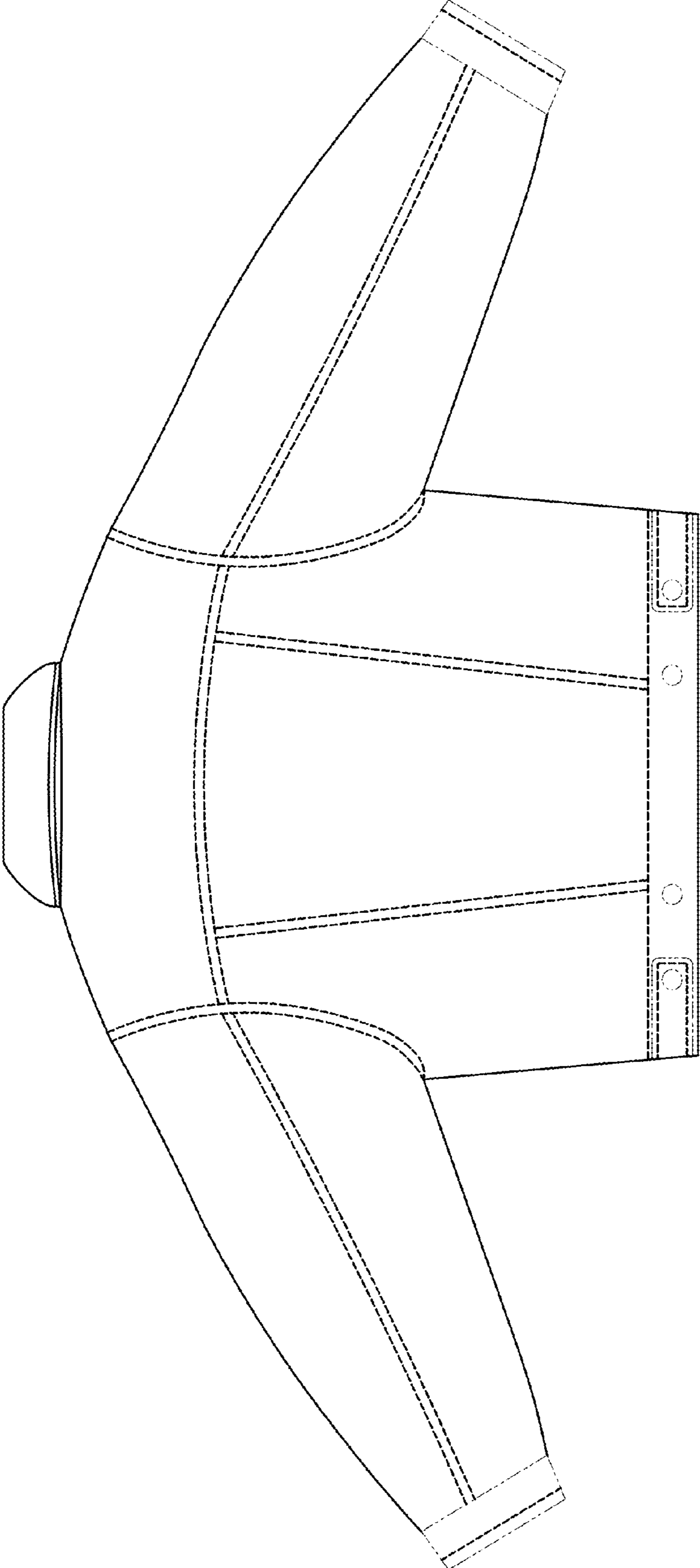


FIG. 2

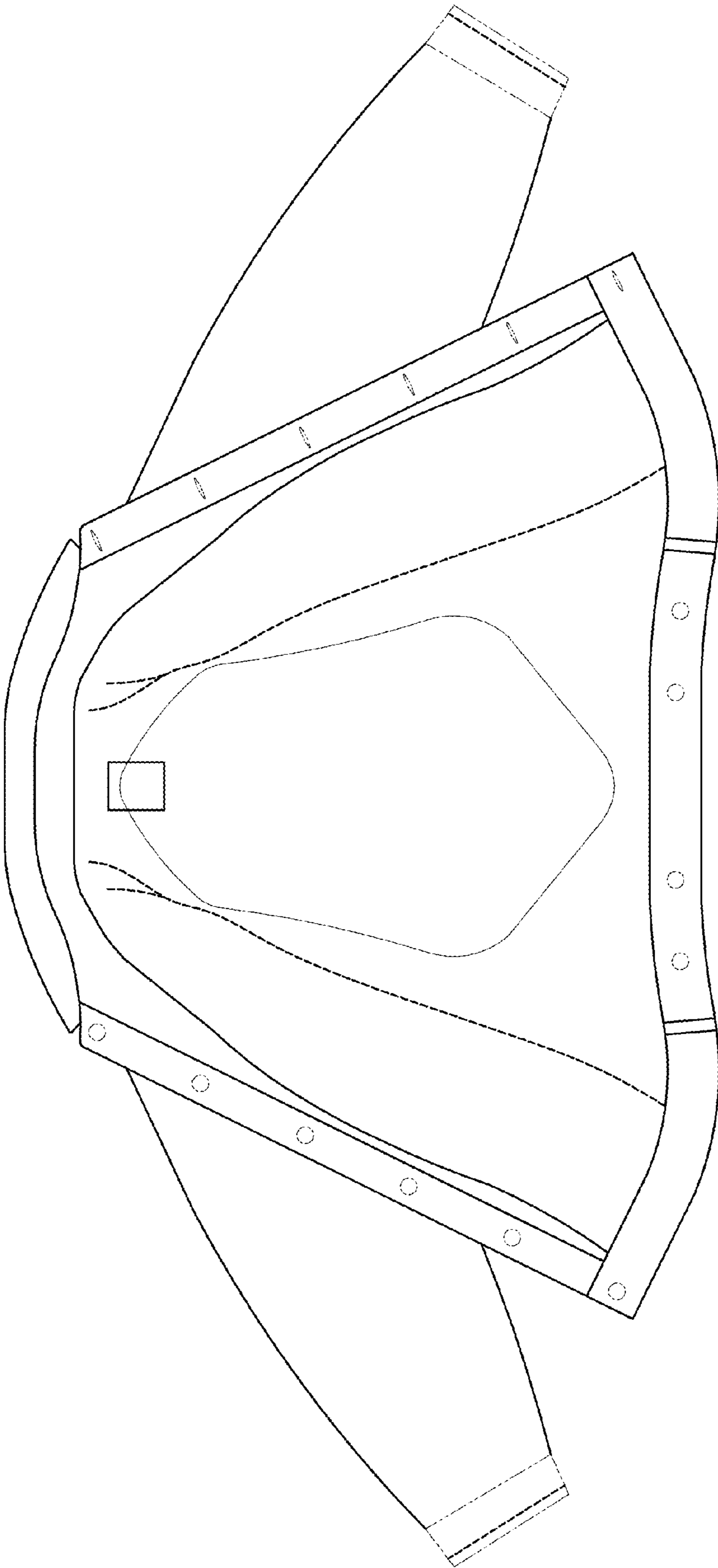


FIG. 3