



US00D735443S

(12) **United States Design Patent**
Shahidi Bonjar

(10) **Patent No.:** **US D735,443 S**

(45) **Date of Patent:** **** Aug. 4, 2015**

(54) **SURGICAL SELF-RETRACTABLE SILICONE STRAP**

(71) Applicant: **Amir Hashem Shahidi Bonjar**, Tehran (IR)

(72) Inventor: **Amir Hashem Shahidi Bonjar**, Tehran (IR)

(73) Assignees: **Amir Hashem Shahidi Bonjar**, Tehran (IR); **Dentofacial Deformities Research Center of Shahid Beheshti University Medical Science**, Tehran (IR)

(**) Term: **14 Years**

(21) Appl. No.: **29/445,827**

(22) Filed: **Feb. 17, 2013**

(51) **LOC (10) Cl.** **02-06**

(52) **U.S. Cl.**
USPC **D2/623; D2/858**

(58) **Field of Classification Search**
USPC D2/853, 728, 610, 617, 621, 623, 739, D2/720, 858; 2/160, 308, 320, 325, 337; D24/190, 152; D34/28, 29, 35
CPC A41D 13/0002; A41D 19/0048; A41D 19/0034; A41D 19/0037; A41D 19/0041; A41D 2300/33

See application file for complete search history.

(56) **References Cited**

U.S. PATENT DOCUMENTS

D180,106	S	*	4/1957	Seifert	D6/468
D255,717	S	*	7/1980	Levine	D24/190
4,837,860	A	*	6/1989	Roberts et al.	2/51
5,555,561	A	*	9/1996	Plachta et al.	2/457
D400,477	S	*	11/1998	Johanning et al.	D12/567
D414,724	S	*	10/1999	Lu	D12/501
6,041,681	A	*	3/2000	Griffin, Sr.	81/462
D426,640	S	*	6/2000	Bell et al.	D24/200
D427,729	S	*	7/2000	Lopez	D29/123
6,081,925	A	*	7/2000	Reiber	2/125
6,256,847	B1	*	7/2001	Manley et al.	24/593.11

D449,570	S	*	10/2001	Lo	D12/506
6,715,159	B2	*	4/2004	Cormier	2/457
6,769,333	B2	*	8/2004	Keady	81/462
D505,063	S	*	5/2005	Jackson	D8/396
D509,765	S	*	9/2005	Lishen	D11/3
6,941,579	B2	*	9/2005	Tanenbaum	2/123
D528,263	S	*	9/2006	Van Trojen	D2/610
D537,333	S	*	2/2007	Jowsey	D8/396
D549,244	S	*	8/2007	Noel	D15/28
D555,328	S	*	11/2007	Gilbert-Biro et al.	D2/624
D643,447	S	*	8/2011	Barnes et al.	D15/139
8,112,820	B2	*	2/2012	Johnson et al.	2/160
D688,944	S	*	9/2013	Lane	D9/435
8,747,284	B2	*	6/2014	Ingram	482/50
2009/0162651	A1	*	6/2009	Rios et al.	428/354

* cited by examiner

Primary Examiner — Bridget L Eland

Assistant Examiner — Lauren McVey

(74) *Attorney, Agent, or Firm* — Barry Choobin; Patent 360

(57) **CLAIM**

The ornamental design for an surgical self-retractable silicone strap, substantially as shown and described.

DESCRIPTION

FIG. 1 is a top, left-side perspective view of the surgical self-retractable silicone strap;
 FIG. 2 is a bottom, left-side perspective view of the surgical self-retractable silicone strap;
 FIG. 3 is a top, left-side lateral perspective view of the surgical self-retractable silicone strap.
 FIG. 4 is a bottom, left-side lateral perspective view of the surgical self-retractable silicone strap;
 FIG. 5 is a right-side view of the surgical self-retractable silicone strap;
 FIG. 6 is a left-side view of the surgical self-retractable silicone strap;
 FIG. 7 is a top-side view of the surgical self-retractable silicone strap;
 FIG. 8 is a bottom-side view of the surgical self-retractable silicone strap;
 FIG. 9 is a front-side view of the surgical self-retractable silicone strap;

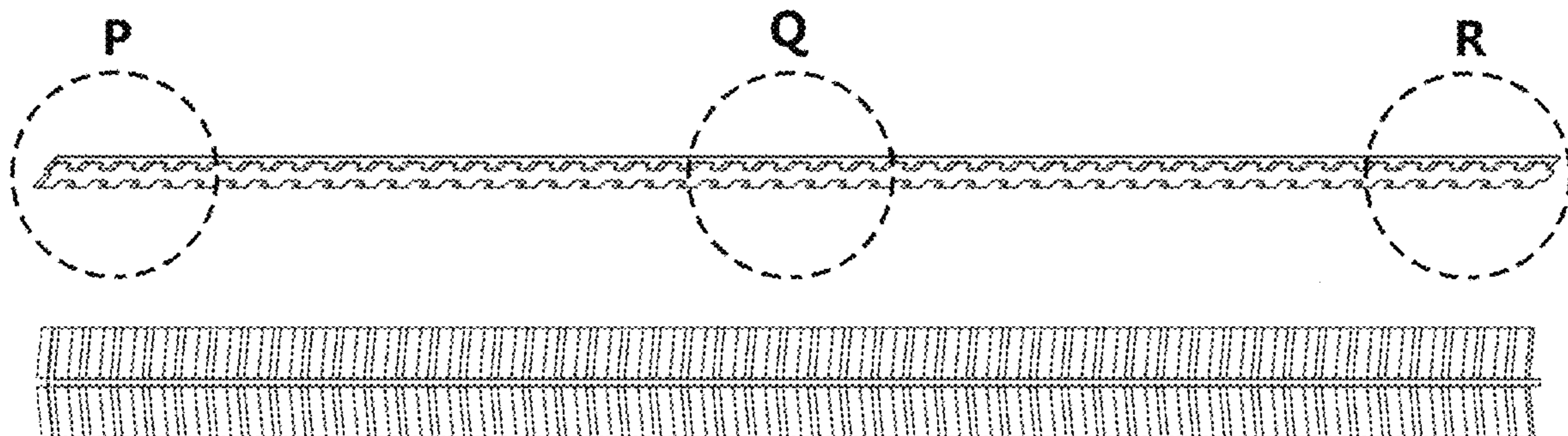


FIG. 10 is a rear-side view of the surgical self-retractable silicone strap;

FIG. 11 is an enlarged front, top, left-side perspective view of the encircled portion A as shown in FIG. 1;

FIG. 12 is an enlarged center, top, left-side perspective view of the encircled portion B as shown in FIG. 1;

FIG. 13 is an enlarged rear, top, left-side perspective view of the encircled portion C as shown in FIG. 1;

FIG. 14 is an enlarged rear, bottom, left-side perspective view of the encircled portion D as shown in FIG. 2;

FIG. 15 is an enlarged center, bottom, left-side perspective view of the encircled portion E as shown in FIG. 2;

FIG. 16 is an enlarged front, bottom, left-side perspective view of the encircled portion F as shown in FIG. 2;

FIG. 17 is an enlarged front, top, left-side lateral perspective view of the encircled portion G as shown in FIG. 3;

FIG. 18 is an enlarged center, top, left-side lateral perspective view of the encircled portion H as shown in FIG. 3;

FIG. 19 is an enlarged rear, top, left-side lateral perspective view of the encircled portion I as shown in FIG. 3;

FIG. 20 is an enlarged front, bottom, left-side lateral perspective view of the encircled portion J as shown in FIG. 4;

FIG. 21 is an enlarged center, bottom, left-side lateral perspective view of the encircled portion K as shown in FIG. 4;

FIG. 22 is an enlarged rear, bottom, left-side lateral perspective view of the encircled portion L as shown in FIG. 4;

FIG. 23 is an enlarged rear, right-side view of the encircled portion M as shown in FIG. 5;

FIG. 24 is an enlarged center, right-side view of the encircled portion N as shown in FIG. 5;

FIG. 25 is an enlarged front, right-side view of the encircled portion O as shown in FIG. 5;

FIG. 26 is an enlarged front, left-side view of the encircled portion P as shown in FIG. 6;

FIG. 27 is an enlarged center, left-side view of the encircled portion Q as shown in FIG. 6; and,

FIG. 28 is an enlarged rear, left-side view of the encircled portion R as shown in FIG. 6.

The broken line circles form no part of the claimed design.

1 Claim, 8 Drawing Sheets

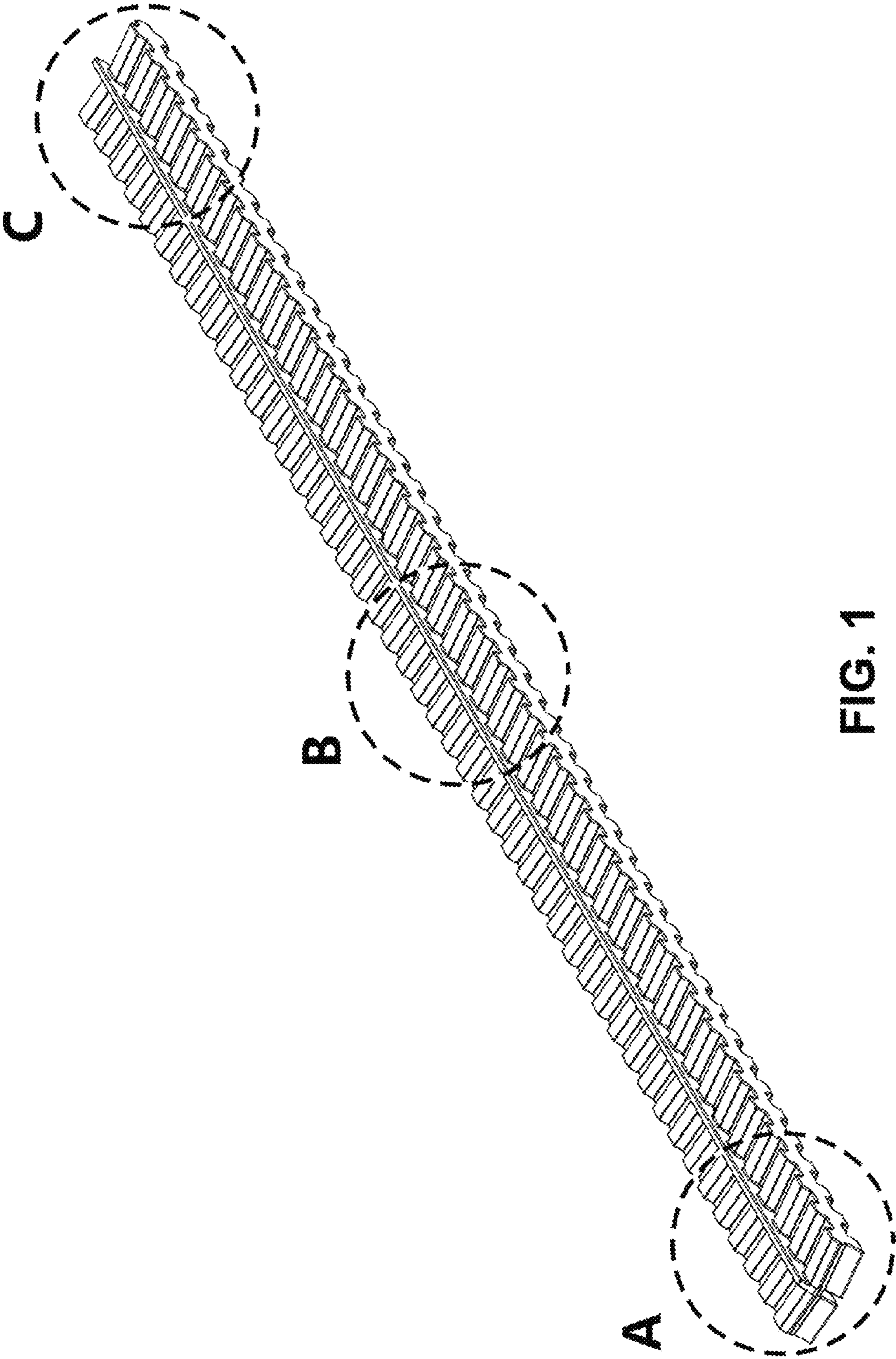


FIG. 1

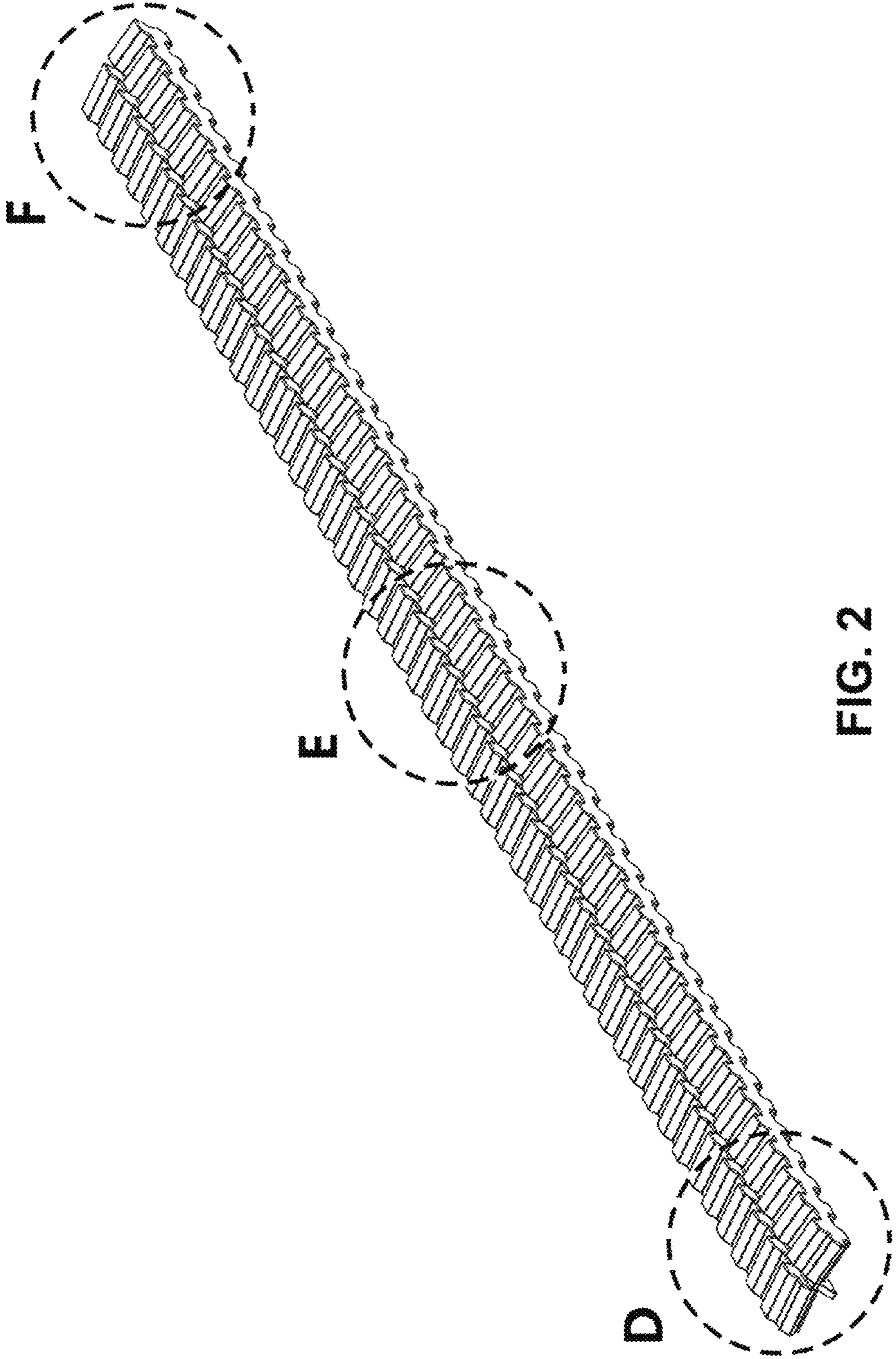


FIG. 2

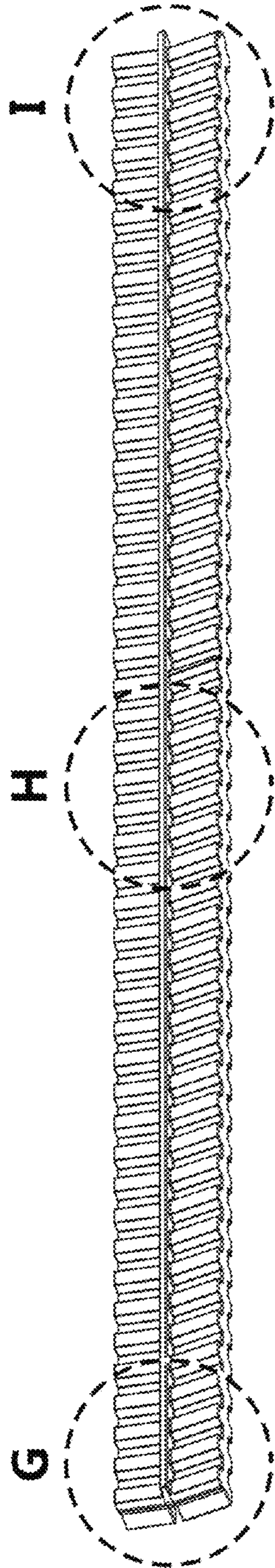


FIG. 3

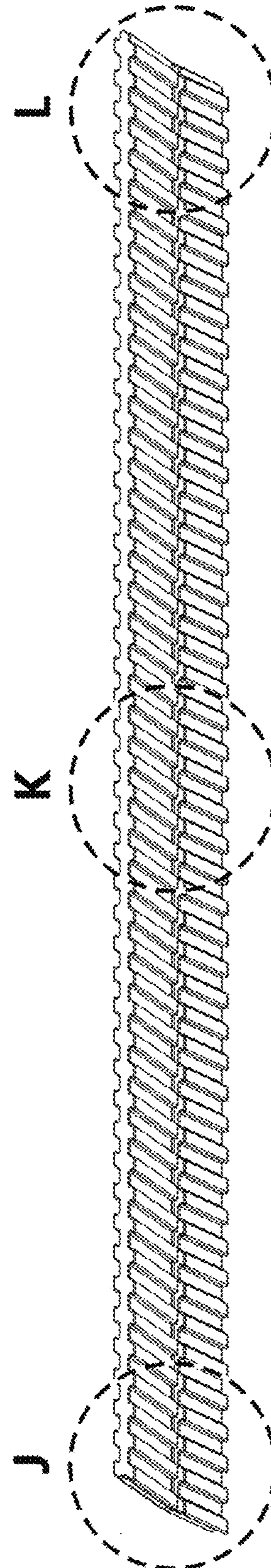


FIG. 4

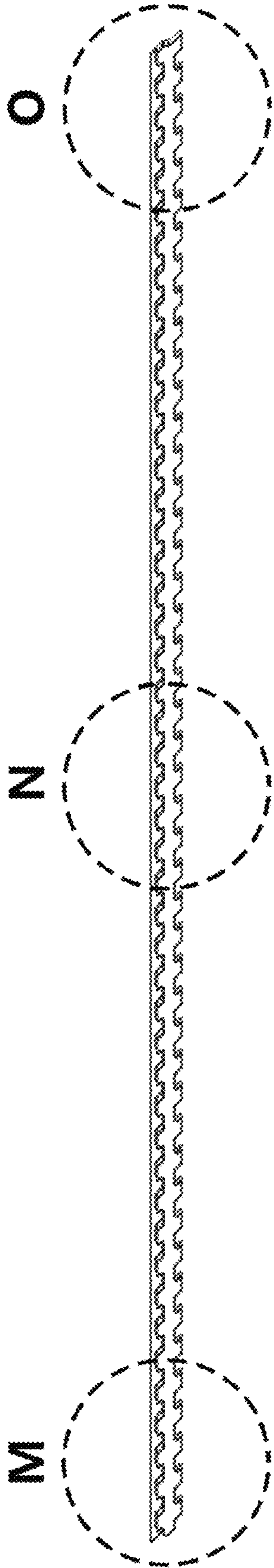


FIG. 5

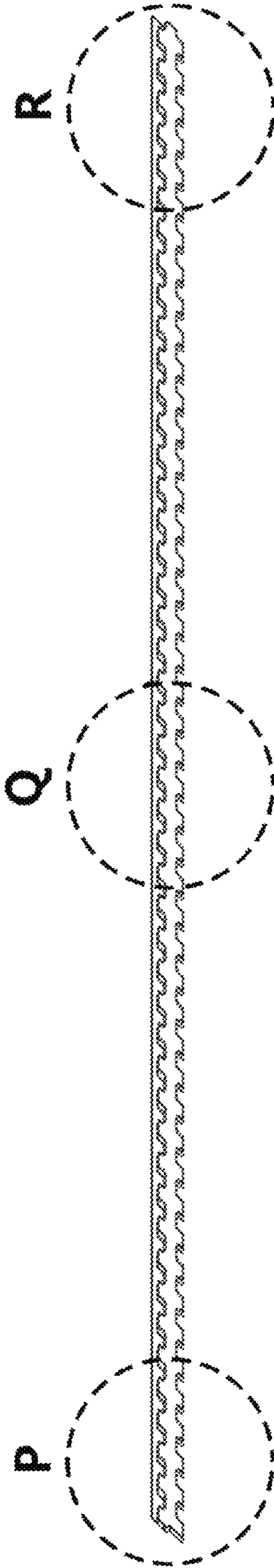


FIG. 6

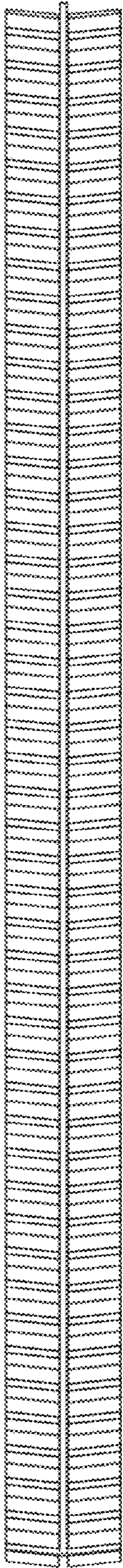


FIG. 7

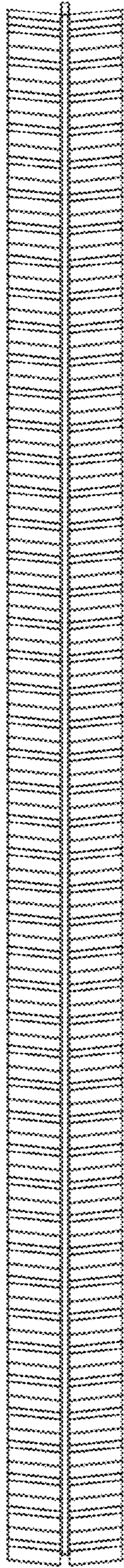


FIG. 8

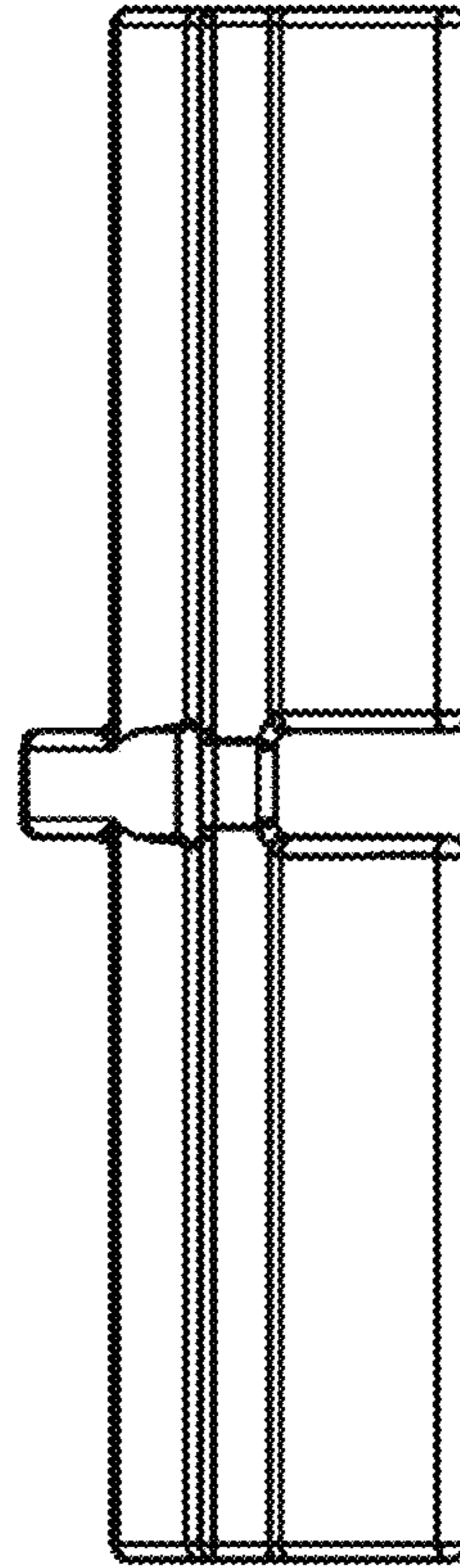


FIG. 9

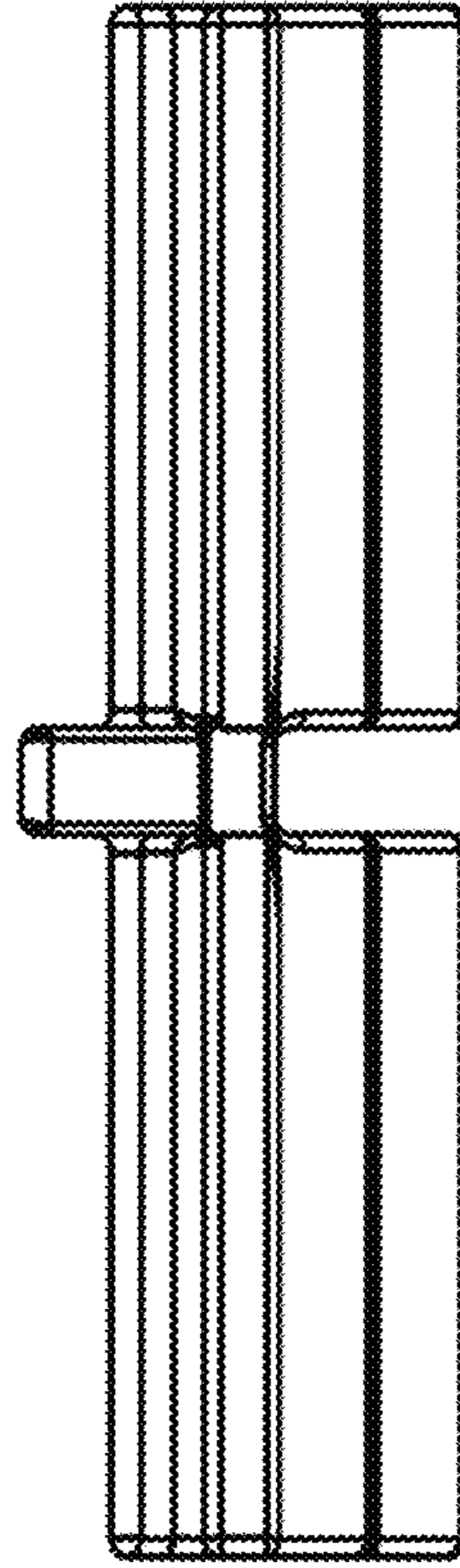


FIG. 10

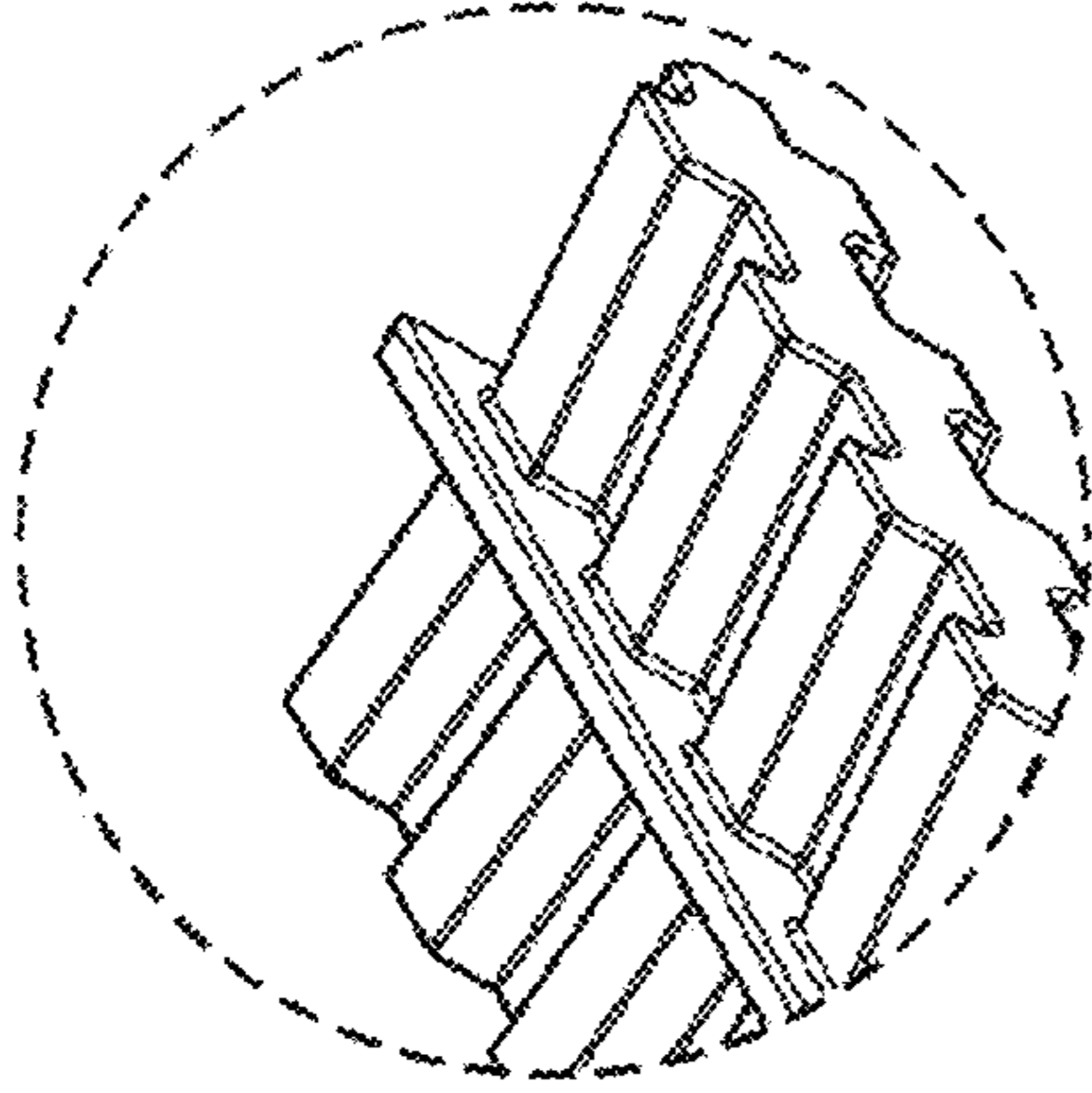


FIG. 11

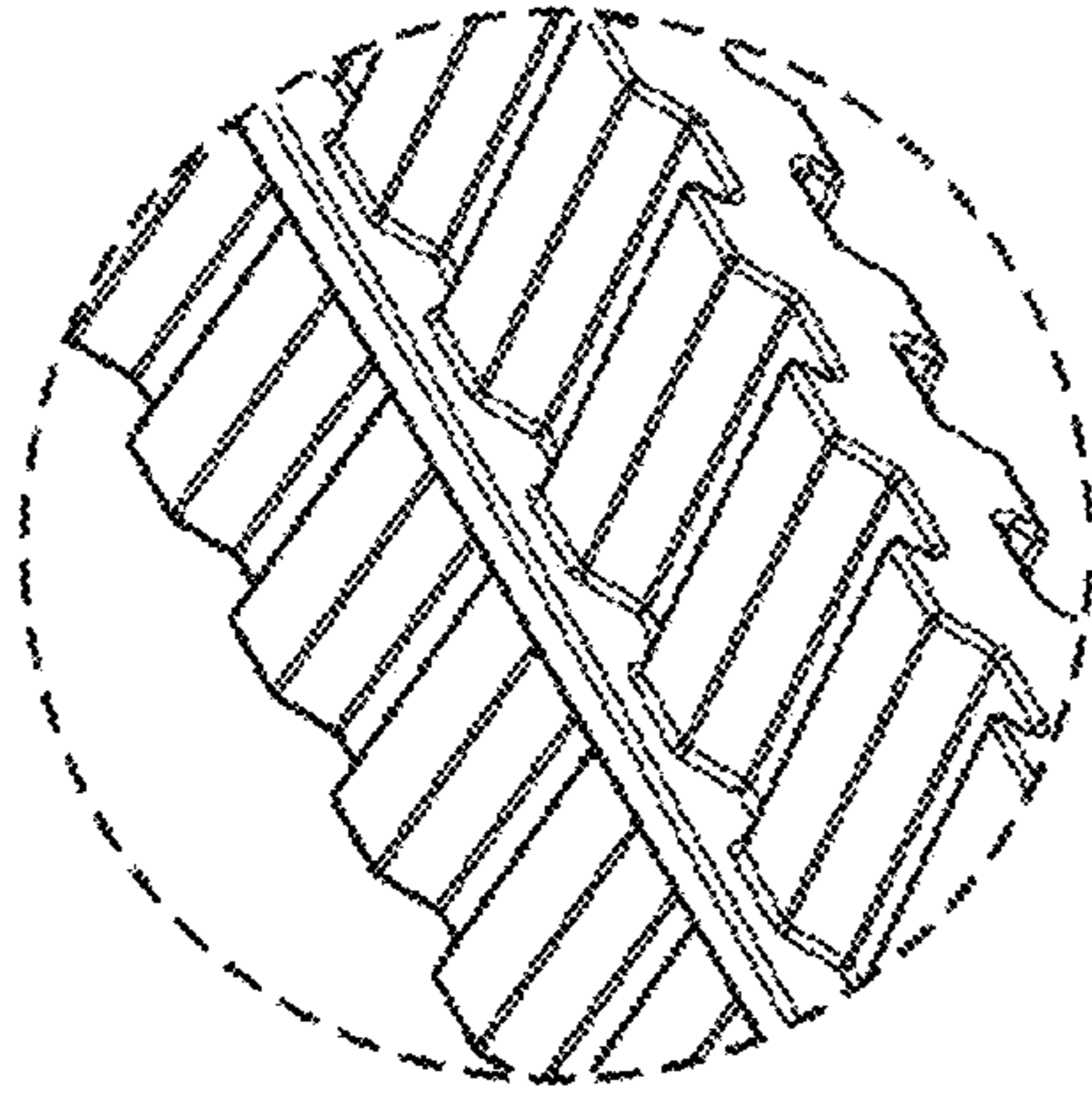


FIG. 12

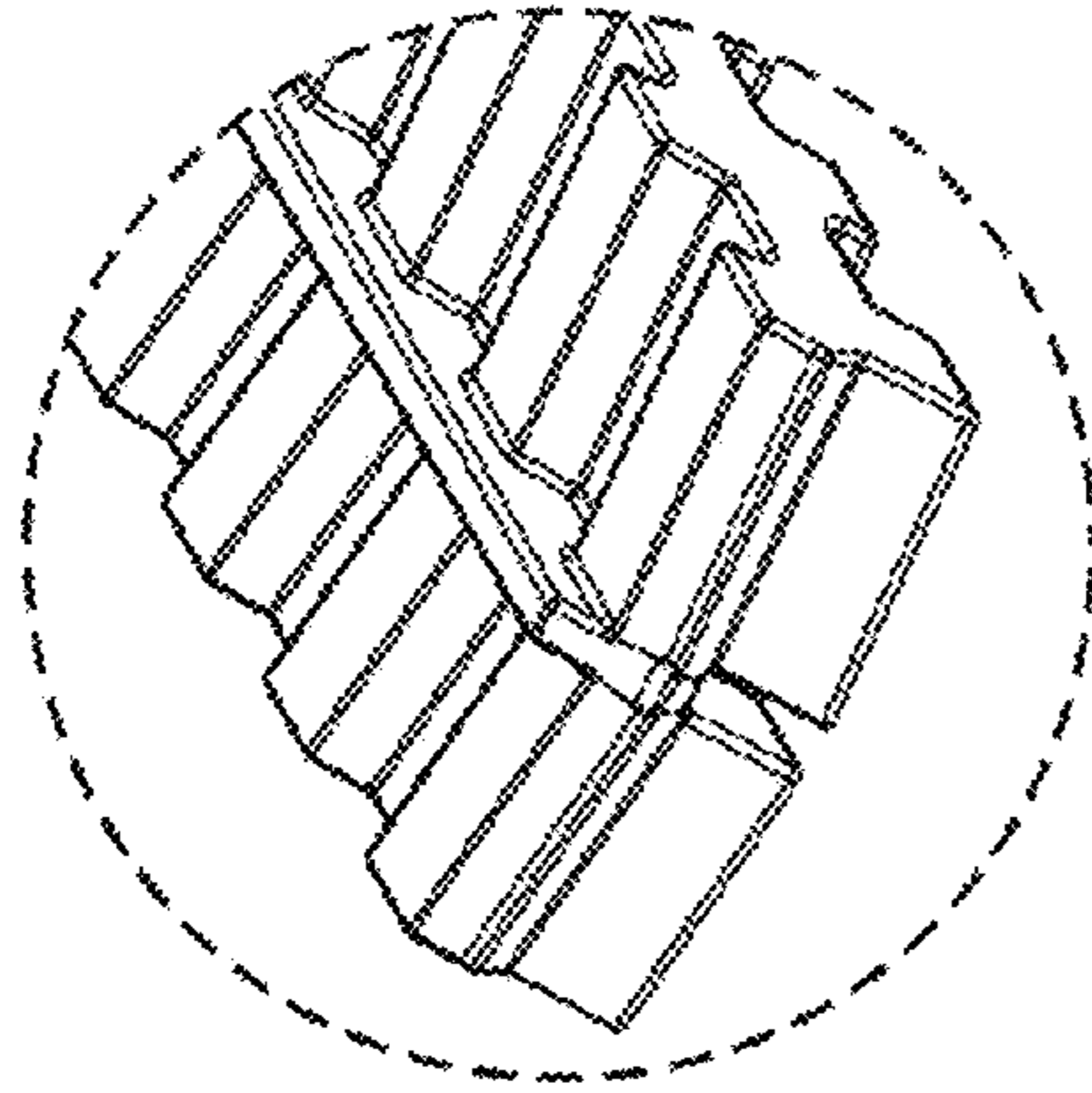


FIG. 13

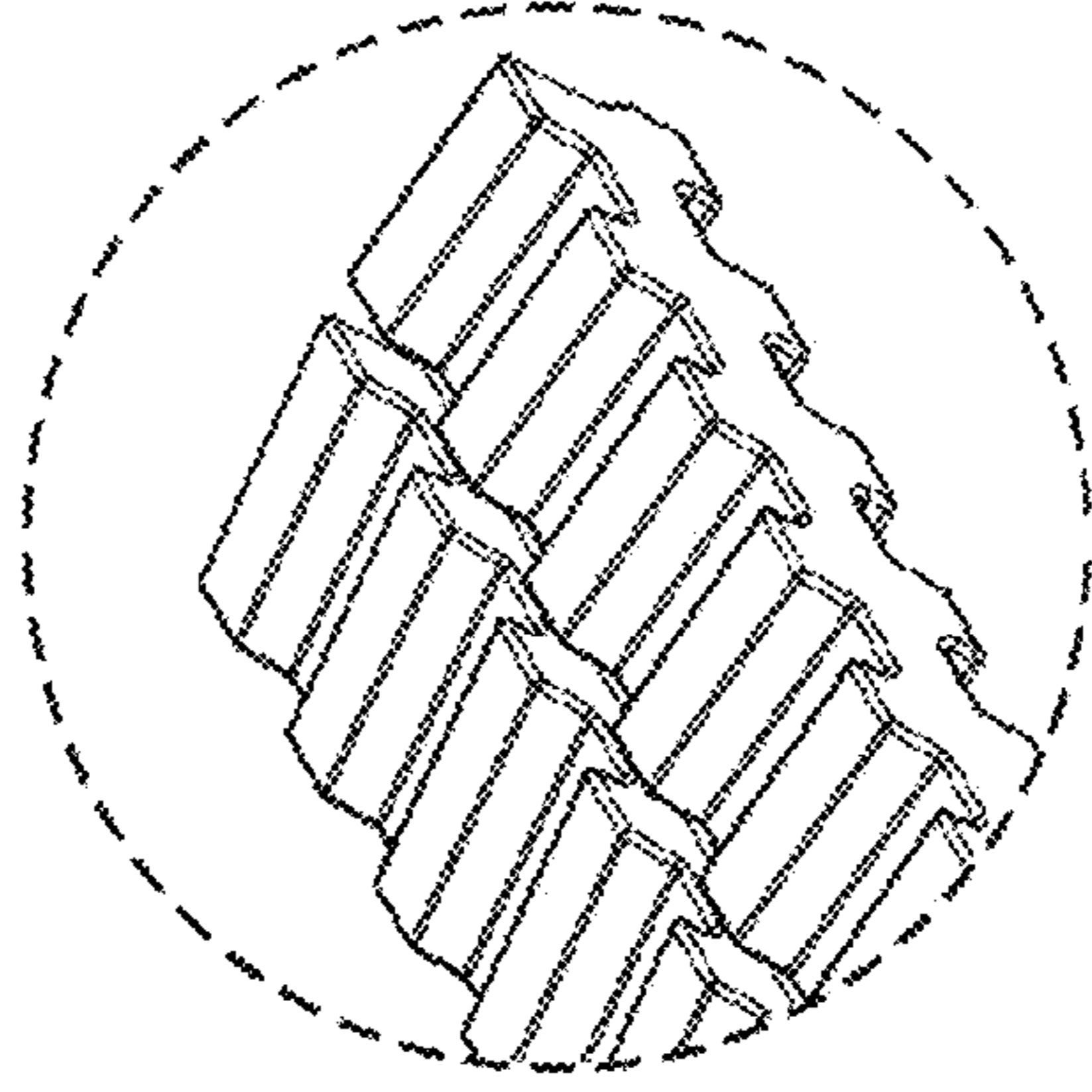


FIG. 14

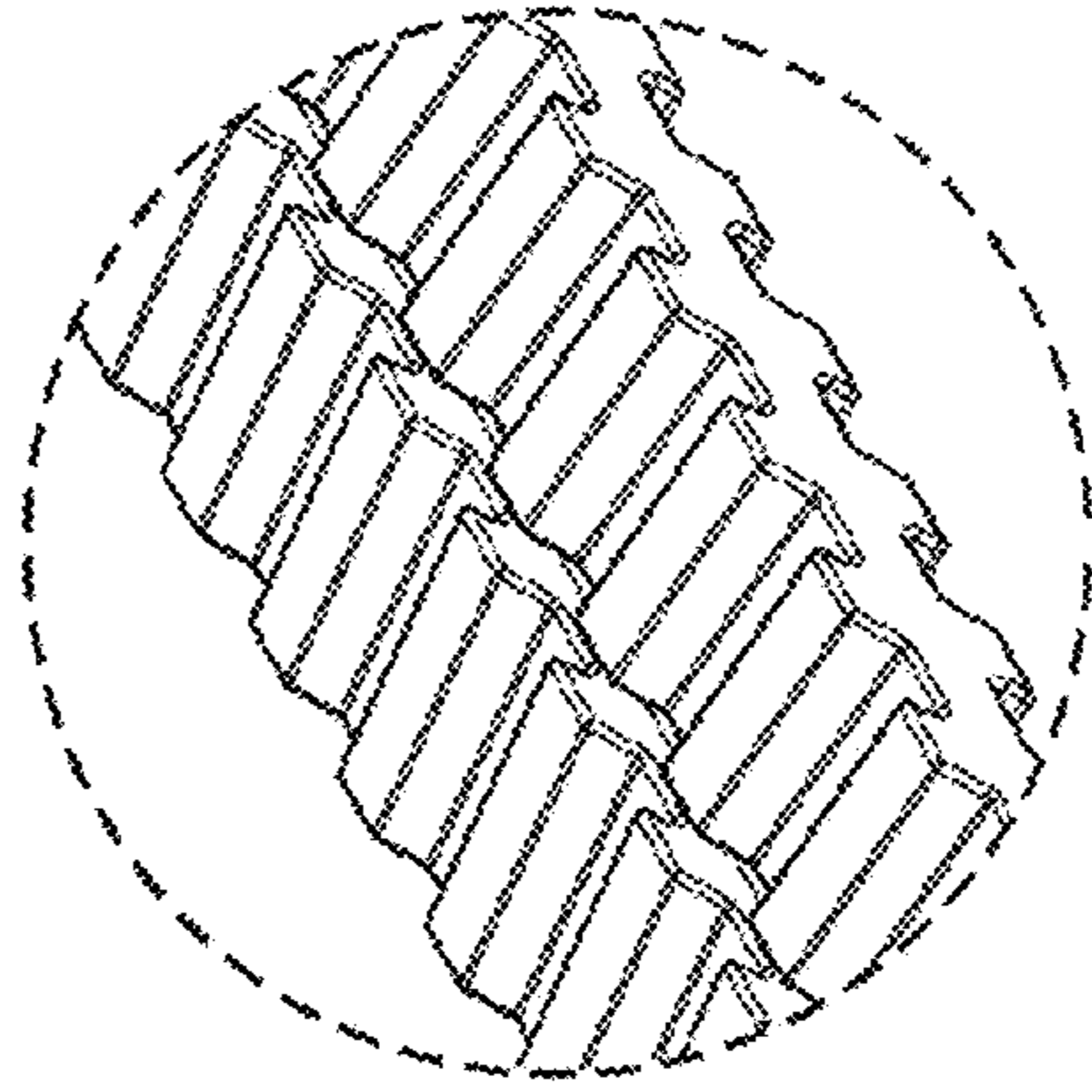


FIG. 15

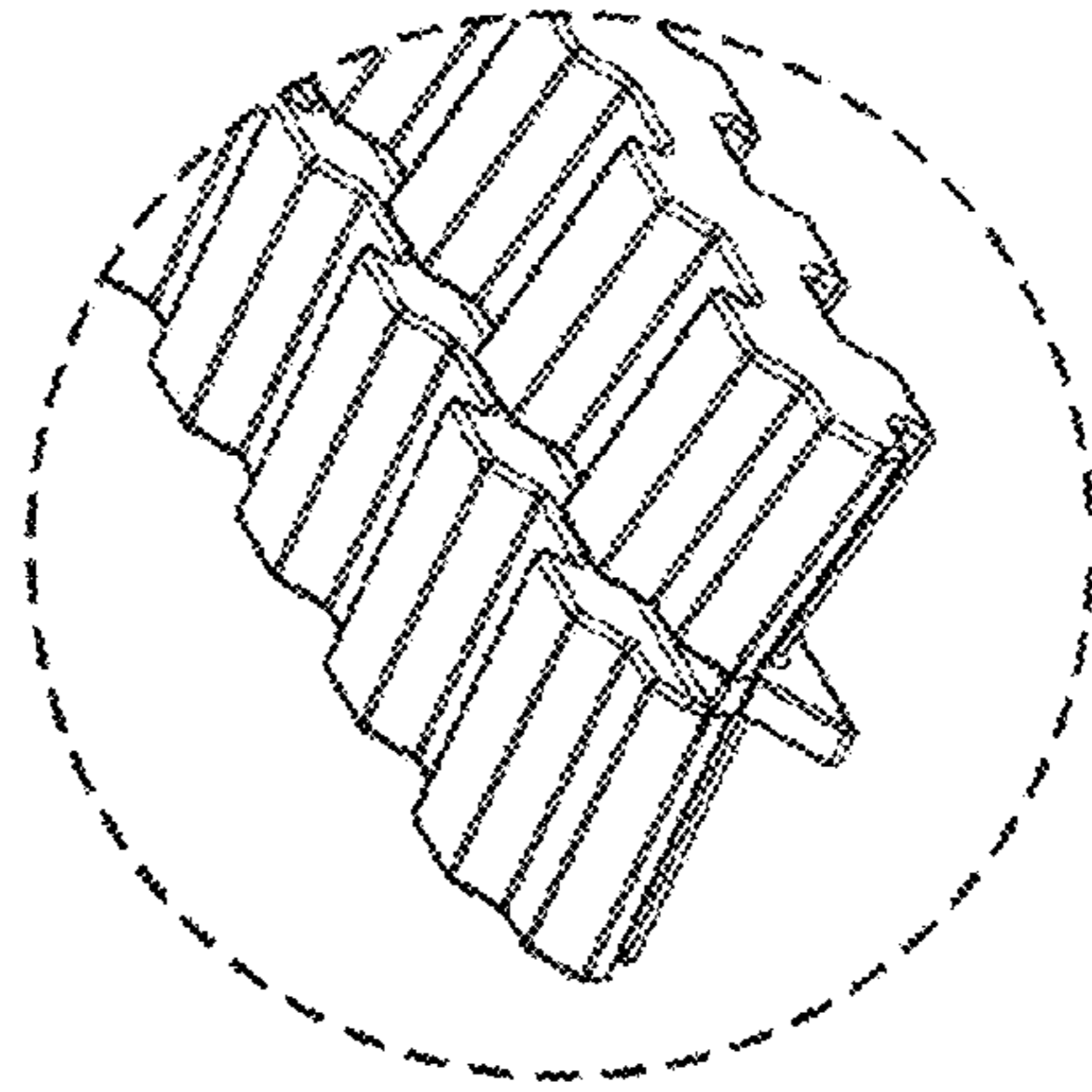


FIG. 16

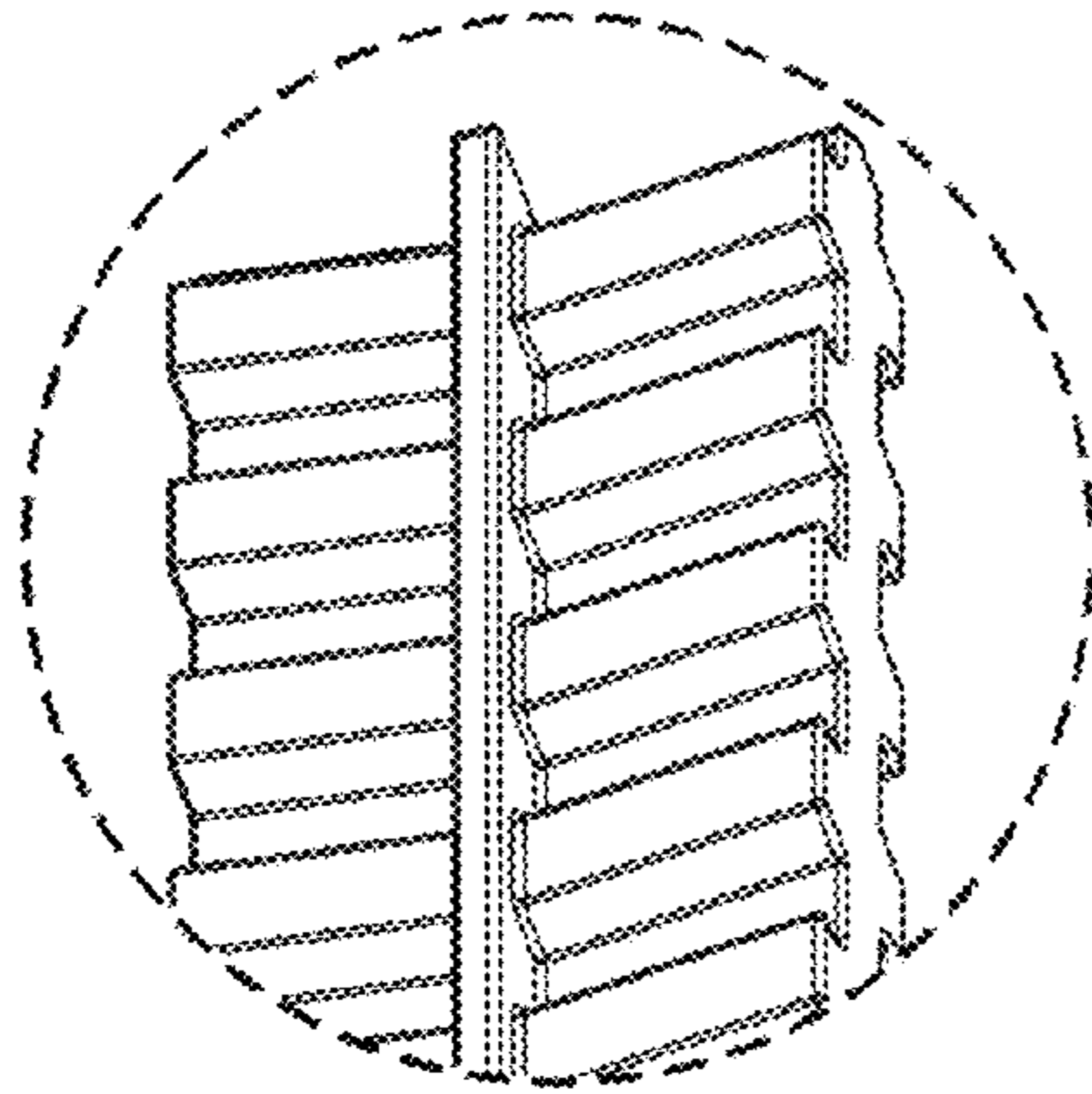


FIG. 17

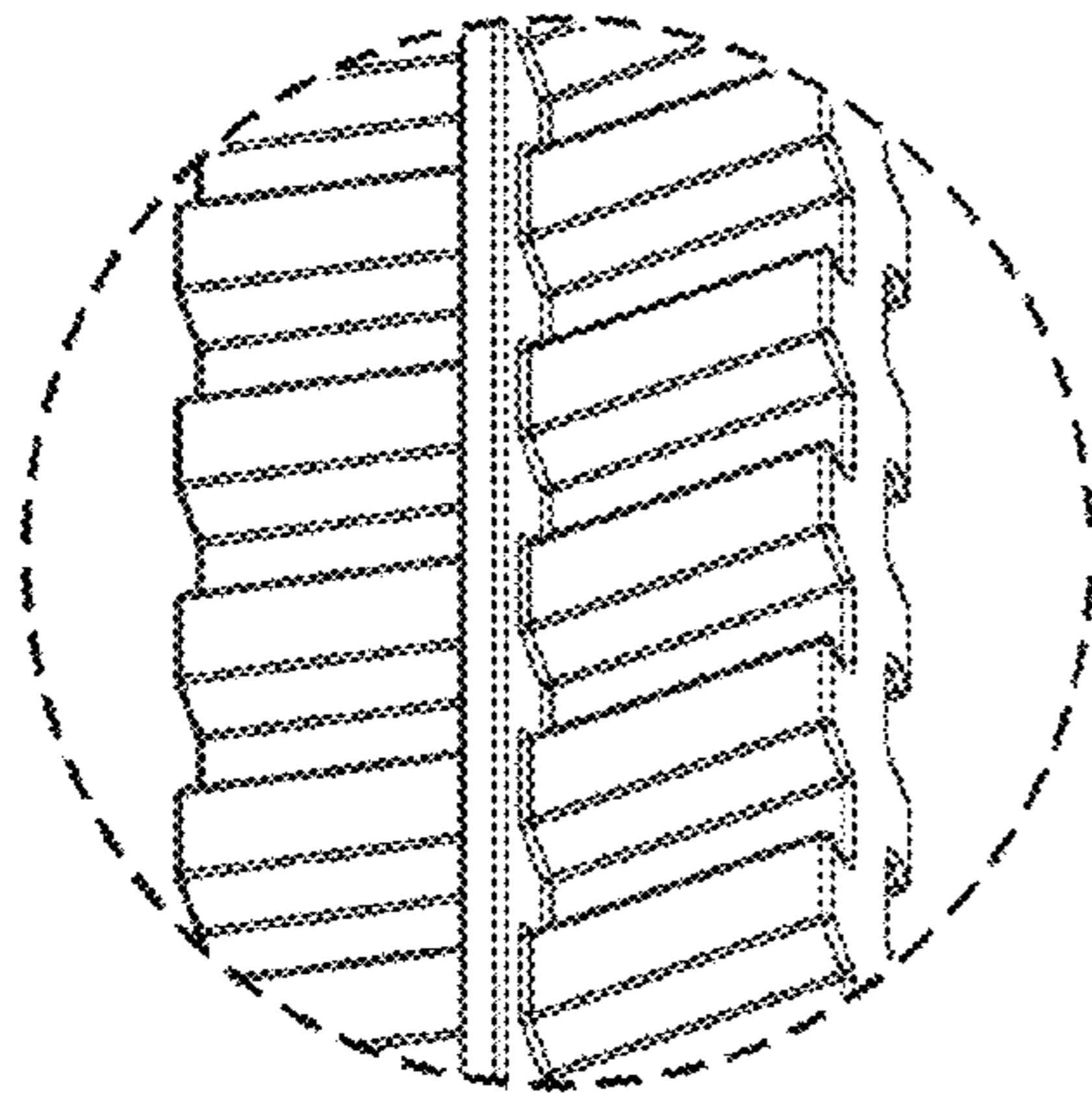


FIG. 18

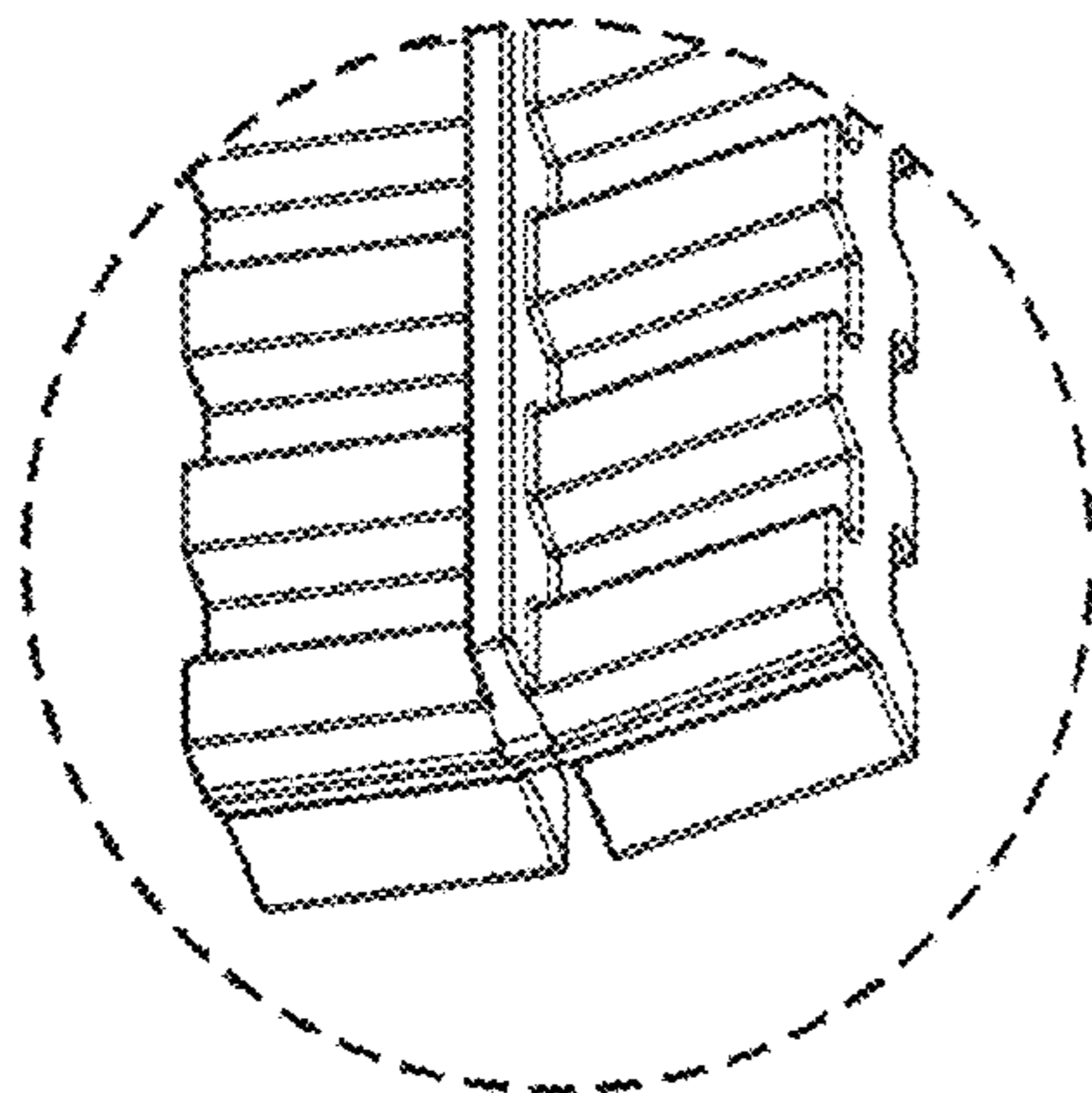


FIG. 19

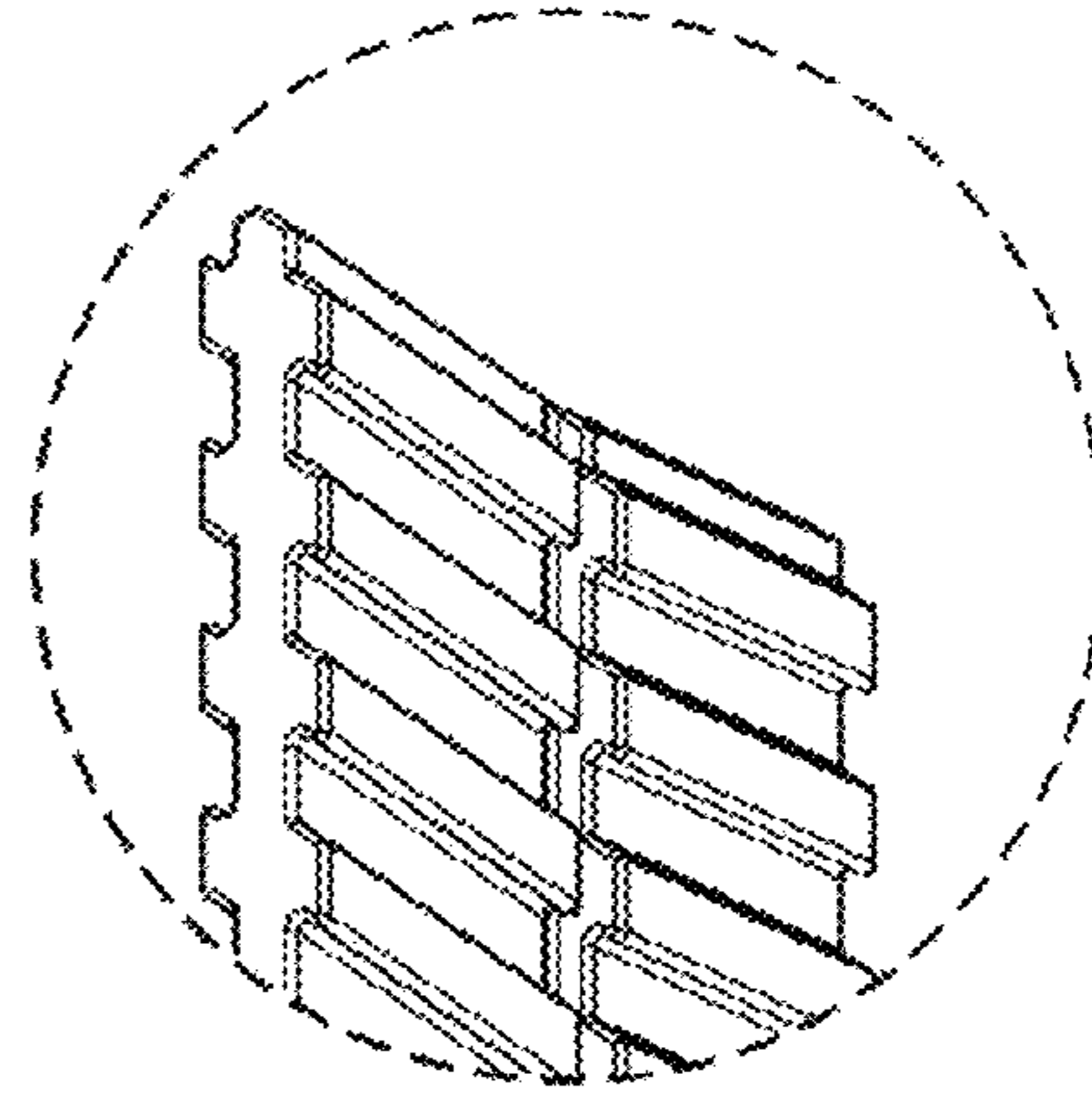


FIG. 20

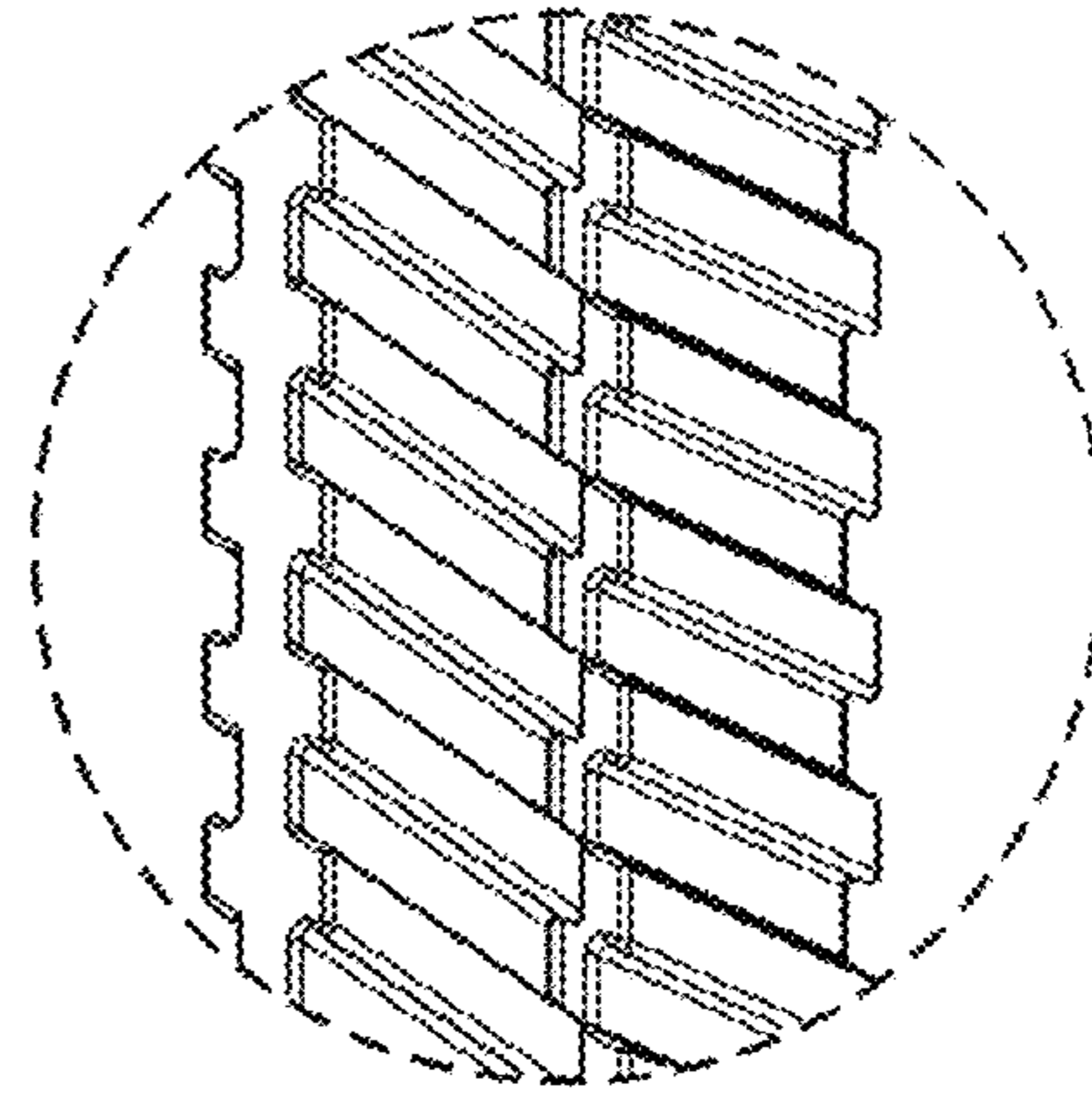


FIG. 21

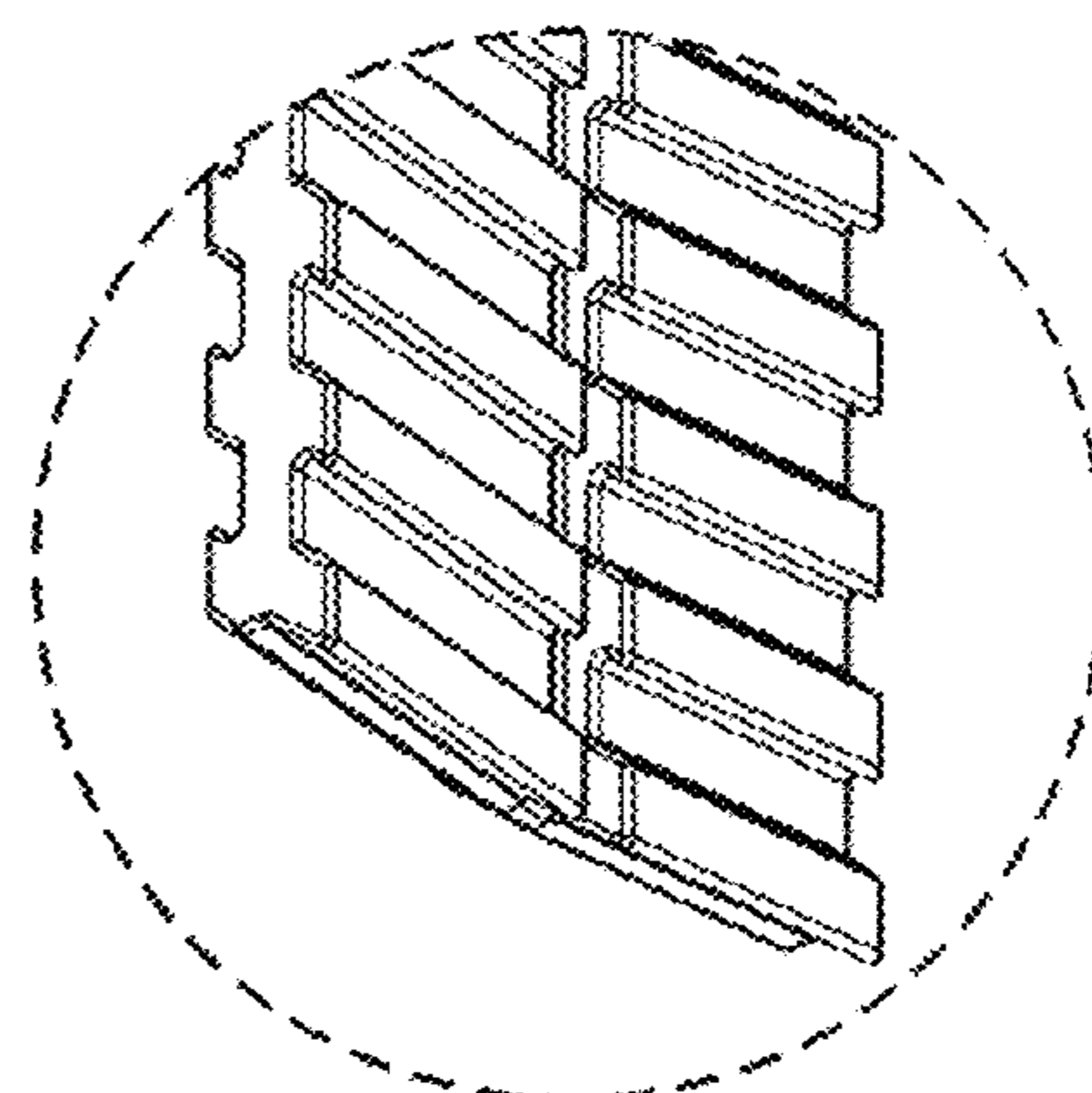


FIG. 22

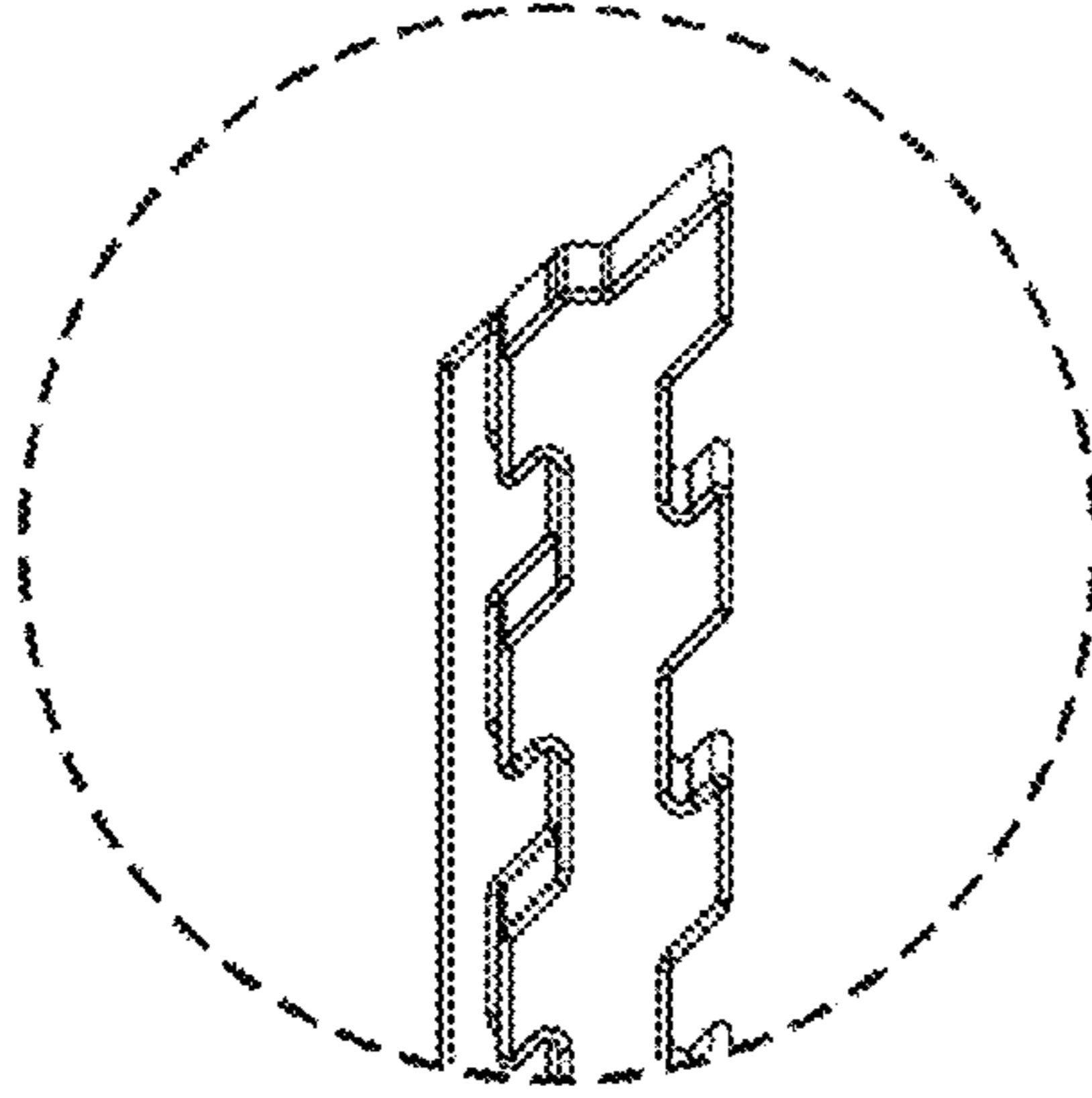


FIG. 23

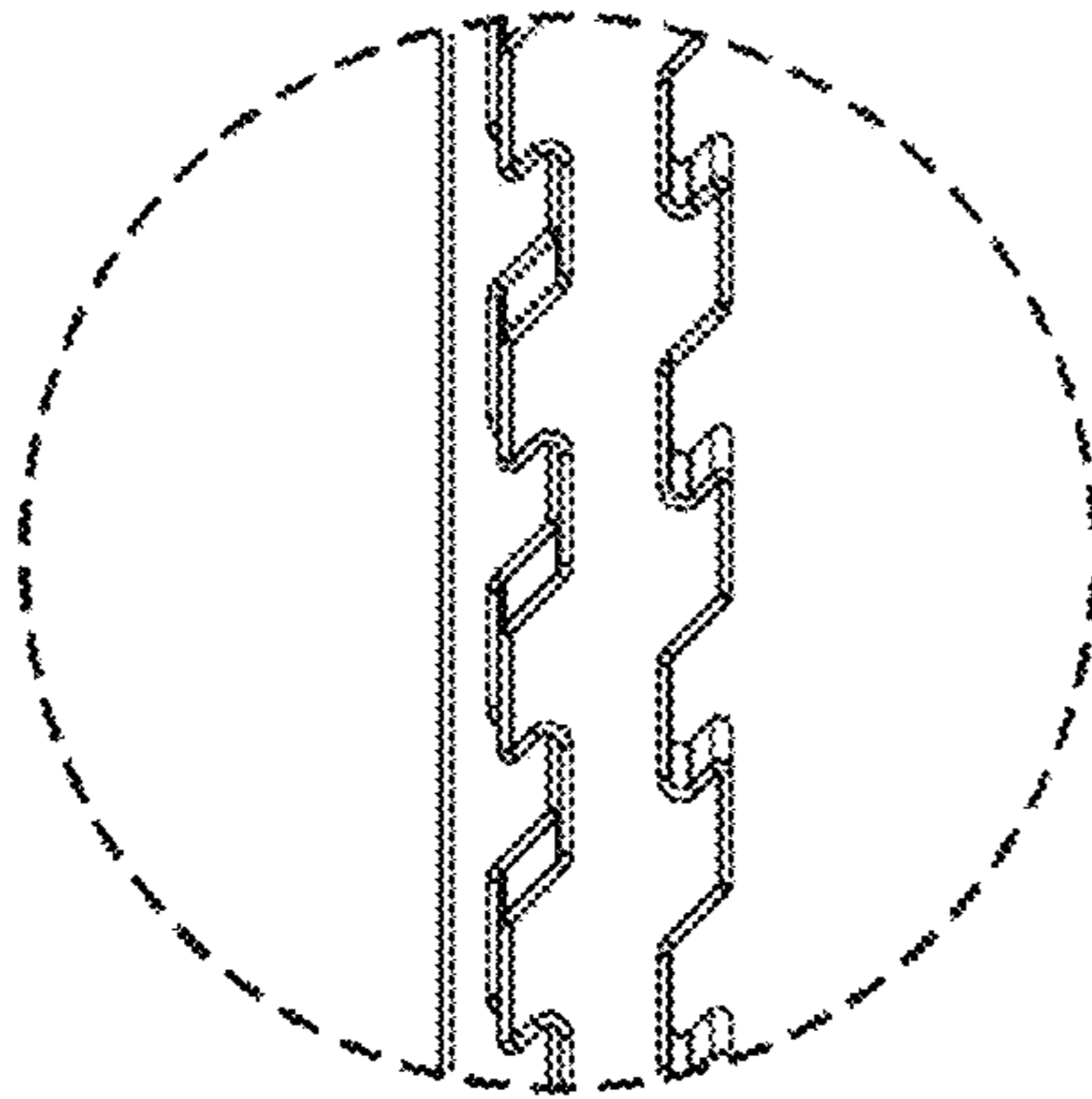


FIG. 24

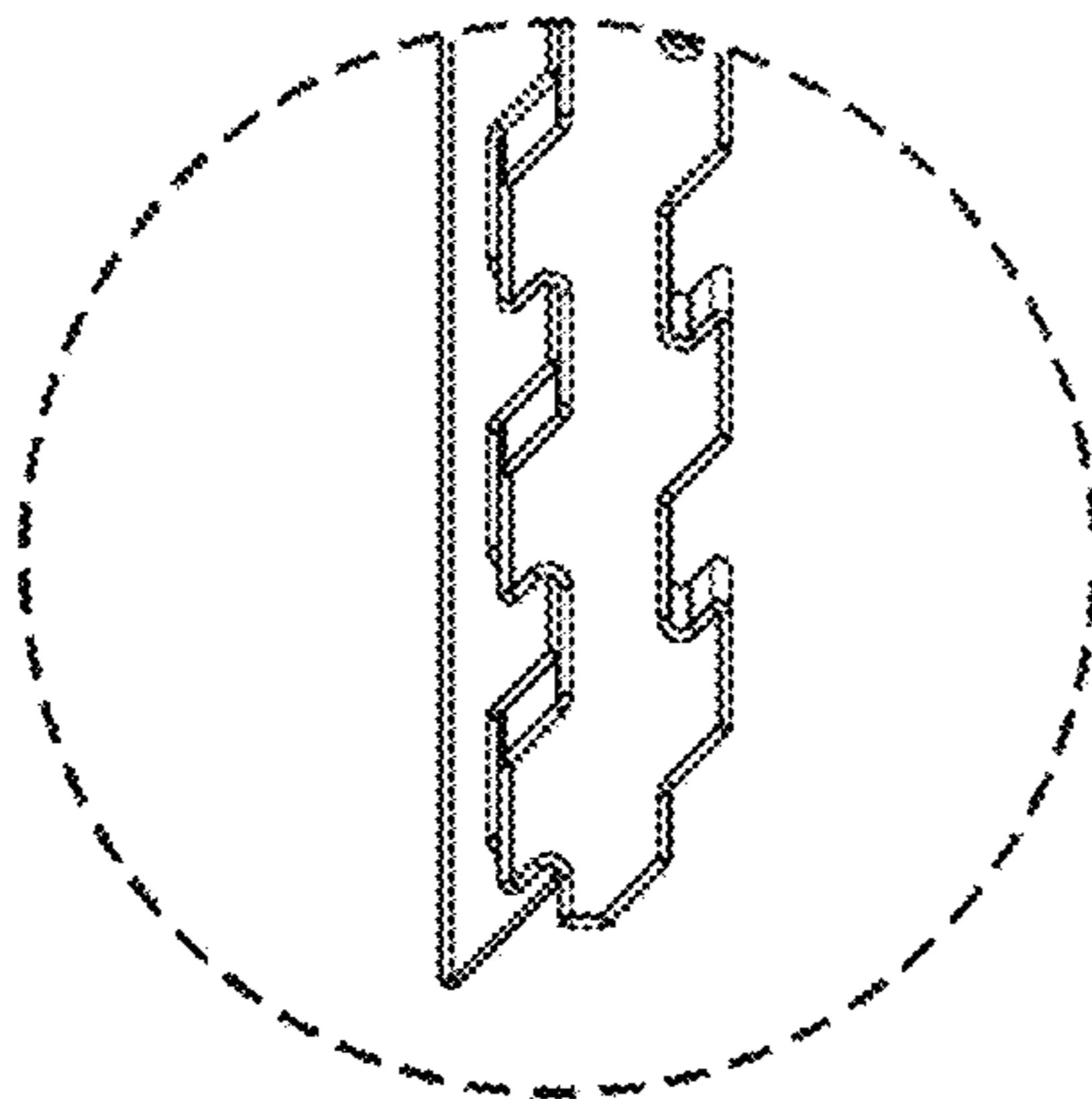


FIG. 25

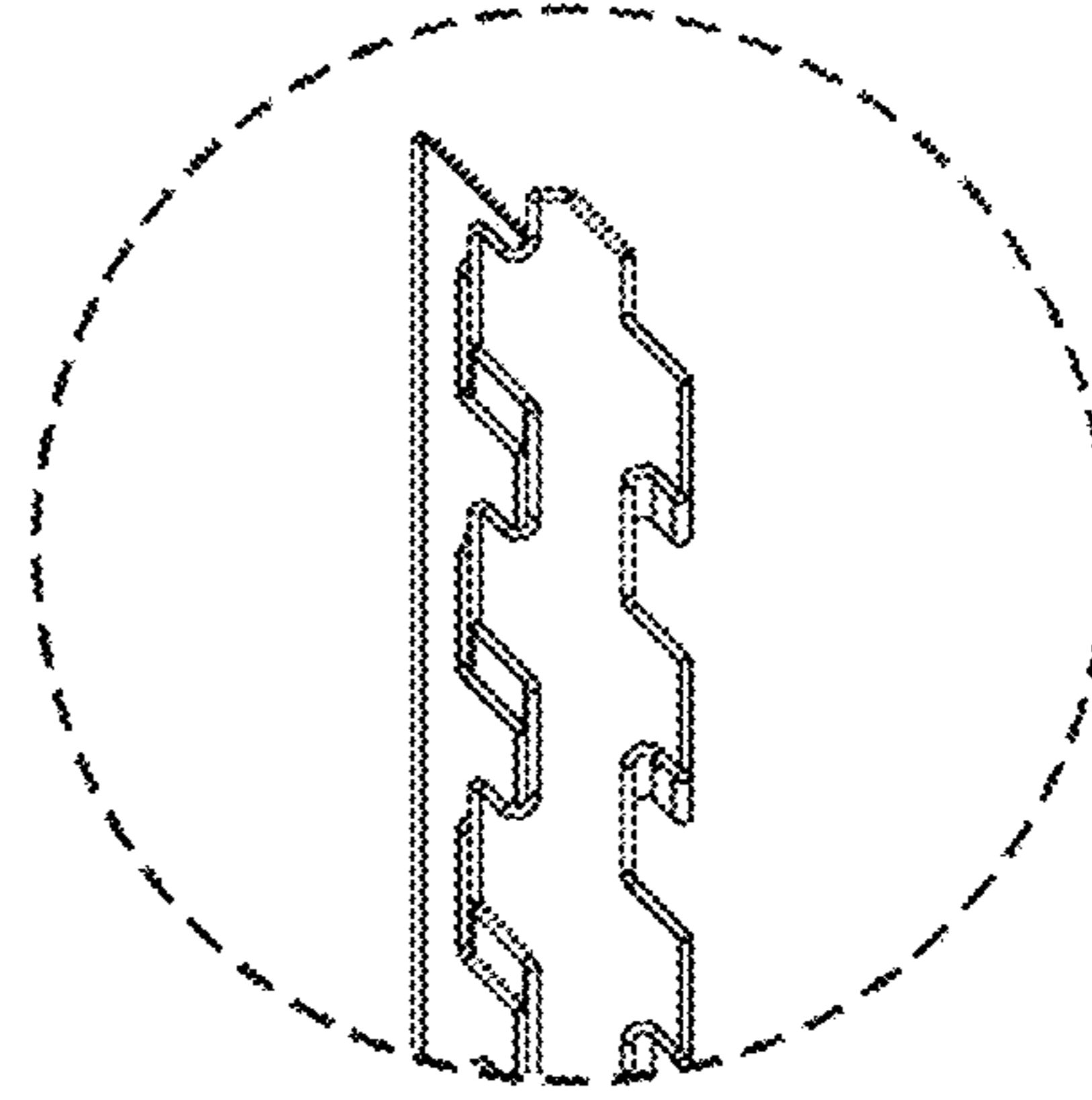


FIG. 26

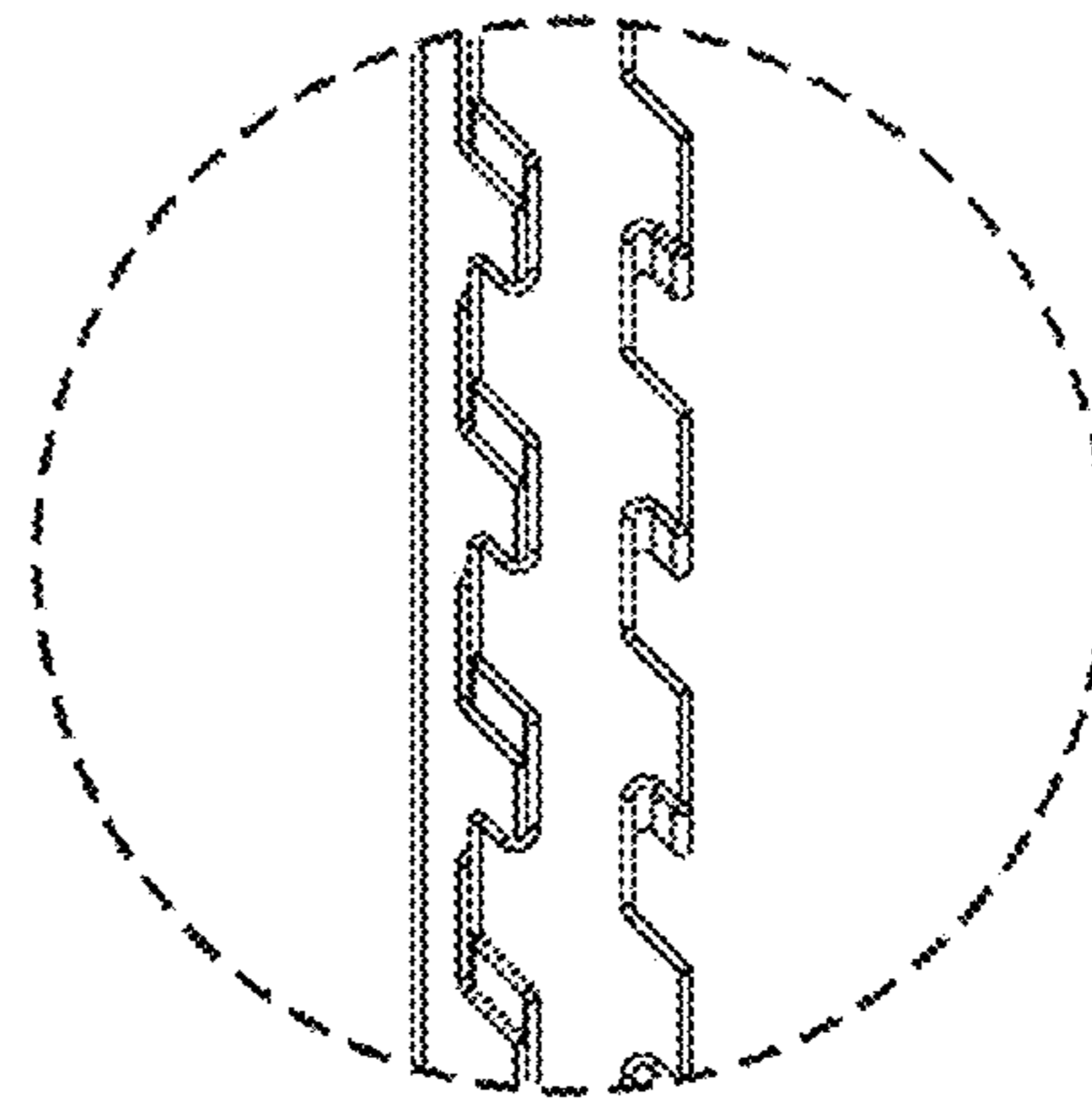


FIG. 27

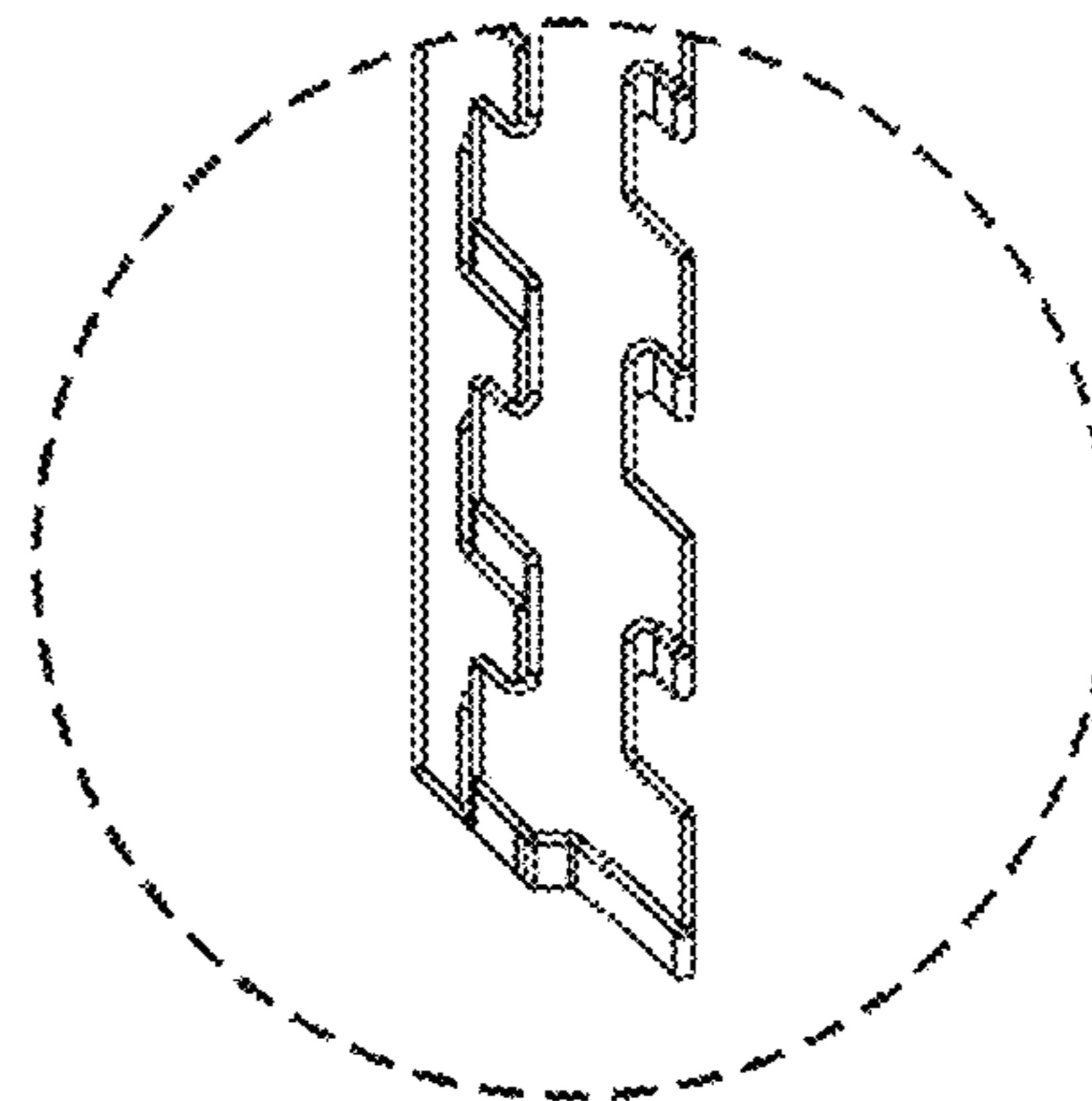


FIG. 28