



US00D735440S

(12) **United States Design Patent**
Randall

(10) **Patent No.:** **US D735,440 S**
(45) **Date of Patent:** **** Jul. 28, 2015**

(54) **MULTISPACE PARKING PAY STATION**
(71) Applicant: **IPS Group, Inc.**, San Diego, CA (US)
(72) Inventor: **Chad P. Randall**, San Diego, CA (US)
(73) Assignee: **IPS GROUP, INC.**, San Diego, CA (US)
(**) Term: **14 Years**

D460,005 S 7/2002 Jacquet
6,505,774 B1 1/2003 Fulcher et al.
D472,362 S * 3/2003 Zerman et al. D99/28
D481,516 S * 10/2003 Magee et al. D99/28
D485,417 S * 1/2004 Magee et al. D99/28
D488,280 S * 4/2004 Zerman et al. D99/28
D492,080 S * 6/2004 Magee et al. D99/28
D492,081 S 6/2004 Magee
D494,730 S * 8/2004 Magee et al. D99/28

(Continued)

(21) Appl. No.: **29/477,405**
(22) Filed: **Dec. 20, 2013**
(51) **LOC (10) Cl.** **99-00**
(52) **U.S. Cl.**
USPC **D99/28**
(58) **Field of Classification Search**
USPC D99/28, 34, 35, 36, 43, 99;
D14/300-302, 305, 307, 900-902;
D18/3.1-3.3, 4.1-4.6, 12.1-12.3;
D21/324, 325, 329, 369, 370; 101/66;
109/1 R, 1 V, 2, 23, 24.1, 25, 58, 58.5,
109/66; 446/8-13; 705/16, 17, 18, 42, 43,
705/44, 45; 235/51, 379, 380, 382
See application file for complete search history.

OTHER PUBLICATIONS

U.S. Appl. No. 29/466,268, filed Sep. 5, 2013, Randall et al.
(Continued)

Primary Examiner — Elizabeth J Oswecki
(74) *Attorney, Agent, or Firm* — Wilson Sonsini Goodrich & Rosati

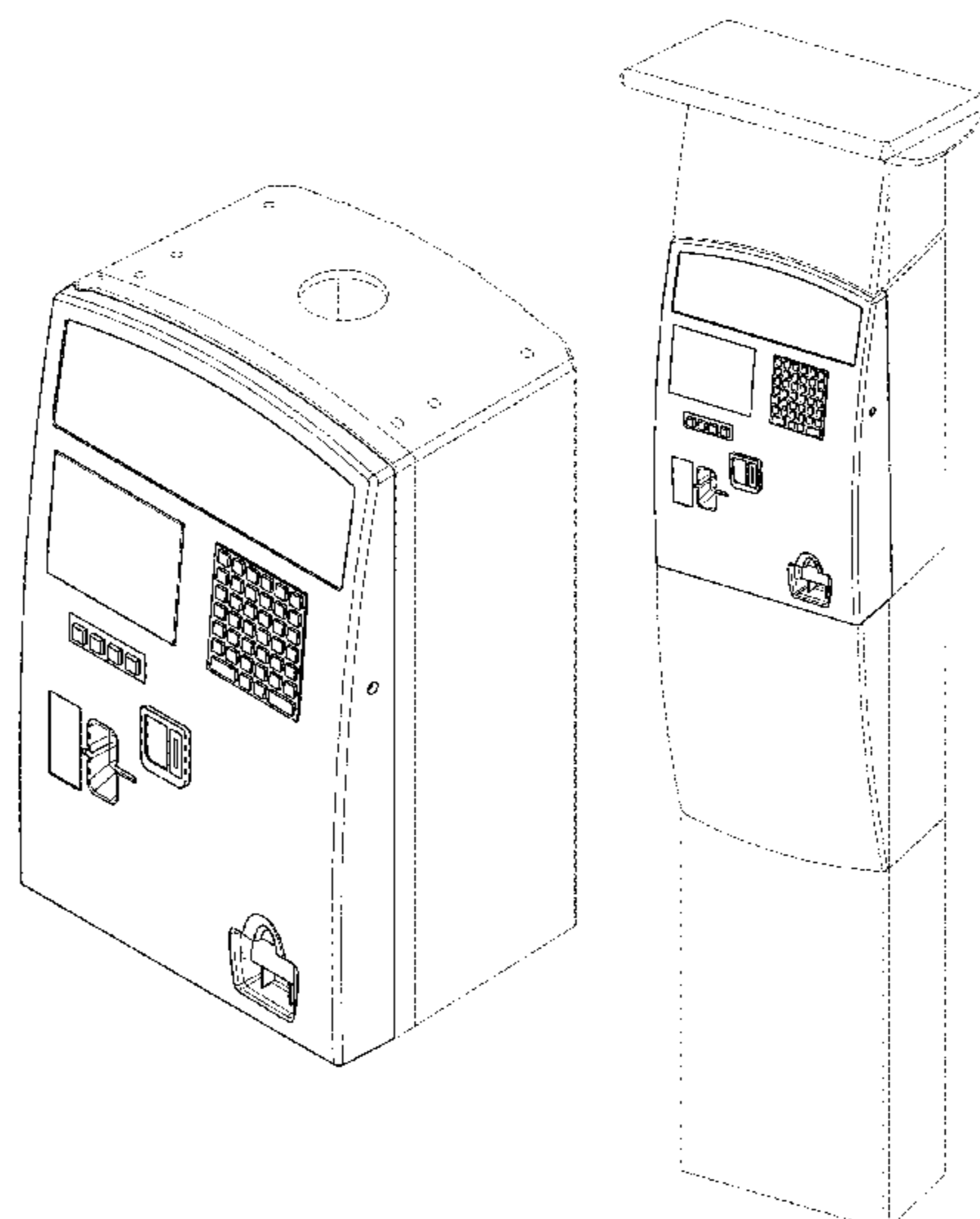
(57) **CLAIM**
The ornamental design for a multispace parking pay station, as shown and described.

DESCRIPTION

FIG. 1 is a top front perspective view of a multispace parking pay station, showing my new design;
FIG. 2 is a front elevational view thereof, shown in a used condition;
FIG. 3 is a top front perspective view thereof, shown in a used condition;
FIG. 4 is a right side elevational view thereof;
FIG. 5 is a left side elevational view thereof;
FIG. 6 is a top plan view thereof; and,
FIG. 7 is a bottom plan view thereof.
The broken lines shown in the drawings represent portions of the multispace parking pay station that form no part of the claimed design.
All surfaces not shown form no part of the claimed design.

(56) **References Cited**
U.S. PATENT DOCUMENTS
D278,689 S 5/1985 Jupe
5,065,156 A 11/1991 Bernier
D336,860 S 6/1993 Clough
D342,209 S 12/1993 Clough
D360,734 S 7/1995 Hall
D375,607 S * 11/1996 Hall D99/28
D396,655 S 8/1998 Anderson
D412,289 S 7/1999 Winwood
D431,788 S 10/2000 Tuxen et al.
6,230,868 B1 5/2001 Tuxen et al.
6,275,169 B1 8/2001 Krygler et al.
D448,910 S 10/2001 Kit
D450,253 S 11/2001 Marguet
D454,421 S * 3/2002 Jeon et al. D99/28

1 Claim, 7 Drawing Sheets



(56)

References Cited

U.S. PATENT DOCUMENTS

D497,814 S 11/2004 Odinotsky et al.
 D505,240 S 5/2005 Swaine et al.
 D510,751 S 10/2005 Magee et al.
 7,004,385 B1* 2/2006 Douglass 235/379
 7,019,670 B2 3/2006 Bahar
 7,028,888 B2 4/2006 Laskowski et al.
 7,040,534 B2 5/2006 Turocy et al.
 D538,505 S 3/2007 Kang
 7,222,782 B2* 5/2007 Lute et al. 235/379
 7,284,692 B1 10/2007 Douglass
 D570,920 S 6/2008 Choi
 7,419,091 B1 9/2008 Scanlon
 D579,795 S 11/2008 Martinez et al.
 7,445,144 B2 11/2008 Schlabach et al.
 D582,125 S 12/2008 Kang et al.
 7,533,802 B1* 5/2009 McGinley et al. 235/379
 D596,374 S* 7/2009 Kang et al. D99/28
 7,624,919 B2 12/2009 Meek et al.
 7,699,224 B2 4/2010 Molé
 D625,305 S* 10/2010 Bleck et al. D14/307
 D632,740 S 2/2011 Adeline
 D645,223 S* 9/2011 Bleck et al. D99/28
 D652,872 S 1/2012 Mougine et al.
 D653,014 S* 1/2012 Rohan et al. D99/28
 D653,420 S 1/2012 Rohan
 D653,421 S* 1/2012 Rohan et al. D99/28
 D653,424 S* 1/2012 Rohan et al. D99/28
 D672,525 S 12/2012 Lee et al.
 D674,985 S 1/2013 Lee
 D677,035 S* 2/2013 Lee et al. D99/28
 D680,156 S 4/2013 Hernandez et al.
 D681,717 S 5/2013 Helgesson et al.
 D684,745 S 6/2013 Reuter
 D691,165 S 10/2013 Attoma
 D693,983 S 11/2013 Budde et al.
 D696,484 S 12/2013 Lee
 D696,485 S 12/2013 Lee
 D702,913 S 4/2014 Budde

D702,914 S 4/2014 Budde
 D716,515 S 10/2014 Cha
 D722,740 S 2/2015 Budde
 D724,290 S 3/2015 Cha et al.
 D724,811 S 3/2015 Reitinger
 D724,812 S 3/2015 Cha et al.
 D728,190 S 4/2015 Sheley
 2004/0016796 A1 1/2004 Hanna et al.
 2004/0243526 A1 12/2004 Krygler et al.
 2004/0262379 A1 12/2004 Gomes et al.
 2005/0029340 A1* 2/2005 Ferraro 235/379
 2006/0152385 A1 7/2006 Mandy
 2007/0046651 A1 3/2007 Sinclair et al.
 2007/0276724 A1 11/2007 Catt
 2008/0257965 A1 10/2008 Klein et al.
 2008/0265019 A1 10/2008 Artino et al.
 2008/0296365 A1* 12/2008 Schliebe 235/379
 2009/0057398 A1 3/2009 Douglass et al.
 2010/0161489 A1* 6/2010 Goodall et al. 705/45
 2010/0187300 A1 7/2010 Ramachandran et al.
 2010/0241564 A1 9/2010 Miller et al.
 2010/0243729 A1* 9/2010 Russell et al. 235/379
 2011/0133613 A1 6/2011 Descamps et al.
 2012/0286036 A1 11/2012 Jones et al.

OTHER PUBLICATIONS

U.S. Appl. No. 29/466,269, filed Sep. 5, 2013, Randall et al.
 U.S. Appl. No. 29/466,267, filed Sep. 5, 2013, Randall et al.
 U.S. Appl. No. 29/477,176, filed Dec. 19, 2013, Randall et al.
 U.S. Appl. No. 29/477,195, filed Dec. 19, 2013, Randall et al.
 U.S. Appl. No. 29/477,196, filed Dec. 19, 2013, Randall et al.
 U.S. Appl. No. 29/477,200, filed Dec. 19, 2013, Randall et al.
 U.S. Appl. No. 29/477,201, filed Dec. 19, 2013, Randall et al.
 U.S. Appl. No. 29/477,204, filed Dec. 19, 2013, Randall et al.
 U.S. Appl. No. 29/477,321, filed Dec. 20, 2013, Randall et al.
 U.S. Appl. No. 29/477,324, filed Dec. 20, 2013, Randall et al.
 U.S. Appl. No. 29/477,329, filed Dec. 20, 2013, Randall et al.
 U.S. Appl. No. 29/477,339, filed Dec. 20, 2013, Randall et al.
 U.S. Appl. No. 29/477,402, filed Dec. 20, 2013, Randall et al.

* cited by examiner

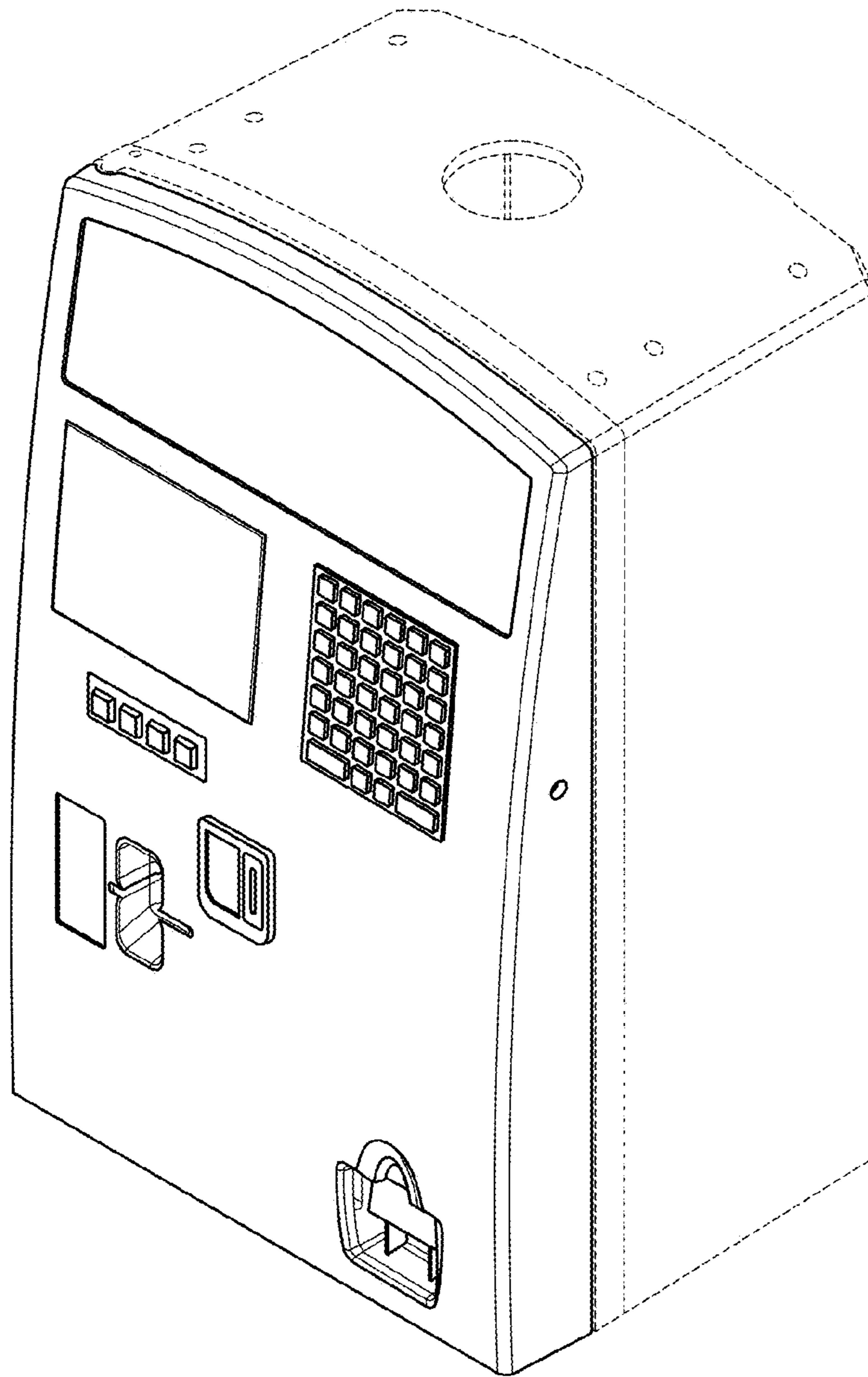


FIG. 1

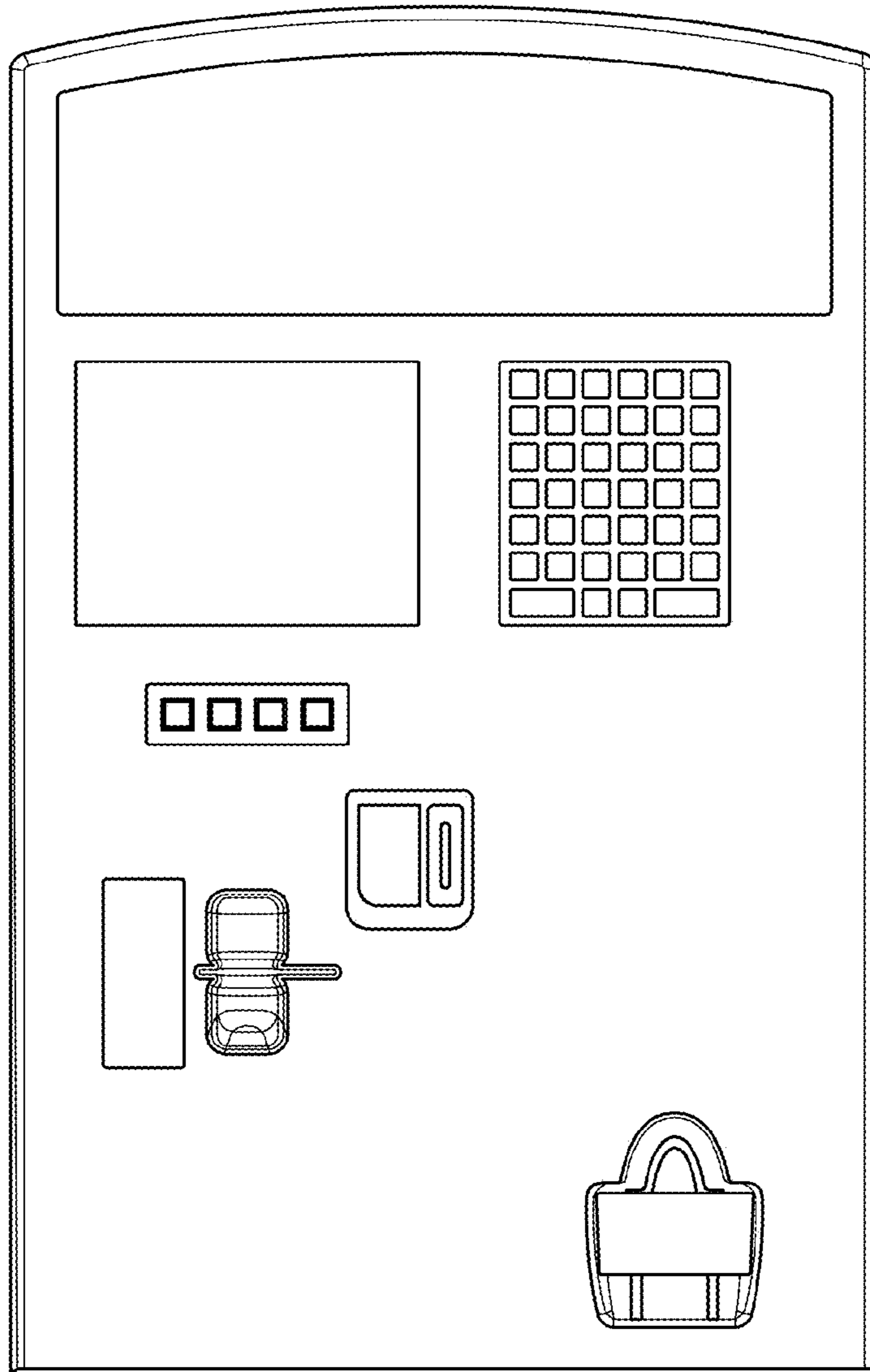


FIG. 2

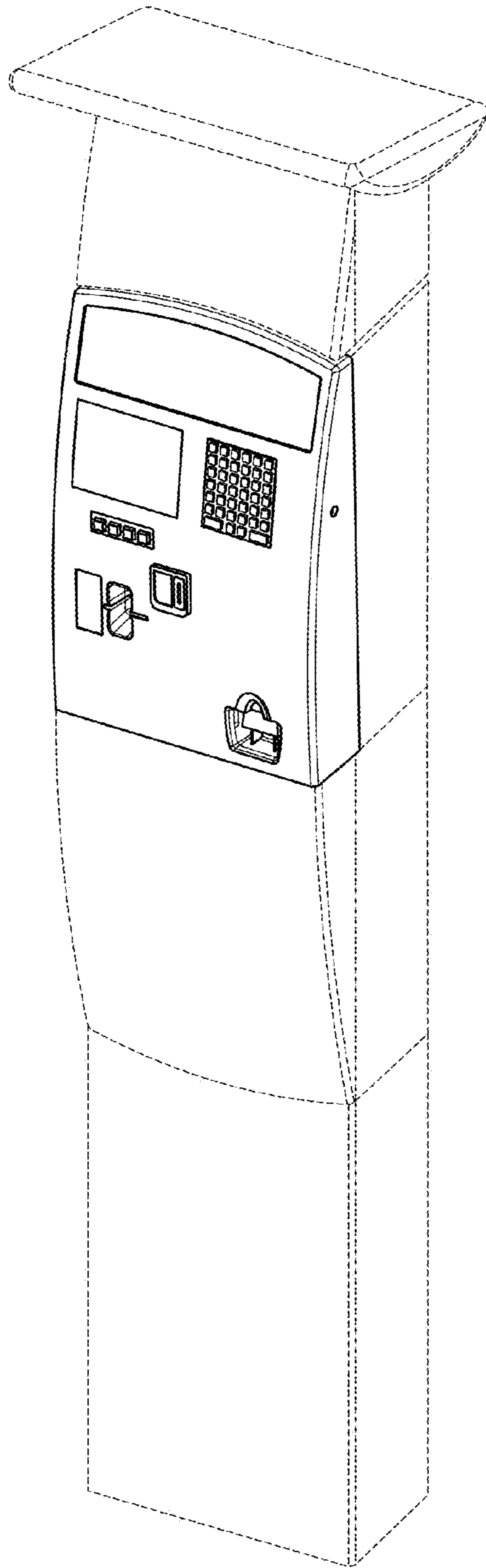


FIG. 3

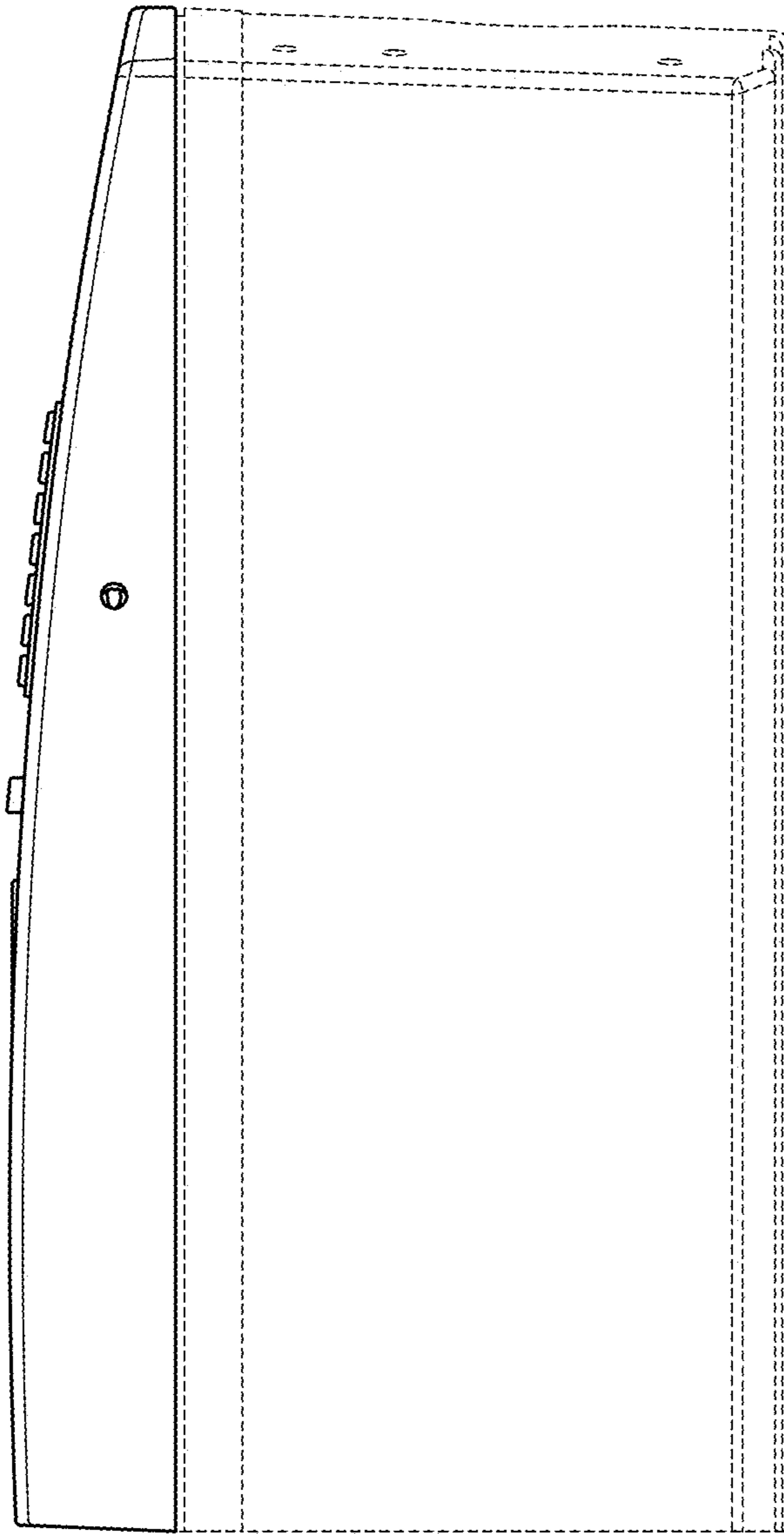


FIG. 4

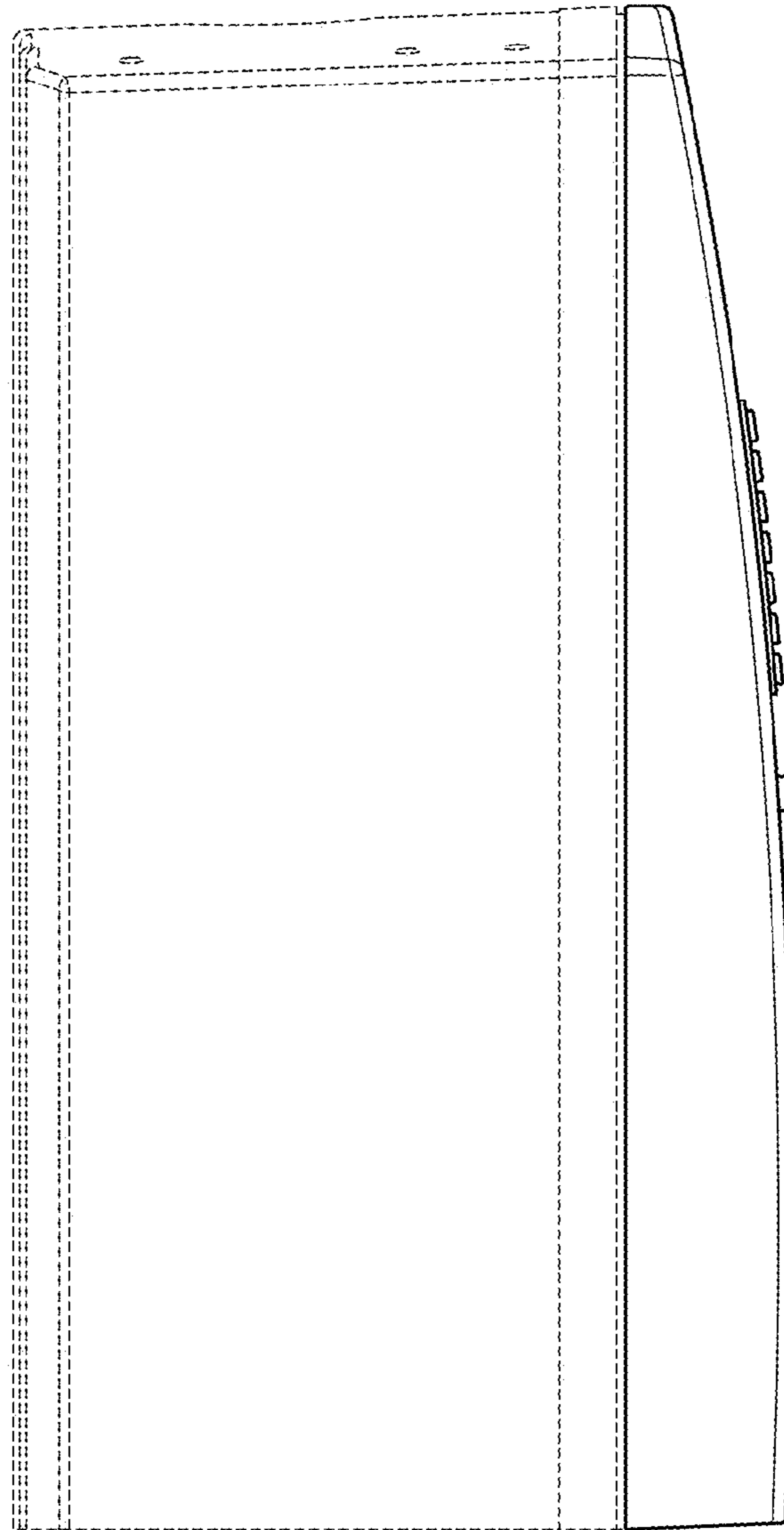


FIG. 5

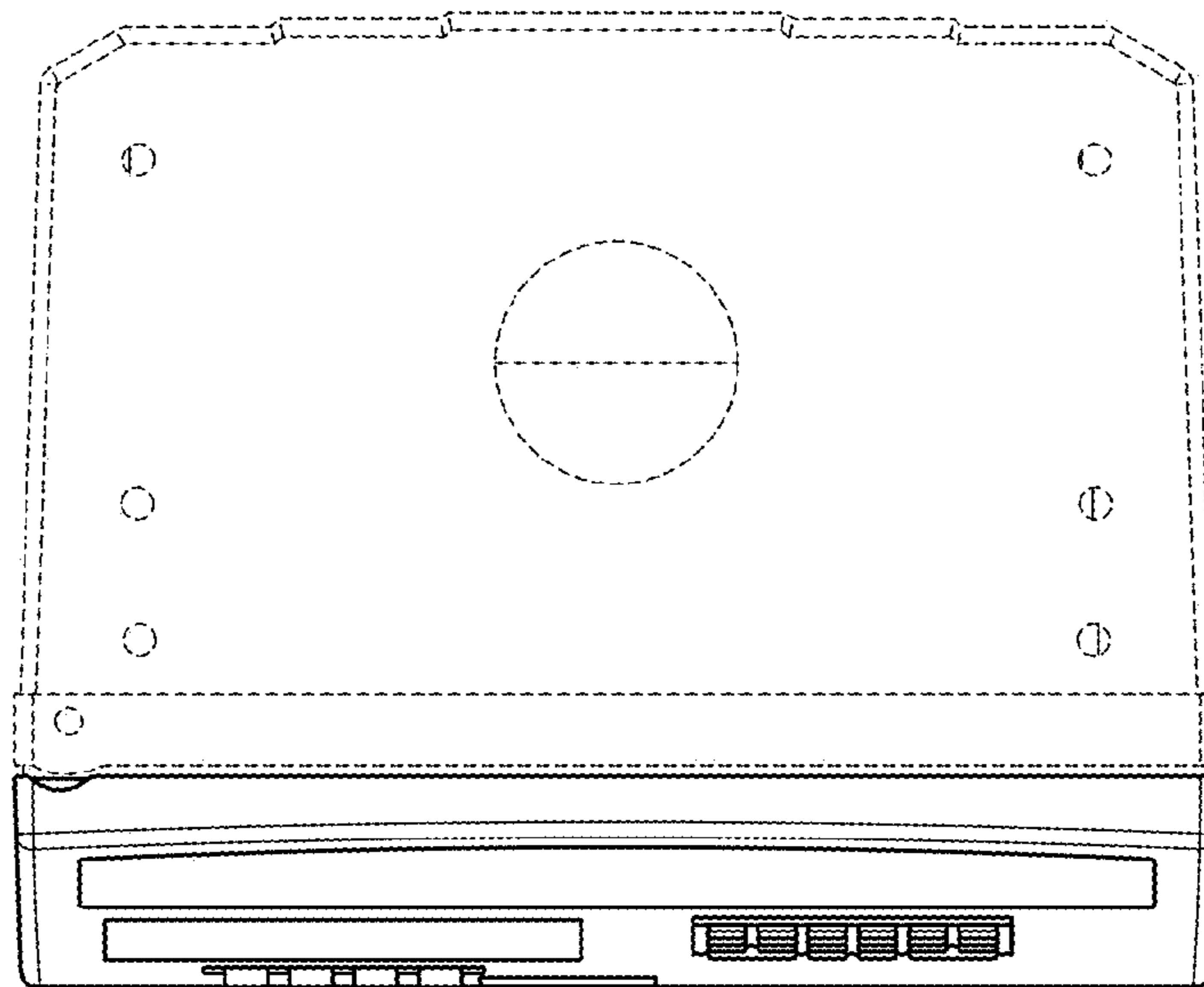


FIG. 6

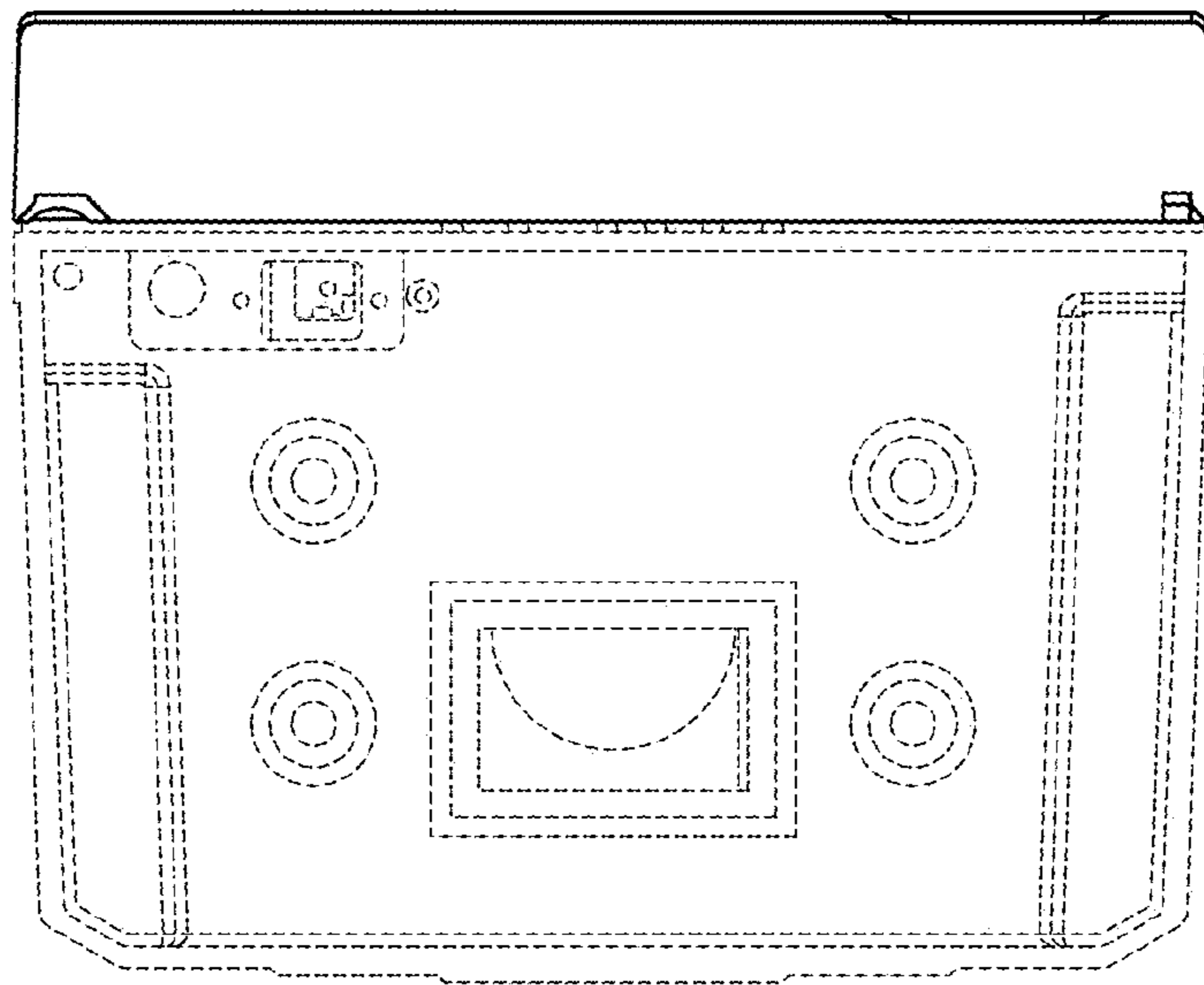


FIG. 7

UNITED STATES PATENT AND TRADEMARK OFFICE
CERTIFICATE OF CORRECTION

PATENT NO. : D735,440 S
APPLICATION NO. : 29/477405
DATED : July 28, 2015
INVENTOR(S) : Chad P. Randall et al.

Page 1 of 1

It is certified that error appears in the above-identified patent and that said Letters Patent is hereby corrected as shown below:

On the Title Page

Item (12) delete "Randall" and insert --Randall et al.--; and
Item (72) Inventor: "Chad P. Randall, San Diego, CA (US)" should read:
--(72) Inventor(s): Chad P. Randall, San Diego, CA (US);
David William King, Rancho Santa Fe, CA (US);
Ron Lawrence, San Diego, CA (US)--.

Signed and Sealed this
Tenth Day of July, 2018



Andrei Iancu
Director of the United States Patent and Trademark Office