



US00D735437S

(12) **United States Design Patent**  
**Randall**

(10) **Patent No.:** **US D735,437 S**  
(45) **Date of Patent:** **\*\* Jul. 28, 2015**

(54) **MULTISPACE PARKING PAY STATION**  
(71) Applicant: **IPS Group, Inc.**, San Diego, CA (US)  
(72) Inventor: **Chad P. Randall**, San Diego, CA (US)  
(73) Assignee: **IPS GROUP, INC.**, San Diego, CA (US)  
(\*\*) Term: **14 Years**  
(21) Appl. No.: **29/466,267**

D454,421 S \* 3/2002 Jeon et al. .... D99/28  
D460,005 S 7/2002 Jacquet  
6,505,774 B1 1/2003 Fulcher et al.  
D472,362 S \* 3/2003 Zerman et al. .... D99/28  
D481,516 S \* 10/2003 Magee et al. .... D99/28  
D485,417 S \* 1/2004 Magee et al. .... D99/28  
D488,280 S \* 4/2004 Zerman et al. .... D99/28  
D492,080 S \* 6/2004 Magee et al. .... D99/28  
D492,081 S \* 6/2004 Magee et al. .... D99/28  
D494,730 S \* 8/2004 Magee et al. .... D99/28  
D497,814 S 11/2004 Odintsky et al.  
D505,240 S 5/2005 Swaine et al.

(Continued)

(22) Filed: **Sep. 5, 2013**  
(51) **LOC (10) Cl.** ..... **99-00**  
(52) **U.S. Cl.**  
USPC ..... **D99/28**  
(58) **Field of Classification Search**  
USPC ..... D99/28, 34, 35, 36, 43, 99;  
D14/300-302, 305, 307, 900-902;  
D18/3.1-3.3, 4.1-4.6, 12.1-12.3;  
D21/324, 325, 329, 369, 370; 101/66;  
109/1 R, 1 V, 2, 23, 24.1, 25, 58, 58.5,  
109/66; 446/8-13; 705/16, 17, 18, 42, 43,  
705/44, 45; 235/51, 379, 380, 381, 382  
See application file for complete search history.

**OTHER PUBLICATIONS**

U.S. Appl. No. 29/466,268, filed Sep. 5, 2013, Randall et al.  
(Continued)

*Primary Examiner* — Elizabeth J Oswecki  
(74) *Attorney, Agent, or Firm* — Wilson Sonsini Goodrich & Rosati

(57) **CLAIM**  
The ornamental design for a multispace parking pay station, as shown and described.

(56) **References Cited**

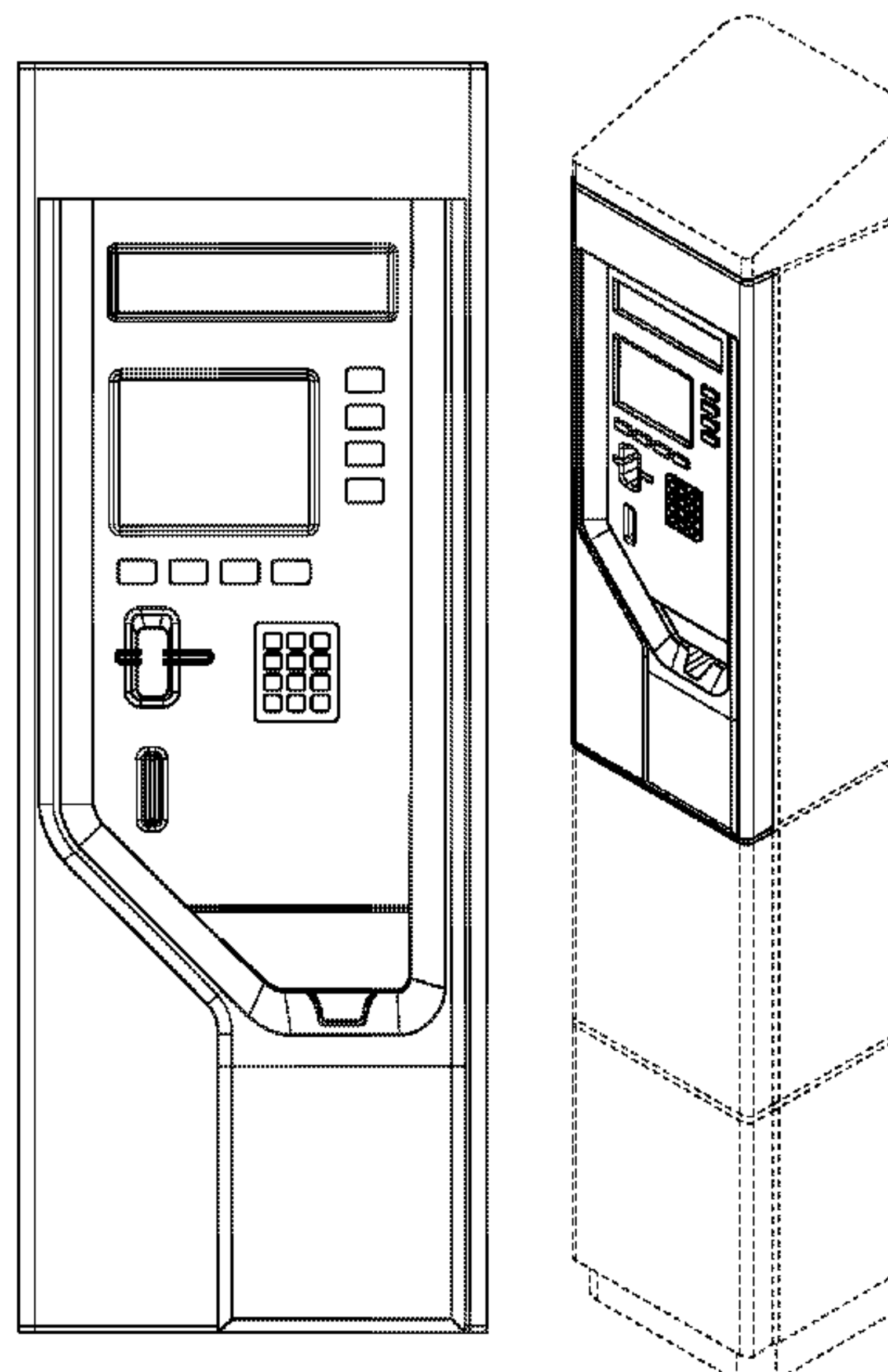
**DESCRIPTION**

**U.S. PATENT DOCUMENTS**

D278,689 S 5/1985 Carlen  
5,065,156 A 11/1991 Bernier  
D336,860 S 6/1993 Clough  
D342,209 S 12/1993 Clough  
D360,734 S 7/1995 Hall  
D375,607 S \* 11/1996 Hall ..... D99/28  
D396,655 S 8/1998 Anderson  
D412,289 S 7/1999 Winwood  
D431,788 S 10/2000 Tuxen et al.  
6,230,868 B1 5/2001 Tuxen et al.  
6,275,169 B1 8/2001 Krygler et al.  
D448,910 S 10/2001 Kit  
D450,253 S 11/2001 Marguet

FIG. 1 is a front elevational view of a multispace parking pay station, showing my new design;  
FIG. 2 is a front elevational view thereof, shown in a used condition;  
FIG. 3 is a top front perspective view thereof;  
FIG. 4 is a right side elevational view thereof; and,  
FIG. 5 is a left side elevational view thereof.  
The broken lines shown in the drawings represent portions of the multispace parking pay station that form no part of the claimed design.  
All surfaces not shown form no part of the claimed design.

**1 Claim, 5 Drawing Sheets**



(56)

References Cited

U.S. PATENT DOCUMENTS

D510,751 S 10/2005 Magee et al.  
 7,004,385 B1 \* 2/2006 Douglass ..... 235/379  
 7,019,670 B2 3/2006 Bahar  
 7,028,888 B2 4/2006 Laskowski et al.  
 7,040,534 B2 5/2006 Turocy et al.  
 D538,505 S \* 3/2007 Kang et al. .... D99/28  
 7,222,782 B2 \* 5/2007 Lute et al. .... 235/379  
 7,284,692 B1 10/2007 Douglass  
 D570,920 S 6/2008 Choi  
 7,419,091 B1 9/2008 Scanlon  
 D579,795 S 11/2008 Franck et al.  
 7,445,144 B2 11/2008 Schlabach et al.  
 D582,125 S 12/2008 Kang et al.  
 7,533,802 B1 \* 5/2009 McGinley et al. .... 235/379  
 D596,374 S \* 7/2009 Kang et al. .... D99/28  
 7,624,919 B2 12/2009 Meek et al.  
 7,699,224 B2 4/2010 Molé  
 D625,305 S \* 10/2010 Bleck et al. .... D14/307  
 D632,740 S 2/2011 Adeline  
 D645,223 S \* 9/2011 Bleck et al. .... D99/28  
 D652,872 S 1/2012 Mougín et al.  
 D653,014 S \* 1/2012 Rohan et al. .... D99/28  
 D653,420 S \* 1/2012 Rohan et al. .... D99/28  
 D653,421 S \* 1/2012 Rohan et al. .... D99/28  
 D653,424 S \* 1/2012 Rohan et al. .... D99/28  
 D672,525 S 12/2012 Lee et al.  
 D674,985 S 1/2013 Lee  
 D677,035 S \* 2/2013 Lee et al. .... D99/28  
 D680,156 S 4/2013 Hernandez et al.  
 D681,717 S 5/2013 Helgesson et al.  
 D684,745 S 6/2013 Reuter  
 D691,165 S 10/2013 Attoma  
 D693,983 S 11/2013 Budde et al.  
 D696,484 S \* 12/2013 Lee et al. .... D99/28  
 D696,485 S \* 12/2013 Lee et al. .... D99/28  
 D702,913 S \* 4/2014 Budde et al. .... D99/28  
 D702,914 S \* 4/2014 Budde et al. .... D99/28

D716,515 S 10/2014 Cha  
 D722,740 S \* 2/2015 Budde et al. .... D99/28  
 D724,290 S 3/2015 Cha et al.  
 D724,811 S 3/2015 Reitingger  
 D724,812 S 3/2015 Cha et al.  
 D728,190 S 4/2015 Sheley  
 2004/0016796 A1 1/2004 Hanna et al.  
 2004/0243526 A1 12/2004 Krygler et al.  
 2004/0262379 A1 12/2004 Gomes  
 2005/0029340 A1 \* 2/2005 Ferraro ..... 235/379  
 2006/0152385 A1 7/2006 Mandy  
 2007/0046651 A1 3/2007 Sinclair et al.  
 2007/0276724 A1 11/2007 Catt  
 2008/0257965 A1 10/2008 Klein et al.  
 2008/0265019 A1 10/2008 Artino et al.  
 2008/0296365 A1 \* 12/2008 Schliebe ..... 235/379  
 2009/0057398 A1 \* 3/2009 Douglass et al. .... 235/379  
 2010/0161489 A1 \* 6/2010 Goodall et al. .... 705/45  
 2010/0187300 A1 7/2010 Ramachandran et al.  
 2010/0241564 A1 9/2010 Miller et al.  
 2010/0243729 A1 \* 9/2010 Russell et al. .... 235/379  
 2011/0133613 A1 6/2011 Descamps et al.  
 2012/0286036 A1 11/2012 Jones et al.

OTHER PUBLICATIONS

U.S. Appl. No. 29/466,269, filed Sep. 5, 2013, Randall et al.  
 U.S. Appl. No. 29/477,176, filed Dec. 19, 2013, Randall et al.  
 U.S. Appl. No. 29/477,195, filed Dec. 19, 2013, Randall et al.  
 U.S. Appl. No. 29/477,196, filed Dec. 19, 2013, Randall et al.  
 U.S. Appl. No. 29/477,200, filed Dec. 19, 2013, Randall et al.  
 U.S. Appl. No. 29/477,201, filed Dec. 19, 2013, Randall et al.  
 U.S. Appl. No. 29/477,204, filed Dec. 19, 2013, Randall et al.  
 U.S. Appl. No. 29/477,321, filed Dec. 20, 2013, Randall et al.  
 U.S. Appl. No. 29/477,324, filed Dec. 20, 2013, Randall et al.  
 U.S. Appl. No. 29/477,329, filed Dec. 20, 2013, Randall et al.  
 U.S. Appl. No. 29/477,339, filed Dec. 20, 2013, Randall et al.  
 U.S. Appl. No. 29/477,402, filed Dec. 20, 2013, Randall et al.  
 U.S. Appl. No. 29/477,405, filed Dec. 20, 2013, Randall et al.

\* cited by examiner

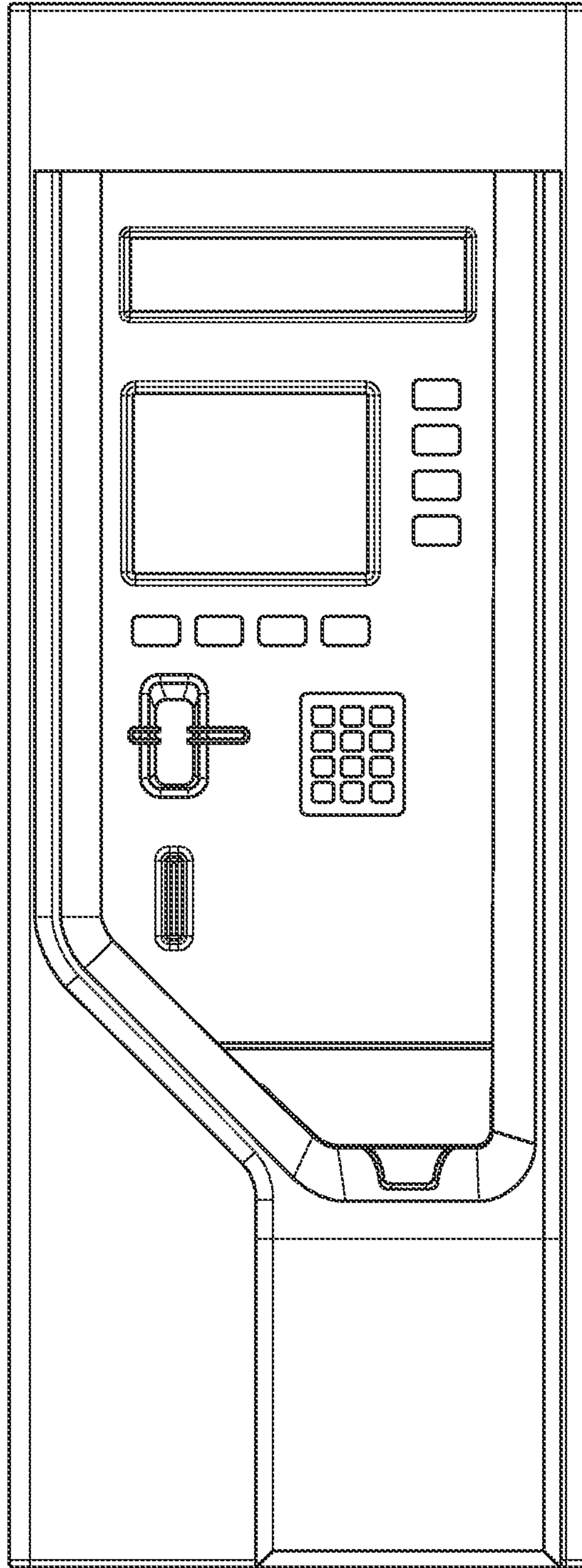


FIG. 1



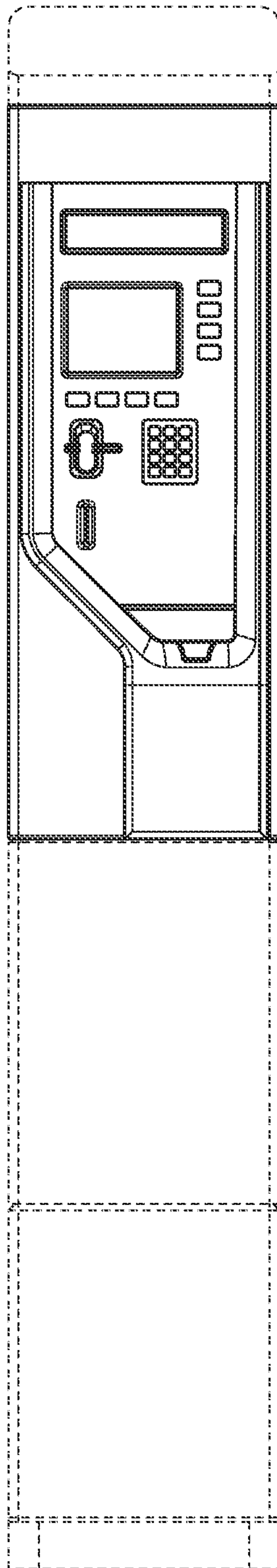


FIG. 2

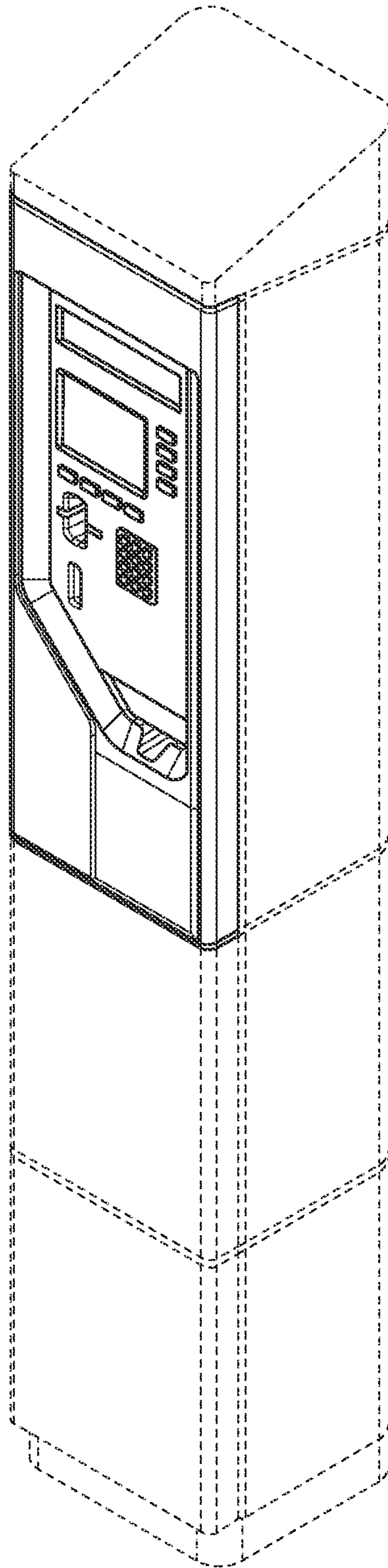


FIG. 3

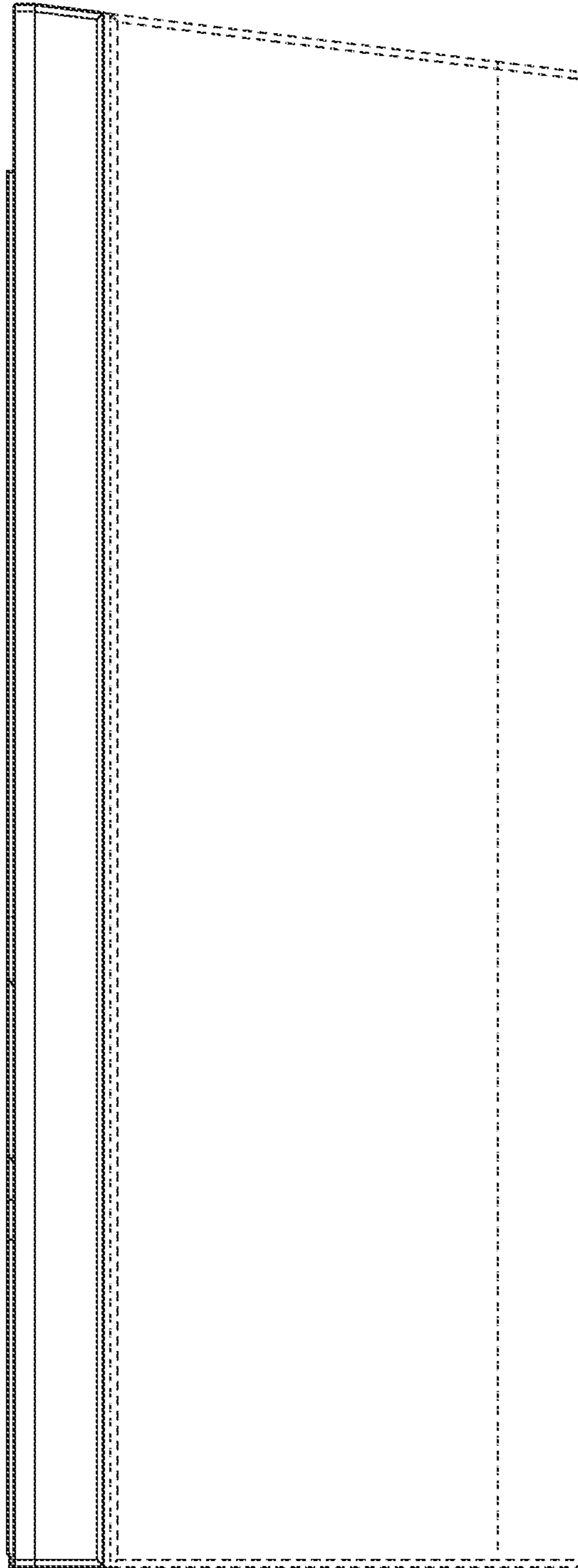


FIG. 4

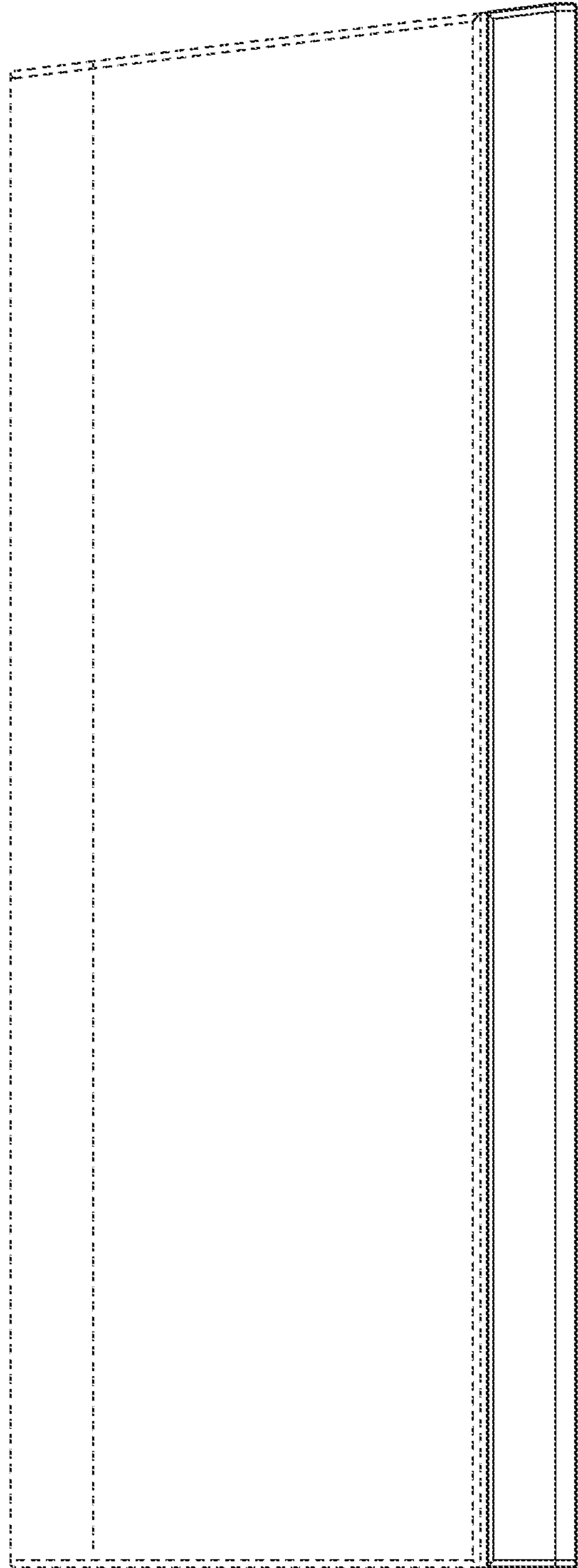


FIG. 5

UNITED STATES PATENT AND TRADEMARK OFFICE  
**CERTIFICATE OF CORRECTION**

PATENT NO. : D735,437 S  
APPLICATION NO. : 29/466267  
DATED : July 28, 2015  
INVENTOR(S) : King et al.

Page 1 of 1

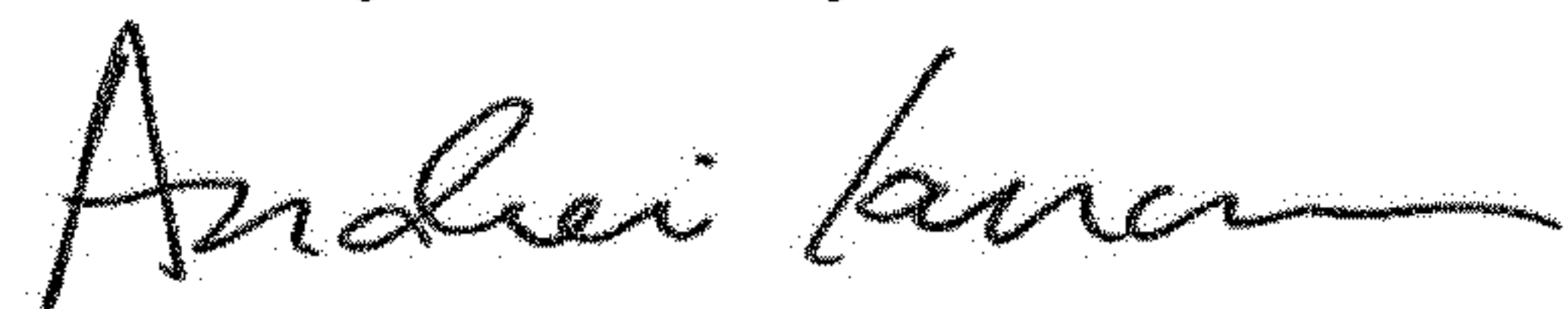
It is certified that error appears in the above-identified patent and that said Letters Patent is hereby corrected as shown below:

On the Title Page

Column 1 item (72) should read:

(72) Inventors David William KING, Rancho Sante Fe, CA (US);  
Ron Lawrence, San Diego, CA (US)

Signed and Sealed this  
Twenty-fifth Day of June, 2019



Andrei Iancu  
*Director of the United States Patent and Trademark Office*