



US00D735435S

(12) **United States Design Patent**  
**Guido, III et al.**

(10) **Patent No.:** **US D735,435 S**  
(45) **Date of Patent:** **\*\* Jul. 28, 2015**

- (54) **WET AREA BRIDGE**
- (71) Applicants: **Nicholas A. Guido, III**, E. Freetown, MA (US); **Mark J. Bergeron**, Marblehead, MA (US); **Mark P. Bergeron**, Clifton Park, NY (US)
- (72) Inventors: **Nicholas A. Guido, III**, E. Freetown, MA (US); **Mark J. Bergeron**, Marblehead, MA (US); **Mark P. Bergeron**, Clifton Park, NY (US)
- (\*\*) Term: **14 Years**
- (21) Appl. No.: **29/475,199**
- (22) Filed: **Dec. 1, 2013**
- (51) **LOC (10) Cl.** ..... **12-05**
- (52) **U.S. Cl.**  
USPC ..... **D34/32**
- (58) **Field of Classification Search**  
USPC ..... D34/32; D25/1, 3, 62, 68; 14/2, 2.4, 14/24-25  
CPC ..... E01D 1/00; E01D 2/00; E01D 4/00; E01D 6/00; E01D 15/12; E01D 15/122; E01D 15/124; E01D 15/127; E01D 15/133  
See application file for complete search history.

D220,673	S	5/1971	Holbrook	
3,768,108	A	10/1973	Wadsworth	
4,226,064	A	10/1980	Kraayenhof	
4,361,614	A	11/1982	Moffitt, Jr.	
4,376,596	A	3/1983	Green	
4,839,935	A	6/1989	Calcagni et al.	
4,965,903	A *	10/1990	Bish	14/2.4
5,042,101	A *	8/1991	Huether	14/2.4
D349,990	S	8/1994	Schottel	
5,579,864	A	12/1996	Shorrock	
D384,483	S	9/1997	Buckman	
D415,575	S	10/1999	Nickel	
6,421,863	B1 *	7/2002	Tiffany	14/2.4
6,446,275	B1	9/2002	Wright et al.	
6,537,642	B1	3/2003	Jacquet	
6,654,977	B1	12/2003	Chin	
6,799,345	B2	10/2004	Occhiolini	
7,240,387	B1	7/2007	Berggren	
7,571,507	B2	8/2009	Holicki	
7,674,980	B2	3/2010	Lubanski	
7,748,068	B2	7/2010	Carroll	
7,861,346	B2	1/2011	Wilson	
8,060,965	B2	11/2011	Yang et al.	
D663,092	S	7/2012	Blocker	

(Continued)

Primary Examiner — Michael A Pratt  
(74) Attorney, Agent, or Firm — John P. McGonagle

(57) **CLAIM**

The ornamental design for a wet area bridge, as shown and described.

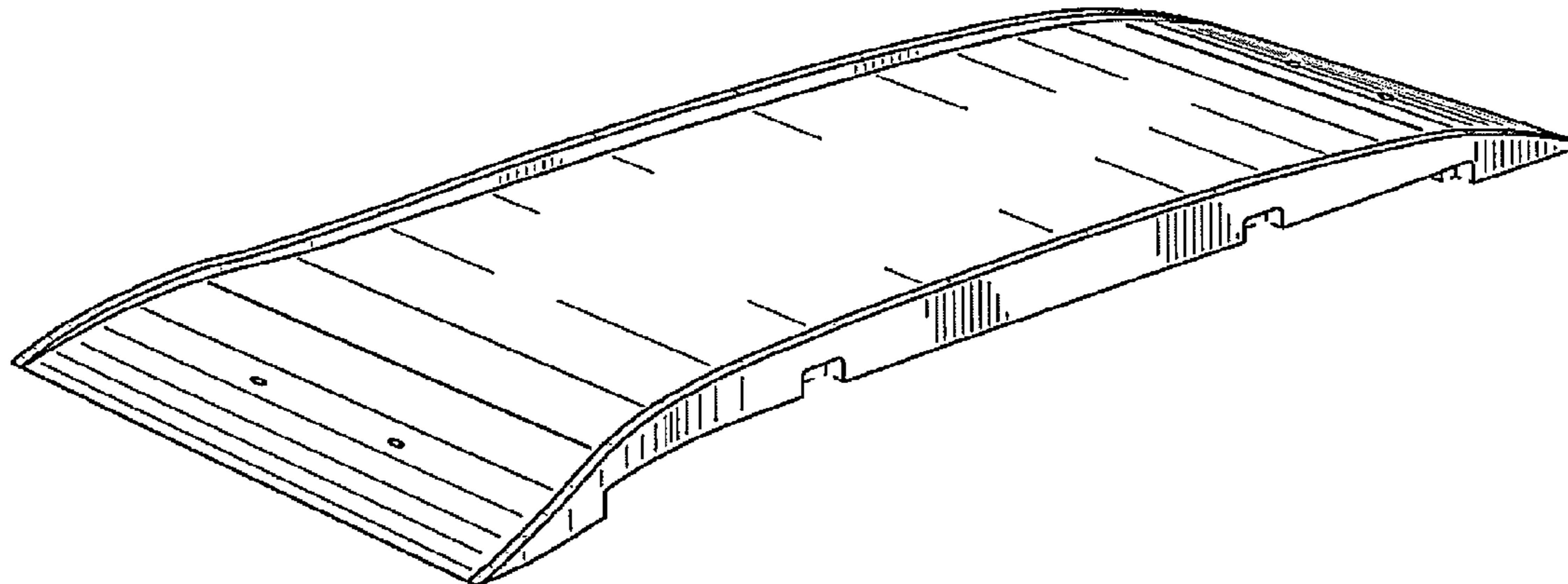
**DESCRIPTION**

FIG. 1 is a front-top perspective view of a wet area bridge embodying my new design;  
FIG. 2 is a top view thereof;  
FIG. 3 is a side view thereof, the opposite side being a mirror image thereof;  
FIG. 4 is a bottom view thereof;  
FIG. 5 is a front view thereof; and,  
FIG. 6 is a rear view thereof.  
The portions of the wet area bridge shown in broken lines form no part of the claimed design.

**1 Claim, 2 Drawing Sheets**

(56) **References Cited**  
U.S. PATENT DOCUMENTS

72,028	A	12/1867	Haase
542,531	A	7/1895	Ogle
596,867	A	1/1898	Frick
754,895	A	3/1904	Rose
1,139,240	A	5/1915	Viche
1,189,632	A	7/1916	Seitz
1,821,734	A	9/1931	Viche
1,838,746	A	12/1931	Day
2,208,080	A	7/1940	Overdorff
2,826,771	A	3/1958	Pruess, Sr.
2,851,311	A	9/1958	Gibbs
3,021,575	A	2/1962	Heisler
3,517,791	A	6/1970	Miles



# US D735,435 S

Page 2

---

(56)

## References Cited

### U.S. PATENT DOCUMENTS

8,250,693 B1	8/2012	Johnson et al.	D682,502 S	5/2013	Guido, III et al.
D670,404 S *	11/2012	Fisette .....	2004/0107519 A1	6/2004	Grody
			2009/0020305 A1	1/2009	Fidler
			2014/0041135 A1*	2/2014	Breault ..... 14/24

\* cited by examiner

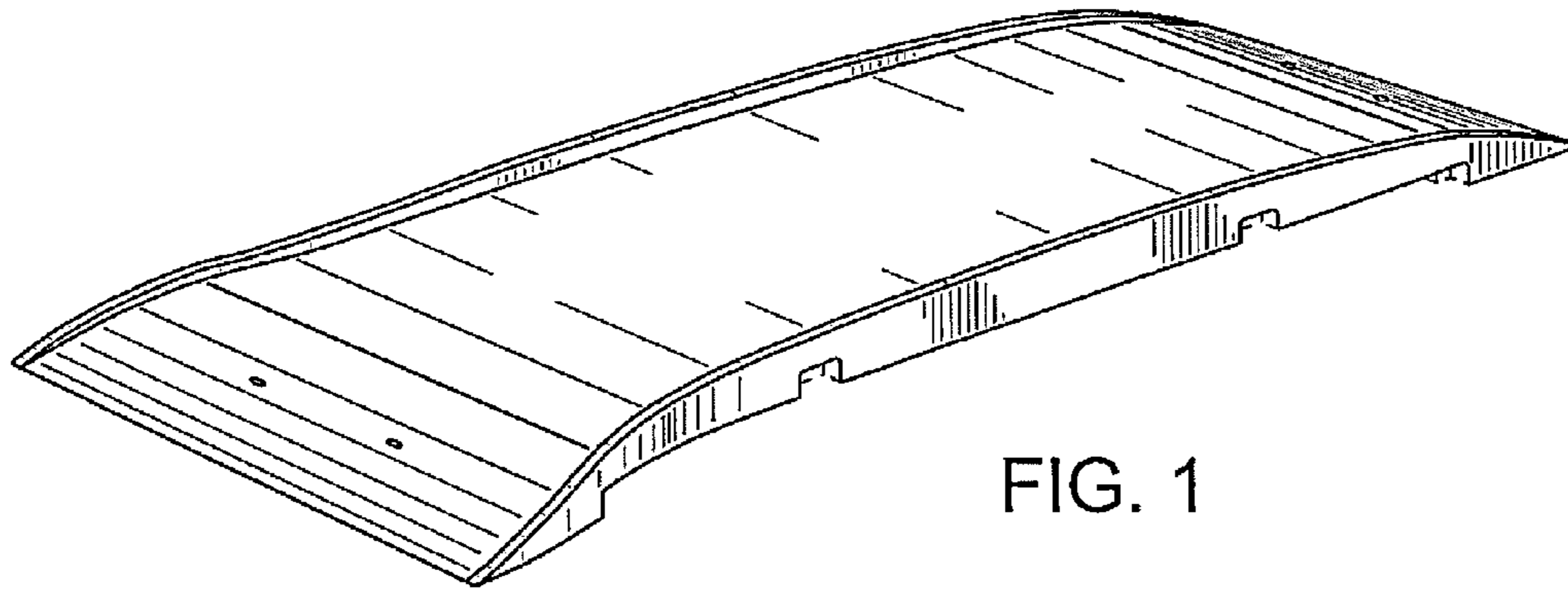


FIG. 1

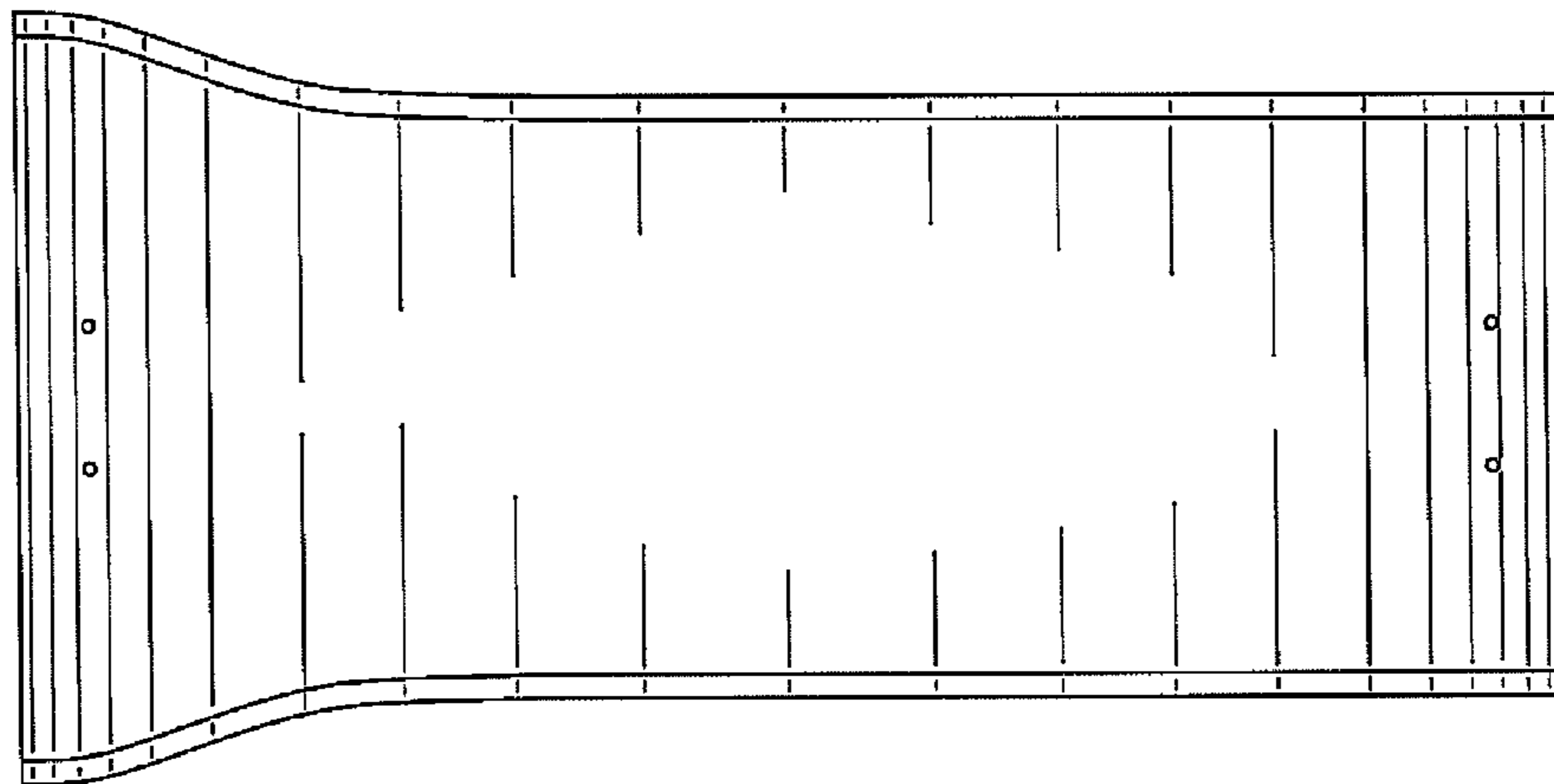


FIG. 2

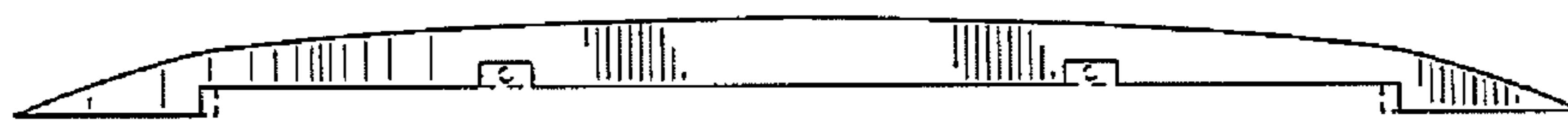


FIG. 3

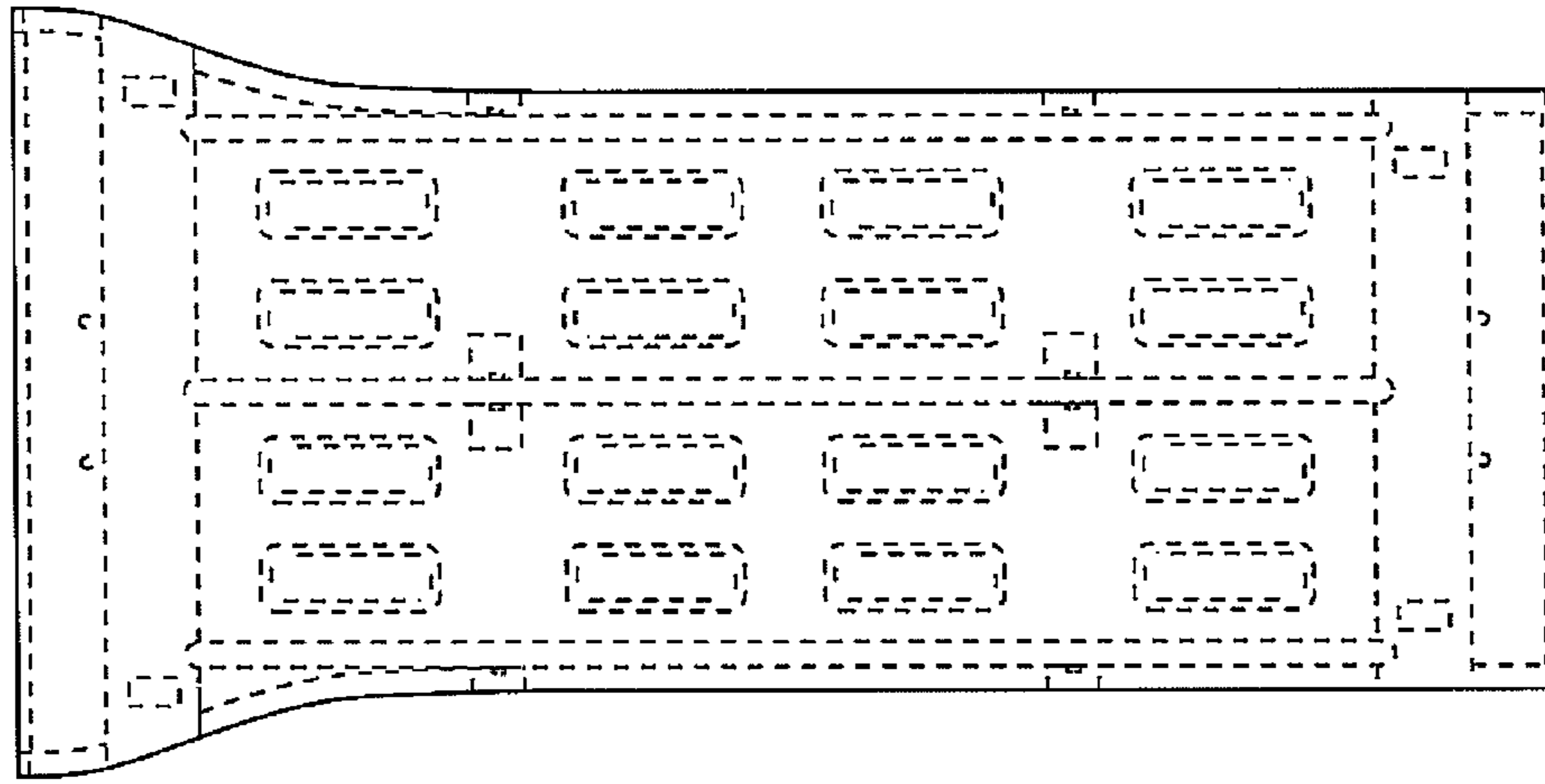


FIG. 4

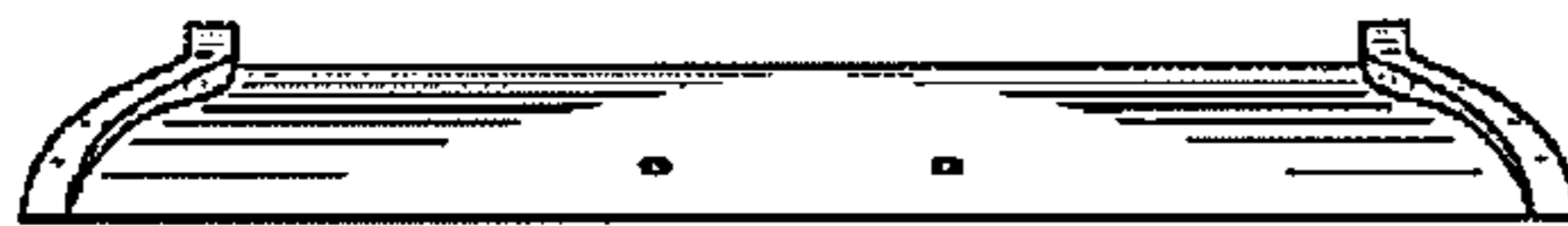


FIG. 5

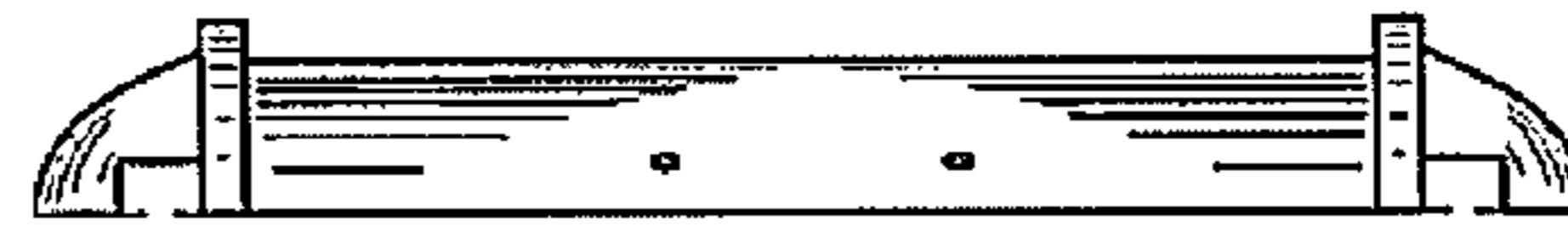


FIG. 6