



US00D735434S

(12) **United States Design Patent**
Petrovic

(10) **Patent No.:** **US D735,434 S**

(45) **Date of Patent:** **** Jul. 28, 2015**

- (54) **PLATE WITH INNER CLEAT**
- (71) Applicant: **Mayfran International, Inc.**, Cleveland, OH (US)
- (72) Inventor: **Nebojsa Petrovic**, Seven Hills, OH (US)
- (73) Assignee: **Mayfran International, Inc.**, Cleveland, OH (US)
- (**) Term: **14 Years**
- (21) Appl. No.: **29/447,172**
- (22) Filed: **Mar. 1, 2013**
- (51) **LOC (10) Cl.** **12-05**
- (52) **U.S. Cl.**
USPC **D34/29**
- (58) **Field of Classification Search**
USPC D34/29, 35; D8/499; 198/851
CPC B01D 21/04; B01D 33/04; B01D 39/10;
B65G 15/32; B65G 15/30; B65G 15/48
See application file for complete search history.

D291,777	S	*	9/1987	Lapeyre et al.	D34/29
D299,424	S	*	1/1989	Schroeder et al.	D8/499
D385,078	S	*	10/1997	Thom, Jr.	D34/29
D427,898	S	*	7/2000	Loh	D8/499
D479,637	S	*	9/2003	Flippo	D34/29
D493,933	S	*	8/2004	Schwagermann	D34/29
7,757,838	B2	*	7/2010	Fandella	198/779
2014/0021022	A1	*	1/2014	Miyashita	198/851

* cited by examiner

Primary Examiner — Cynthia Ramirez

(74) *Attorney, Agent, or Firm* — Calfee Halter & Griswold, LLP

(57) **CLAIM**

I claim the ornamental design for a plate with inner cleat, as shown and described.

DESCRIPTION

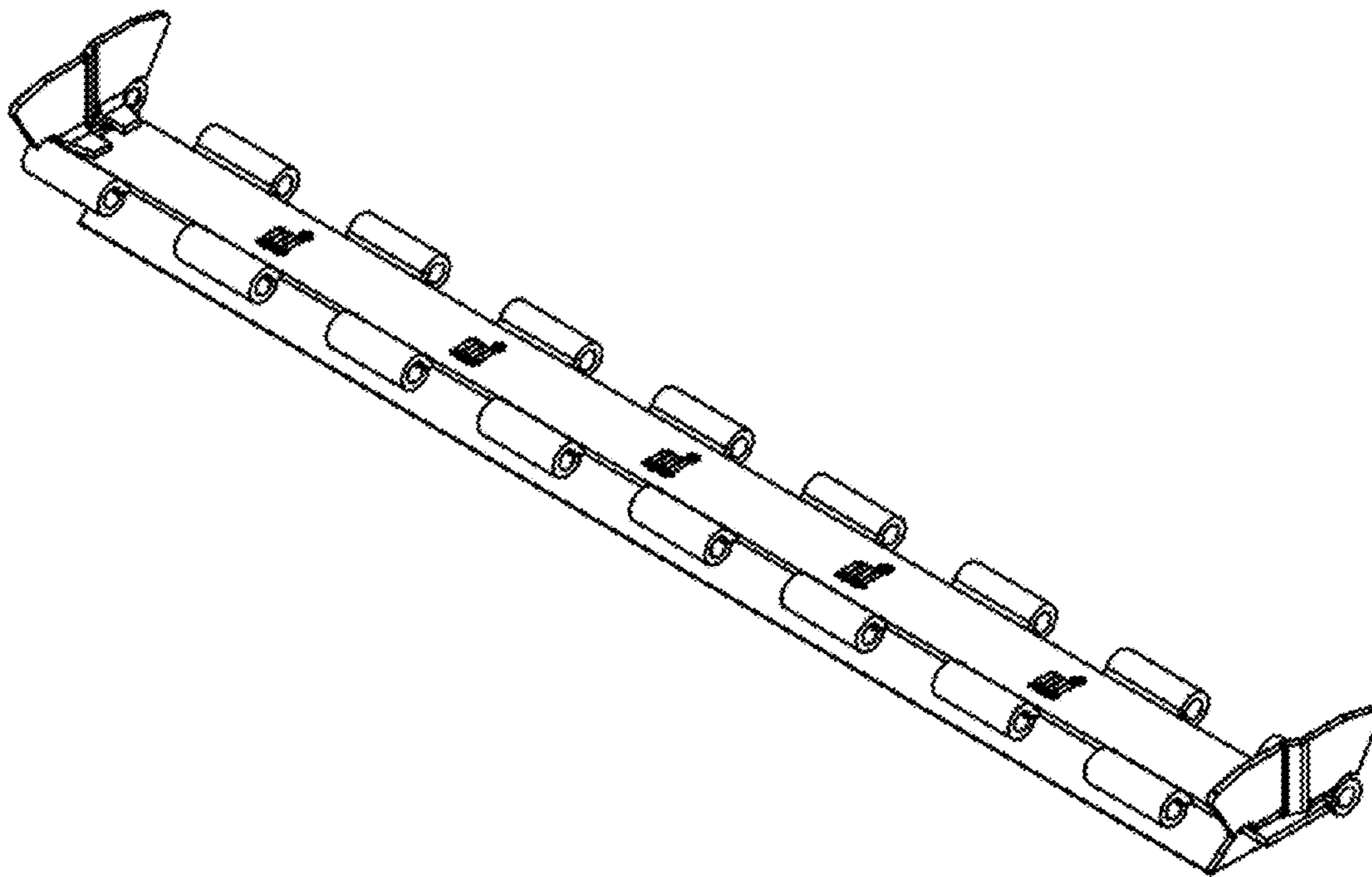
FIG. 1 is a rear, left, top perspective view of a plate with inner cleat showing my new design;
 FIG. 2 is a front, left, top perspective view thereof;
 FIG. 3 is a rear, left, bottom perspective view thereof;
 FIG. 4 is a front, left, bottom perspective view thereof;
 FIG. 5 is a top plan view thereof;
 FIG. 6 is a bottom plane view thereof;
 FIG. 7 is a rear elevational view thereof; and,
 FIG. 8 is a front elevational view thereof.

1 Claim, 3 Drawing Sheets

(56) **References Cited**

U.S. PATENT DOCUMENTS

- 3,915,275 A * 10/1975 Specht 193/35 R
- 4,418,817 A * 12/1983 Martin et al. 198/845



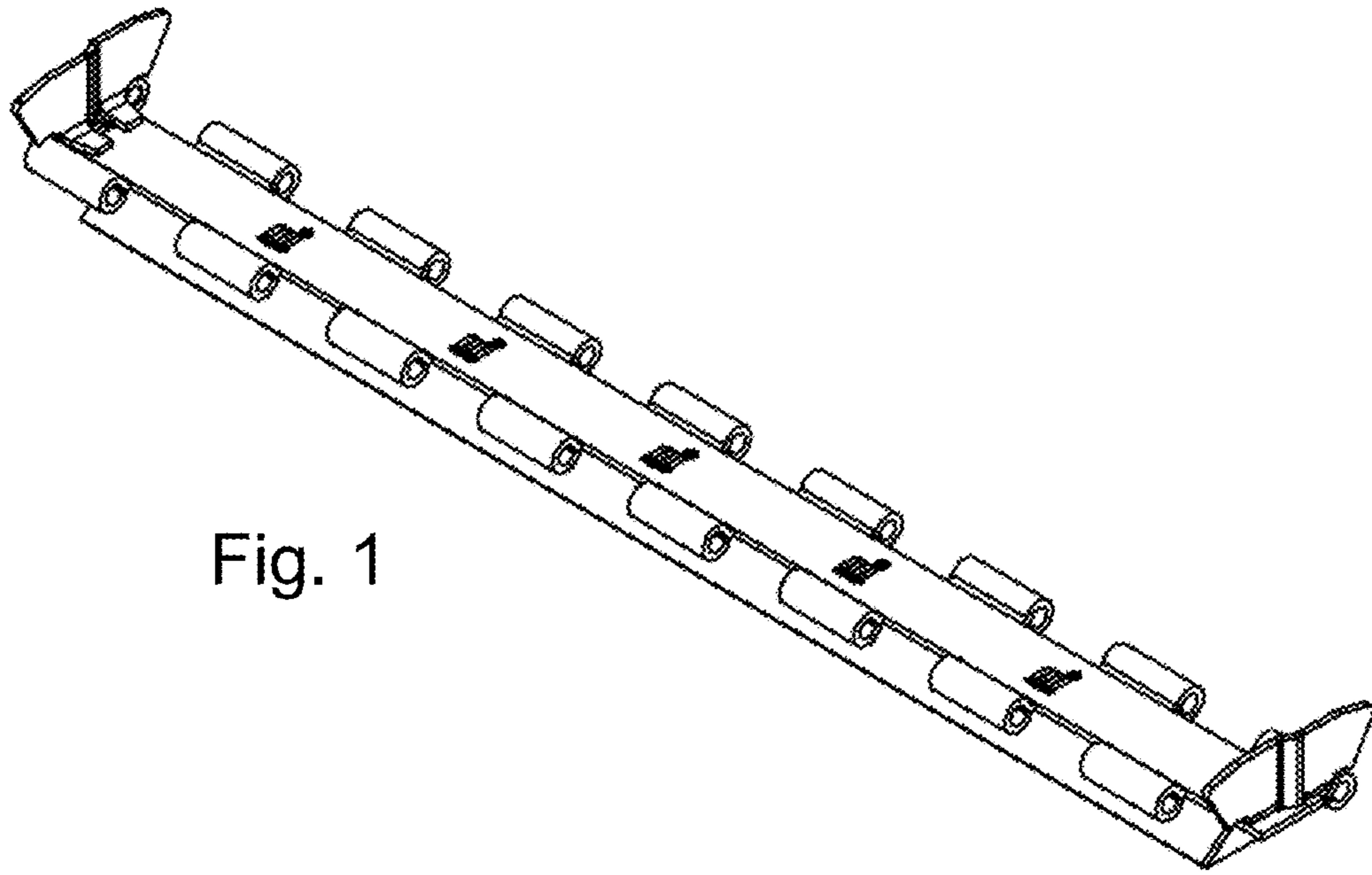


Fig. 1

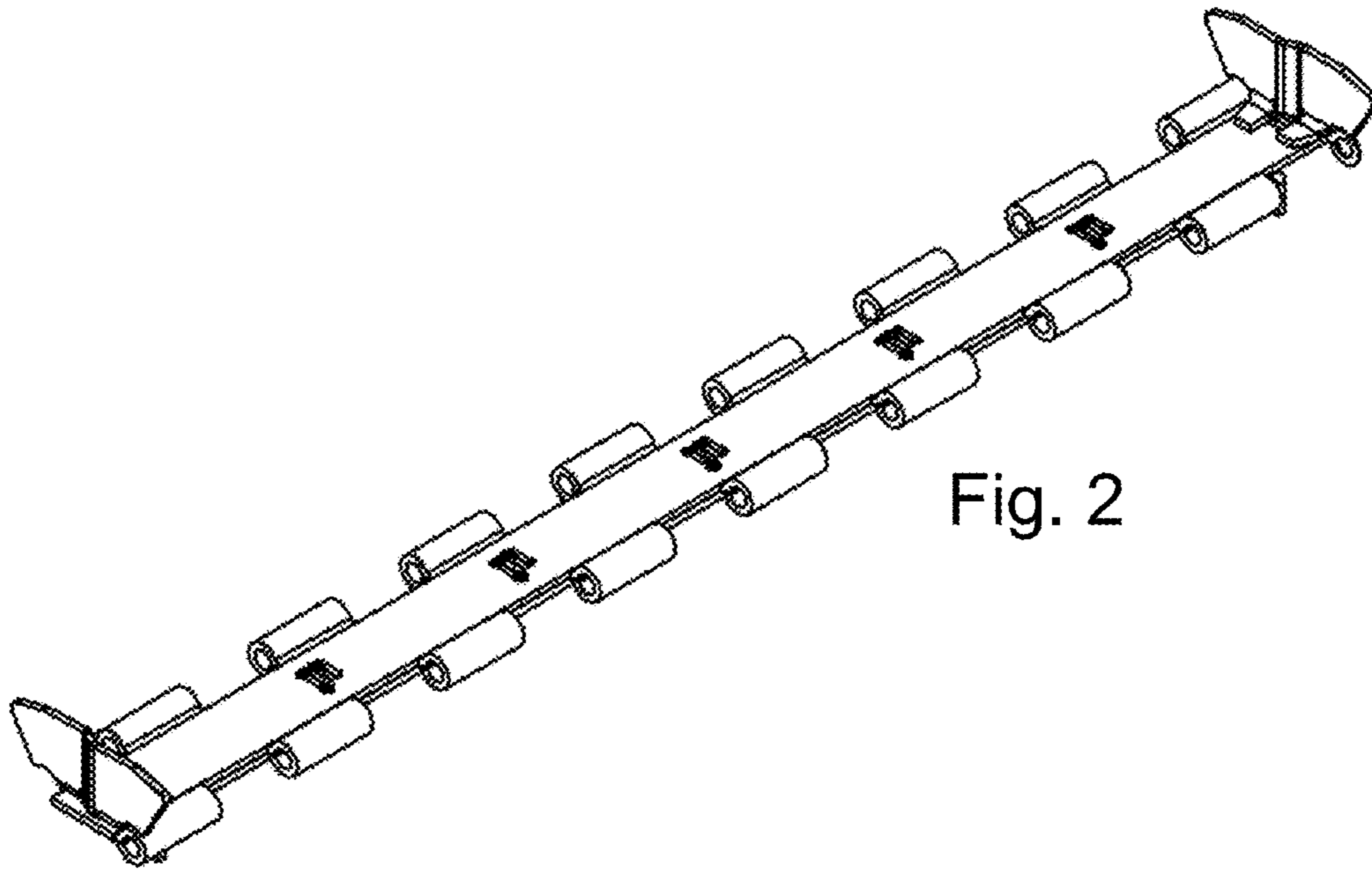


Fig. 2

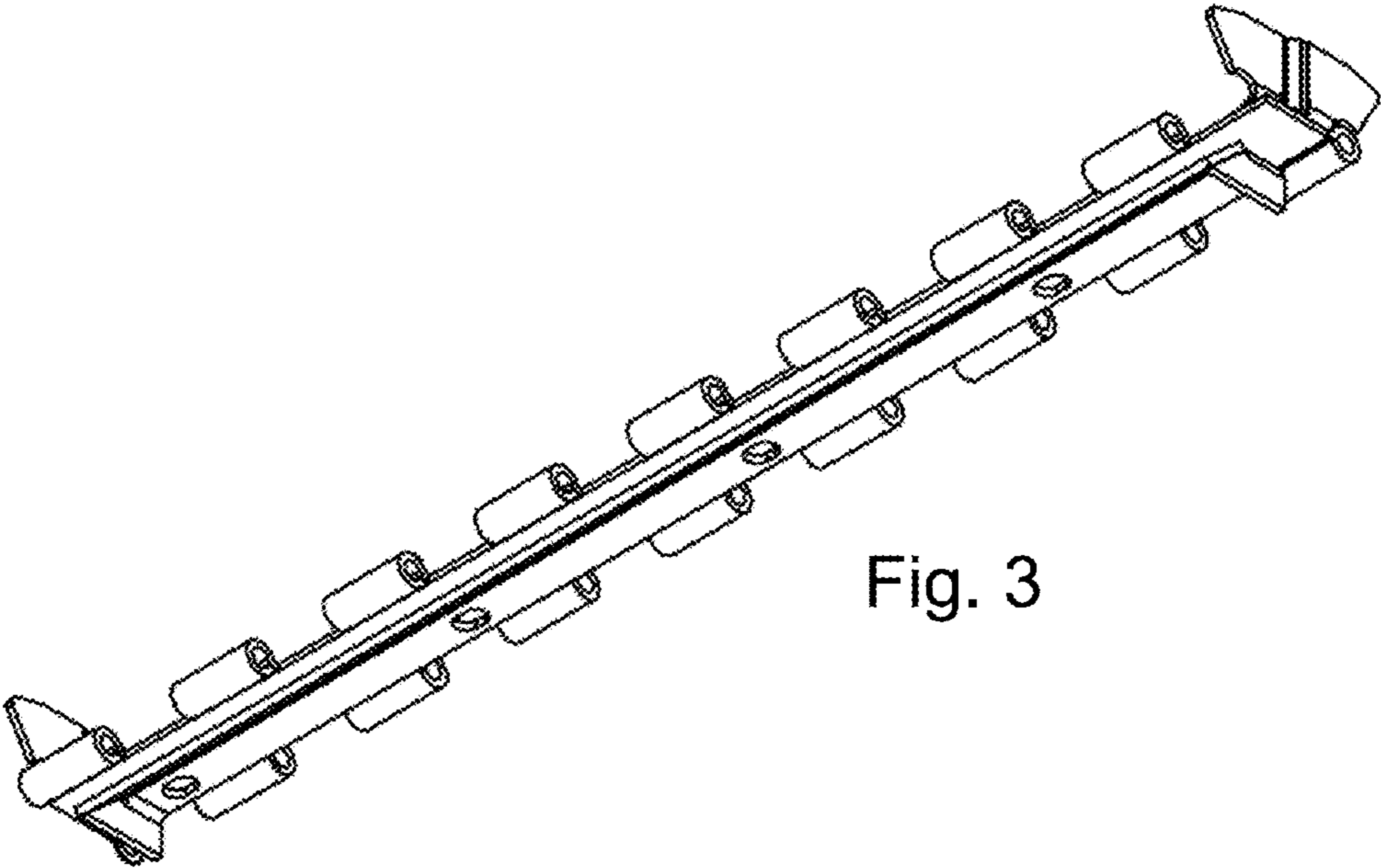


Fig. 3

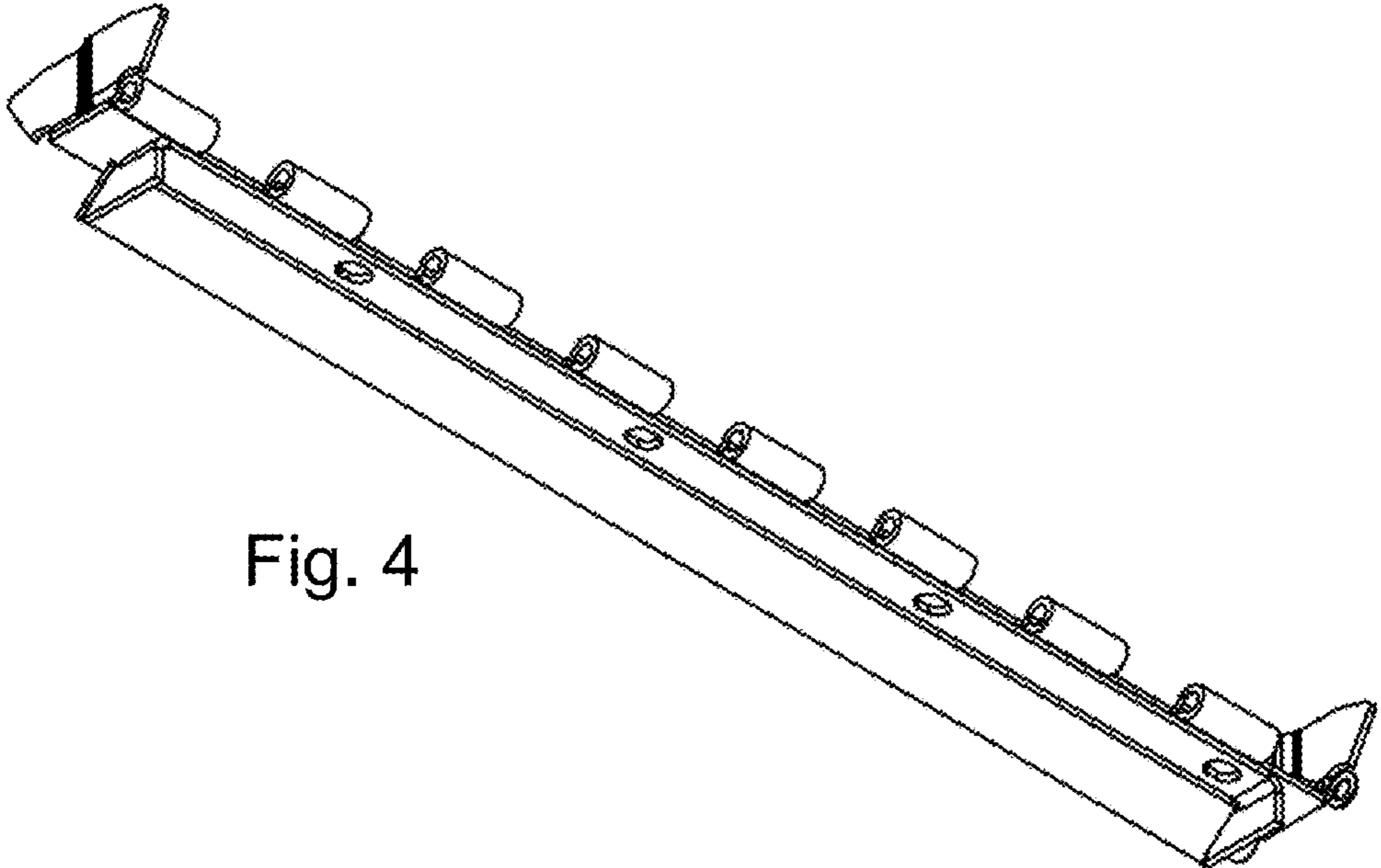


Fig. 4

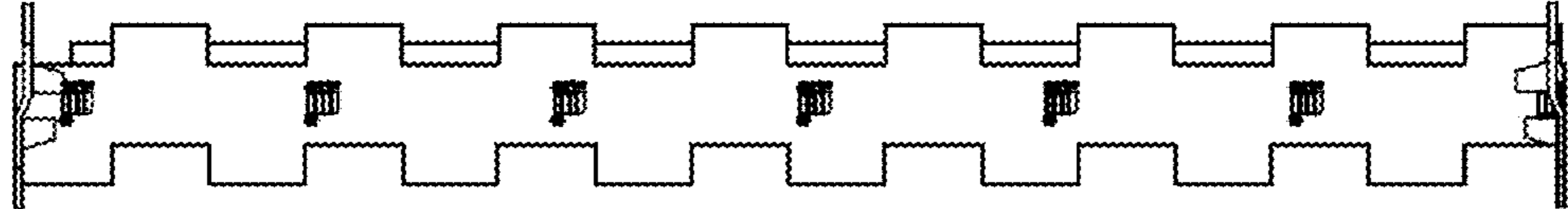


Fig. 5

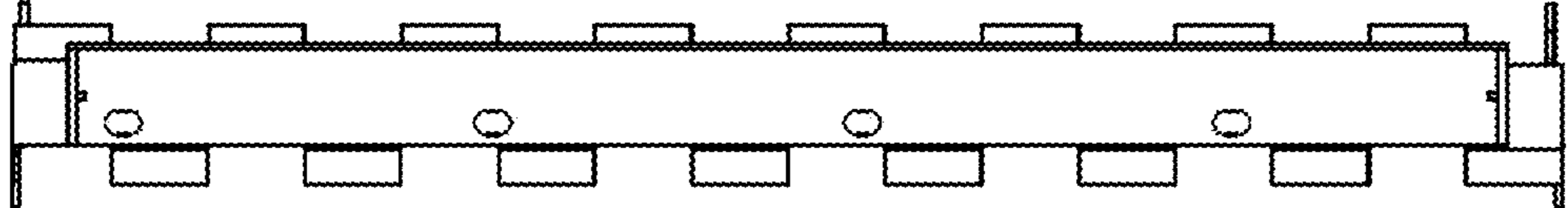


Fig. 6

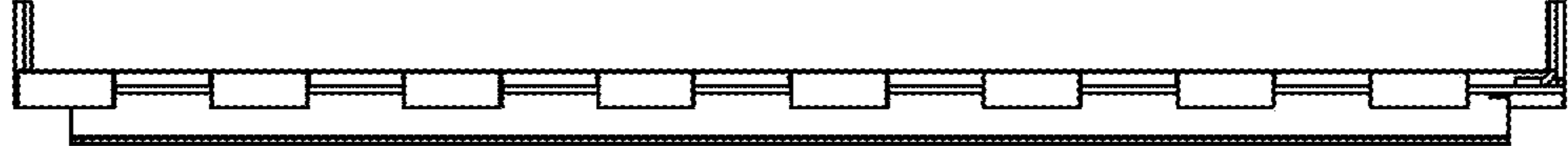


Fig. 7

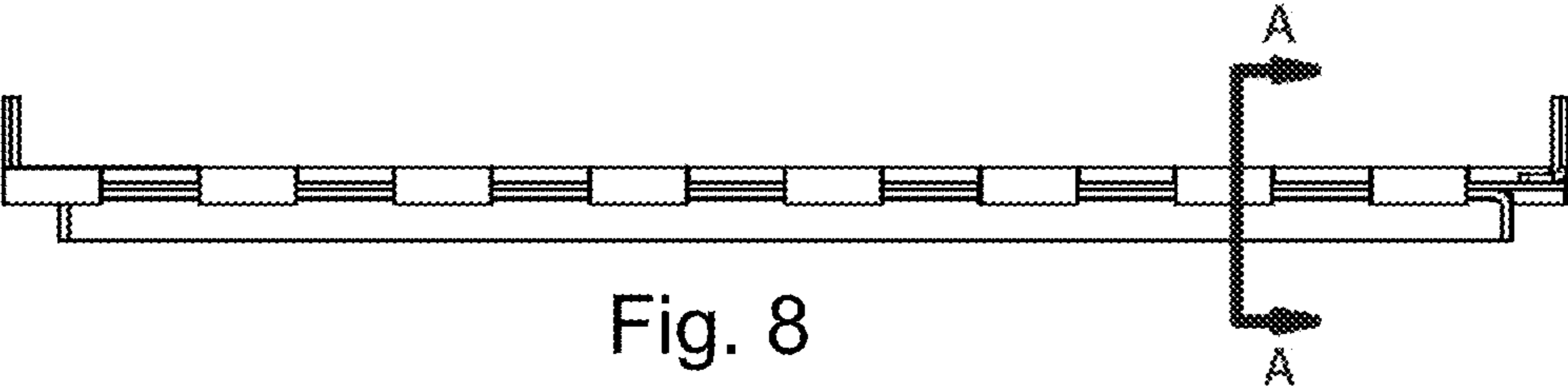


Fig. 8