



US00D735433S

(12) **United States Design Patent**
Stewart

(10) **Patent No.:** **US D735,433 S**
(45) **Date of Patent:** **** Jul. 28, 2015**

- (54) **TOOL FOR SCRATCH TICKETS**
- (71) Applicant: **Elaine Stewart**, New York, NY (US)
- (72) Inventor: **Elaine Stewart**, New York, NY (US)
- (**) Term: **14 Years**
- (21) Appl. No.: **29/468,971**
- (22) Filed: **Oct. 4, 2013**

Related U.S. Application Data

- (63) Continuation of application No. 13/135,773, filed on Jul. 14, 2011, now Pat. No. 8,621,702.
 - (51) **LOC (10) Cl.** **08-05**
 - (52) **U.S. Cl.**
USPC **D32/46**
 - (58) **Field of Classification Search**
USPC D8/45, 63, 93, 99, 106; D7/696, 395;
D32/40-42, 46, 48, 49; D3/210;
30/169, 170, 137, 164.8, 147-148,
30/171; 15/229.1, 236.1, 105;
D24/146-147; D4/129, 138
- See application file for complete search history.

(56) **References Cited**

U.S. PATENT DOCUMENTS

126,945	A *	5/1872	Finn	15/118
556,681	A *	3/1896	Landers	15/425
823,918	A *	6/1906	Burrows	15/425
829,327	A *	8/1906	Crisp	15/425
1,359,104	A *	11/1920	Rheinberger	15/104.001
1,822,725	A *	9/1931	Cooper et al.	15/105
2,178,080	A *	10/1939	Morcom	15/105.53
2,386,948	A *	10/1945	Hanle	15/425
3,275,187	A *	9/1966	Lamoureaux	220/700

D290,056	S *	5/1987	Hatfield	D32/46
4,908,899	A *	3/1990	Killen	15/105
D311,980	S *	11/1990	Baker	D32/46
D312,155	S *	11/1990	Saunders	D32/46
5,653,818	A *	8/1997	Genardi	134/6

(Continued)

OTHER PUBLICATIONS

National Gallery of Art Sculpture Garden, Typewriter Eraser circa 1999, [online], [site visited Dec. 23, 2014 1:10:06 PM] <<http://www.nga.gov/feature/sculpturegarden/sculpture/index.shtm>>.*

(Continued)

Primary Examiner — John Windmuller

Assistant Examiner — John R Yeh

(74) *Attorney, Agent, or Firm* — Foley & Lardner LLP

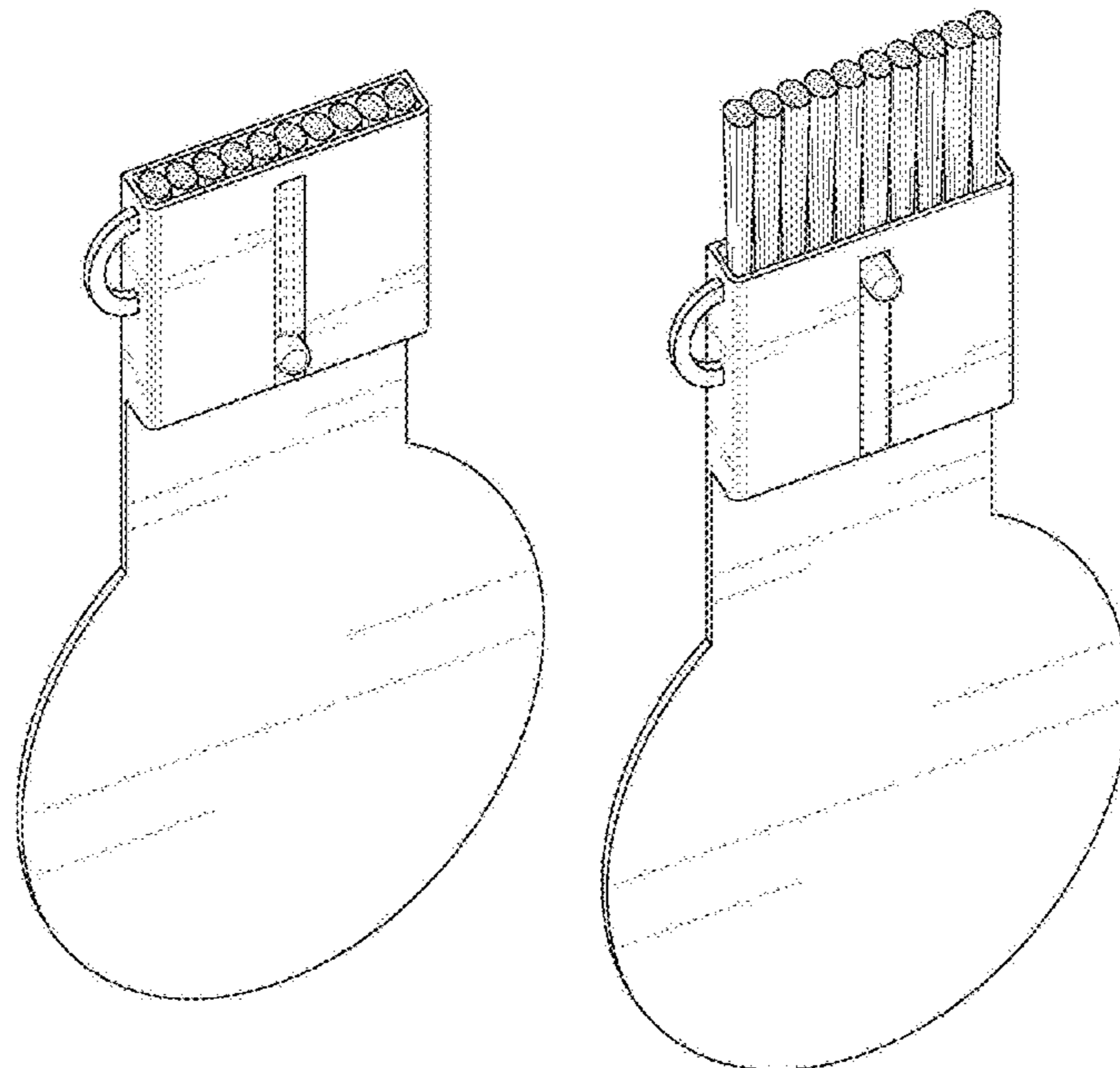
(57) **CLAIM**

The ornamental design for a tool for scratch tickets, as shown and described.

DESCRIPTION

FIG. 1 is an isometric view of a tool for scratch tickets; FIG. 2 is a rear view thereof; FIG. 3 is a front view thereof; FIG. 4 is a left side view thereof; FIG. 5 is a right side view thereof; FIG. 6 is a top view thereof; FIG. 7 is a bottom view thereof; and, FIG. 8 is an isometric view of a tool for scratch tickets with the portion comprising bristles extended. The broken lines illustrate portions of the tool for scratch tickets that form no part of the claimed design.

1 Claim, 6 Drawing Sheets



(56)

References Cited

U.S. PATENT DOCUMENTS

5,713,232	A *	2/1998	Hodge	70/456 R
D403,814	S *	1/1999	Stanford	D32/42
D441,536	S *	5/2001	Jackson-MacDonald	D4/118
D458,428	S *	6/2002	Wenner	D32/46
D459,846	S *	7/2002	Mottern et al.	D32/43
D552,316	S *	10/2007	Bloch et al.	D32/46
7,712,179	B2 *	5/2010	Lemke	15/236.01
8,191,773	B1 *	6/2012	Messinger et al.	235/380
8,621,702	B1 *	1/2014	Stewart	15/111
2004/0221408	A1 *	11/2004	Nagorski	15/105
2005/0081318	A1 *	4/2005	Boutilier	15/236.01
2008/0163441	A1 *	7/2008	Lemke	15/105

OTHER PUBLICATIONS

NPL vintage eraser from the 50's revise date Feb. 21, 2012, [online], [site visited Dec. 23, 2014], <http://www.artfire.com/ext/shop/gallery_item/ghostdove/109761>.*

Lucky Scratch Off Scrapers.com google publish date Jan. 31, 2012, [online], [site visited Dec. 23, 2014 1:29:50 PM], <<http://www.luckyscratchoffscrapers.com/>>.*

Well-Wholesale—China Lottery Scrapers, google publish date Jul. 4, 2012, [online], [site visited Dec. 23, 2014 1:24:31 PM], <<http://www.well-wholesale.com/wholesale-Lottery+Scrapers/>>.*

* cited by examiner

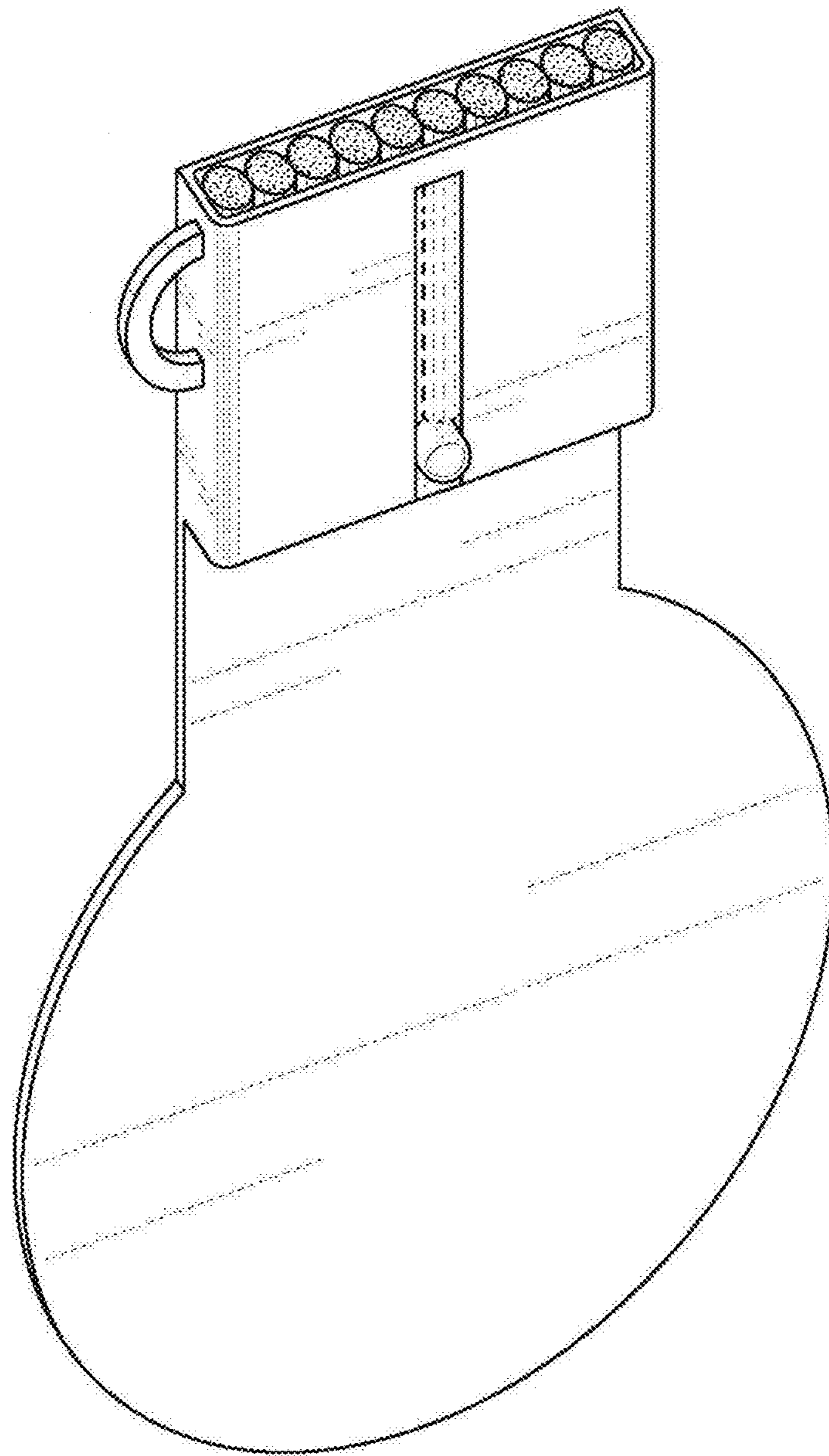


FIG. 1

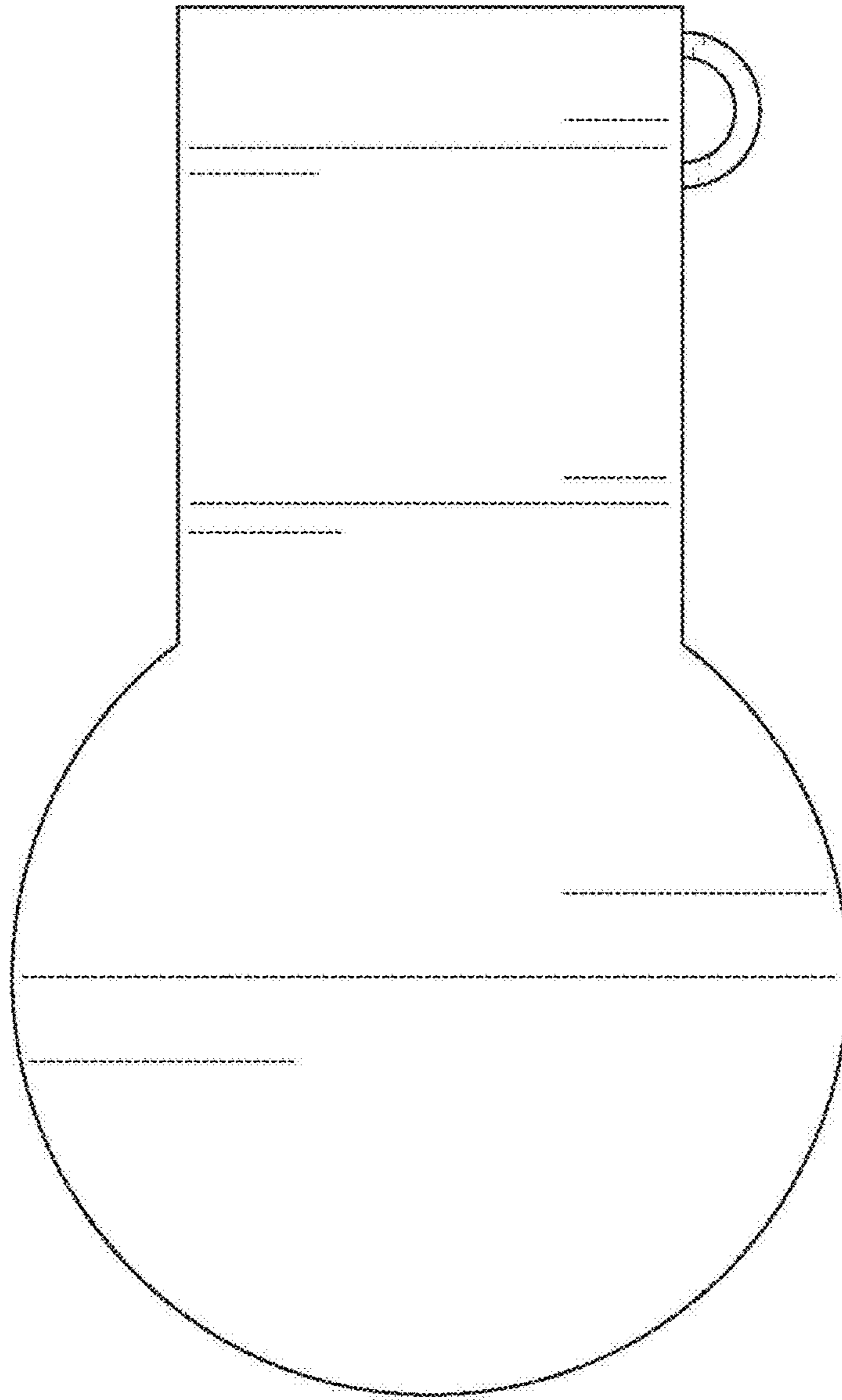


FIG. 2

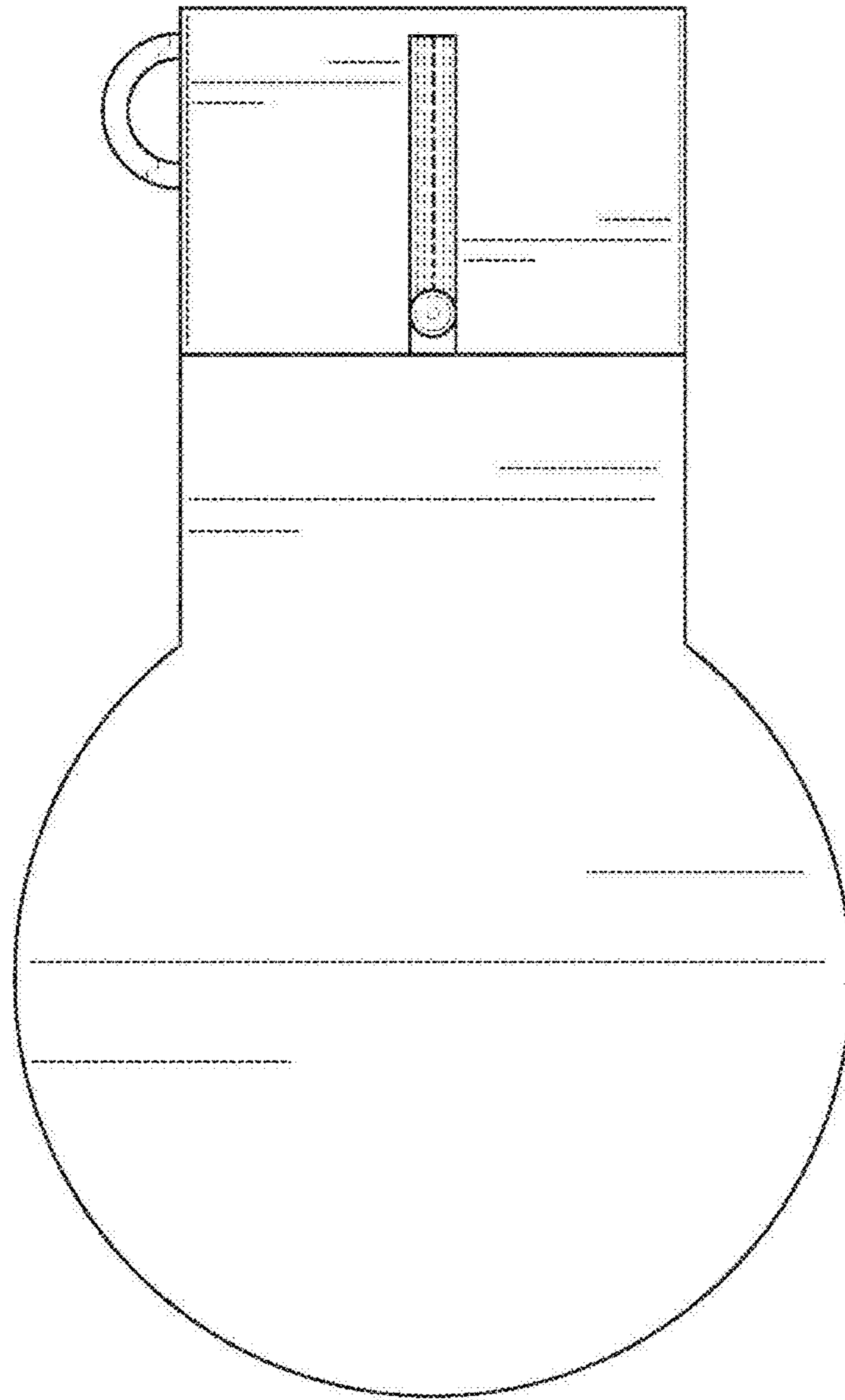


FIG. 3

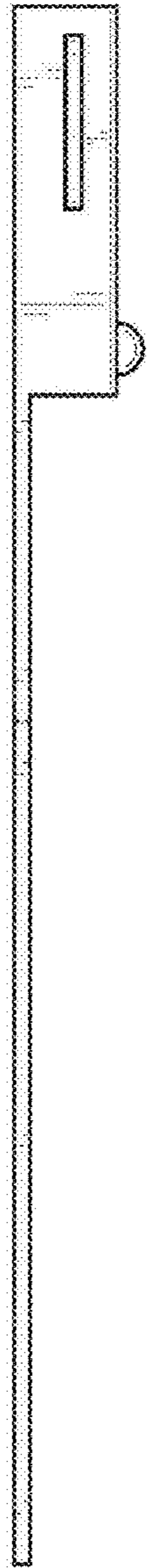


FIG. 4



FIG. 5

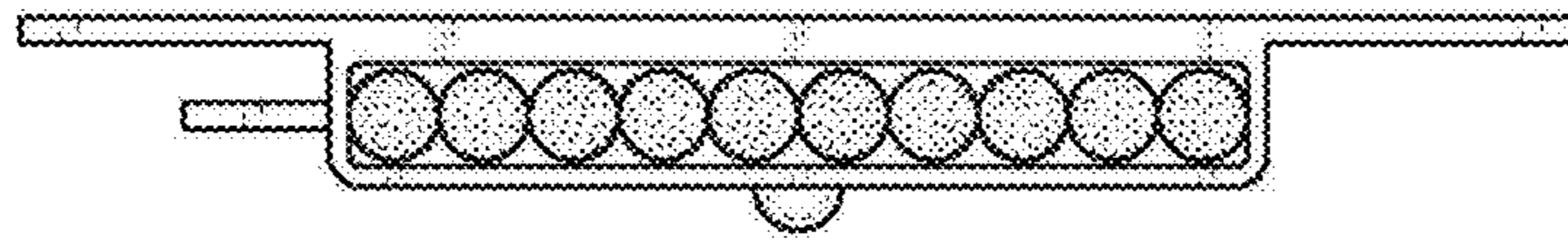


FIG. 6

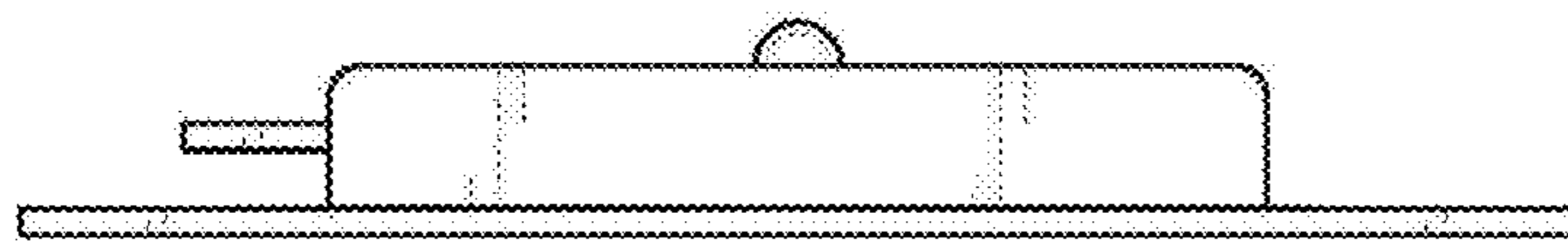


FIG. 7

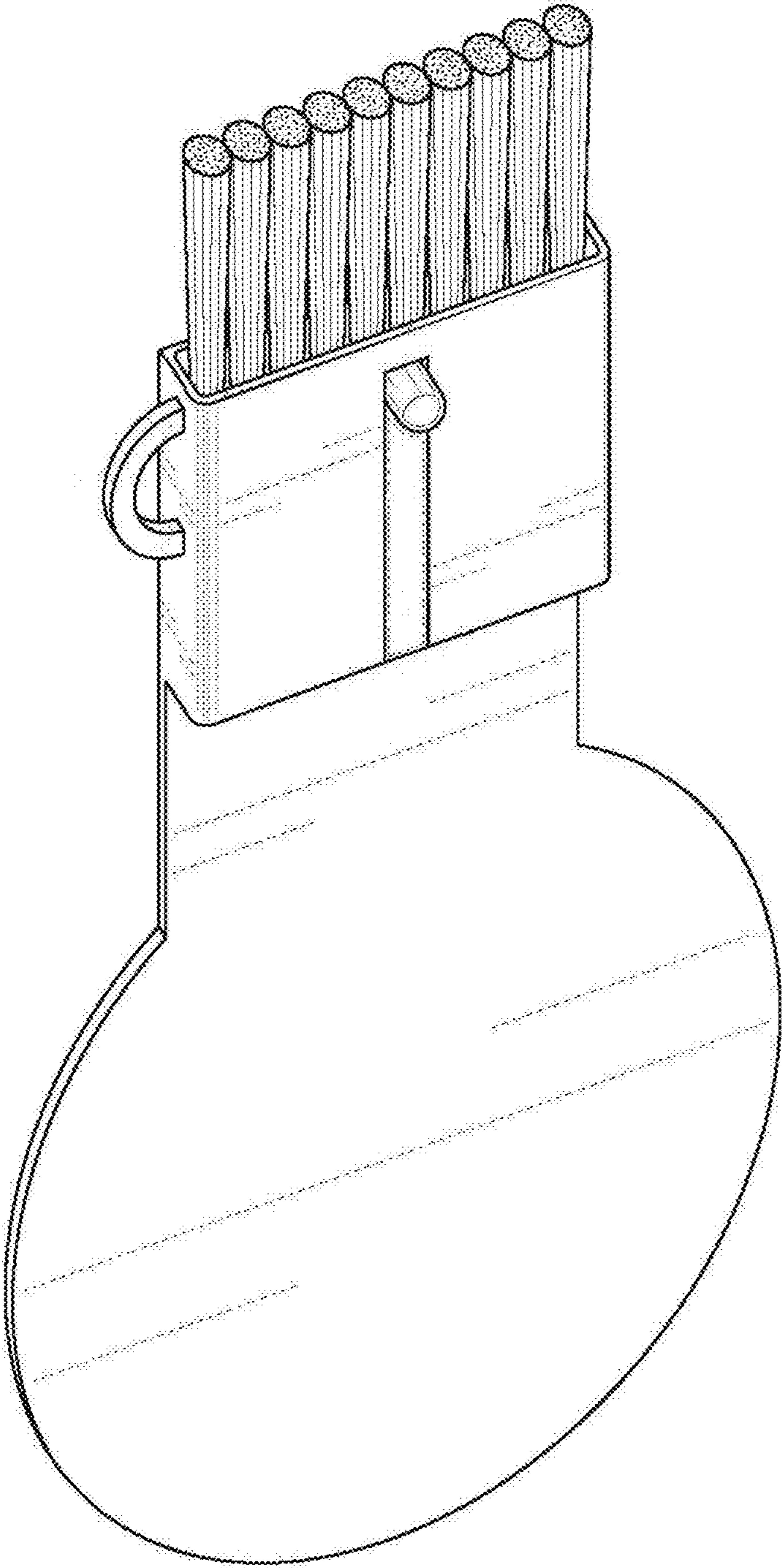


FIG. 8