



US00D735428S

(12) **United States Design Patent**  
**Shaffer et al.**

(10) **Patent No.:** **US D735,428 S**  
(45) **Date of Patent:** **\*\* Jul. 28, 2015**

- (54) **NOZZLE FOR A DEBRIS BLOWER**
- (71) Applicant: **The Toro Company**, Bloomington, MN (US)
- (72) Inventors: **Chadwick A. Shaffer**, Oakdale, MN (US); **Steven J. Svoboda**, Bloomington, MN (US)
- (73) Assignee: **The Toro Company**, Bloomington, MN (US)
- (\*\*) Term: **14 Years**
- (21) Appl. No.: **29/482,259**
- (22) Filed: **Feb. 17, 2014**
- (51) **LOC (10) Cl.** ..... **15-05**
- (52) **U.S. Cl.**  
USPC ..... **D32/25**
- (58) **Field of Classification Search**  
USPC ..... D32/31, 1, 15, 17, 25; 15/328, 338, 15/405, 414, 417, 244, 415.1; D23/213  
See application file for complete search history.

RE33,159 E 2/1990 Bauer  
5,121,463 A 6/1992 Yoshihara  
5,161,317 A 11/1992 McDougall

(Continued)

**OTHER PUBLICATIONS**

“Blower and Blower Vacuums: Instruction Manual” Form No. 90579547 datasheet. Black & Decker (U.S.) Inc., Towson, Maryland, Copyright 2011, Aug. 20 pgs.

(Continued)

*Primary Examiner* — T. Chase Nelson  
*Assistant Examiner* — Michelle E Wilson

(74) *Attorney, Agent, or Firm* — Mueting, Raasch & Gebhardt, P.A.

(57) **CLAIM**

The ornamental design for a nozzle for a debris blower, as shown and described.

**DESCRIPTION**

FIG. 1 is a right front perspective view of a nozzle for a debris blower showing the new design, the nozzle shown attached to a debris (e.g., leaf) blower;  
 FIG. 2 is a right front perspective view of the nozzle for a debris blower removed from the debris blower;  
 FIG. 3 is a right front perspective view of the nozzle for a debris blower with unclaimed subject matter removed;  
 FIG. 4 is a right rear perspective view thereof;  
 FIG. 5 is a left rear perspective view thereof;  
 FIG. 6 is a right side elevational view thereof;  
 FIG. 7 is a left side elevational view thereof;  
 FIG. 8 is a top plan view thereof;  
 FIG. 9 is a bottom plan view thereof;  
 FIG. 10 is a front elevational view thereof; and,  
 FIG. 11 is a rear elevational view thereof.

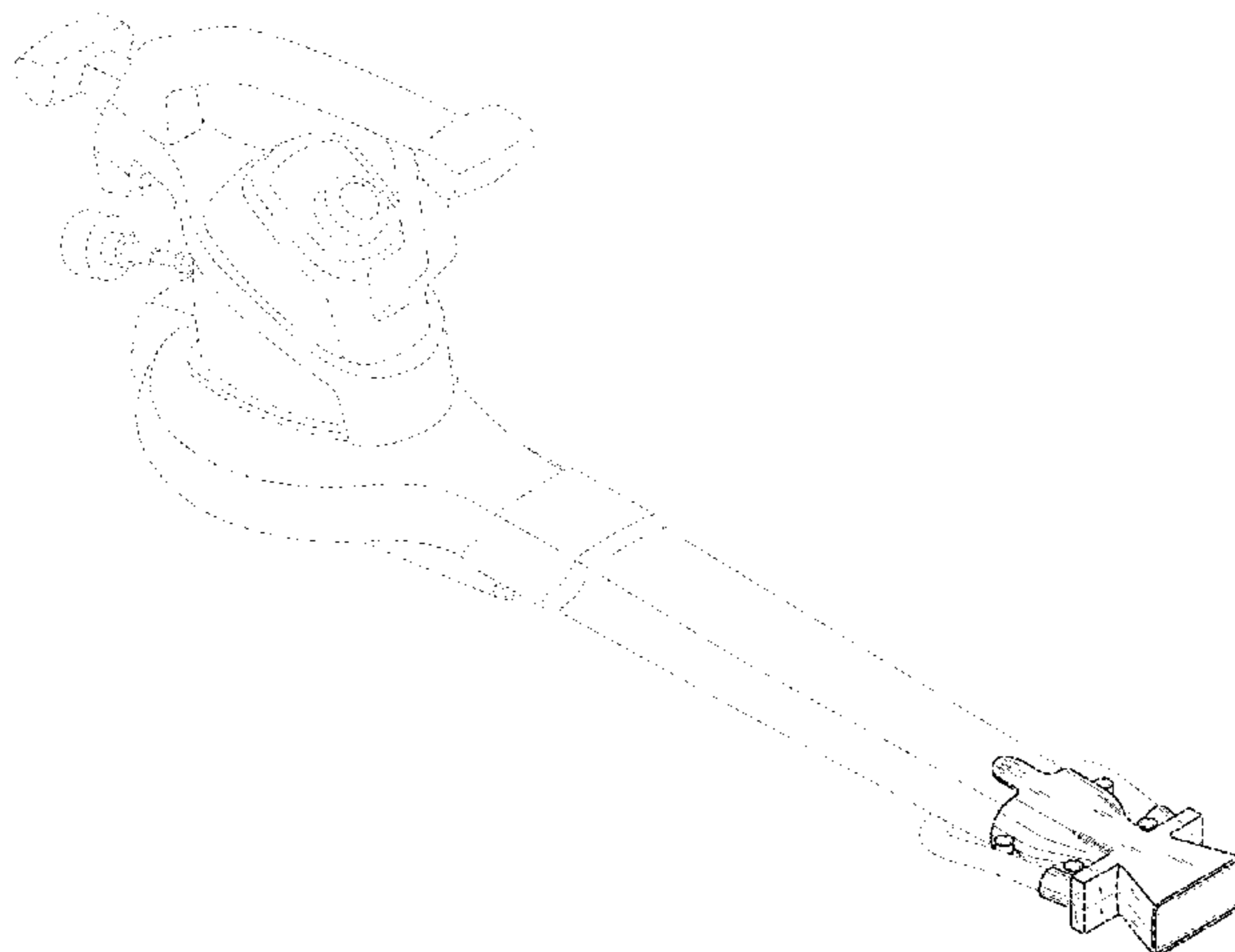
The broken line showing illustrates unclaimed portions of the nozzle for a debris blower, as well as the environment of the claimed design, neither of which forms a part of the claimed design.

(56) **References Cited**

**U.S. PATENT DOCUMENTS**

D91,099	S	*	11/1933	Becker	.....	D32/32
D185,697	S	*	7/1959	Descarries	.....	D32/31
3,016,066	A		1/1962	Warren		
3,247,861	A		4/1966	Bauer		
3,563,462	A		2/1971	Bauer		
4,122,845	A		10/1978	Stouffer et al.		
4,132,360	A		1/1979	Lee, Jr.		
4,231,519	A		11/1980	Bauer		
4,260,106	A		4/1981	Bauer		
4,437,392	A		3/1984	Stouffer		
RE31,683	E		9/1984	Bauer		
4,644,854	A		2/1987	Stouffer et al.		
4,694,992	A		9/1987	Stouffer		
4,774,975	A		10/1988	Ayers et al.		
RE33,158	E		2/1990	Stouffer et al.		

**1 Claim, 8 Drawing Sheets**



(56)

**References Cited**

U.S. PATENT DOCUMENTS

5,181,660 A 1/1993 Stouffer et al.  
 5,213,269 A 5/1993 Srinath et al.  
 5,213,270 A 5/1993 Stouffer et al.  
 5,333,787 A 8/1994 Smith et al.  
 5,341,578 A 8/1994 Anderson  
 D350,722 S \* 9/1994 Figueroa ..... D12/345  
 D357,774 S \* 4/1995 Kishi ..... D32/25  
 5,524,660 A 6/1996 Dugan  
 D377,248 S \* 1/1997 Kishi ..... D32/32  
 D382,683 S \* 8/1997 Henke et al. .... D32/25  
 5,689,896 A 11/1997 Smetana  
 5,876,281 A 3/1999 Hirasawa et al.  
 6,003,199 A 12/1999 Shaffer  
 6,442,790 B1 9/2002 Svoboda et al.  
 6,629,818 B2 10/2003 Svoboda  
 D533,322 S \* 12/2006 Blateri ..... D32/25  
 D581,342 S \* 11/2008 Cazals ..... D12/345  
 7,472,847 B2 1/2009 Mukai et al.  
 D597,715 S 8/2009 Barker

D607,622 S \* 1/2010 Blateri ..... D32/25  
 7,735,188 B2 6/2010 Shaffer  
 2003/0127142 A1 7/2003 Stouffer  
 2012/0055560 A1 3/2012 Gopalan et al.  
 2014/0299672 A1 10/2014 Gopalan et al.

OTHER PUBLICATIONS

U.S. Appl. No. 61/940,549, filed Feb. 17, 2014, Svoboda et al.  
 U.S. Appl. No. 29/490,839, filed May 14, 2014, Martin et al.  
 U.S. Appl. No. 14/619,270, filed Feb. 11, 2015, Svoboda et al.  
 Chhabra, Vaibhav, "Toroidal Vortex Leaf Blower," including one enlarged image at p. 2 [online]. Retrieved from the Internet on Mar. 18, 2015: <<https://vaibhavdesign.wordpress.com/toroidal-vortex-leaf-blower/>> Website believed to be available at least as early as Mar. 18, 2013; 2 pages.  
 "240 MPH Blower Vacuum, Model # BV3800," including two enlarged images at p. 4 [online], Black and Decker Inc. Retrieved from the Internet on Mar. 18, 2015: <<http://www.blackanddecker.com/outdoor/BV3800.aspx>>. BV3800 product believed to be available at least as early as Feb. 28, 2013; 4 pages.

\* cited by examiner

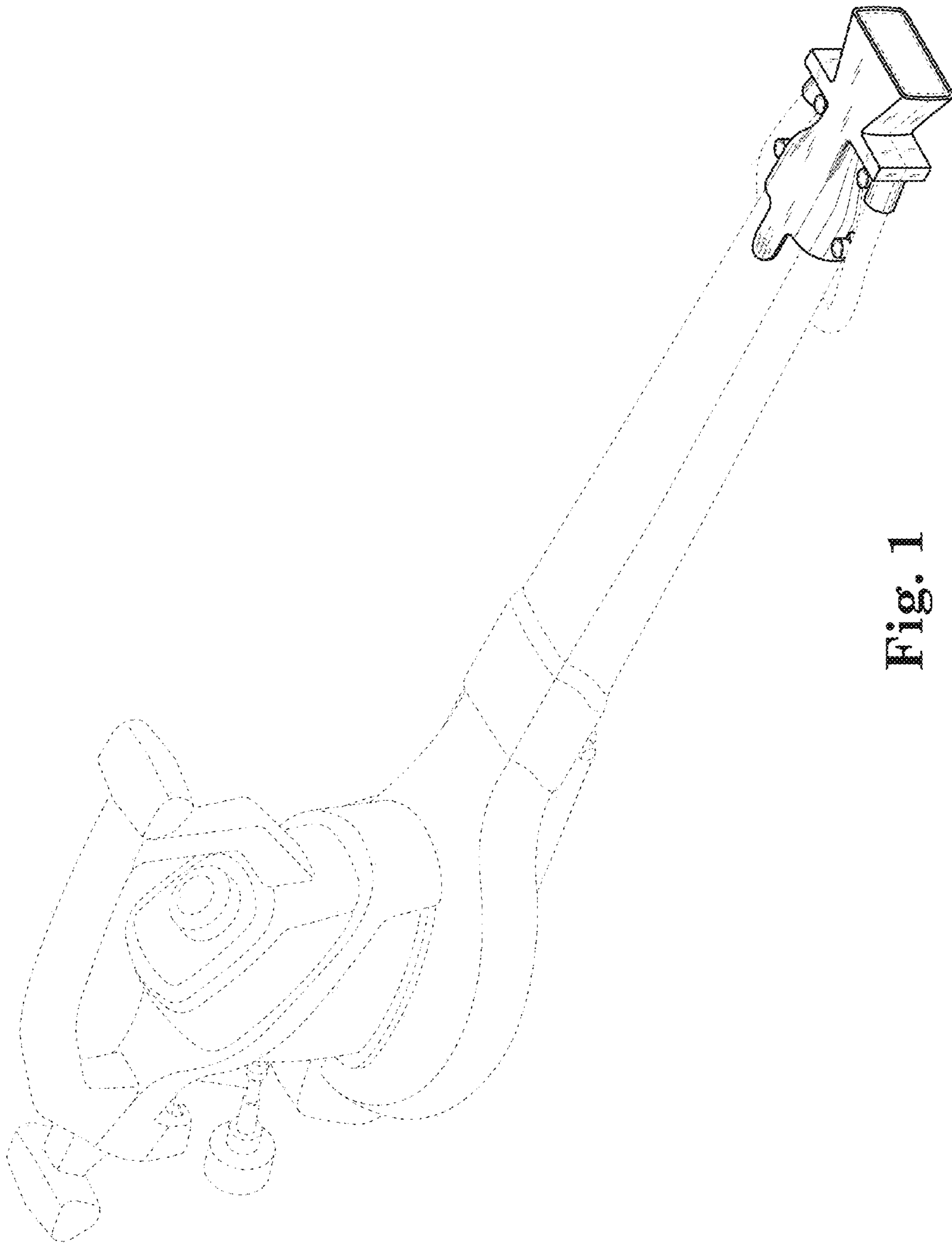


Fig. 1

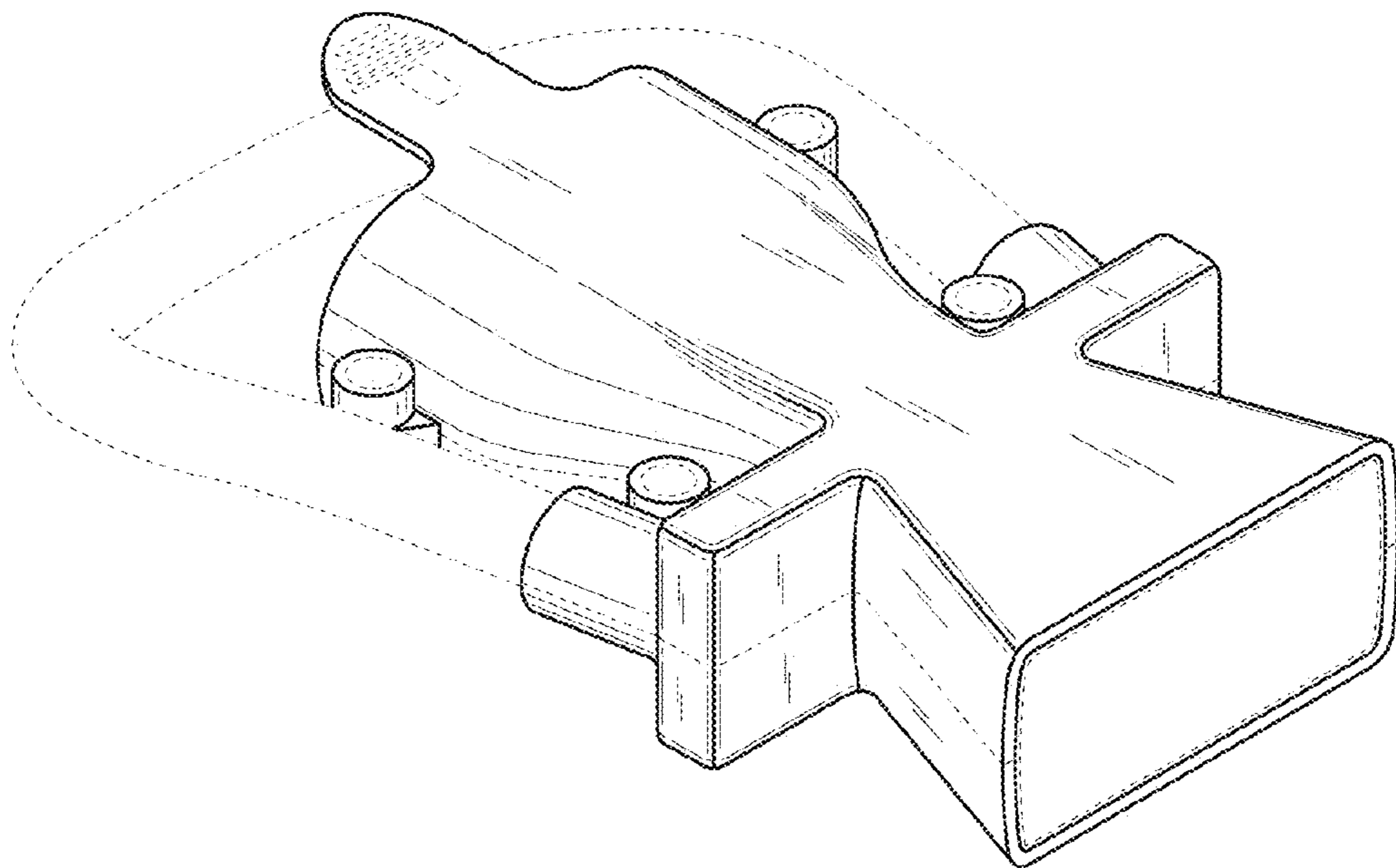
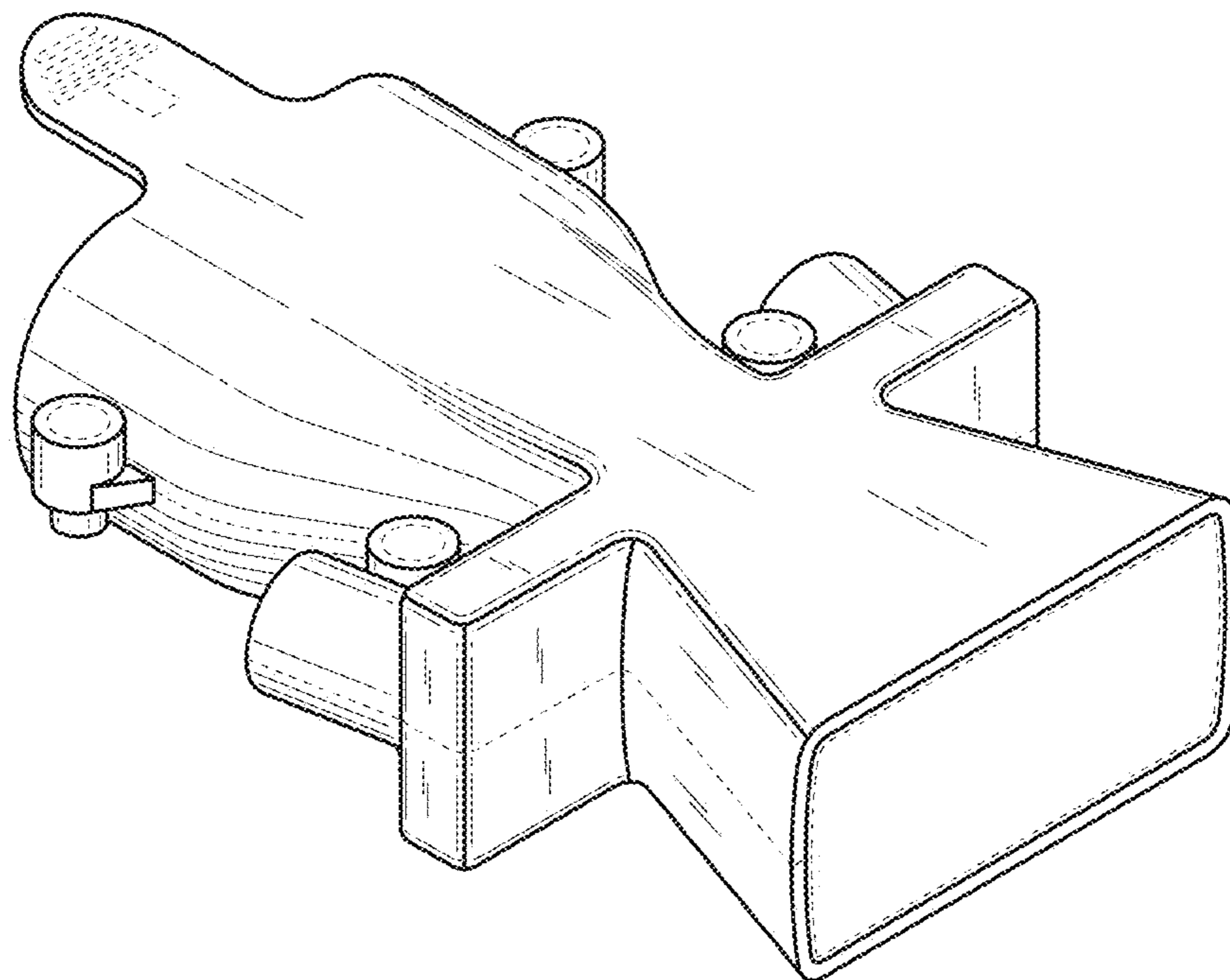
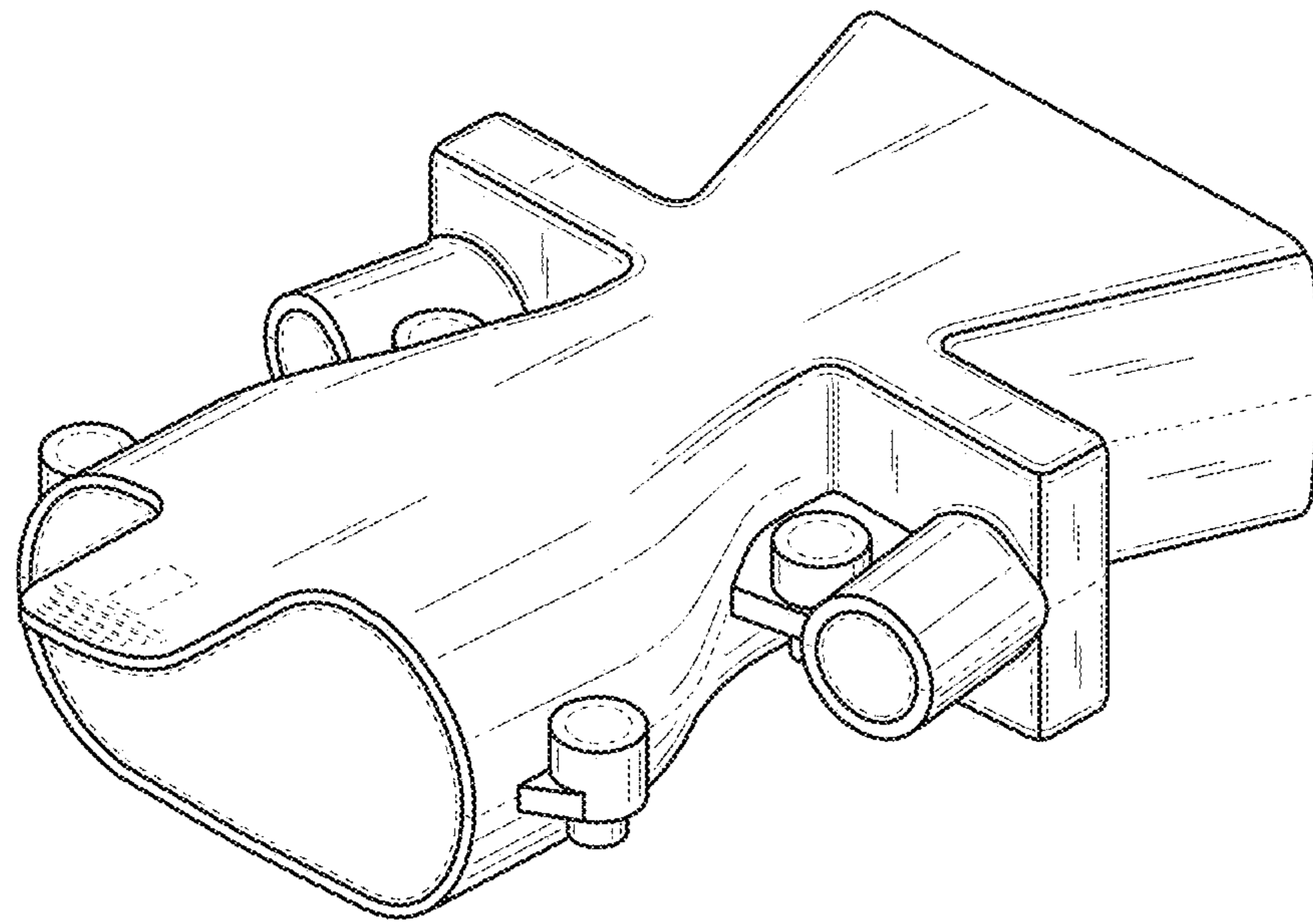


Fig. 2



**Fig. 3**



**Fig. 4**

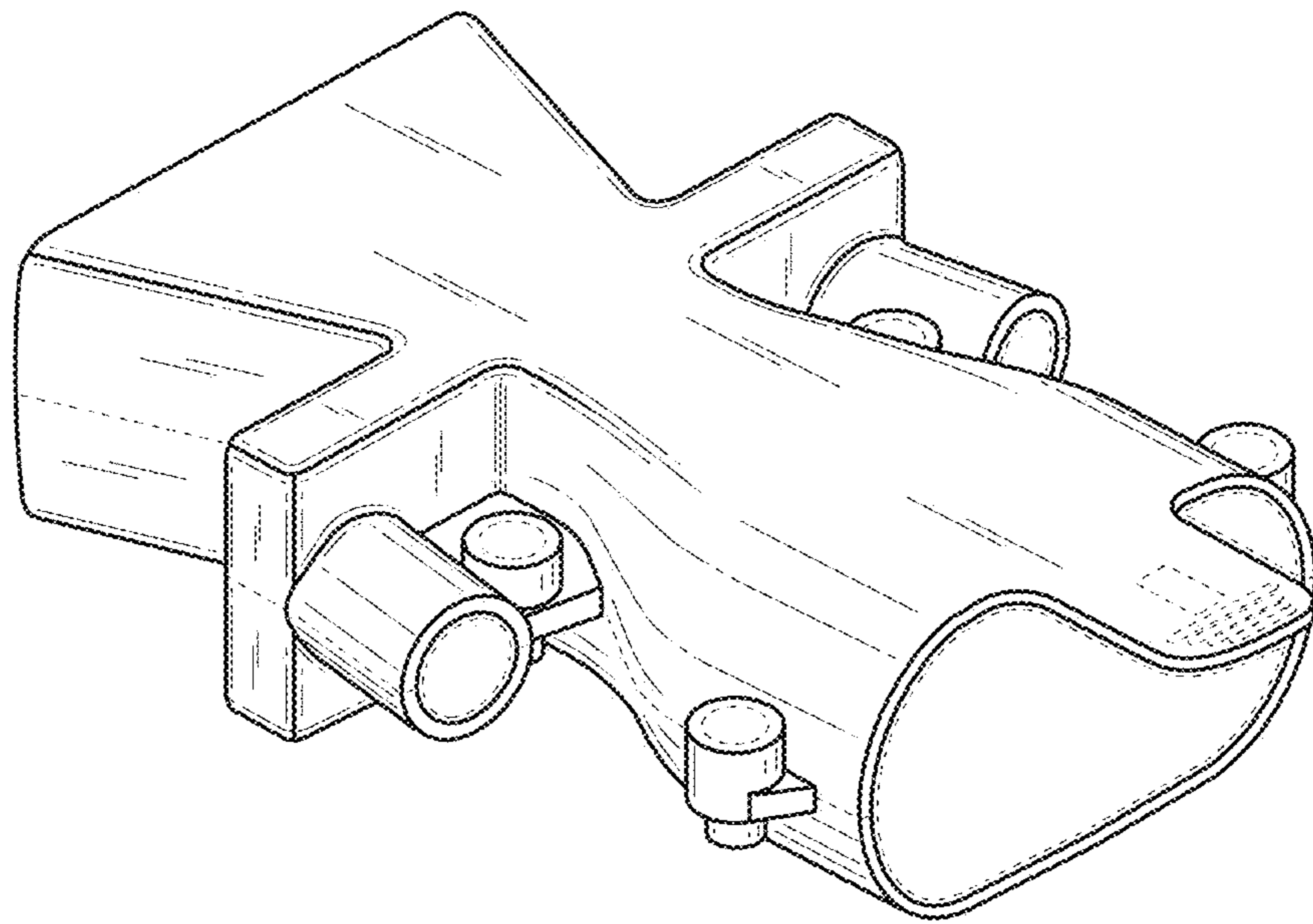


Fig. 5

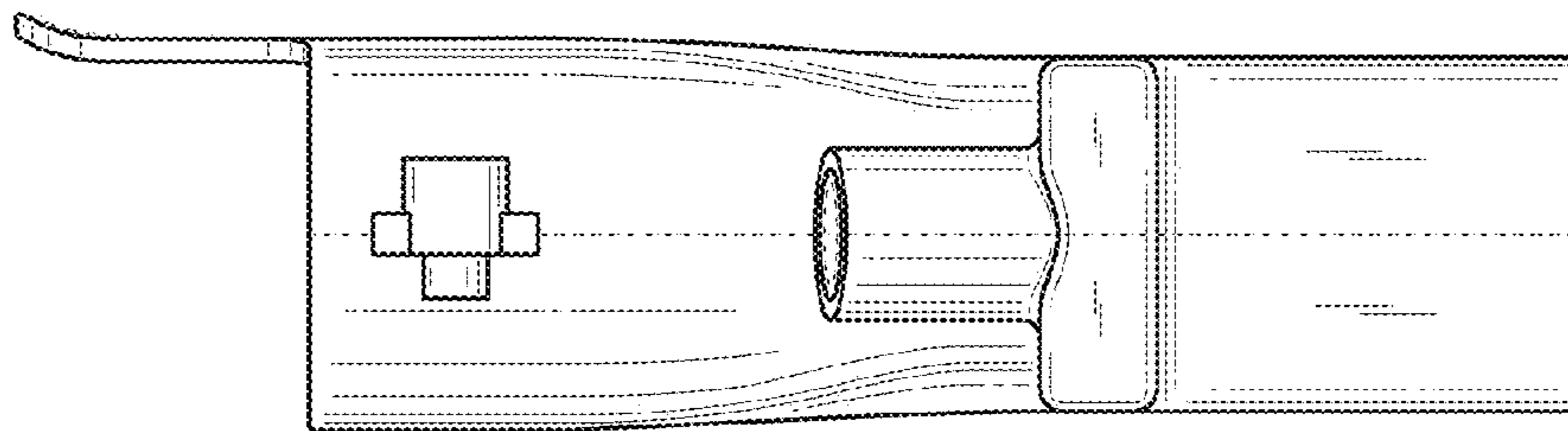


Fig. 6

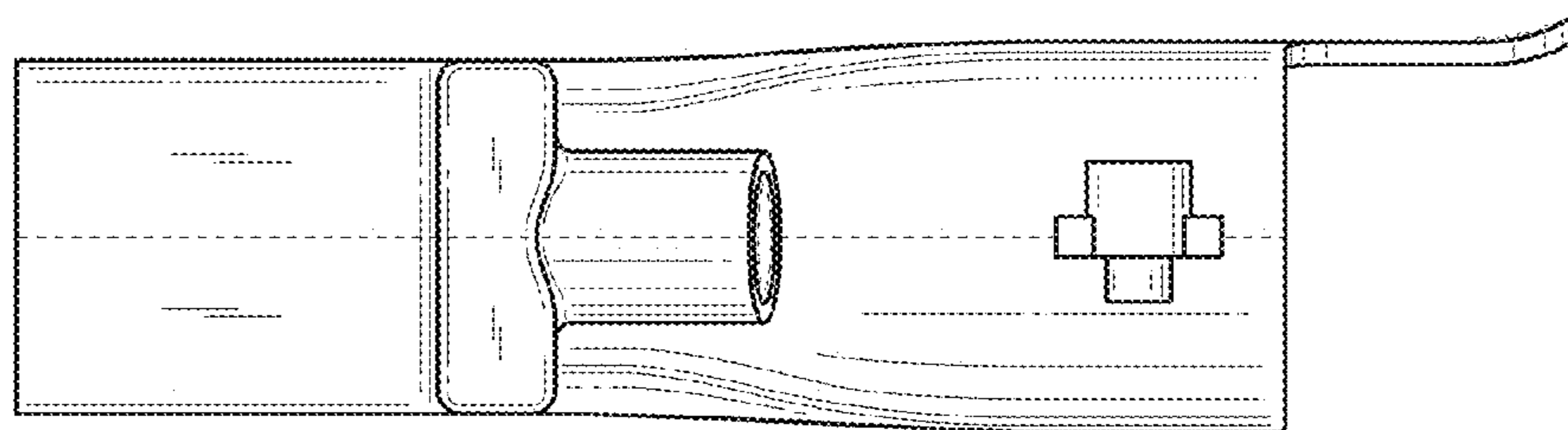


Fig. 7



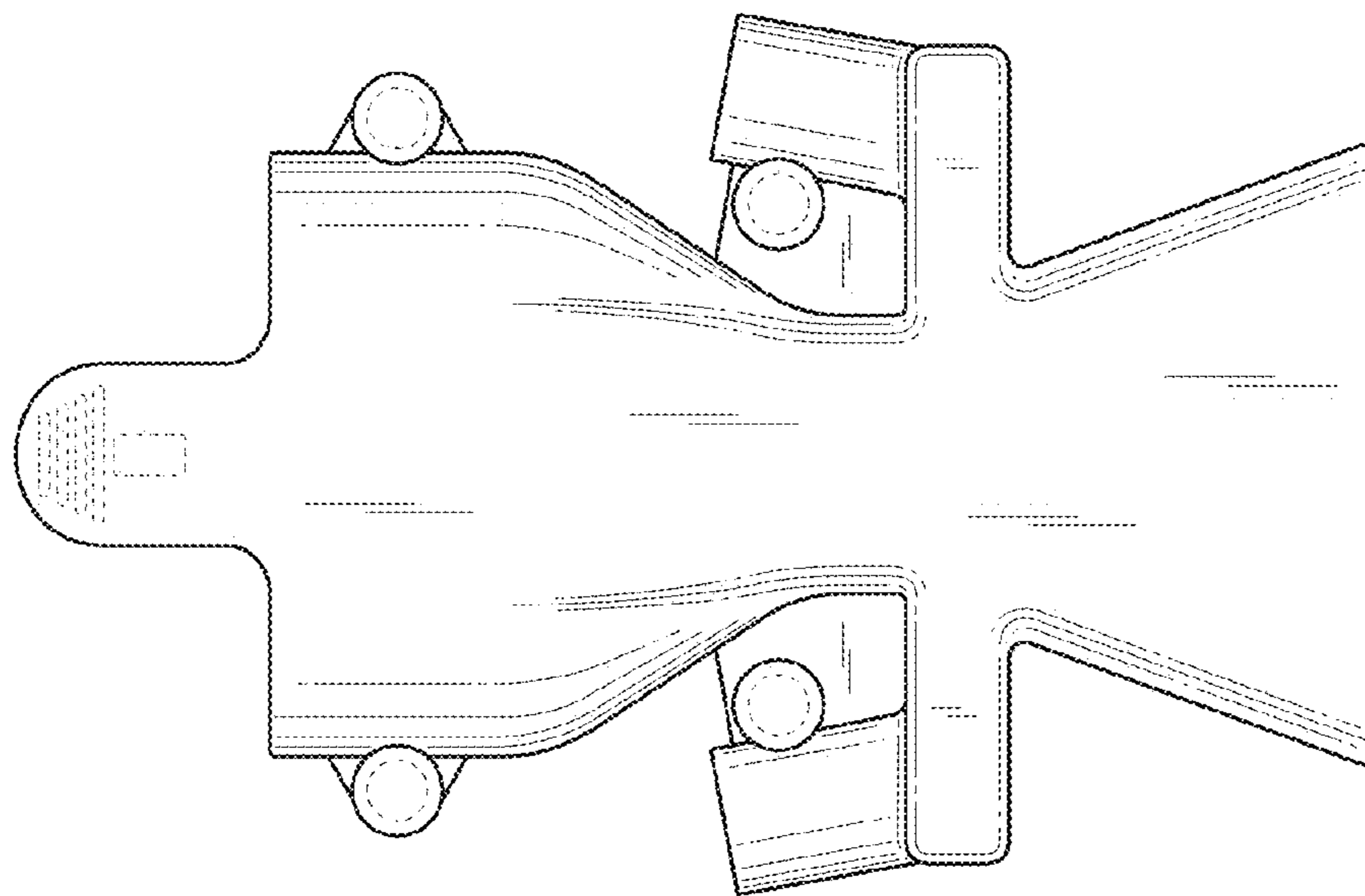


Fig. 8

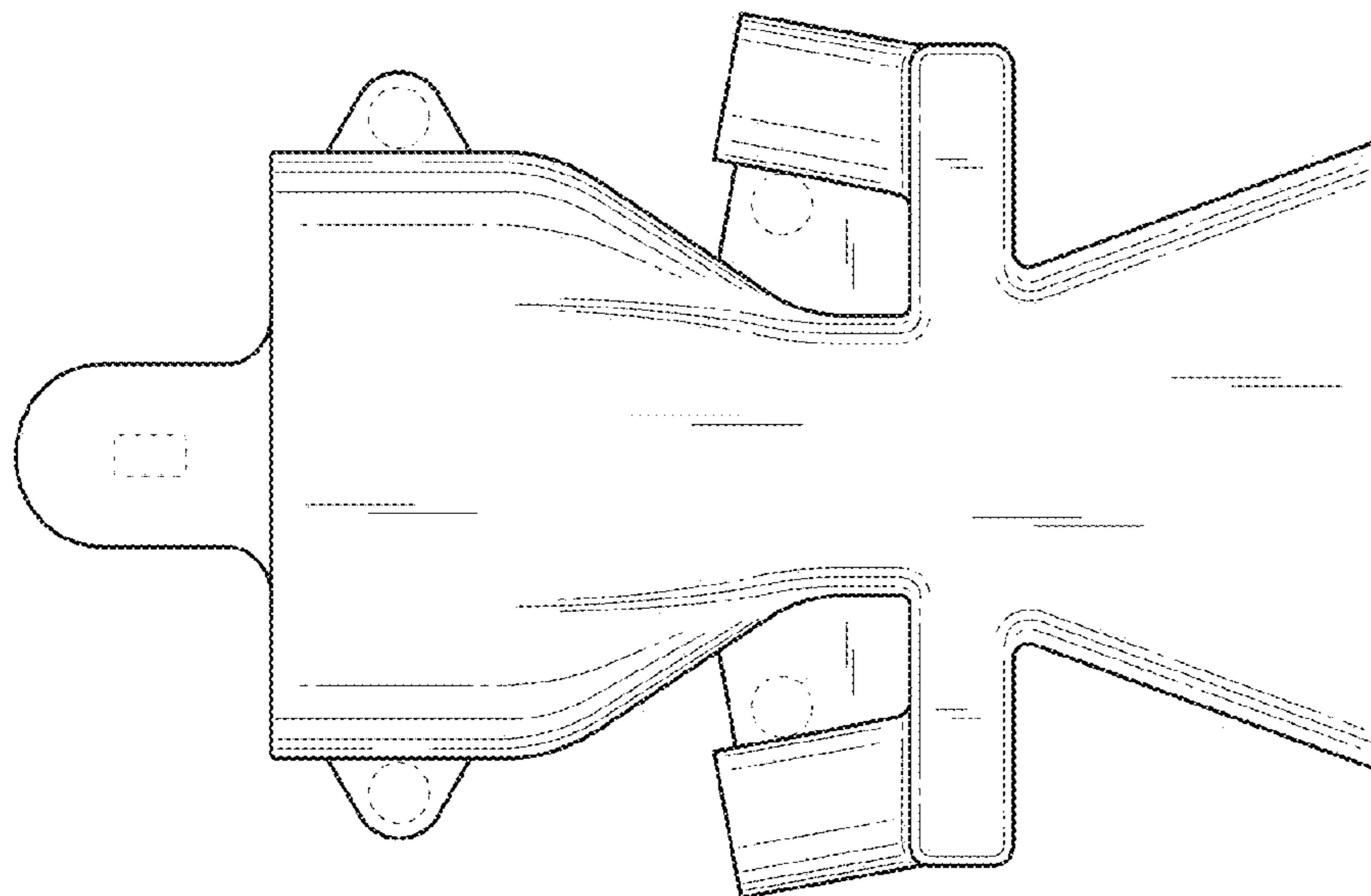
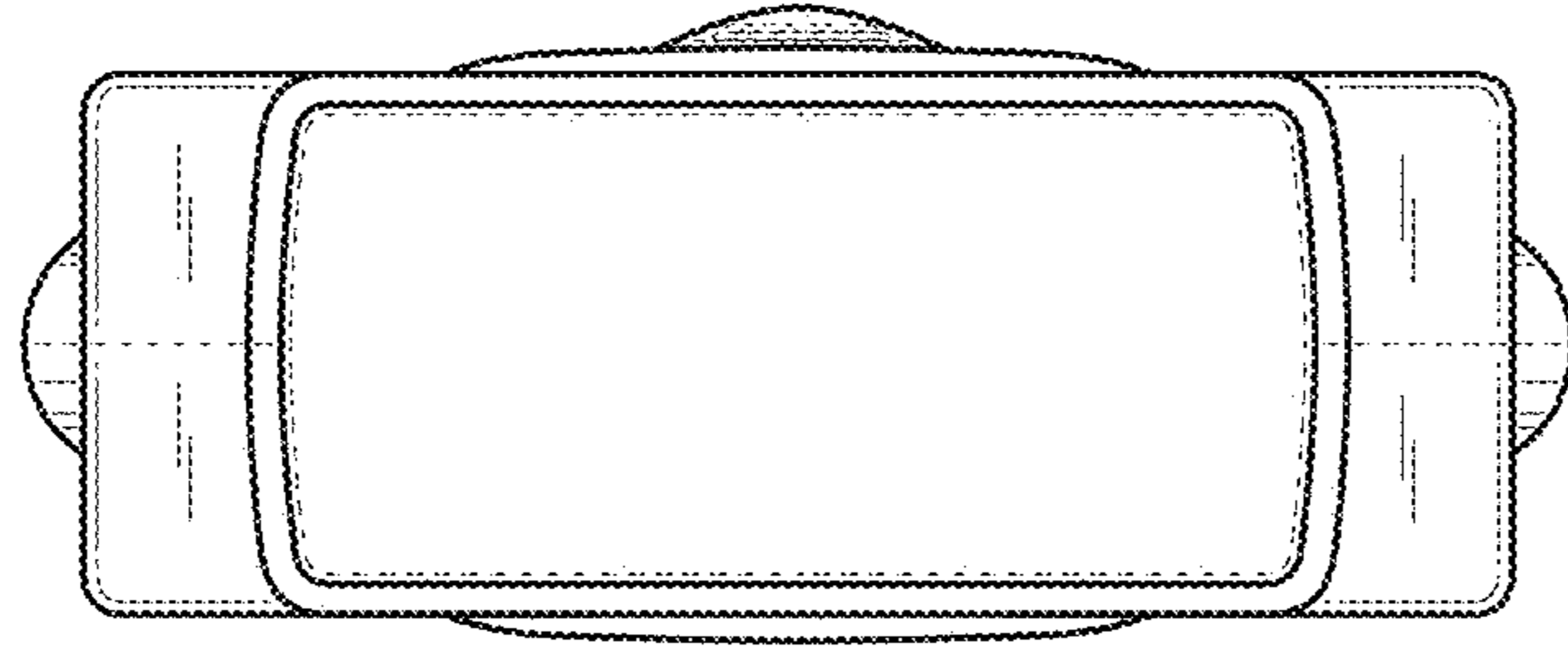
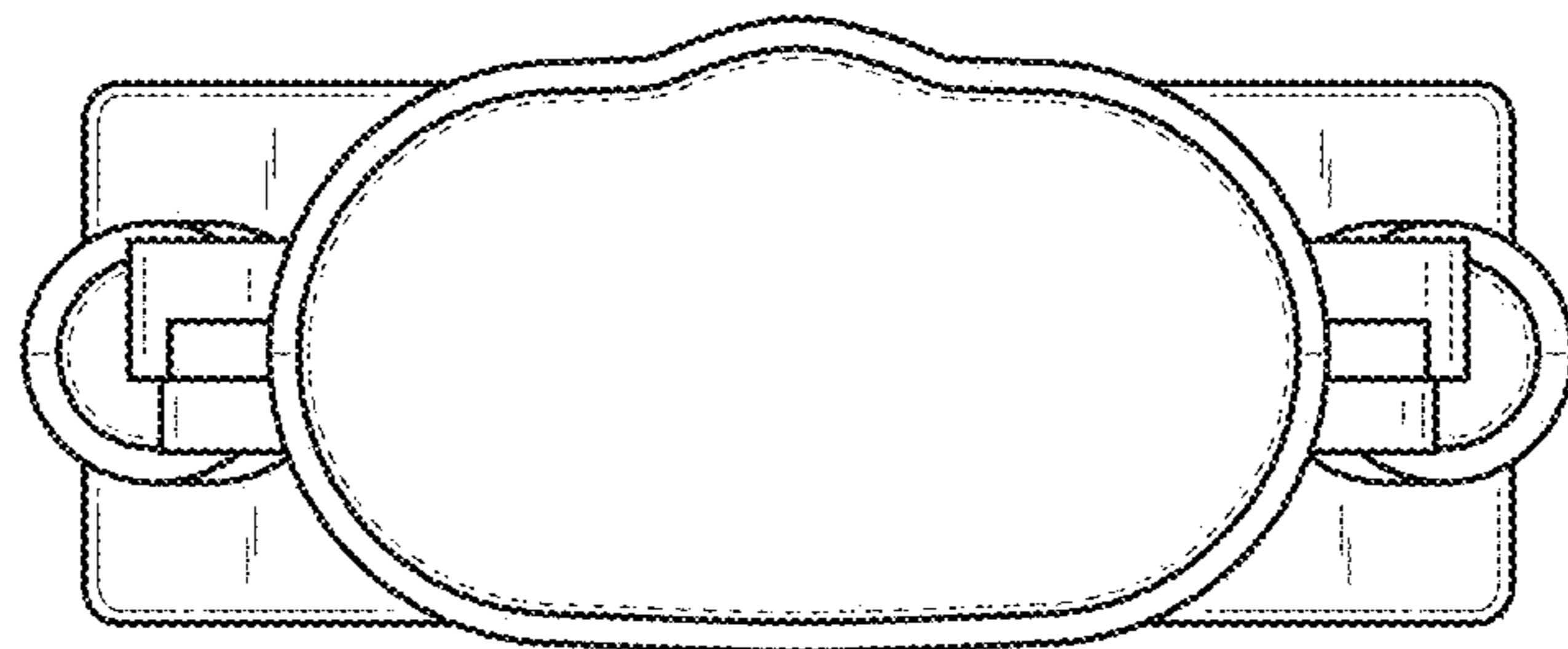


Fig. 9



**Fig. 10**



**Fig. 11**