



US00D735427S

(12) **United States Design Patent**
Ishibashi et al.

(10) **Patent No.:** **US D735,427 S**
(45) **Date of Patent:** **** Jul. 28, 2015**

(54) **ROLLER SHAFT FOR SUBSTRATE
CLEANING**

6,254,167 B1 * 7/2001 Goto et al. 15/250.3
D447,755 S * 9/2001 Howard D15/72
6,308,369 B1 10/2001 Garcia et al.

(Continued)

(71) Applicant: **EBARA CORPORATION**, Tokyo (JP)

Primary Examiner — George D Kirschbaum

(72) Inventors: **Tomoatsu Ishibashi**, Tokyo (JP);
Hiroshi Kojima, Tokyo (JP)

Assistant Examiner — Natasha Vujcic

(74) *Attorney, Agent, or Firm* — Pearne & Gordon LLP

(73) Assignee: **EBARA CORPORATION**, Tokyo (JP)

(57) **CLAIM**

The ornamental design for a roller shaft for substrate cleaning, as shown and described.

(**) Term: **14 Years**

DESCRIPTION

(21) Appl. No.: **29/461,044**

FIG. 1 is a front view of a roller shaft for substrate cleaning showing our new design;

(22) Filed: **Jul. 18, 2013**

FIG. 2 is a rear view thereof;

(30) **Foreign Application Priority Data**

Feb. 1, 2013 (JP) 2013-002016

FIG. 3 is a plane view thereof;

(51) **LOC (10) Cl.** **08-99**

FIG. 4 is a bottom view thereof;

(52) **U.S. Cl.**

USPC **D32/25**; D32/35

FIG. 5 is a right side view thereof;

(58) **Field of Classification Search**

USPC D32/1, 3, 5, 7, 13, 14, 19, 21, 23, 25,
D32/27, 29, 32, 33, 35; 15/77, 102, 230,
15/230.12, 230.14, 230.16; 134/6;
451/194; D8/349, 354, 356, 363, 379,
D8/382, 383, 385, 386, 387, 394, 397,
D8/399; D15/14, 16, 28, 29, 72, 89, 130,
D15/142; D18/10, 40, 46, 58, 34.2, 34.8

FIG. 6 is an enlarged front view thereof;

FIG. 7 is an enlarged perspective view thereof;

FIG. 8 is another front view, showing the cross-sectional cut line thereof;

FIG. 9 is a cross-section view taken along the line 9-9 of FIG. 1 thereof;

FIG. 10 is an enlarged plane view of portion 10 of FIG. 3 thereof;

FIG. 11 is an enlarged bottom view of portion 11 of FIG. 4 thereof;

FIG. 12 is an enlarged right side view of portion 12 of FIG. 5 thereof; and,

FIG. 13 is a cross-section view taken along the line 13-13 of FIG. 8 of thereof.

See application file for complete search history.

The internal material revealed by the cross-sectional slice, illustrated in FIGS. 9 and 13, forms no part of the claimed design.

The particular cross-hatching patterns in FIGS. 9 and 13 do not represent any particular materials.

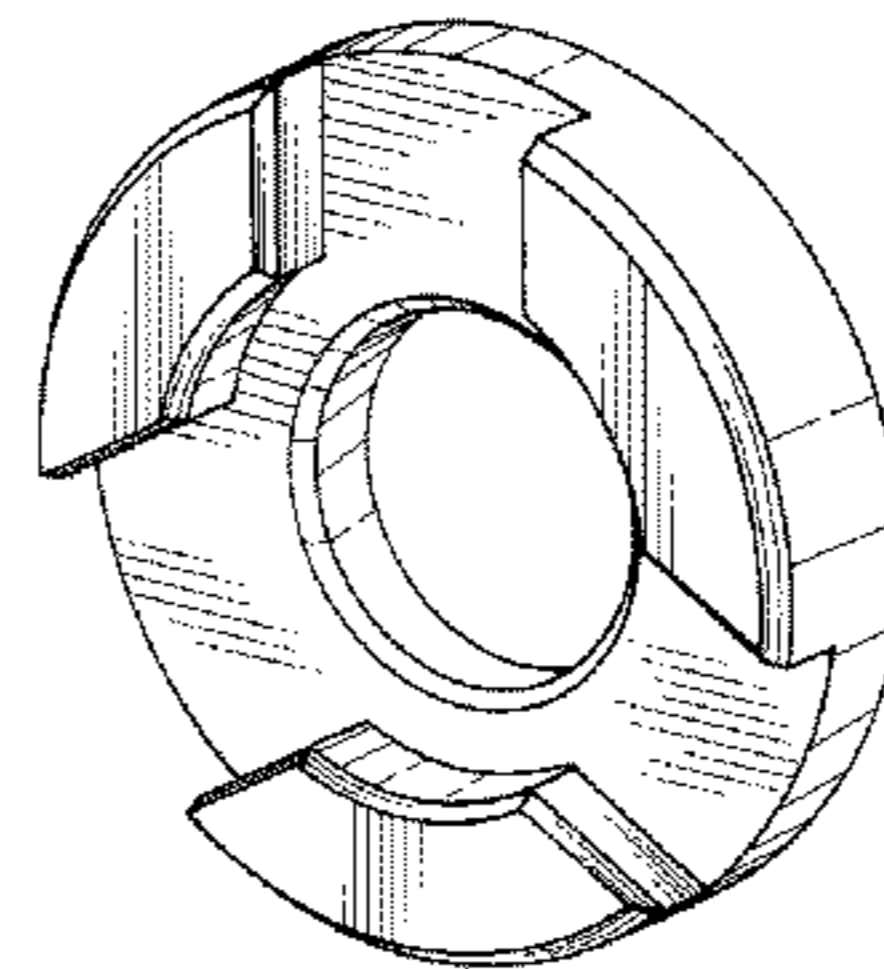
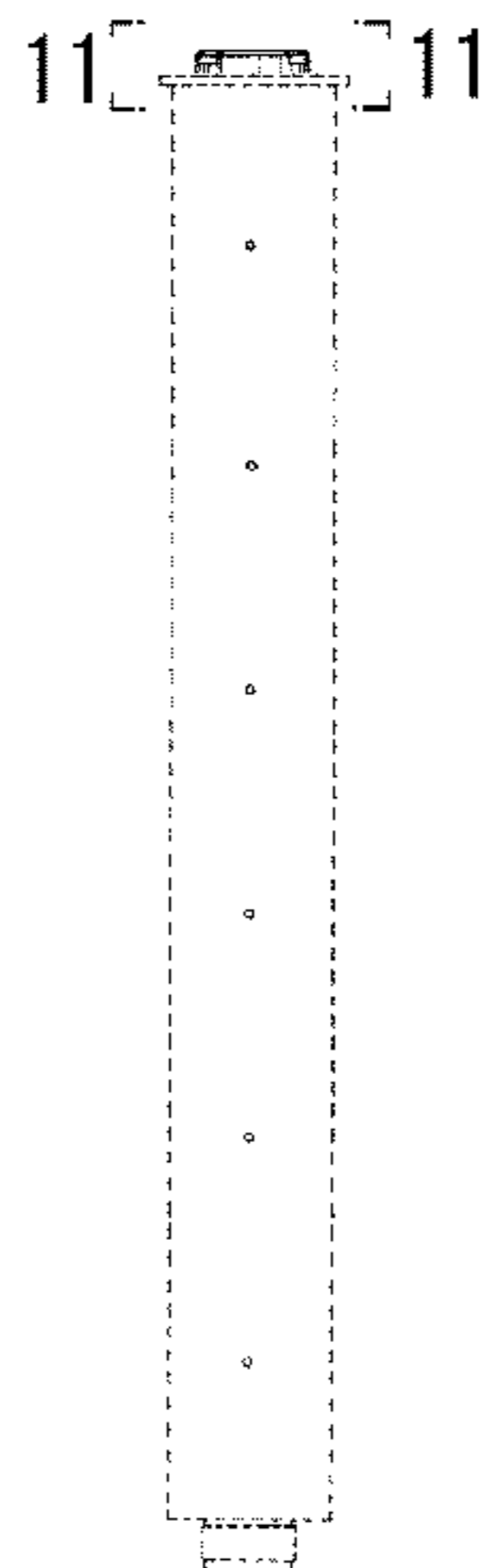
The broken lines in the drawings illustrate portions of the roller shaft for substrate cleaning which form no part of the claimed design.

(56) **References Cited**

U.S. PATENT DOCUMENTS

3,426,365 A * 2/1969 Ament et al. 4/405
D241,074 S * 8/1976 Hamisch D18/58
D269,852 S * 7/1983 Frieberg D8/399
D293,812 S * 1/1988 Roth D32/25
D357,030 S * 4/1995 McKenna D15/143
5,745,945 A * 5/1998 Manfredi et al. 15/77
6,240,588 B1 * 6/2001 Dickey et al. 15/88.3

1 Claim, 3 Drawing Sheets



(56)

References Cited

U.S. PATENT DOCUMENTS

6,330,729	B1 *	12/2001	Brunelli et al.	15/102	D622,920	S	8/2010	Bejtlich, III	
6,371,421	B1 *	4/2002	Ma et al.	D8/399	7,955,693	B2 *	6/2011	Drury	428/304.4
6,467,120	B1 *	10/2002	Ziemins et al.	15/102	8,092,730	B2 *	1/2012	Wargo et al.	264/54
D468,190	S *	1/2003	Kennedy et al.	D8/358	D658,978	S *	5/2012	Linares	D8/399
6,502,273	B1 *	1/2003	Mihara et al.	15/230.16	8,372,210	B2 *	2/2013	Sin et al.	134/26
6,523,210	B1 *	2/2003	Andros	15/102	8,496,758	B2 *	7/2013	Idani	15/102
6,598,255	B1 *	7/2003	Gohda et al.	15/102	8,533,895	B2 *	9/2013	Benson	15/102
D481,498	S *	10/2003	Pinedo	D32/25	D707,408	S *	6/2014	Ishibashi	D32/25
6,802,099	B2 *	10/2004	Murakami et al.	15/102	D710,062	S *	7/2014	Ishibashi et al.	D32/25
D508,750	S *	8/2005	Rashidi	D26/74	D710,191	S *	8/2014	Yamazaki	D8/399
D558,048	S *	12/2007	Perkitny	D9/434	8,826,778	B1 *	9/2014	Minnick	81/124.2
7,735,177	B1 *	6/2010	Farber et al.	15/102	D718,340	S *	11/2014	Damshak et al.	D15/14
					2009/0026671	A1 *	1/2009	Kojima et al.	267/121
					2013/0312790	A1 *	11/2013	Ishibashi	134/6
					2014/0295716	A1 *	10/2014	Kojima et al.	439/877

* cited by examiner

FIG. 1

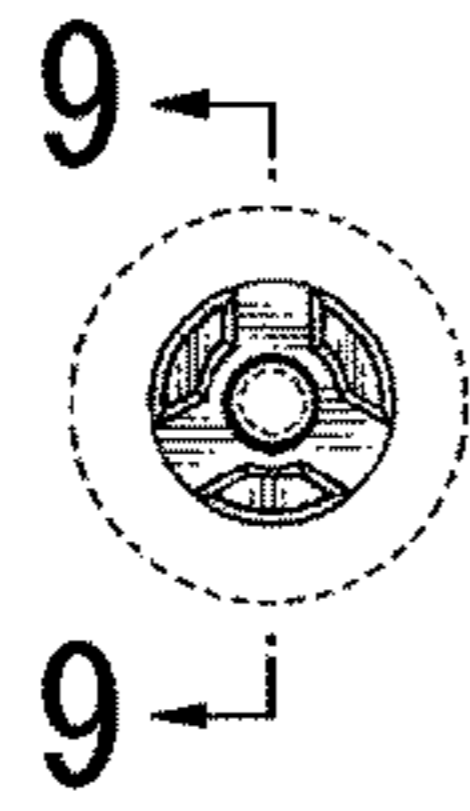


FIG. 2



FIG. 3

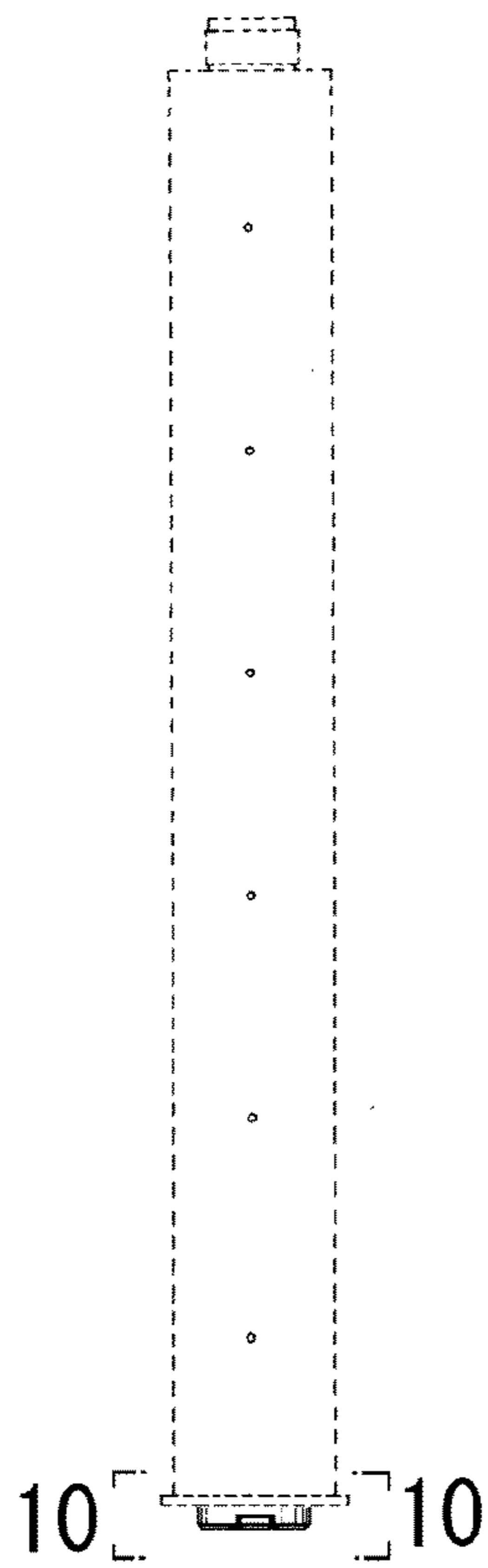


FIG. 4

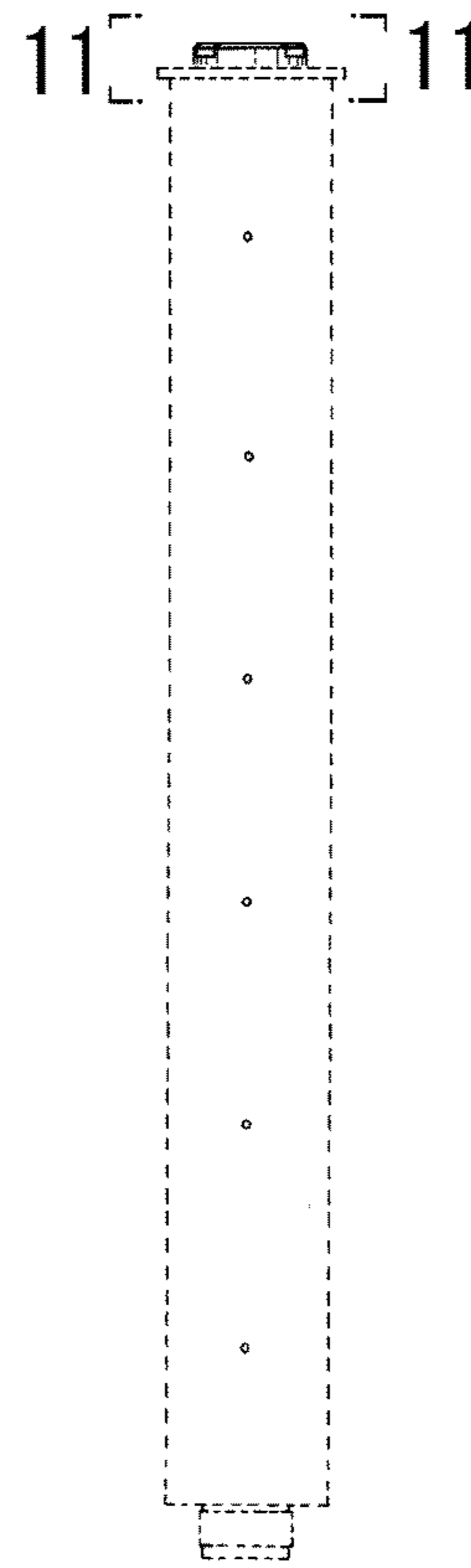


FIG. 5

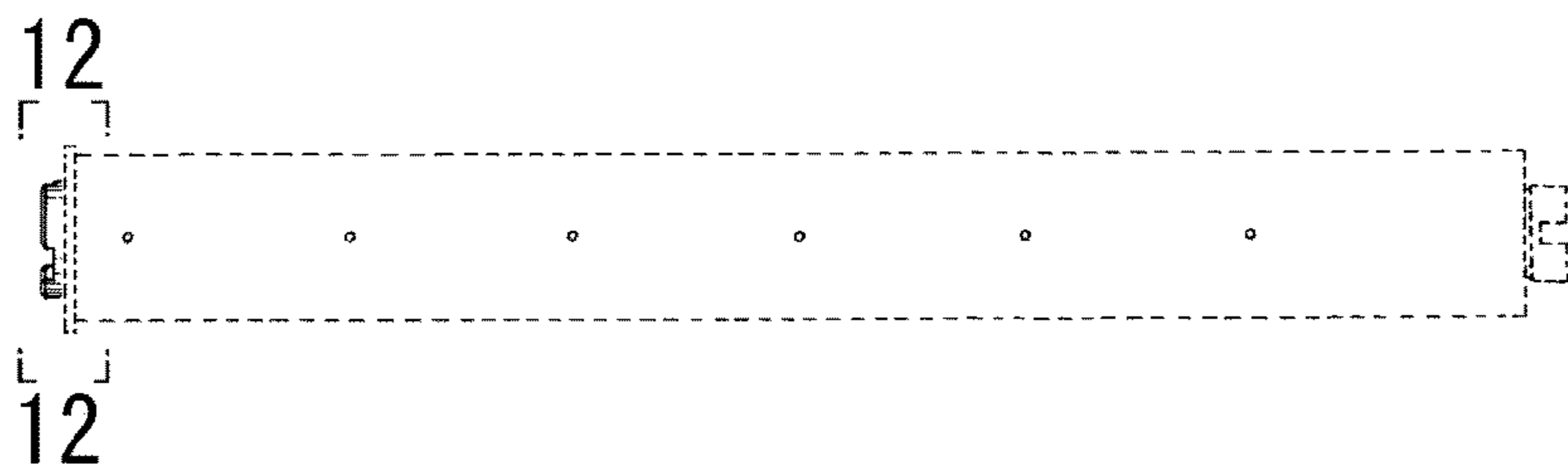


FIG. 6

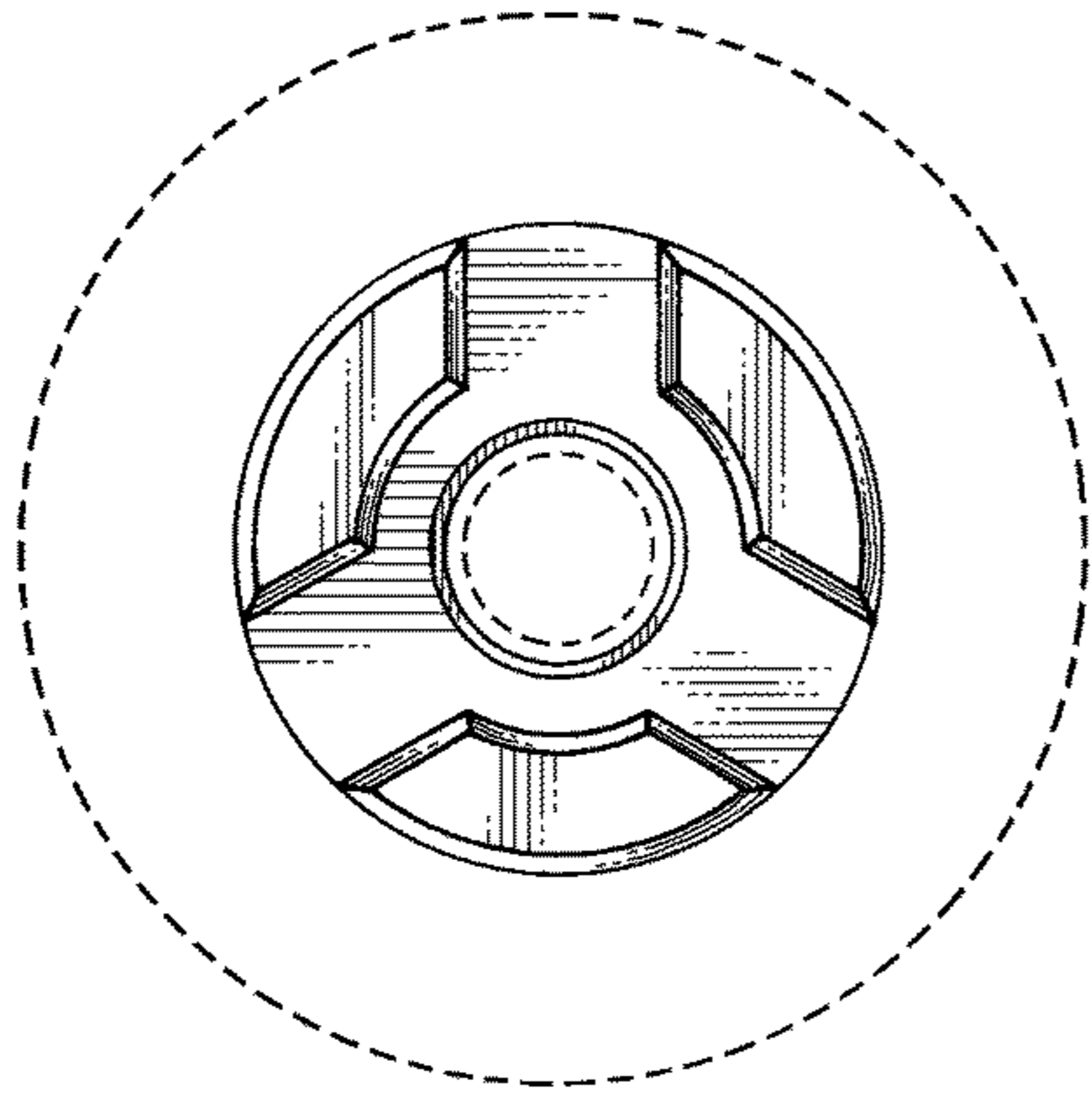


FIG. 7

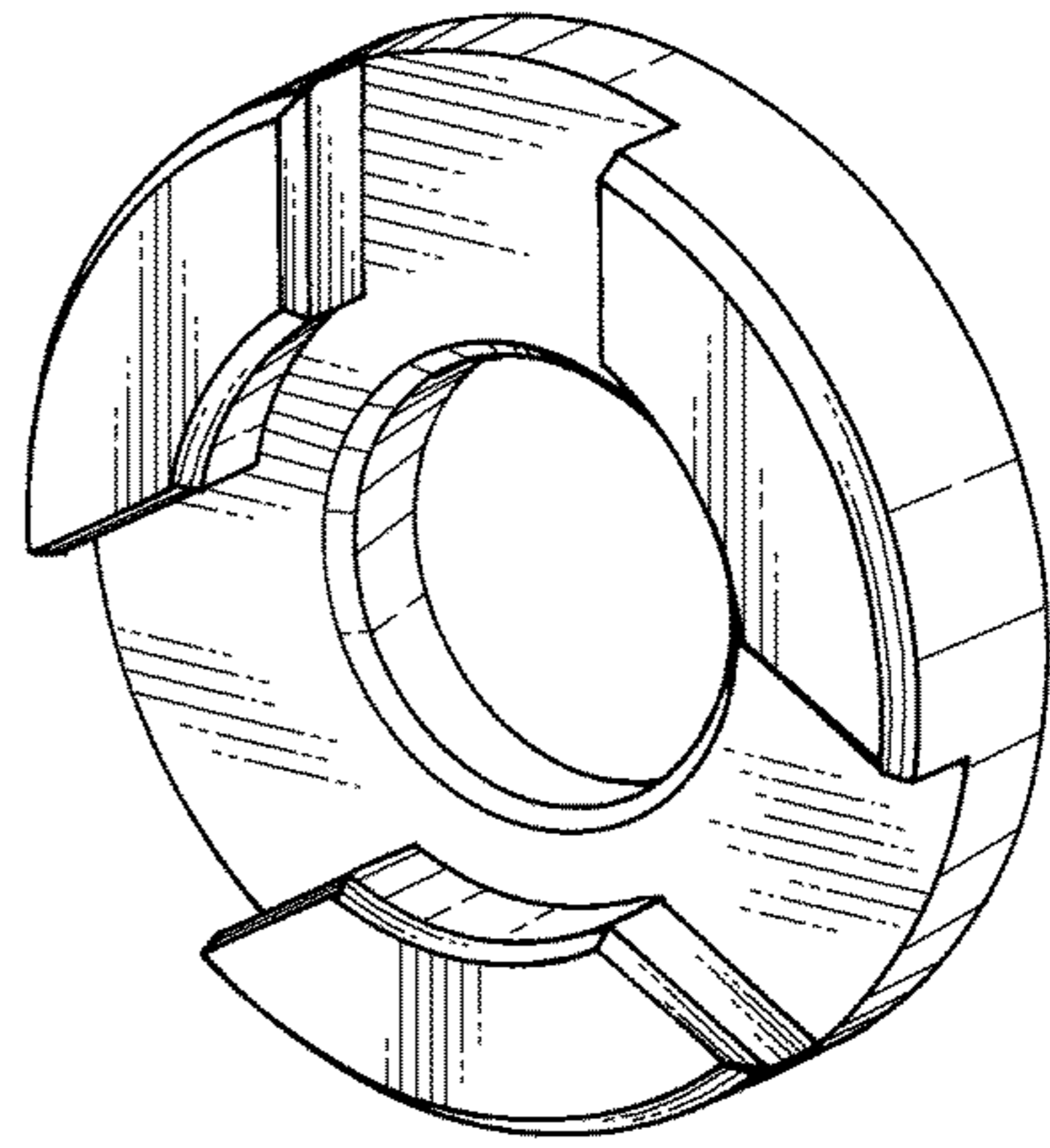


FIG. 8

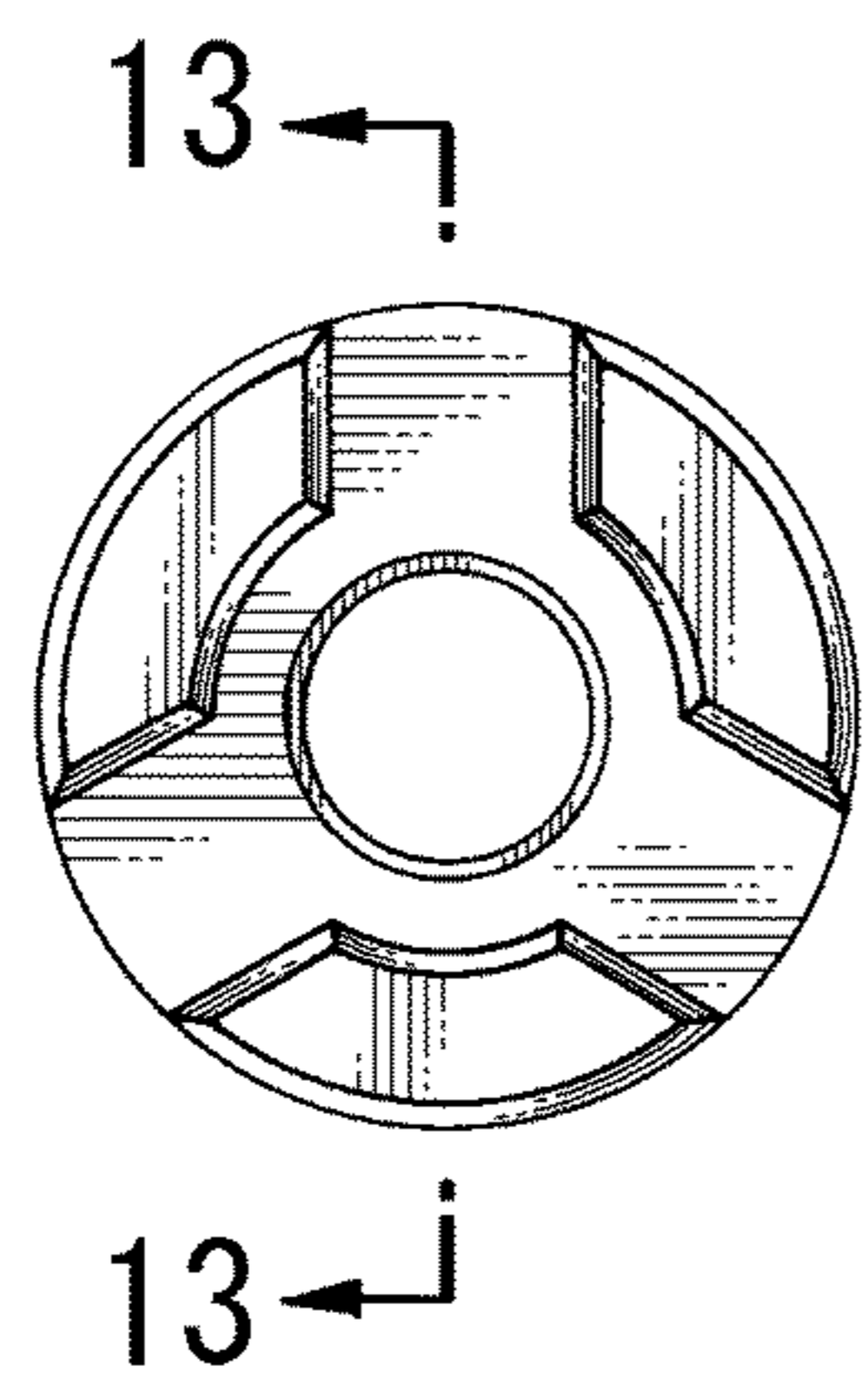


FIG. 9

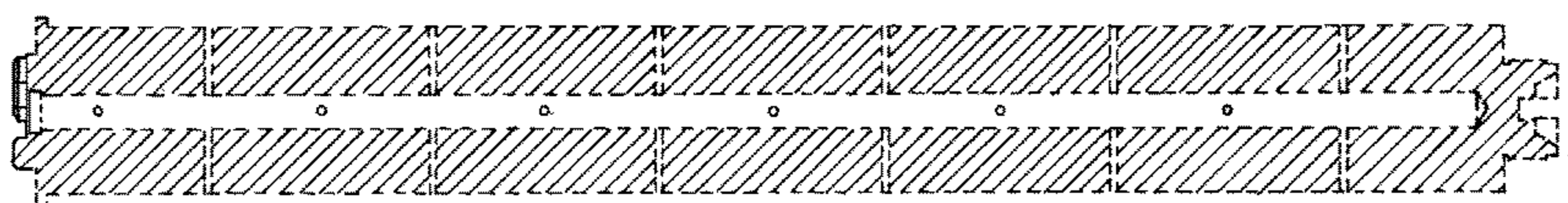


FIG. 10

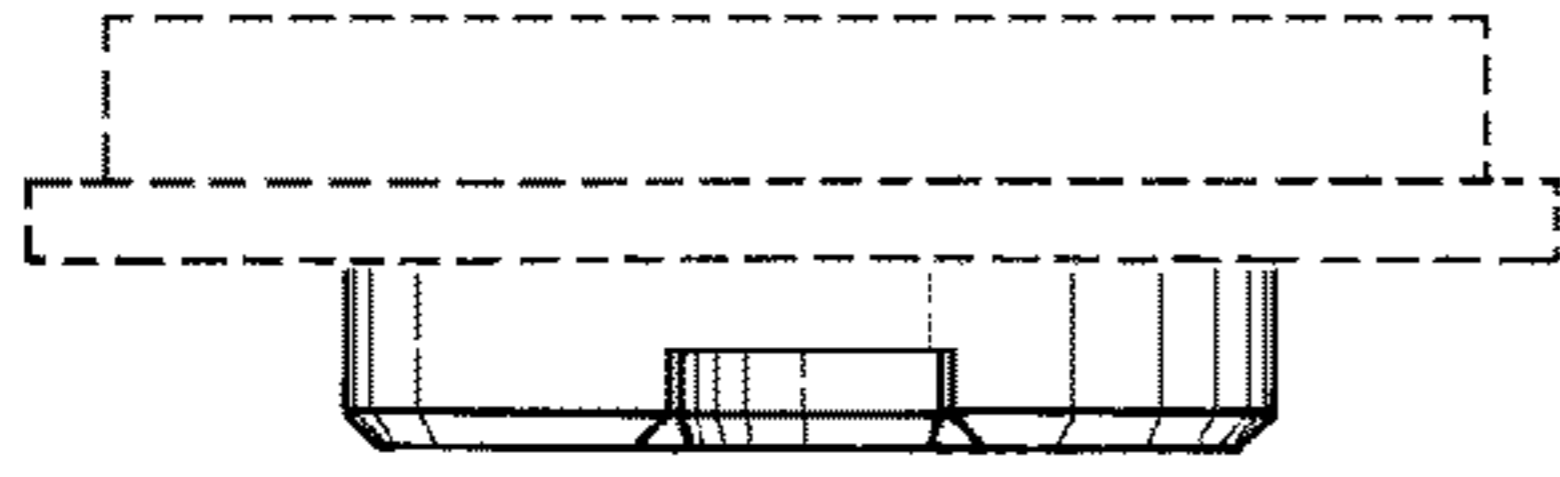


FIG. 11

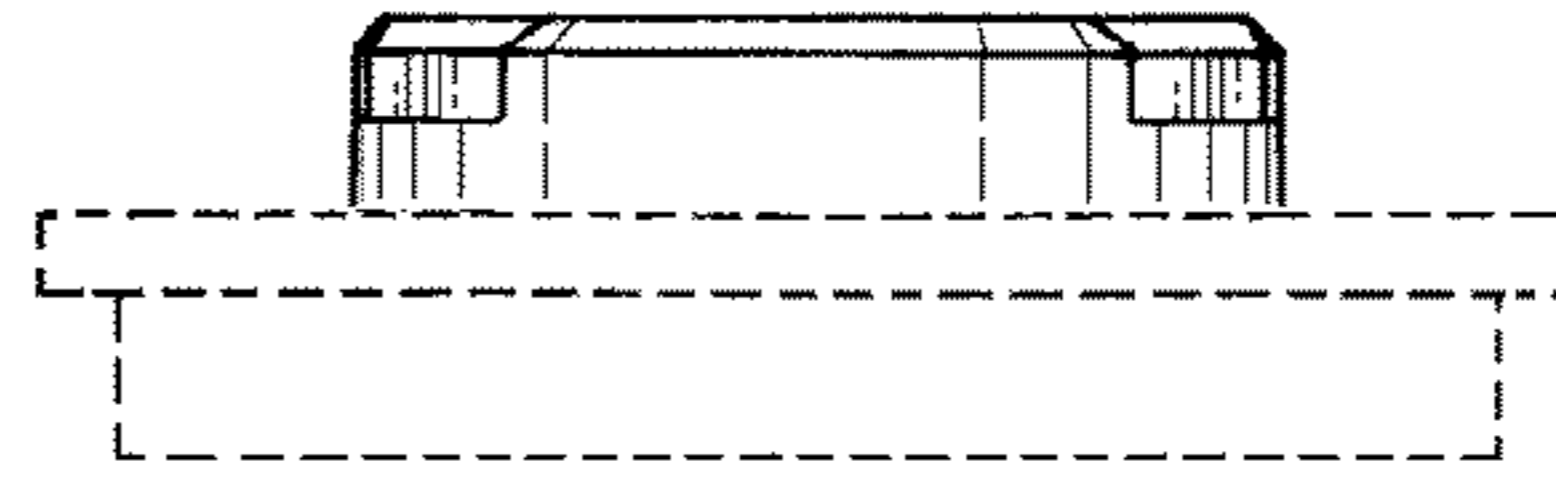


FIG. 12

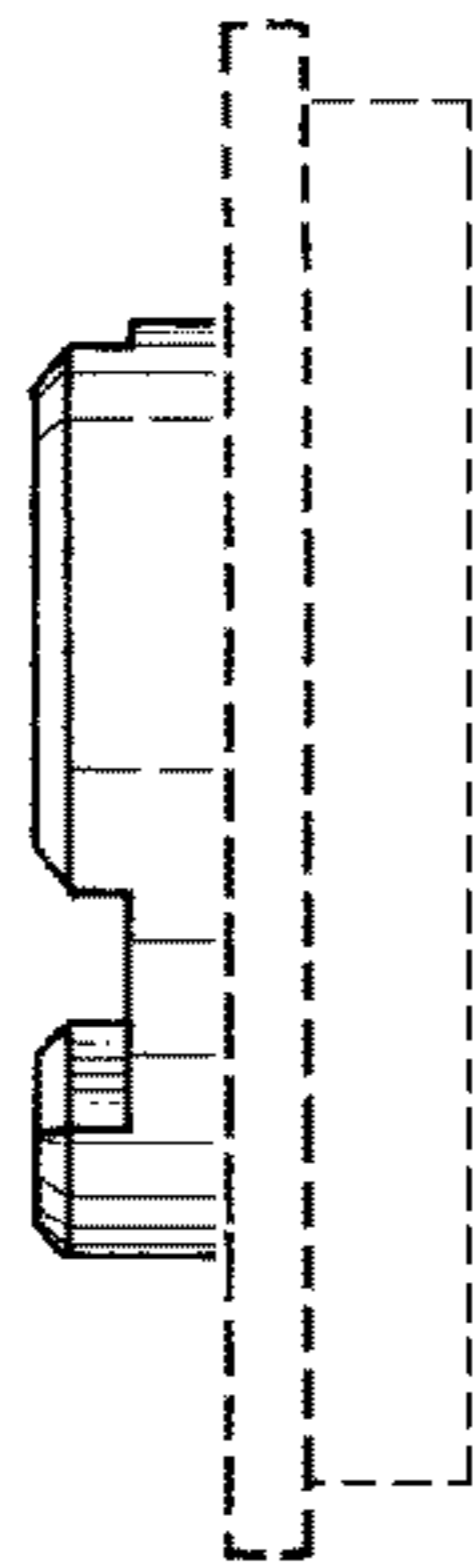


FIG. 13

