



US00D735426S

(12) **United States Design Patent**
Yun et al.

(10) **Patent No.:** **US D735,426 S**
(45) **Date of Patent:** **** Jul. 28, 2015**

(54) **VACUUM CLEANER**

(71) Applicant: **Samsung Electronics Co., Ltd.**,
Suwon-si (KR)
(72) Inventors: **Deoksang Yun**, Ansan-si (KR);
YeonYoung Nam, Goyang-si (KR);
Hwanwoong Choi, Seoul (KR)
(73) Assignee: **Samsung Electronics Co., Ltd.**,
Suwon-si (KR)

(**) Term: **14 Years**

(21) Appl. No.: **29/483,021**

(22) Filed: **Feb. 25, 2014**

(30) **Foreign Application Priority Data**

Sep. 2, 2013 (KR) 30-2013-0045137

(51) **LOC (10) Cl.** **15-05**

(52) **U.S. Cl.**
USPC **D32/22**

(58) **Field of Classification Search**
USPC D32/15-16, 18-21, 22, 30-34; D15/18;
D12/111, 114; 15/410-412, 246.2,
15/320, 329, 344, 350, 347, DIG. 10, 349,
15/351-353, 340.2, 361, 362; 55/DIG. 3,
55/323, 337, 429; D8/68-69

See application file for complete search history.

(56) **References Cited**

U.S. PATENT DOCUMENTS

D462,813	S	*	9/2002	Nakano et al.	D32/22
D510,465	S	*	10/2005	Takahashi et al.	D32/22
D532,944	S	*	11/2006	Choi	D32/22
D535,070	S	*	1/2007	Shin	D32/22
D587,870	S	*	3/2009	Baek et al.	D32/22
D610,317	S	*	2/2010	Lee et al.	D32/22
D610,318	S	*	2/2010	Shin	D32/22
D633,264	S	*	2/2011	Lee	D32/22
D652,589	S	*	1/2012	Lee	D32/22
D659,313	S	*	5/2012	Shin et al.	D32/22
D666,368	S	*	8/2012	Ghim et al.	D32/22
D670,878	S	*	11/2012	Lee	D32/22
D693,073	S	*	11/2013	Eun-Sun et al.	D32/22
2014/0013537	A1	*	1/2014	Kasper	15/353

* cited by examiner

Primary Examiner — Ruth McInroy
(74) *Attorney, Agent, or Firm* — NSIP Law

(57) **CLAIM**

We claim the ornamental design for a vacuum cleaner, as shown and described.

DESCRIPTION

FIG. 1 is a front perspective view of a vacuum cleaner showing our new design;
FIG. 2 is a front view thereof;
FIG. 3 is a rear view thereof;
FIG. 4 is a left-side view thereof;
FIG. 5 is a right-side view thereof;
FIG. 6 is a top view thereof; and,
FIG. 7 is an exploded perspective view thereof.
The broken lines in the figures show portions of the vacuum cleaner which form no part of the claimed design.

1 Claim, 7 Drawing Sheets

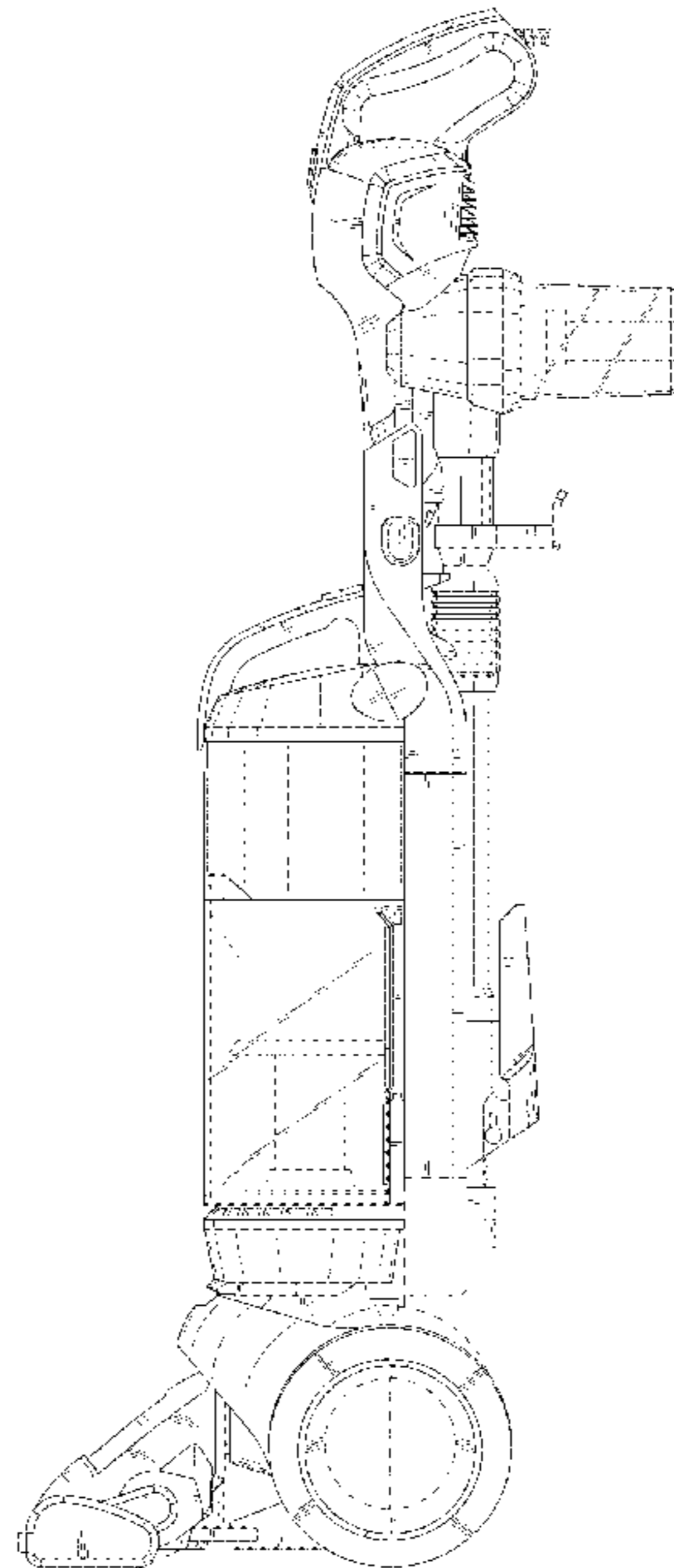
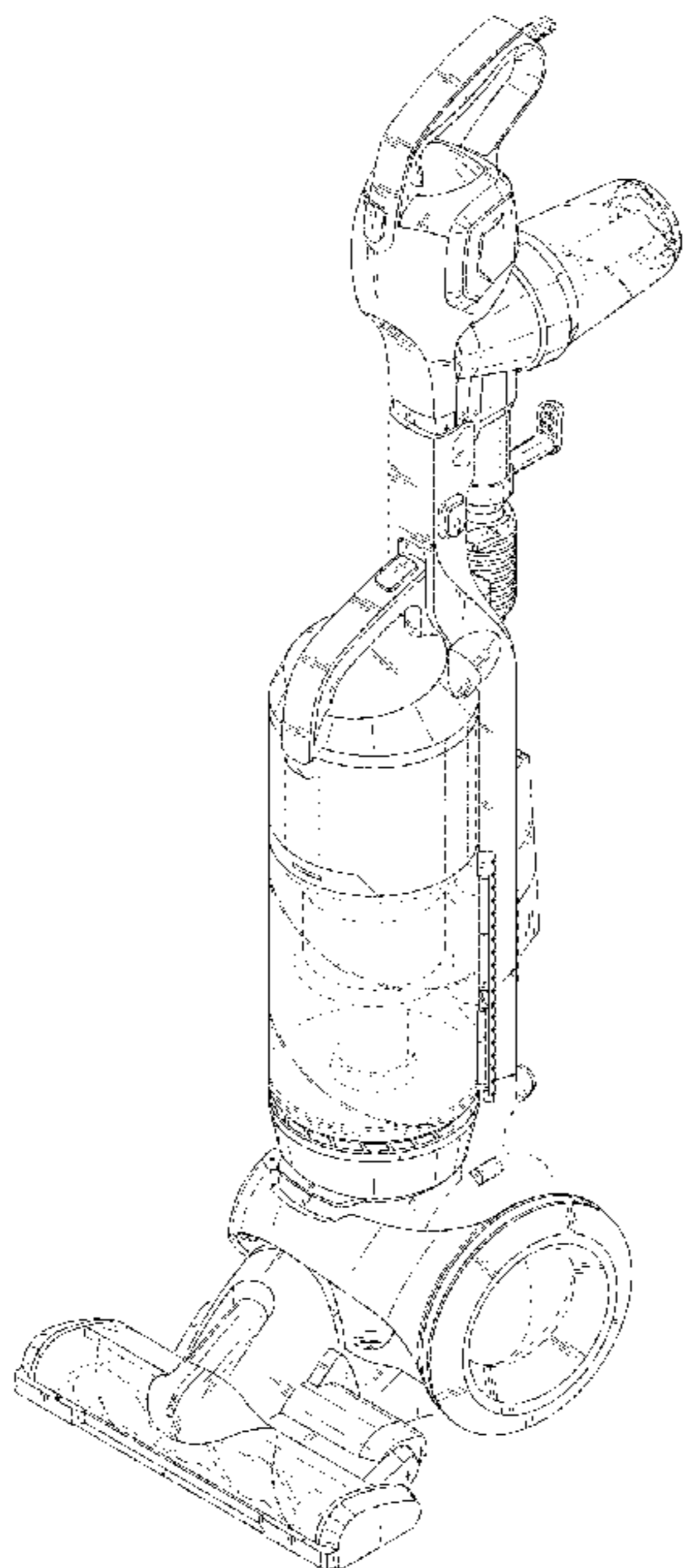


FIG. 1

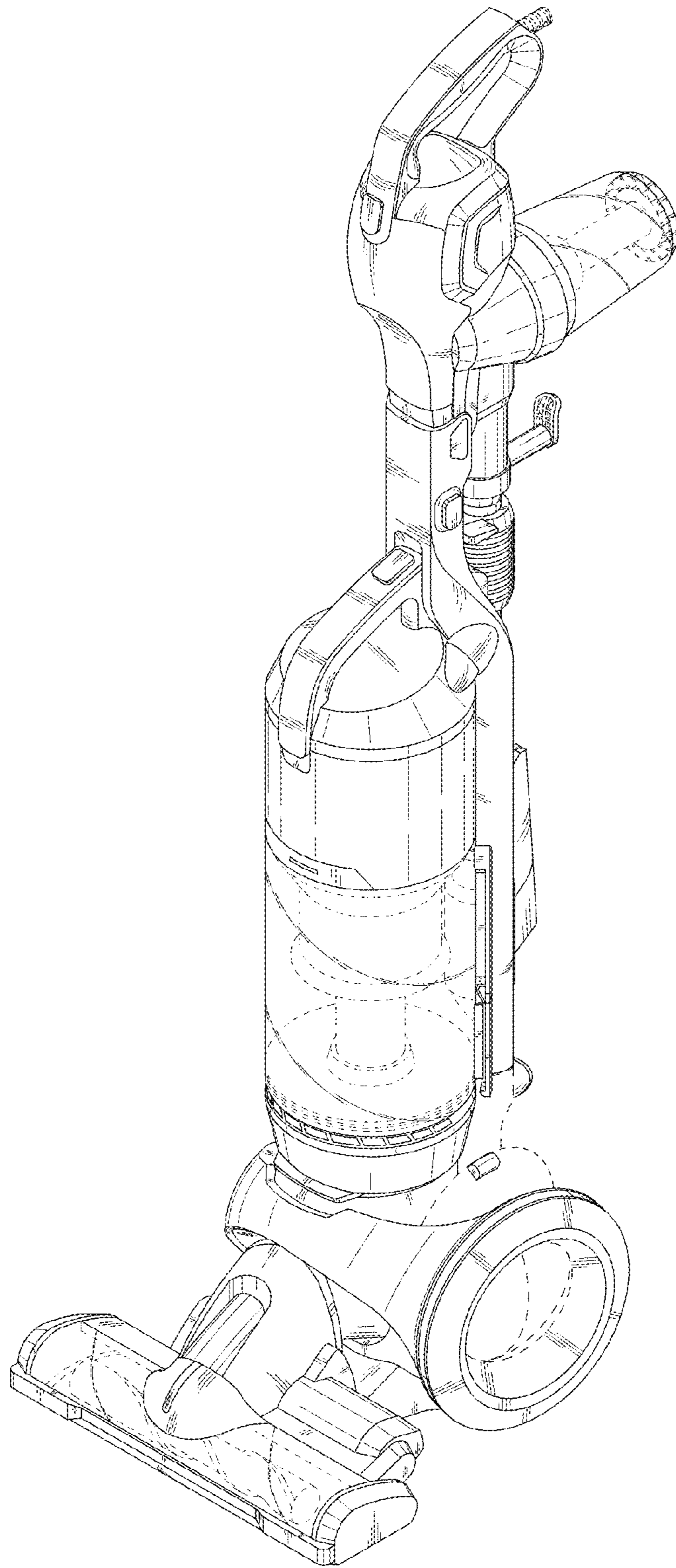


FIG. 2

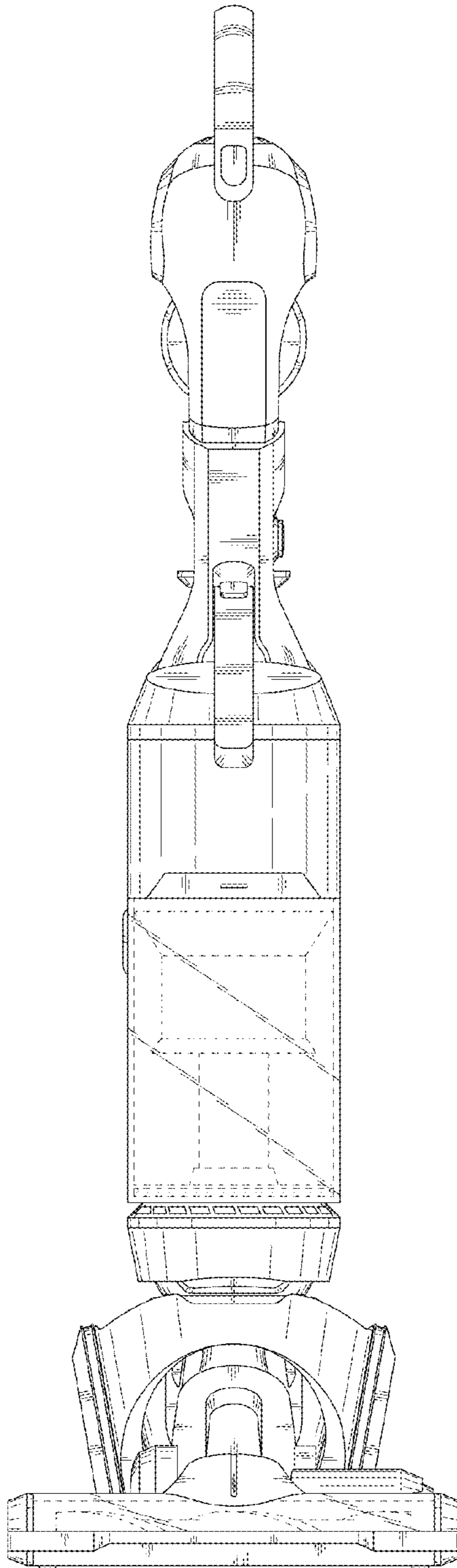


FIG. 3

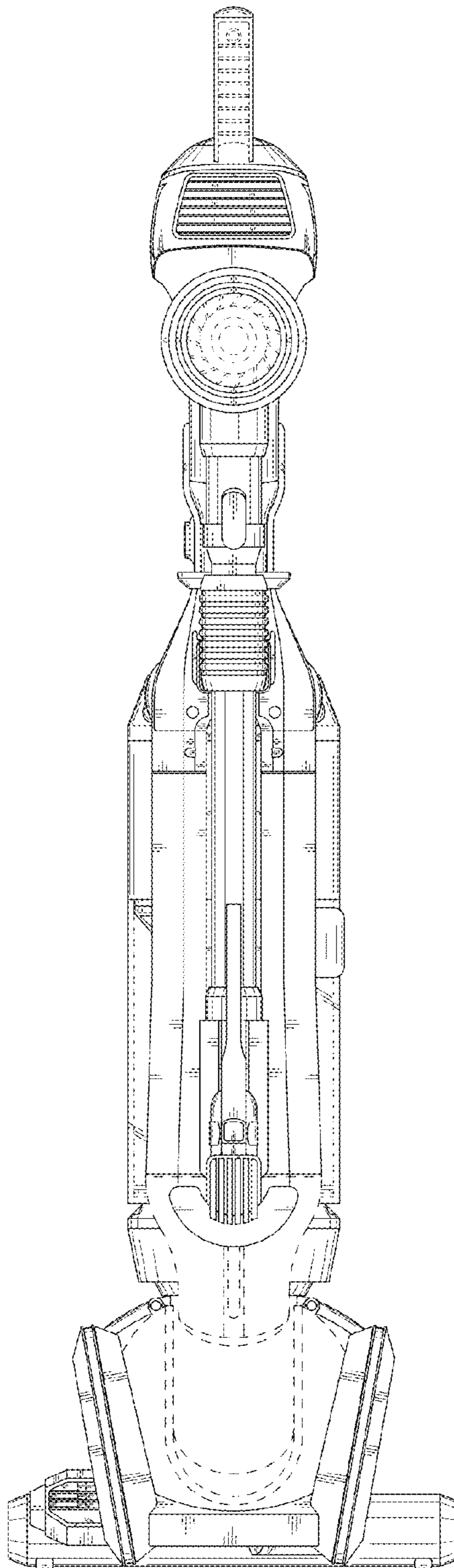


FIG. 4

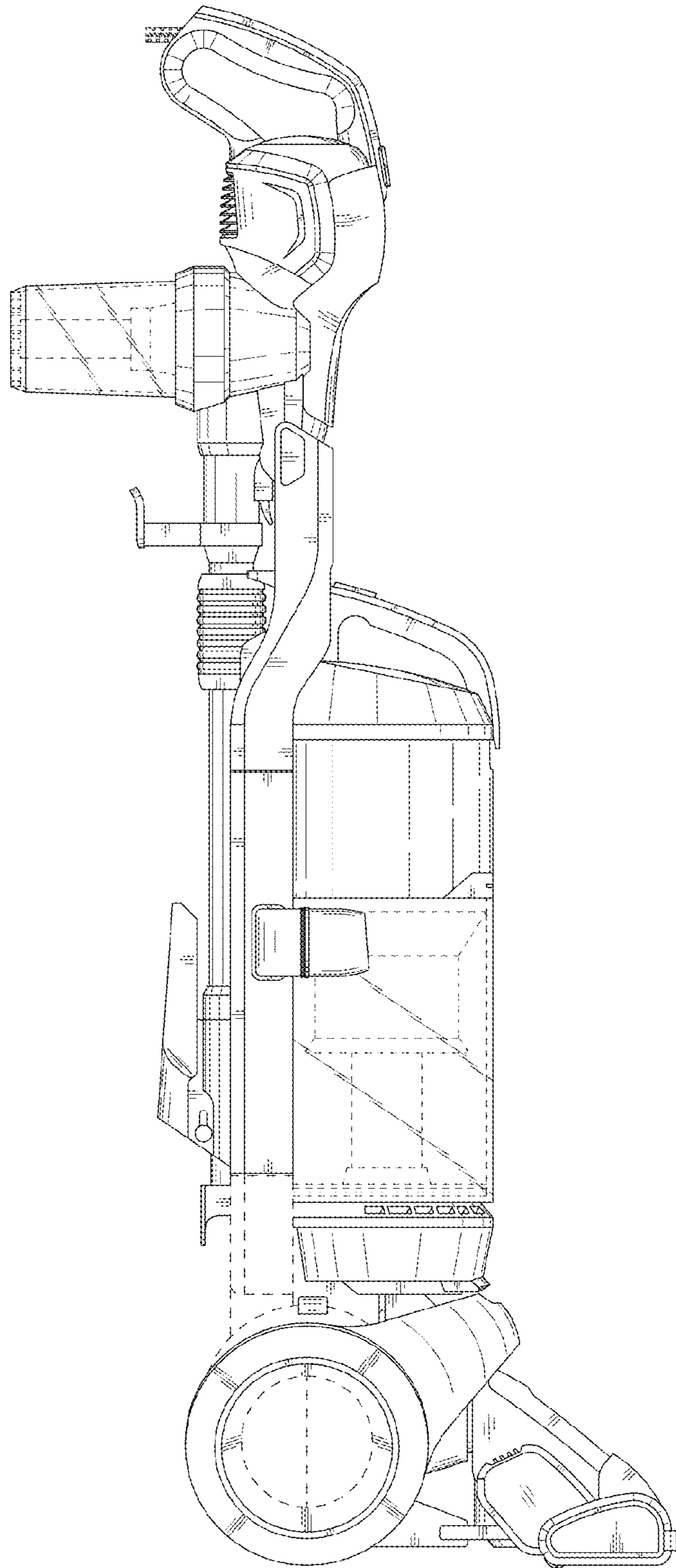


FIG. 5

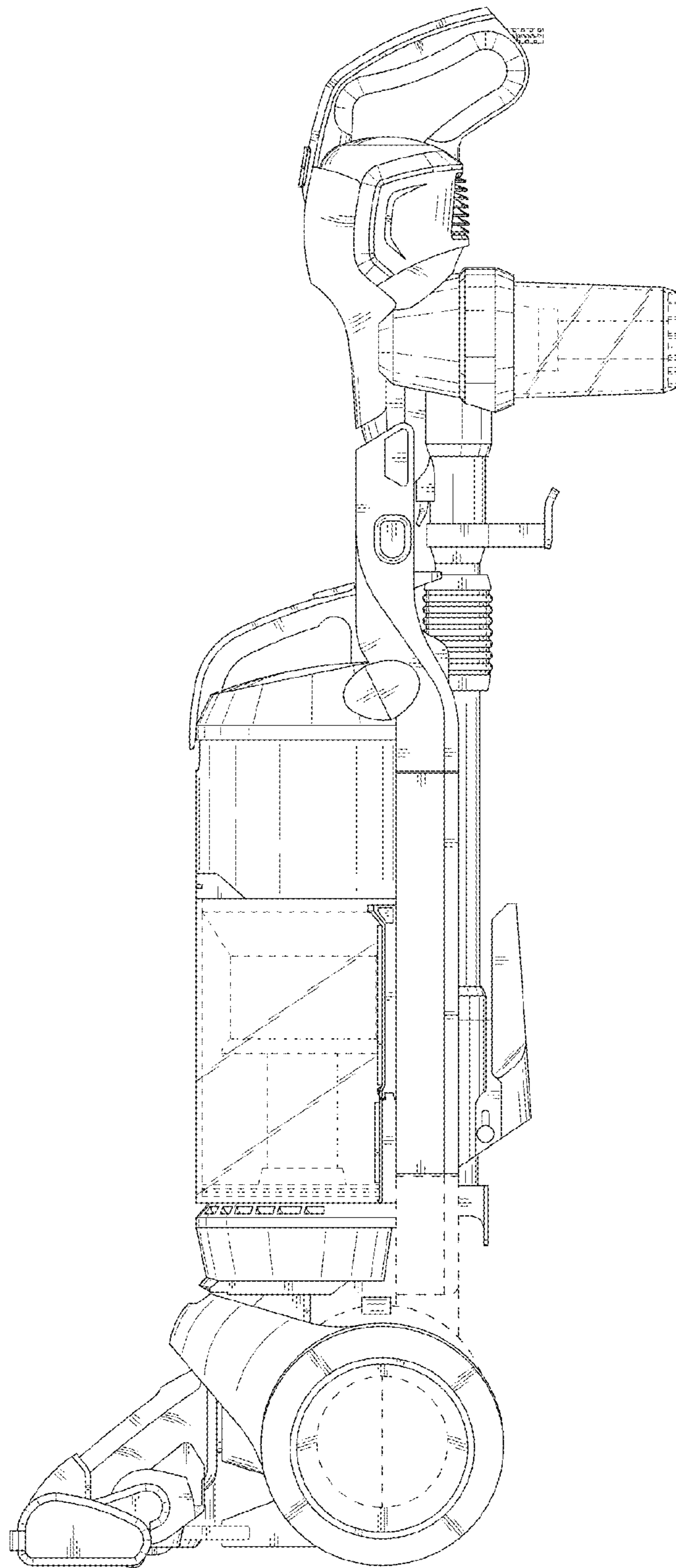


FIG. 6

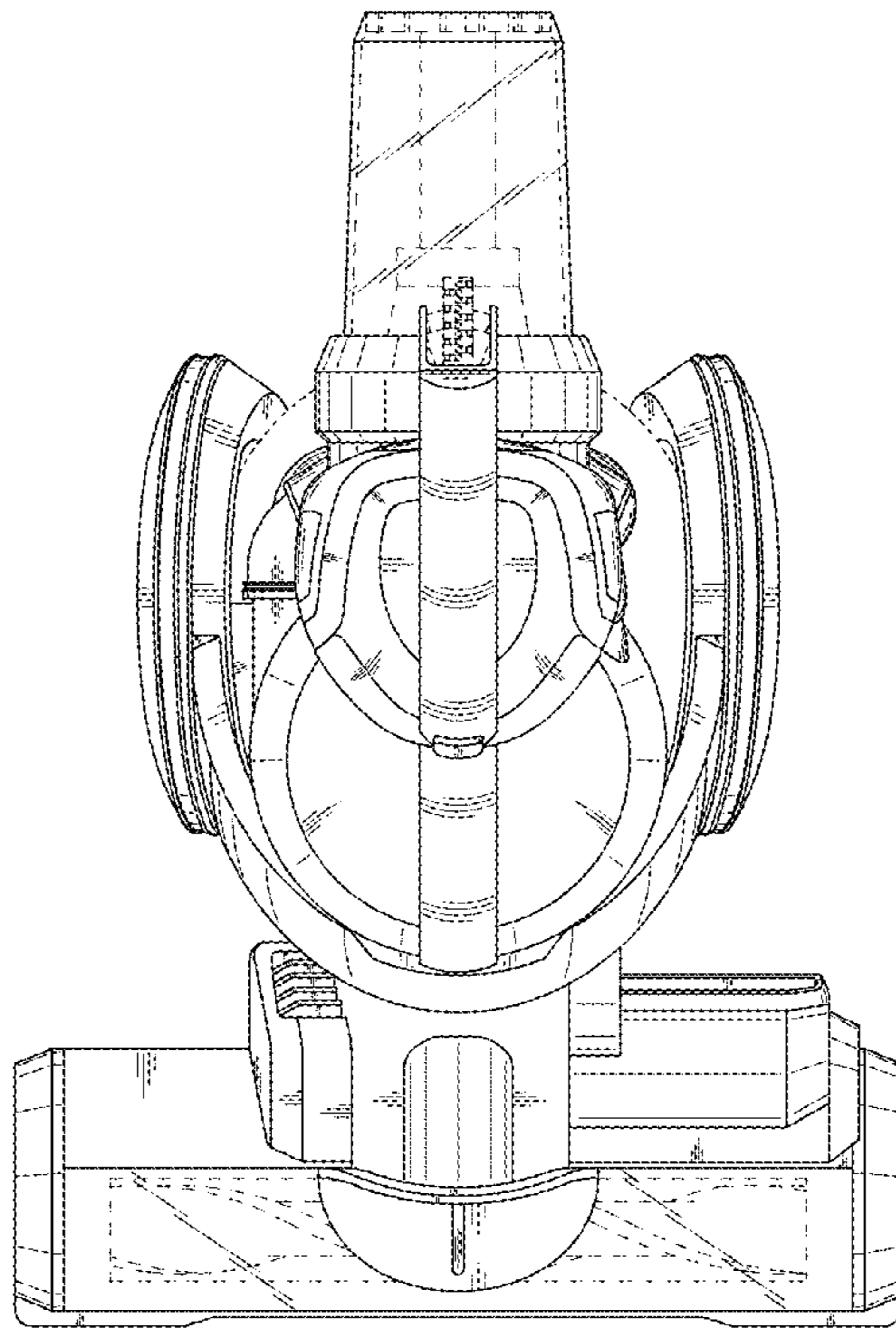


FIG. 7

