



US00D735425S

(12) **United States Design Patent**  
**Choi et al.**

(10) **Patent No.:** **US D735,425 S**  
(45) **Date of Patent:** **\*\* Jul. 28, 2015**

(54) **WASHING MACHINE**

D577,471 S \* 9/2008 Park et al. .... D32/28  
D582,106 S \* 12/2008 Kim et al. .... D32/6

(71) Applicant: **Samsung Electronics Co., Ltd.**,  
Suwon-si, Gyeonggi-do (KR)

(Continued)

(72) Inventors: **Hyoung-Sub Choi**, Seoul (KR);  
**Jung-Hoon Hwang**, Yongin-si (KR);  
**Ki-Sang Yoon**, Daejeon (KR); **Jae-Won Choi**, Seoul (KR); **Tae-Hyoung Cho**, Seoul (KR)

FOREIGN PATENT DOCUMENTS

CN 301728452 \* 11/2011  
KR 3020130018625 S 4/2013

(73) Assignee: **SAMSUNG ELECTRONICS CO., LTD.** (KR)

OTHER PUBLICATIONS

LG Debuts New Home Appliances with Latest Smart Features, Core Technologies at CES 2011, Announced Jan. 5, 2011, [ Site Visited Feb. 25, 2015] [http://www.lgnewsroom.com/ces2011/view.php?product\\_code=3&product\\_type=3&post\\_index=102.\\*](http://www.lgnewsroom.com/ces2011/view.php?product_code=3&product_type=3&post_index=102.*)

(\*\*) Term: **14 Years**

(Continued)

(21) Appl. No.: **29/469,312**

*Primary Examiner* — Eric Goodman

(22) Filed: **Oct. 9, 2013**

*Assistant Examiner* — Luqman McNeil

(30) **Foreign Application Priority Data**

(74) *Attorney, Agent, or Firm* — Cantor Colburn LLP

Apr. 11, 2013 (KR) ..... 30-2013-0018902

(51) **LOC (10) Cl.** ..... **15-05**

(52) **U.S. Cl.**  
USPC ..... **D32/6**

(58) **Field of Classification Search**  
USPC ..... D12/163; D32/6, 28, 5, 8, 10, 1; 68/3 R,  
68/5 R, 12, 12.08; 34/87-88, 524, 534;  
312/31

See application file for complete search history.

(57) **CLAIM**

We claim the ornamental design for a washing machine, as shown and described.

(56) **References Cited**

**DESCRIPTION**

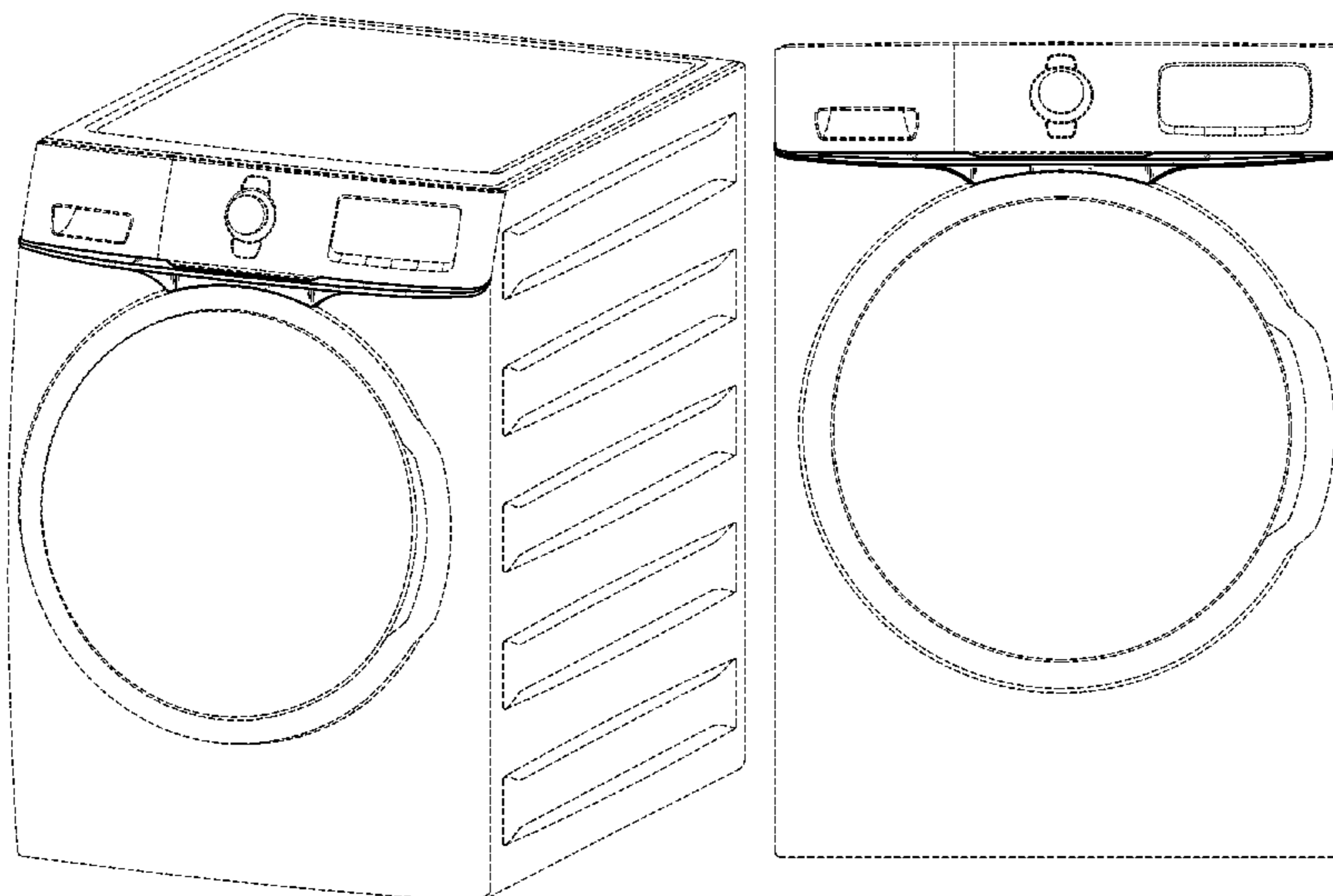
U.S. PATENT DOCUMENTS

D473,496 S \* 4/2003 Tanabe et al. .... D12/163  
D533,118 S \* 12/2006 Toyooka et al. .... D12/163  
D544,658 S \* 6/2007 Kim et al. .... D32/6  
D561,957 S \* 2/2008 Browne et al. .... D32/6  
D568,217 S \* 5/2008 Tomatsu et al. .... D12/163  
D572,419 S \* 7/2008 Park et al. .... D32/6  
D576,362 S \* 9/2008 Park et al. .... D32/6  
D577,162 S \* 9/2008 Shail et al. .... D32/6

FIG. 1 is a perspective view of a washing machine showing our new design;  
FIG. 2 is a front elevation view thereof;  
FIG. 3 is a rear elevation view thereof;  
FIG. 4 is a side elevation view thereof;  
FIG. 5 is a another side elevation view thereof;  
FIG. 6 is a top plan view thereof;  
FIG. 7 is a bottom plan view thereof; and,  
FIG. 8 is a partial and enlarged perspective view showing a part thereof.

The broken lines illustrating portions of the washing machine are for environmental purposes only and form no part of the claimed design.

**1 Claim, 8 Drawing Sheets**



(56)

**References Cited**

U.S. PATENT DOCUMENTS

D588,757 S \* 3/2009 Park et al. .... D32/6  
D589,215 S \* 3/2009 Cho et al. .... D32/6  
D618,864 S \* 6/2010 Jeon et al. .... D32/6  
D631,624 S \* 1/2011 Chung et al. .... D32/6  
D635,727 S \* 4/2011 Jeon et al. .... D32/6  
D717,217 S \* 11/2014 Murakawa ..... D12/163

OTHER PUBLICATIONS

Asko UltraCare Line Series Classic W6424T, Announced Feb. 1, 2001, [ Site Visited Feb. 25, 2015] <http://www.ajmadison.com/cgi-bin/ajmadison/W6424T.html>.  
Korean Office Action for Application No. 30-2013-0018902 dated Jan. 29, 2014.

\* cited by examiner

FIG. 1

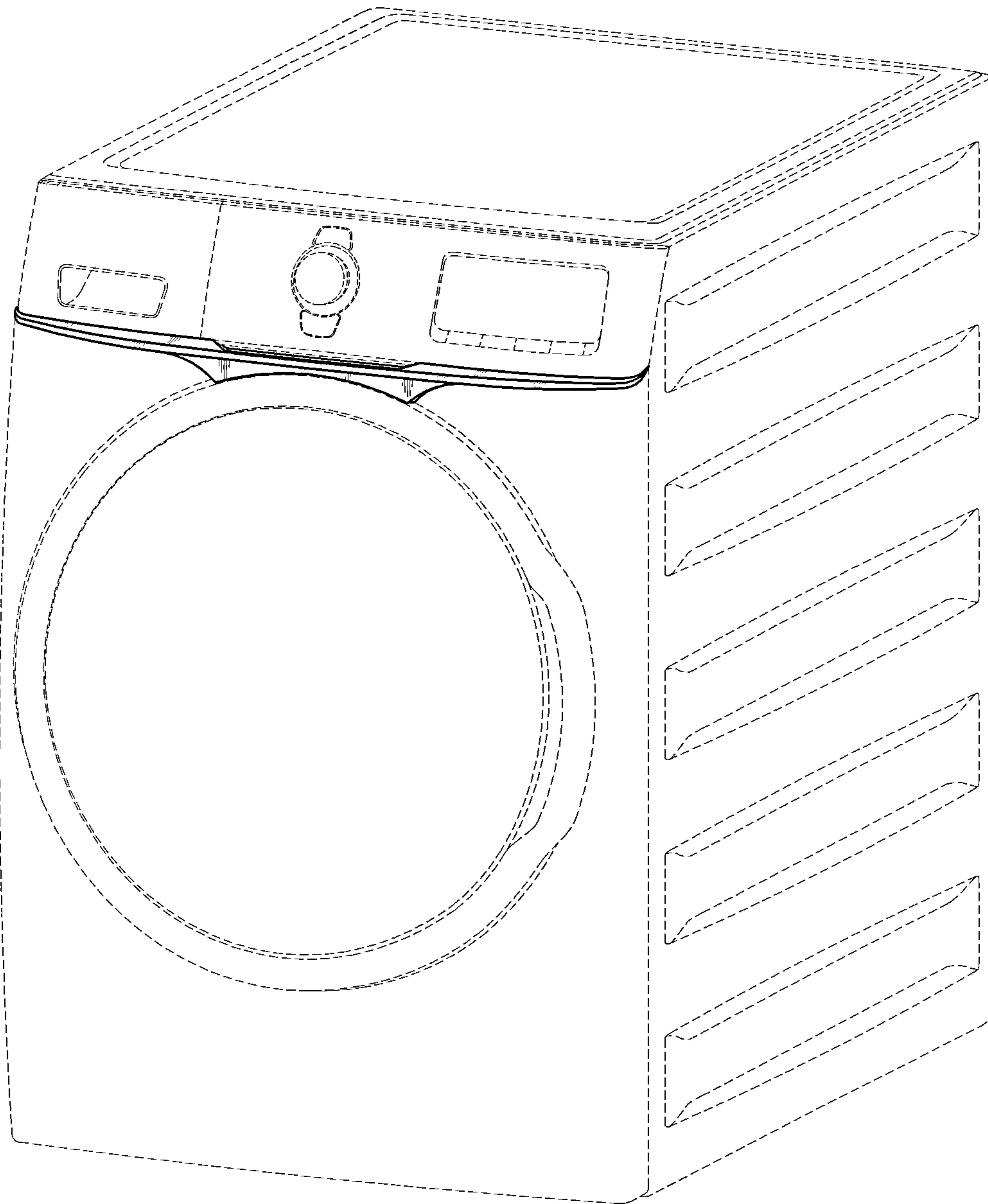
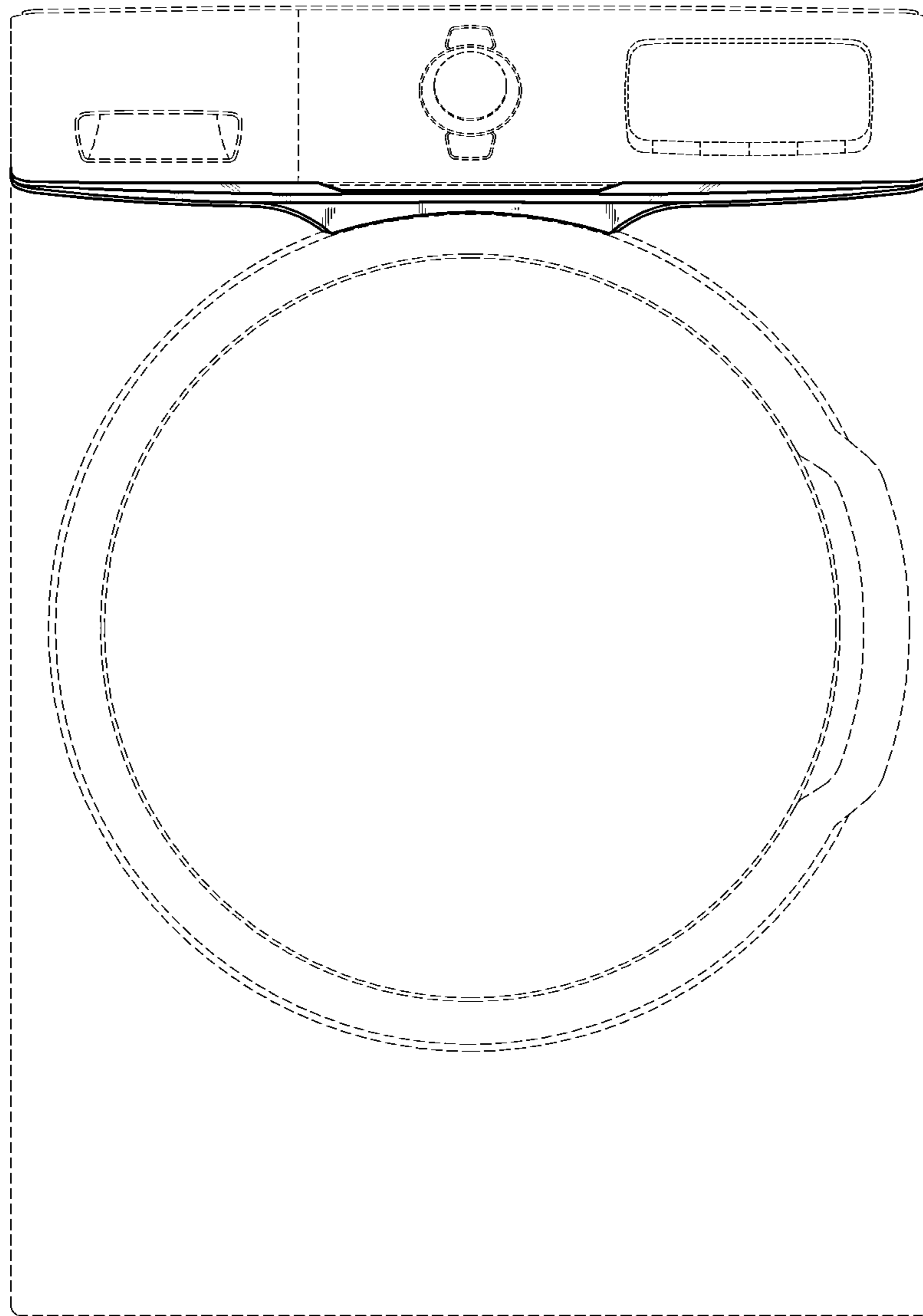


FIG. 2



# FIG. 3



FIG. 4

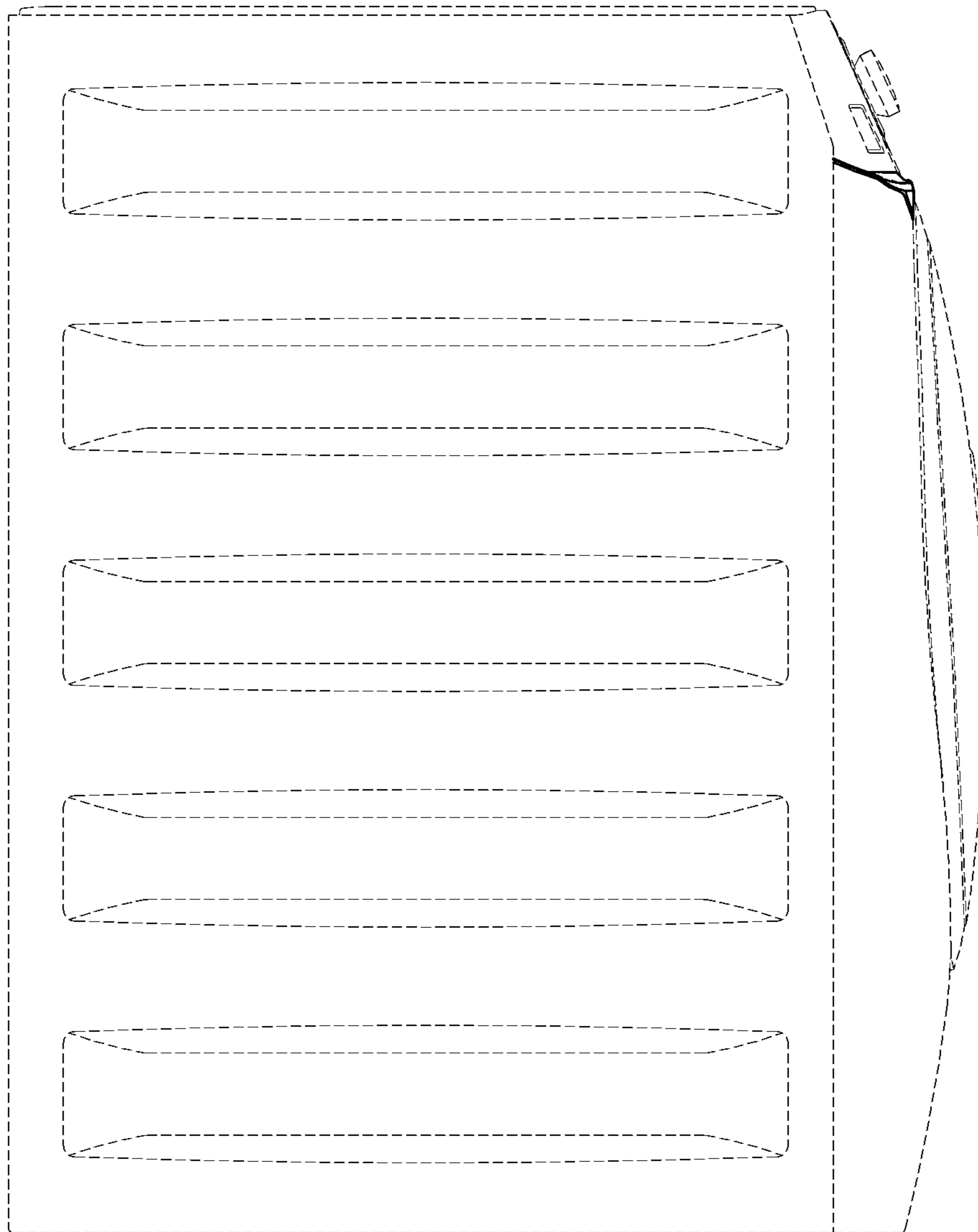


FIG. 5

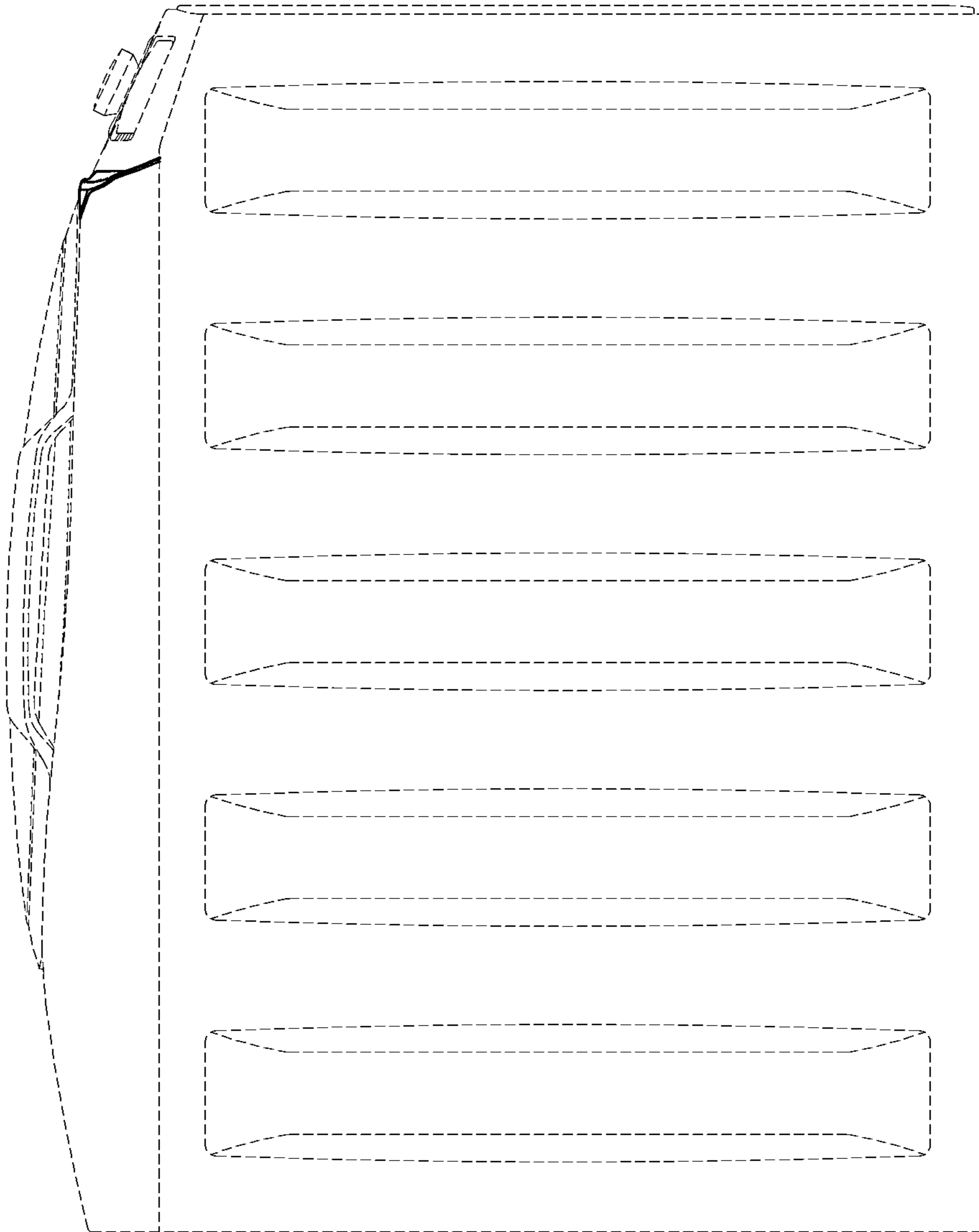


FIG. 6

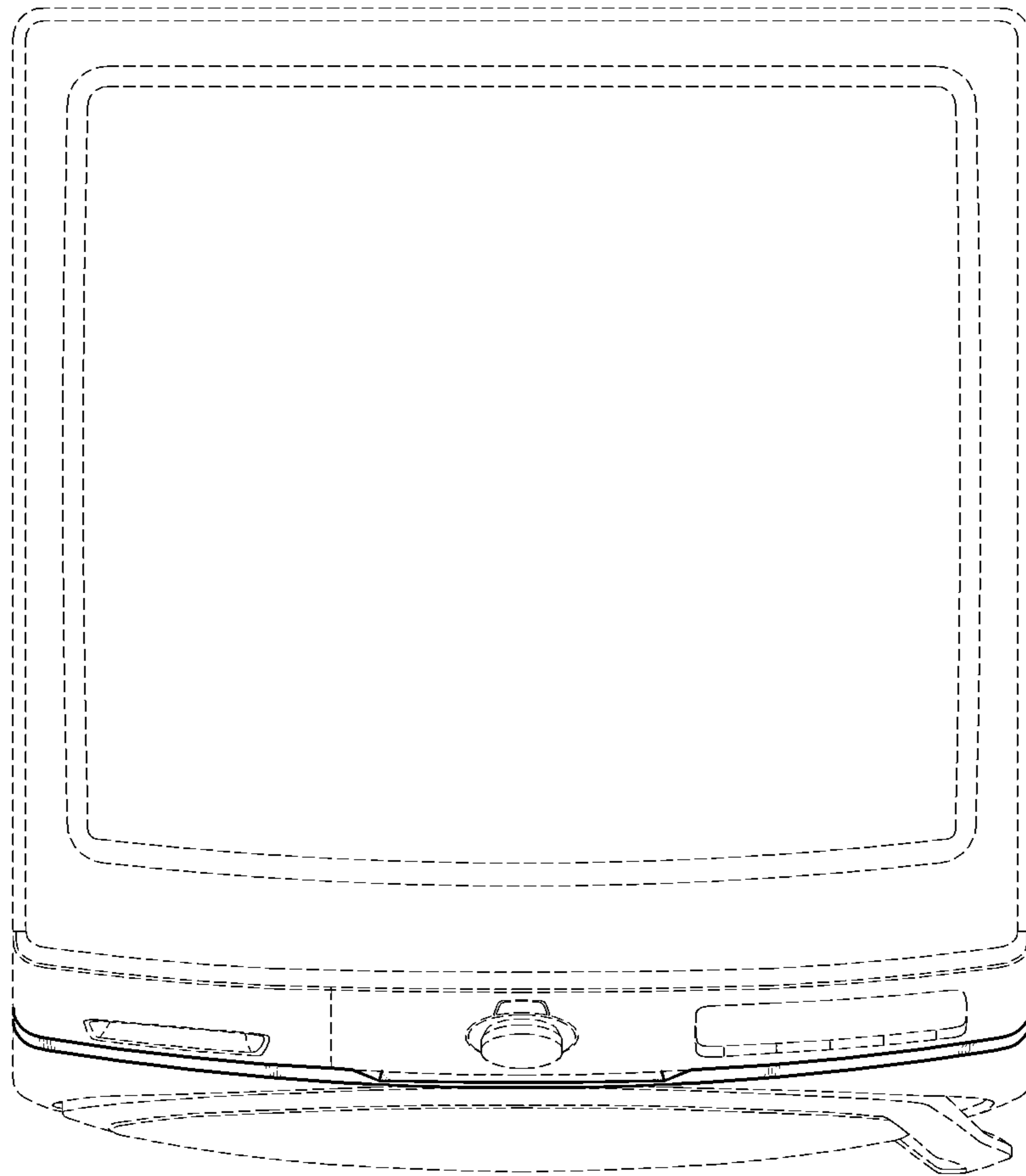




FIG. 7

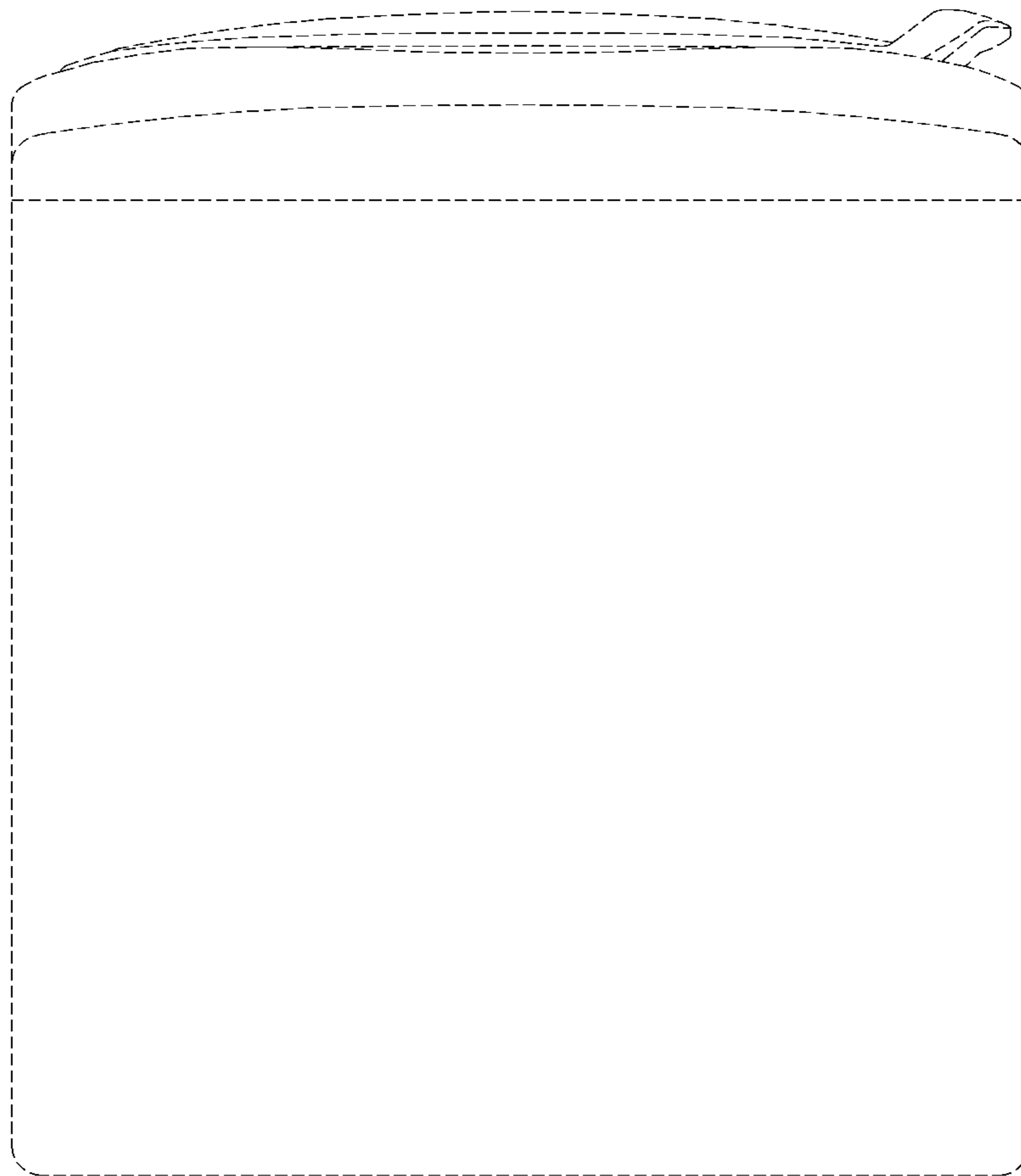


FIG. 8

