



US00D735424S

(12) **United States Design Patent**  
**Ha et al.**

(10) **Patent No.:** **US D735,424 S**  
(45) **Date of Patent:** **\*\* Jul. 28, 2015**

(54) **WASHING MACHINE**

(71) Applicant: **LG Electronics Inc.**, Seoul (KR)

(72) Inventors: **Youngsoo Ha**, Seoul (KR); **Jonghee Han**, Gyeonggi-do (KR); **Jeaseok Seong**, Gyeonggi-do (KR); **On Kim**, Seoul (KR); **Hyerim An**, Seoul (KR); **Kyungah Lee**, Gyeonggi-do (KR)

(73) Assignee: **LG Electronics Inc.**, Seoul (KR)

(\*\*) Term: **14 Years**

(21) Appl. No.: **29/462,879**

(22) Filed: **Aug. 9, 2013**

(30) **Foreign Application Priority Data**

Apr. 18, 2013 (KR) ..... 30-2013-0020383

(51) **LOC (10) Cl.** ..... **15-05**

(52) **U.S. Cl.**  
USPC ..... **D32/6**

(58) **Field of Classification Search**  
USPC ..... D32/6, 25, 1, 5, 8; 34/58, 108,  
34/130-131, 523, 595-597, 603; 68/3 R, 4,  
68/5 R, 12, 12.08, 212  
See application file for complete search history.

(56) **References Cited**

**U.S. PATENT DOCUMENTS**

D457,991 S *	5/2002	Baldwin et al.	.....	D32/6
D517,257 S *	3/2006	Kim et al.	.....	D32/6
D517,258 S *	3/2006	Ha et al.	.....	D32/6
D517,259 S *	3/2006	Ha et al.	.....	D32/6
D517,262 S *	3/2006	Ha et al.	.....	D32/25
D542,986 S *	5/2007	Crookshanks	.....	D32/6
D542,987 S *	5/2007	Crookshanks	.....	D32/6
D549,896 S *	8/2007	Suh	.....	D32/6

D549,901 S *	8/2007	Kwon et al.	.....	D32/6
D550,907 S *	9/2007	Jeon et al.	.....	D32/6
D552,807 S *	10/2007	Jeon et al.	.....	D32/6
D559,480 S *	1/2008	Kwon et al.	.....	D32/6

(Continued)

**FOREIGN PATENT DOCUMENTS**

KR 300286086.0000 \* 12/2001

**OTHER PUBLICATIONS**

Super Mom Smashes Washing Machine After Realizing Her Daughter is Inside, Announced Nov. 9, 2011, [Site Visited Feb. 25, 2015] <http://www.mommyish.com/2011/11/09/mother-washing-machine-saves-daughter-603/>.\*

(Continued)

*Primary Examiner* — Eric Goodman

*Assistant Examiner* — Luqman McNeil

(74) *Attorney, Agent, or Firm* — Morgan, Lewis & Bockius LLP

(57) **CLAIM**

The ornamental design for a washing machine, as shown and described.

**DESCRIPTION**

FIG. 1 is a perspective view of a washing machine showing our new design;

FIG. 2 is a front view thereof;

FIG. 3 is a rear view thereof;

FIG. 4 is a left side view thereof;

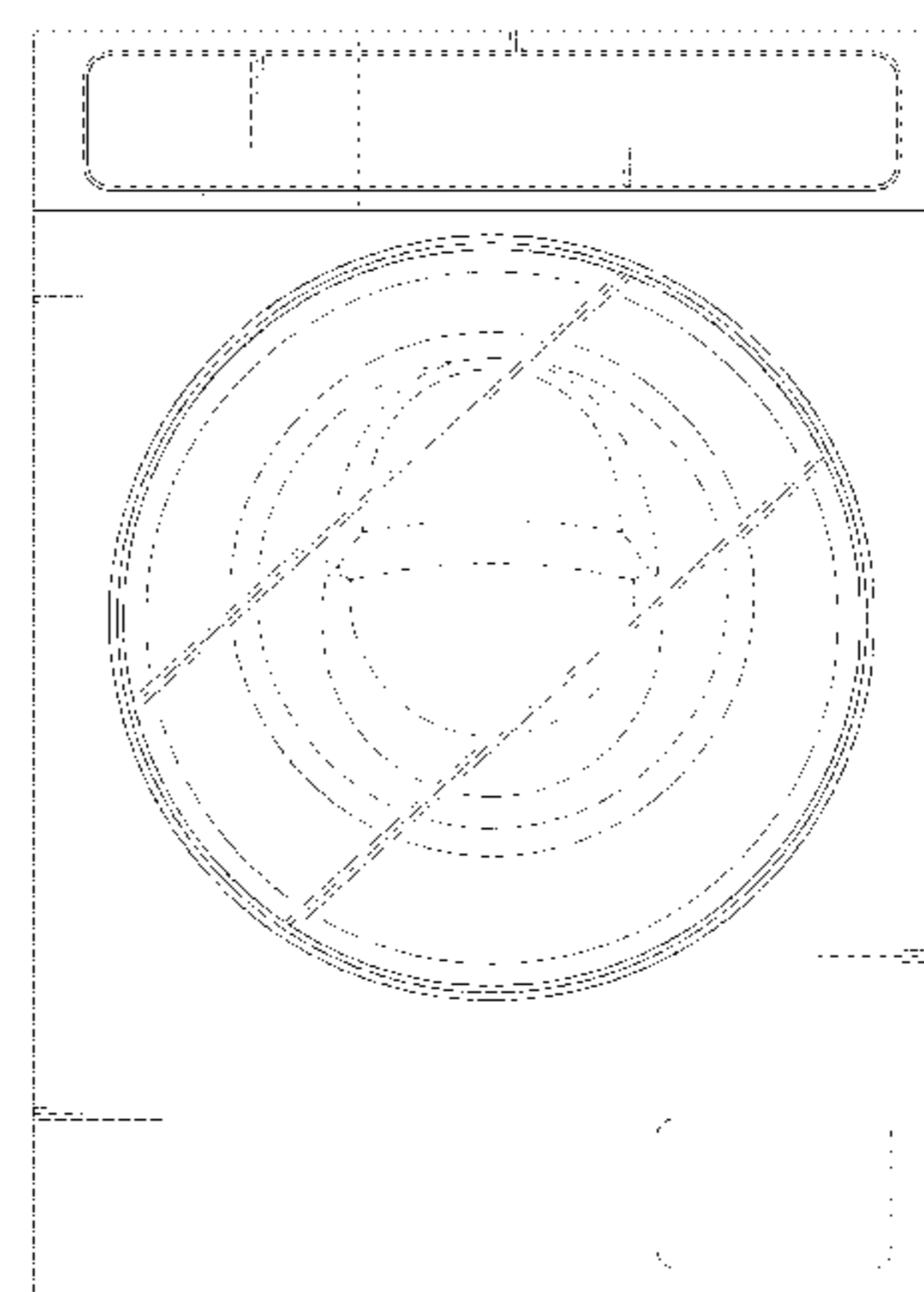
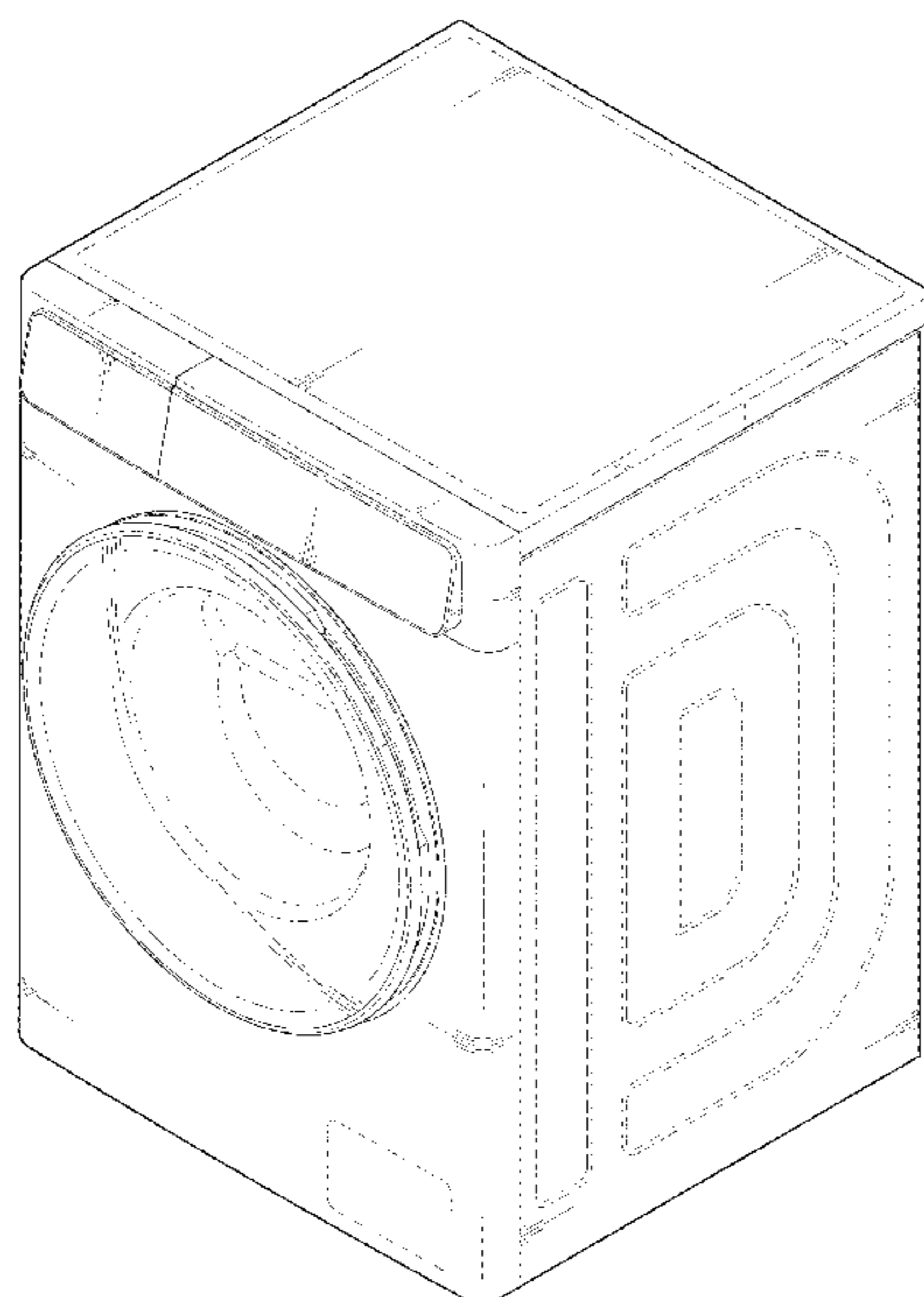
FIG. 5 is a right side view thereof;

FIG. 6 is a top plan view thereof; and,

FIG. 7 is a bottom plan view thereof.

The broken line showing is included for the purpose of illustrating portions of the washing machine and forms no part of the claimed design.

**1 Claim, 7 Drawing Sheets**



(56)

**References Cited**

U.S. PATENT DOCUMENTS

D561,957	S *	2/2008	Browne et al. ....	D32/6
D566,347	S *	4/2008	Cao et al. ....	D32/1
D572,419	S *	7/2008	Park et al. ....	D32/6
D575,913	S *	8/2008	Jeon et al. ....	D32/6
D576,362	S *	9/2008	Park et al. ....	D32/6
D577,162	S *	9/2008	Shail et al. ....	D32/6
D579,610	S *	10/2008	Jeon et al. ....	D32/6
D588,757	S *	3/2009	Park et al. ....	D32/6
D599,508	S *	9/2009	Choi et al. ....	D32/6
D627,114	S *	11/2010	Jeon et al. ....	D32/6
D631,622	S *	1/2011	Chung et al. ....	D32/6
D649,722	S *	11/2011	Chung et al. ....	D32/6
D663,908	S *	7/2012	Jeon et al. ....	D32/6

OTHER PUBLICATIONS

AEG Protex—Welded Tub ? , Announced Sep. 3, 2011, [Site Visited Feb. 25, 2015 ]<http://www.automaticwasher.org/cgi-bin/TD/TD-VIEWTHREAD.cgi?36229>.\*

Appliance Doctor NJ Washer and Dryer NJ, Announced Jul. 1, 2010, [Site Visited Feb. 25, 2015] <http://appliancerepairprincetonnj.info/washer-and-dryer-repair/>.\*

Samsung Washing Machine Price List, Announced Oct. 11, 2011, [Site Visited Feb. 25, 2015] <http://priceinfoworld.com/electronics/samsung-washing-machine-price-in-india>.\*

House Design News V-ZUG Adora SLQ Washer, Announced Jul. 20, 2011, [Site Visited Feb. 25, 2015 ][http://housedesignnewsworld.blogspot.com/2011/07/homeditcom-interior-design-architecture\\_20.html](http://housedesignnewsworld.blogspot.com/2011/07/homeditcom-interior-design-architecture_20.html).\*

\* cited by examiner

FIG. 1

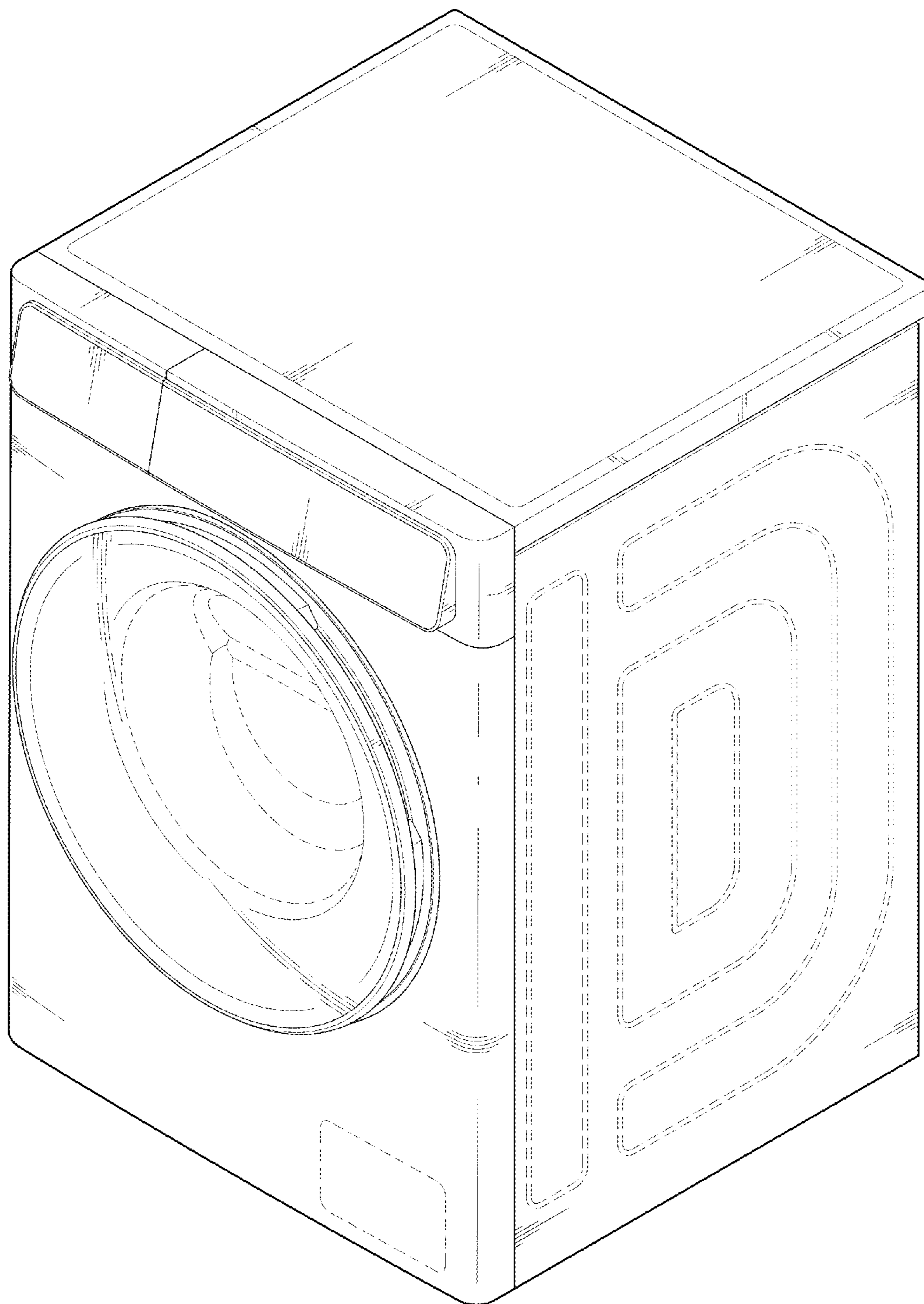


FIG. 2

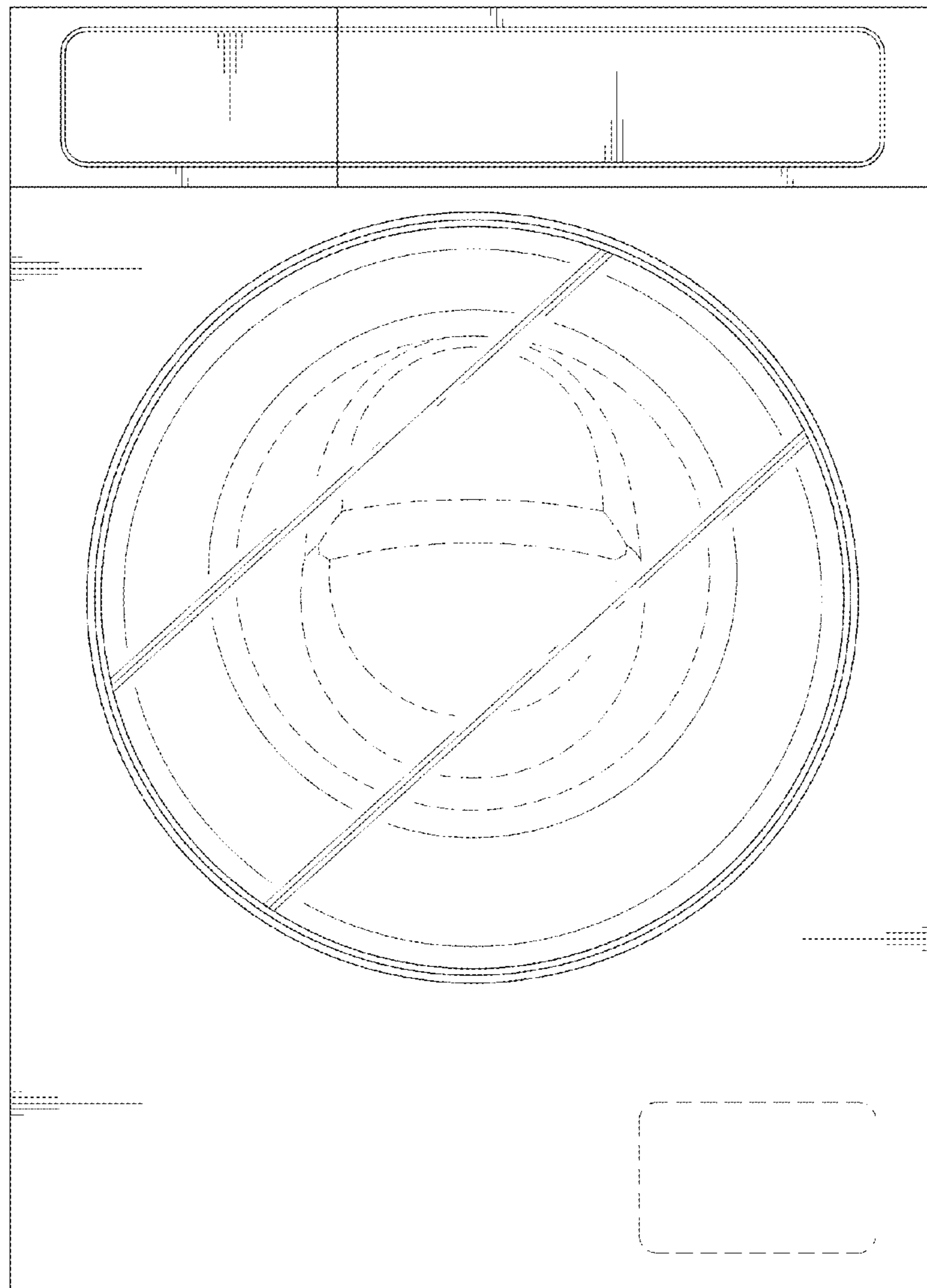


FIG. 3

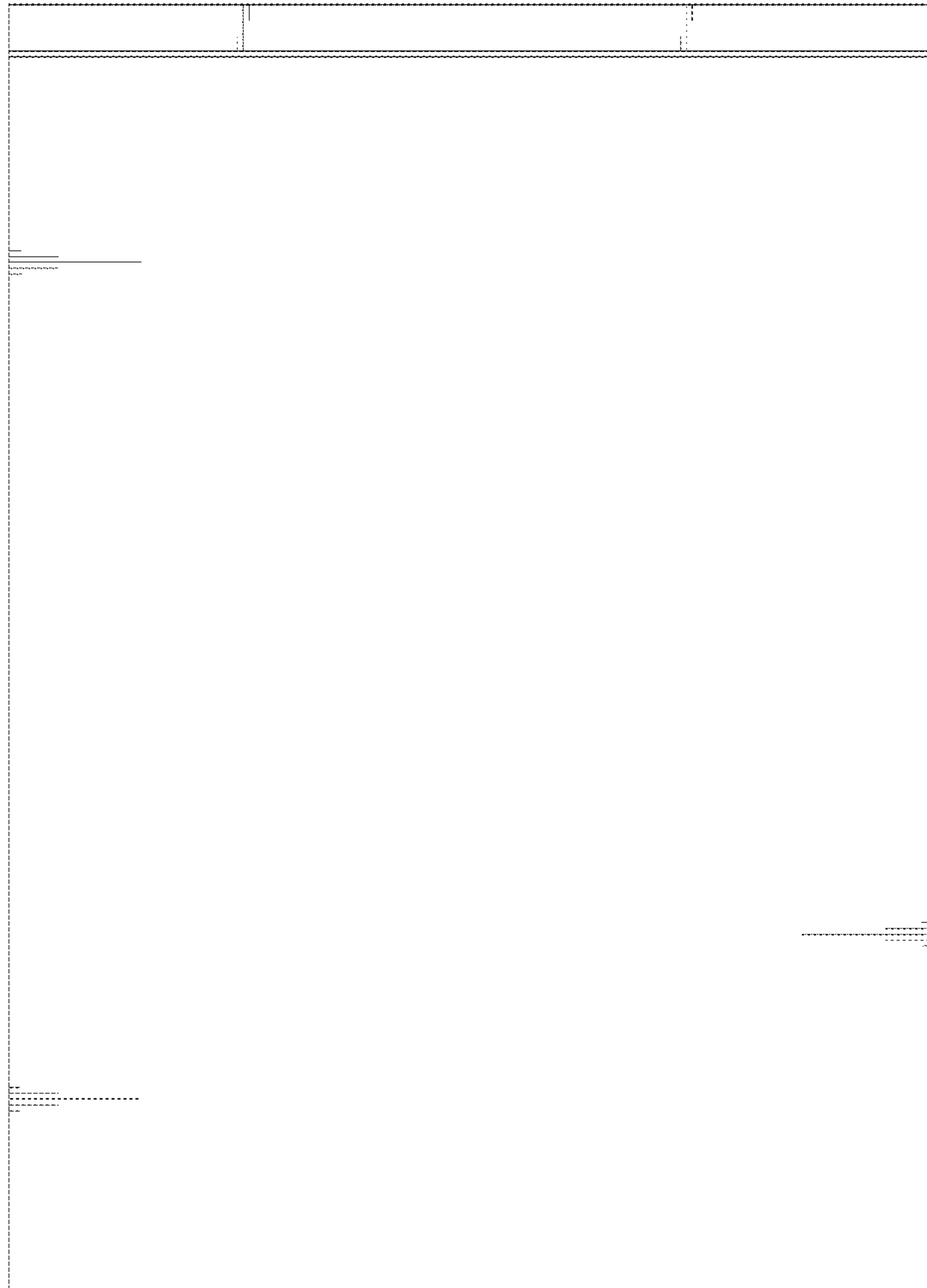


FIG. 4

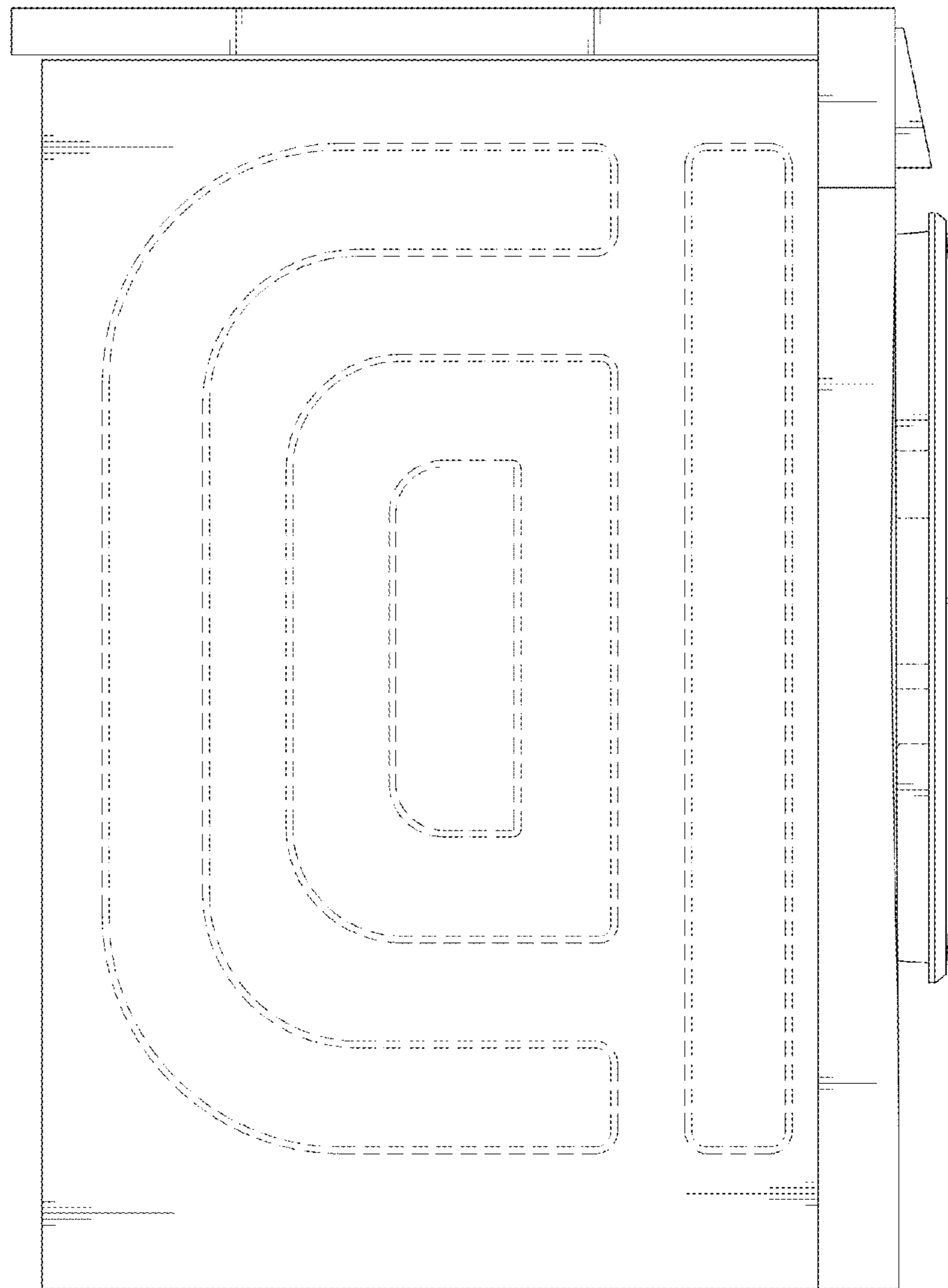


FIG. 5

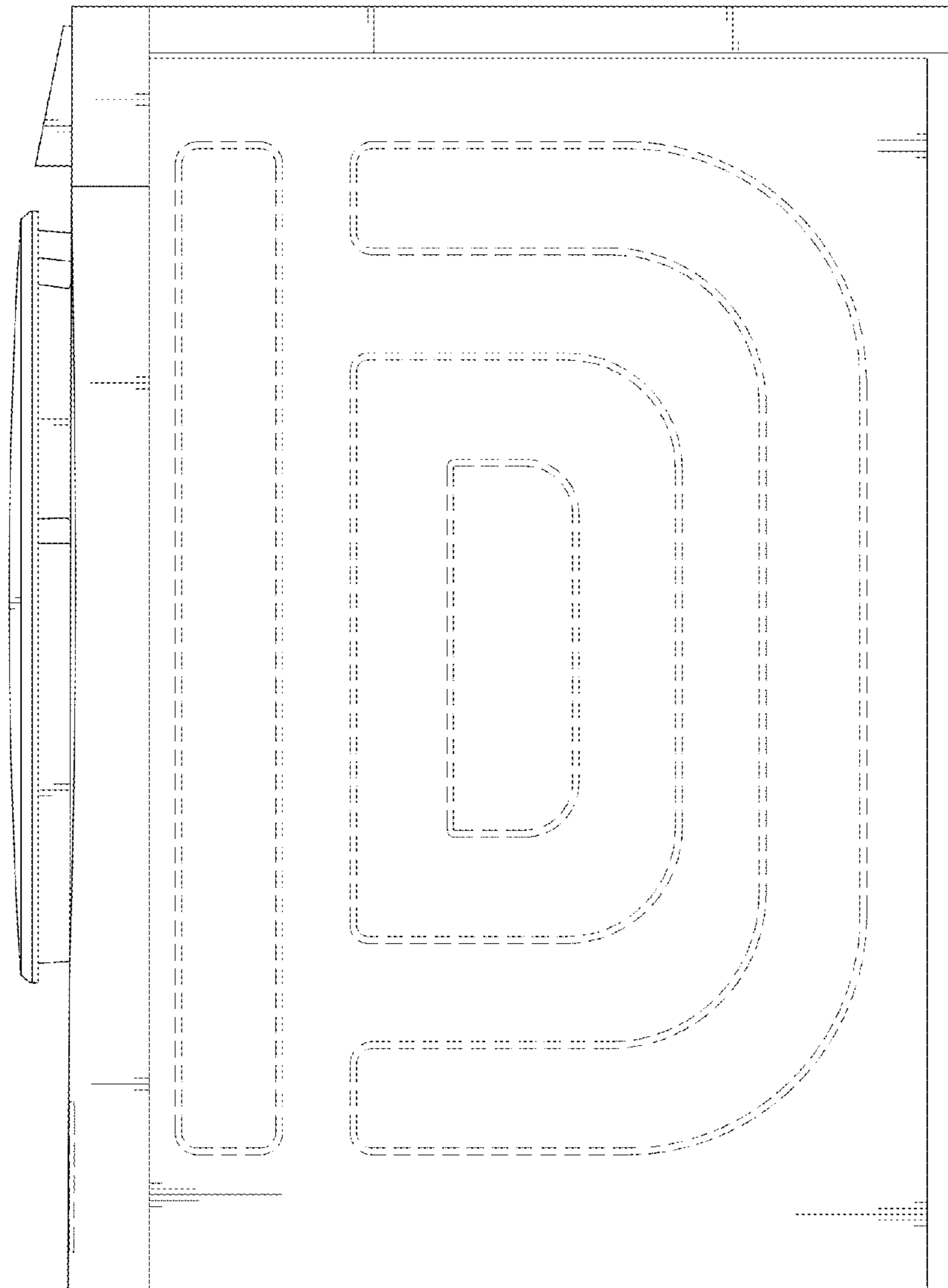


FIG. 6

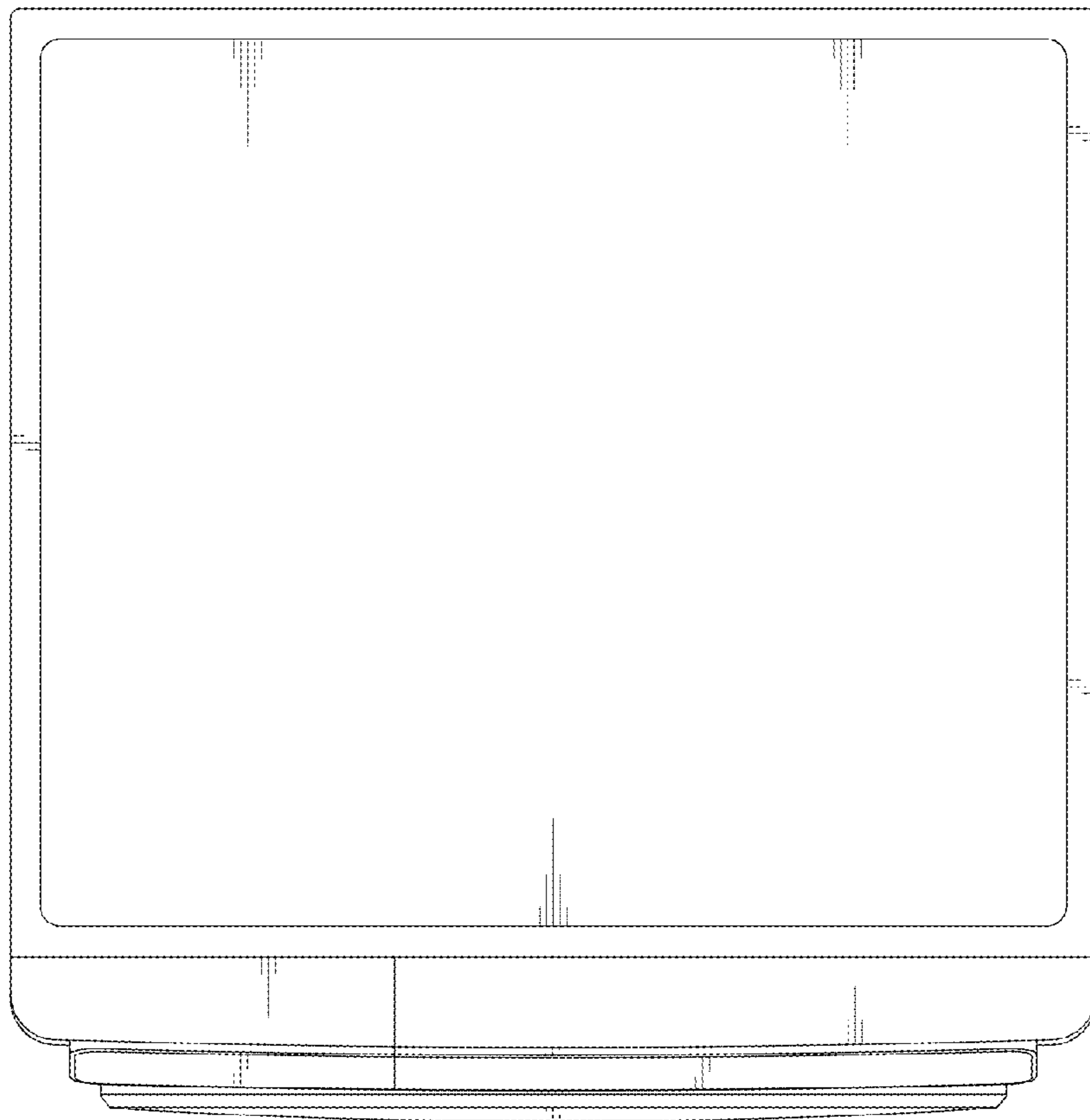




FIG. 7

