



US00D735415S

(12) **United States Design Patent**  
**Thompson**

(10) **Patent No.:** **US D735,415 S**  
(45) **Date of Patent:** **\*\* Jul. 28, 2015**

(54) **COSMETICS CONTAINER**

(71) Applicant: **International Cosmetic Suppliers Ltd.,**  
Taipei (TW)

(72) Inventor: **David Thompson,** Taipei (TW)

(73) Assignee: **INTERNATIONAL COSMETIC**  
**SUPPLIERS LTD.,** Taipei (TW)

(\*\*) Term: **14 Years**

(21) Appl. No.: **29/475,710**

(22) Filed: **Dec. 5, 2013**

(51) **LOC (10) Cl.** ..... **28-03**

(52) **U.S. Cl.**  
USPC ..... **D28/85;** D28/83; D9/529; D9/560;  
D9/432

(58) **Field of Classification Search**  
USPC ..... D28/85-90, 7, 77, 83, 76; 132/317,  
132/320, 318; 206/581, 823; 401/68, 88,  
401/98, 126-130; D9/726, 503, 504, 770,  
D9/432, 424, 529, 428, 551, 539, 561, 684,  
D9/546, 556, 559, 569, 553, 566, 519, 541,  
D9/542, 560, 438, 449, 721, 724, 733, 425,  
D9/423; D7/672, 374, 326; D3/203.1,  
D3/203.2, 203.5, 203.6, 203.7, 203.8, 2,  
D3/273, 903, 207, 211, 270, 304, 279, 901,  
D3/205, 302, 294, 271.1, 257, 245, 202,  
D3/203.3, 203.4, 212; D1/127; D23/366;  
D18/15, 16, 17; D19/108; D21/499,  
D21/500, 488, 501  
CPC ..... A45D 34/04; A45D 34/041; A45D 40/26;  
A45D 40/261; A45D 33/12; A45D 34/06  
See application file for complete search history.

(56) **References Cited**

**U.S. PATENT DOCUMENTS**

1,852,455 A 10/1930 Friedman  
2,171,112 A 8/1939 Hoffman

D214,134 S \* 5/1969 Niemoller ..... D27/152  
D238,312 S \* 12/1975 Witkoff ..... D3/302  
D246,129 S \* 10/1977 Klamer ..... D21/499  
D259,703 S \* 6/1981 Llorente ..... D9/651

(Continued)

**FOREIGN PATENT DOCUMENTS**

CA 2073730 1/1993  
CA 2041057 5/1995

(Continued)

**OTHER PUBLICATIONS**

Examination Report mailed Nov. 21, 2013; in corresponding Indian patent application No. 257301.

(Continued)

*Primary Examiner* — Marianne Pandozzi

*Assistant Examiner* — Jae Liang

(74) *Attorney, Agent, or Firm* — Novak Druce Connolly  
Bove + Quigg LLP

(57) **CLAIM**

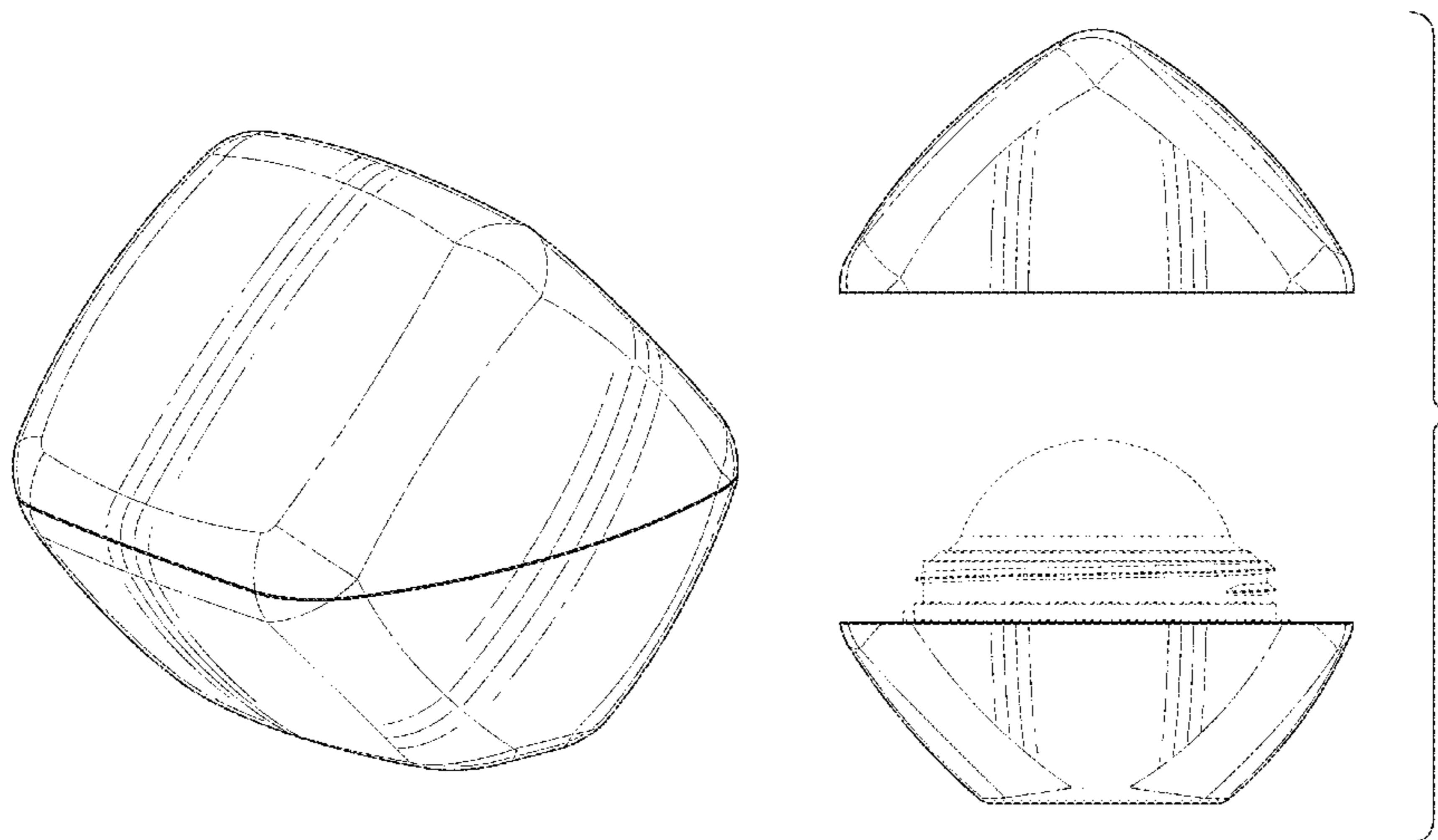
I claim the ornamental design for a cosmetics container, as shown and described.

**DESCRIPTION**

FIG. 1 is a perspective view of a cosmetics container;  
FIG. 2 is a right side elevational view thereof;  
FIG. 3 is a left side elevational view thereof;  
FIG. 4 is a front elevational view thereof;  
FIG. 5 is a rear elevational view thereof;  
FIG. 6 is a top plan view thereof;  
FIG. 7 is a bottom plan view thereof; and,  
FIG. 8 is an exploded view thereof.

The broken line showing in the figure drawings are included for the purpose of illustration and form no part of the claimed design.

**1 Claim, 5 Drawing Sheets**



(56)

References Cited

U.S. PATENT DOCUMENTS

D278,032 S \* 3/1985 de Mourgues ..... D9/561  
 D306,933 S \* 4/1990 Holewinski ..... D9/529  
 5,044,496 A 9/1991 Tanaka et al.  
 D322,757 S \* 12/1991 Payne ..... D9/425  
 5,137,185 A 8/1992 Mitchell  
 5,503,825 A 4/1996 Lane  
 5,792,496 A 8/1998 Fekete et al.  
 D401,850 S \* 12/1998 Srinaul ..... D9/423  
 5,908,037 A 6/1999 Pierson  
 5,931,169 A \* 8/1999 Kervoalen ..... 132/294  
 6,047,710 A 4/2000 Irving et al.  
 6,102,209 A 8/2000 D'Andrea  
 D430,565 S \* 9/2000 Crane et al. .... D14/308  
 6,354,308 B1 3/2002 Kuk  
 D481,636 S 11/2003 Camacho  
 D486,322 S \* 2/2004 Hansen ..... D6/470  
 6,840,694 B2 1/2005 Gueret  
 D508,847 S \* 8/2005 Au ..... D3/294  
 6,945,403 B2 9/2005 Lombardi  
 D510,700 S \* 10/2005 Au ..... D3/294  
 D529,397 S 10/2006 Lavigne et al.  
 D540,170 S 4/2007 Canamasas  
 7,234,885 B2 6/2007 Gueret  
 D555,505 S 11/2007 Brandt  
 D564,900 S 3/2008 Green et al.  
 D582,063 S 12/2008 Spangler et al.  
 D582,580 S 12/2008 Spangler et al.  
 7,631,781 B2 12/2009 Chen  
 D619,896 S 7/2010 Iwazu et al.  
 D620,368 S \* 7/2010 Pedersen ..... D9/529  
 D631,204 S 1/2011 Dubitsky et al.  
 D639,669 S \* 6/2011 Adler et al. .... D9/559  
 D640,130 S \* 6/2011 Golota et al. .... D9/425  
 8,215,485 B2 \* 7/2012 Maroofian et al. .... 206/445  
 8,286,821 B2 10/2012 Mejia  
 D676,421 S \* 2/2013 Garrett ..... D14/214  
 D676,740 S \* 2/2013 Golota et al. .... D9/420  
 8,444,337 B2 5/2013 Teller  
 D690,055 S 9/2013 Chen  
 D709,652 S \* 7/2014 Teller ..... D28/85  
 D718,275 S \* 11/2014 Shim et al. .... D14/214  
 2001/0027958 A1 10/2001 Short et al.  
 2003/0201201 A1 10/2003 Cheng  
 2006/0000742 A1 1/2006 Consulich  
 2006/0063621 A1 3/2006 Bell et al.  
 2006/0254945 A1 11/2006 Green et al.  
 2007/0017542 A1 1/2007 Petit  
 2007/0108092 A1 5/2007 Minuto et al.  
 2009/0016799 A1 1/2009 Bellas  
 2009/0101654 A1 4/2009 Brashear

2011/0011418 A1 1/2011 Gatesoupe et al.  
 2011/0024316 A1 2/2011 Ginsburg  
 2011/0253731 A1 10/2011 Smith  
 2012/0308694 A1 12/2012 Price et al.  
 2013/0105476 A1 5/2013 Hammer et al.  
 2013/0168269 A1 7/2013 Eddy  
 2013/0308993 A1 11/2013 Teller  
 2013/0322950 A1 12/2013 Teller

FOREIGN PATENT DOCUMENTS

DE	9114136	3/1993
DE	202012104020	10/2012
EP	0523943	1/1993
EP	1068817	1/2001
EP	1136015	9/2001
EP	1415568	5/2004
FR	2726442	5/1996
FR	2726443	5/1996
FR	2766339	1/1999
FR	2873549	2/2006
WO	0126501	4/2001
WO	2007072123	6/2007

OTHER PUBLICATIONS

English abstract for DE9114136; published on Mar. 18, 1993 and retrieved on Jan. 16, 2014.  
 English abstract for DE2020121404020; published Oct. 30, 2012 and retrieved on Jan. 16, 2014.  
 English abstract for FR2726442; published May 10, 1996 and retrieved on Jan. 16, 2014.  
 English abstract for FR2726443; published May 10, 1996 and retrieved on Jan. 16, 2014.  
 English abstract for FR2766339; published on Jan. 29, 1999 and retrieved on Jan. 16, 2014.  
 English abstract for FR2873549; published on Feb. 3, 2006 and retrieved on Jan. 16, 2014.  
 Examination Report mailed Nov. 21, 2013; in corresponding Indian patent application No. 257300.  
 Examination Report mailed Oct. 10, 2013; in corresponding European patent application No. 002322677.  
 Non-Final Office Action mailed Oct. 7, 2014; in U.S. Appl. No. 29/469,242.  
 Office Action mailed Sep. 22, 2014; in Japanese patent application No. JP2013-023589.  
 English translation of the Office Action mailed Sep. 22, 2014; in Japanese patent application No. JP2013-023589.

\* cited by examiner

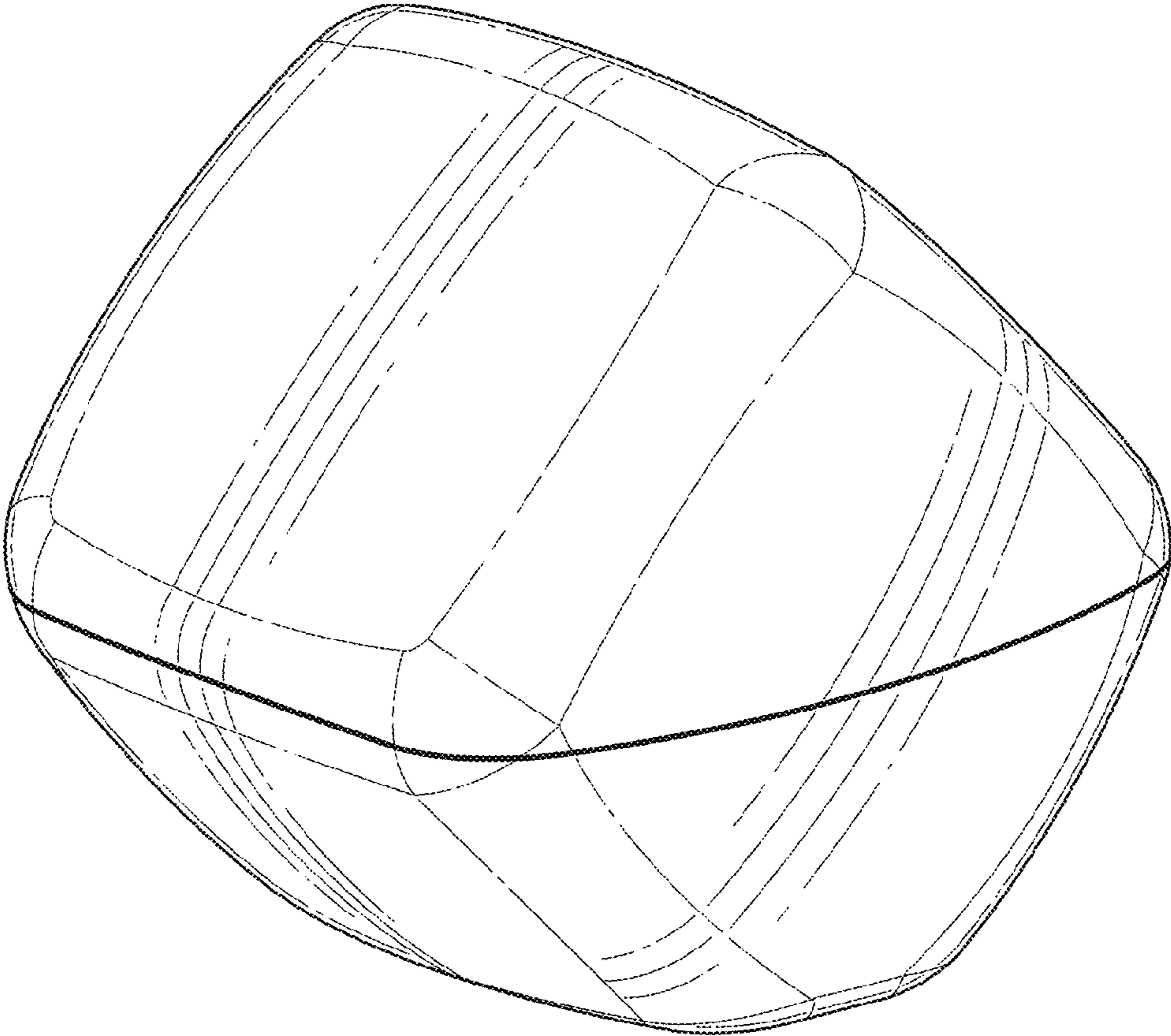


FIG. 1

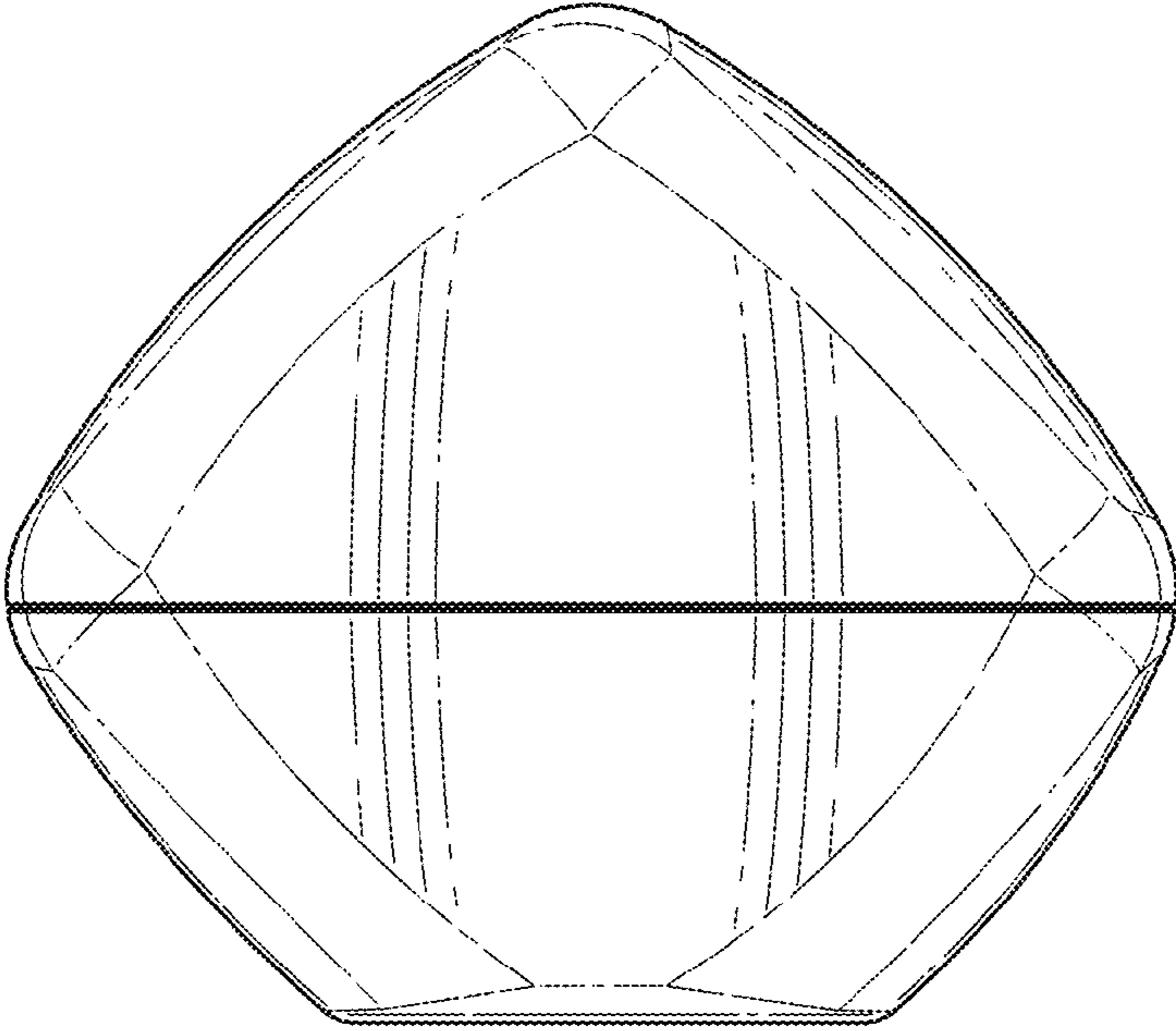


FIG. 2

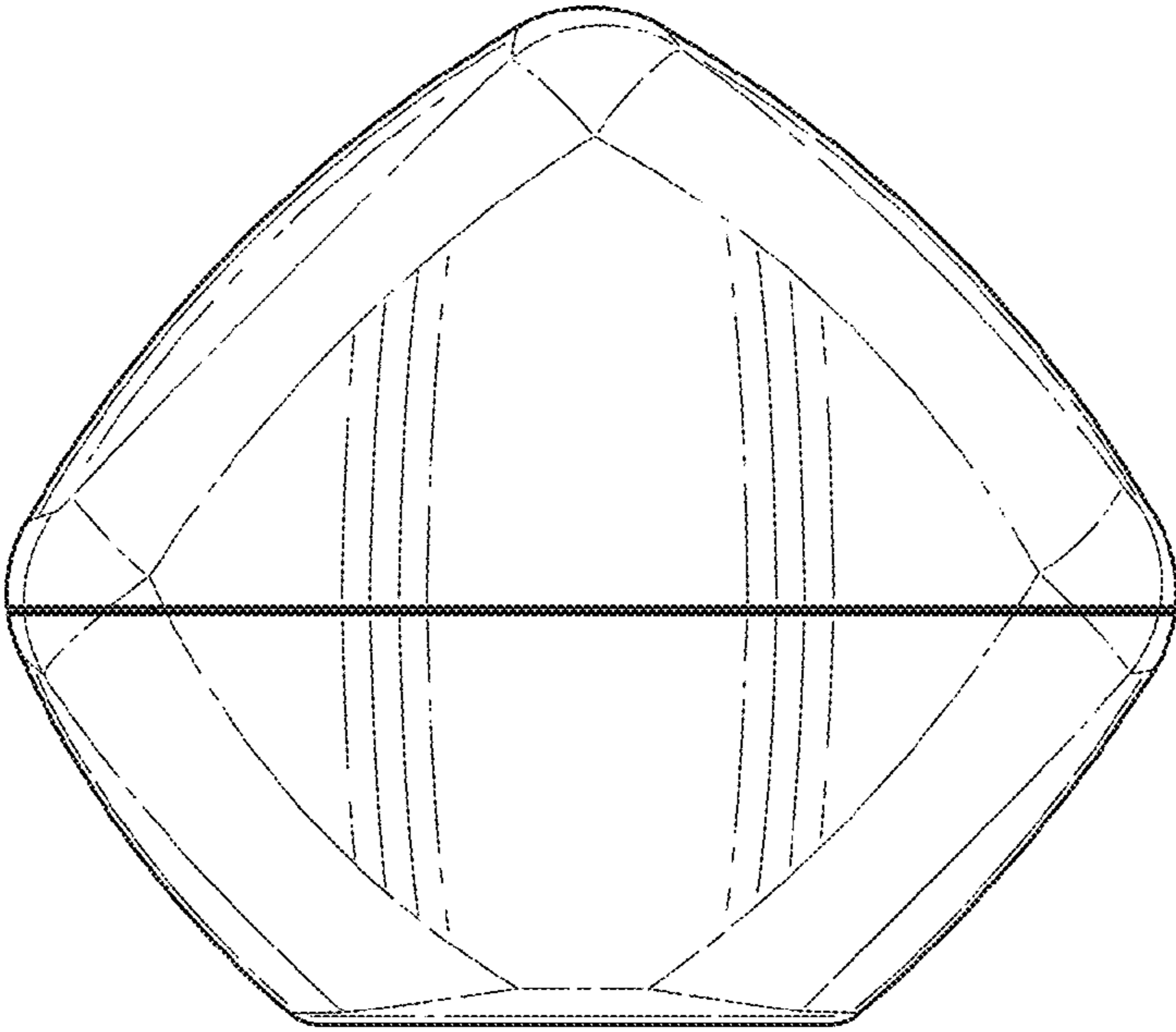


FIG. 3

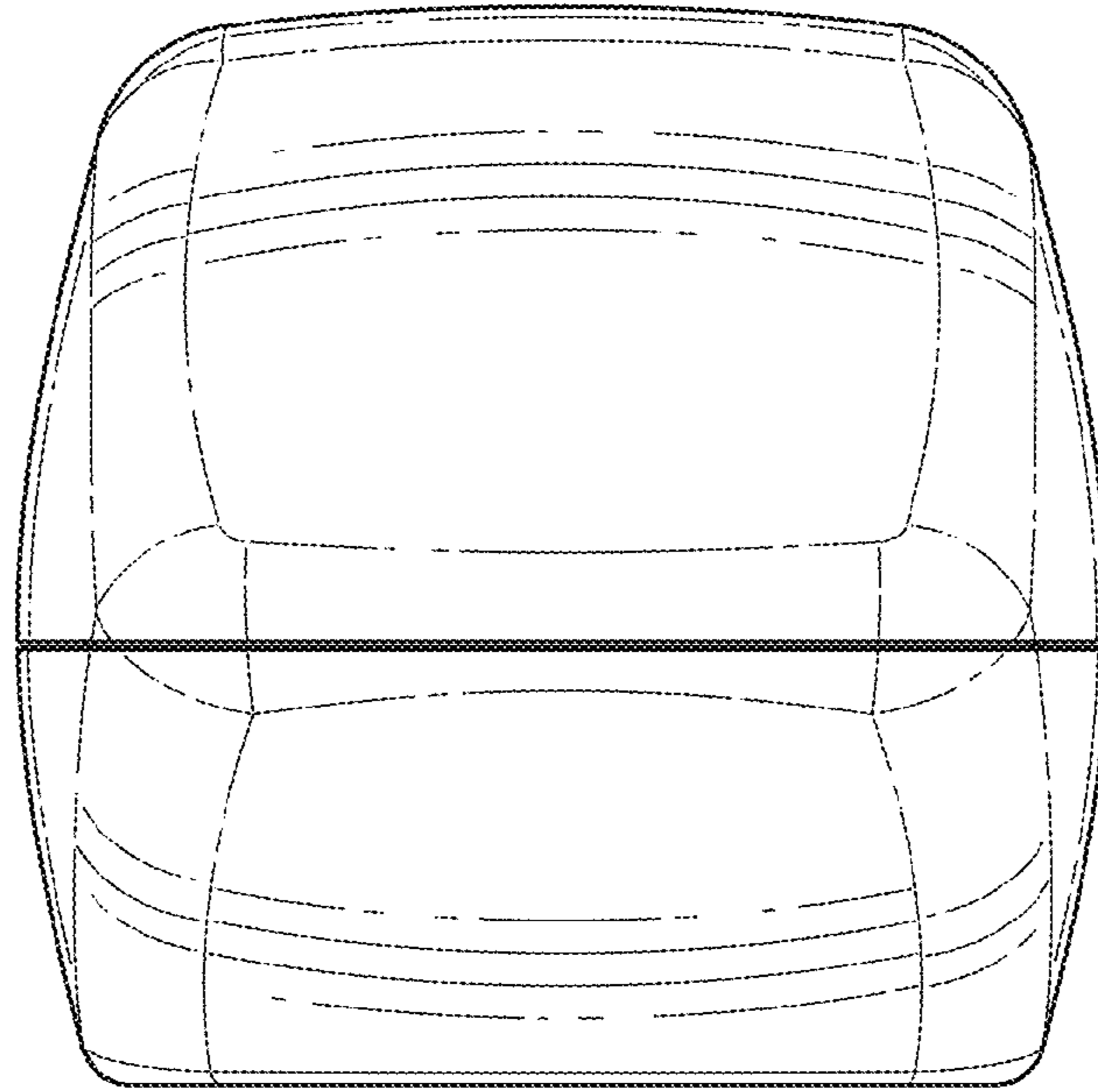


FIG. 4

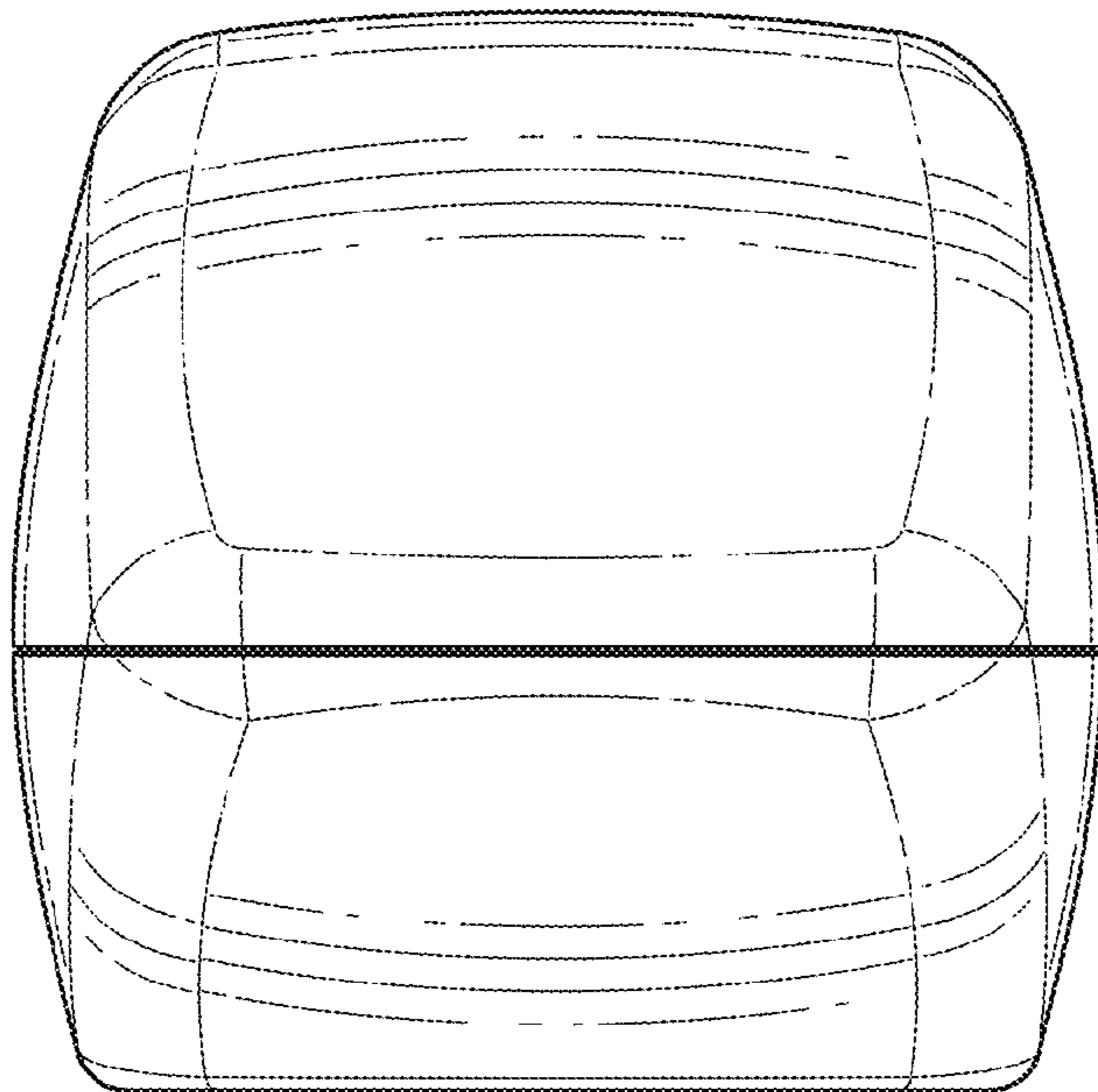


FIG. 5

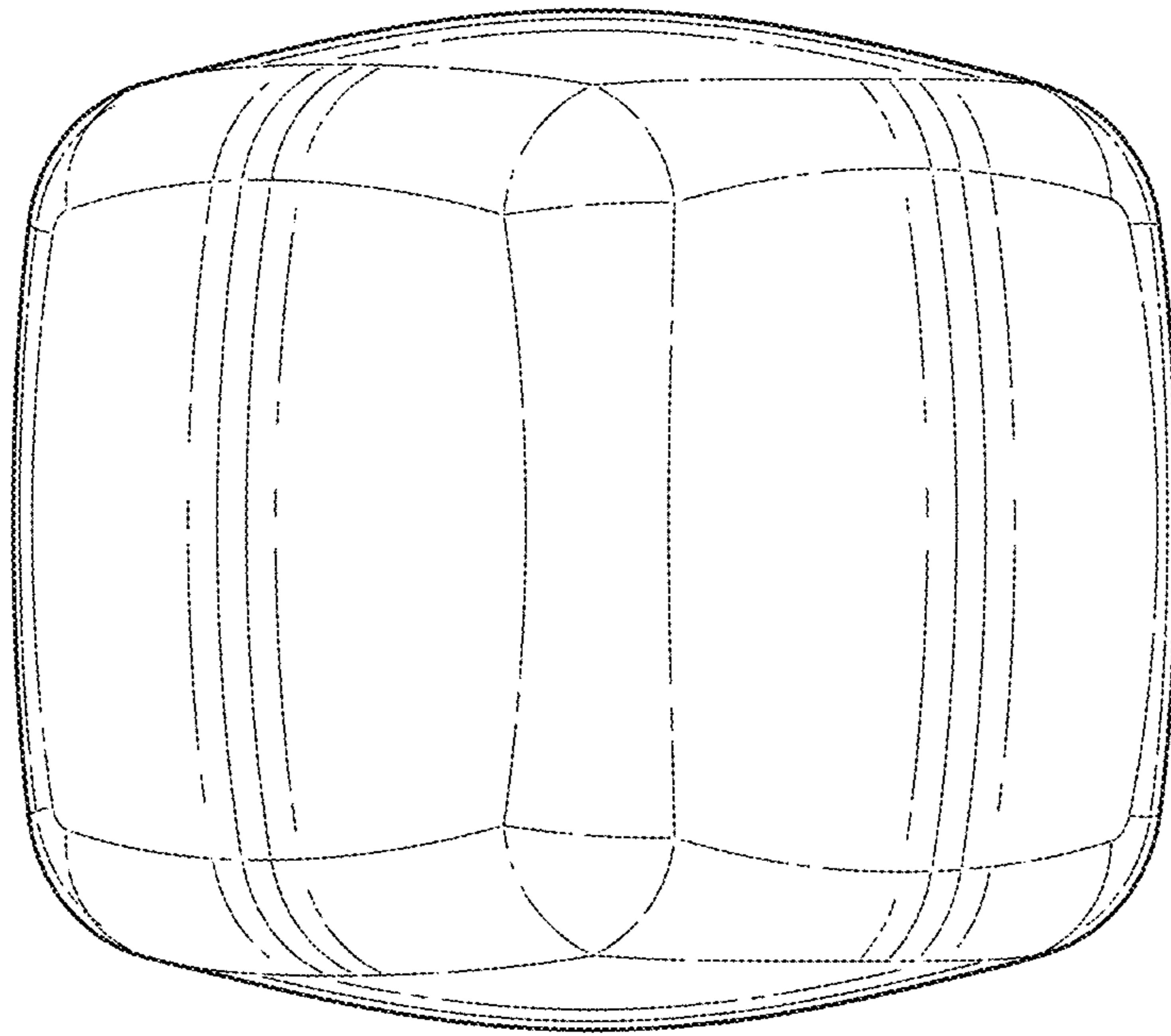


FIG. 6

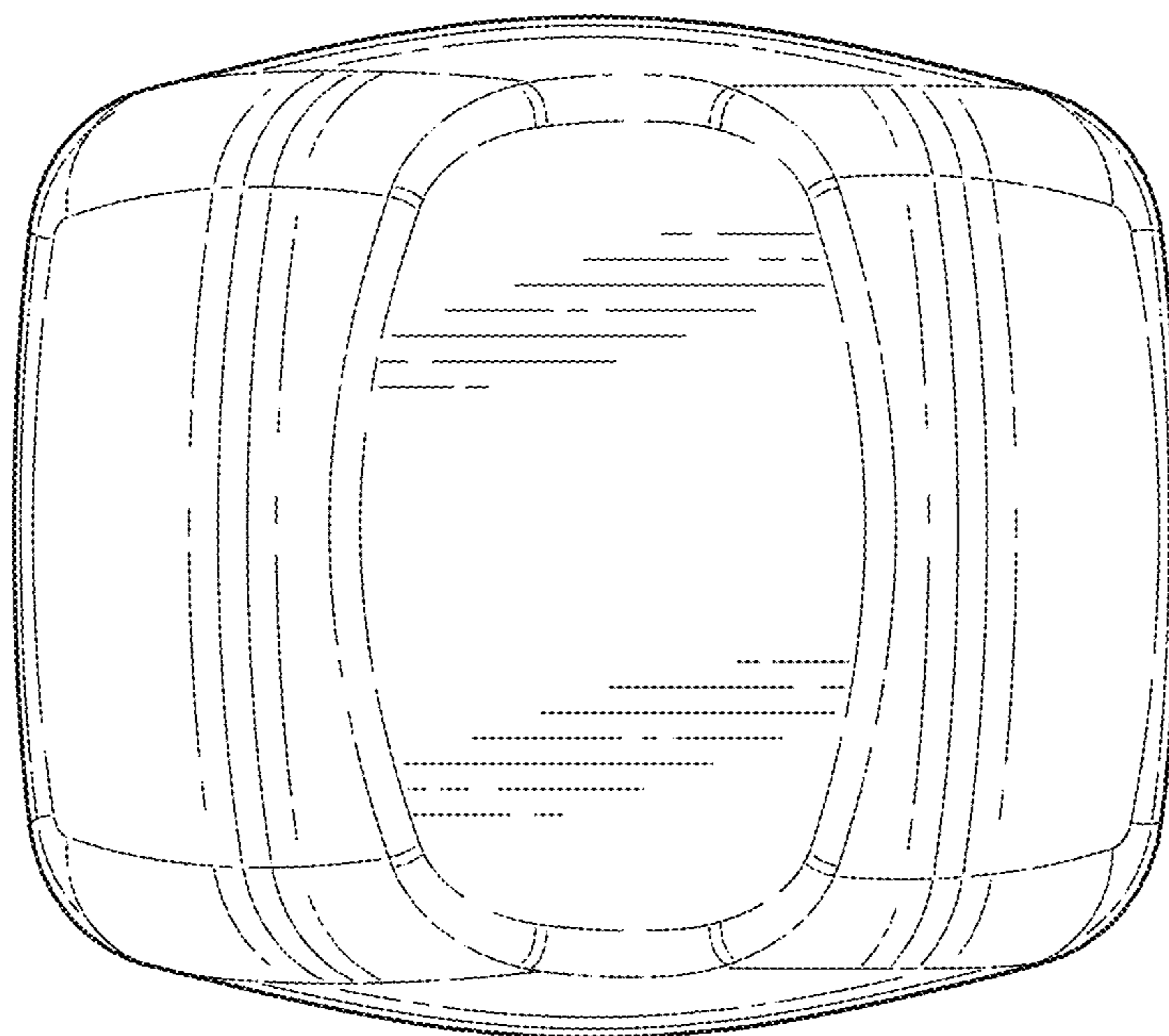


FIG. 7

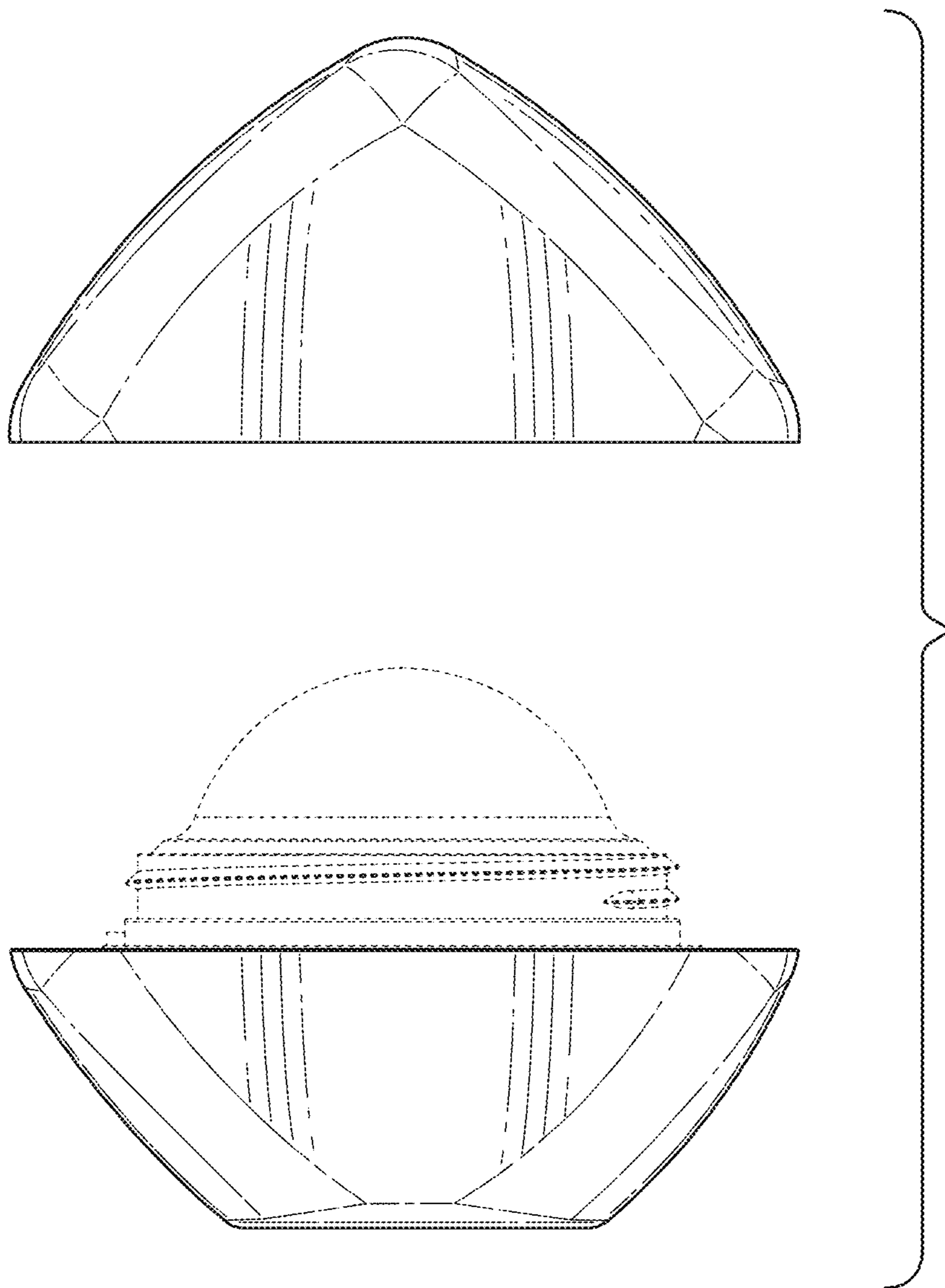


FIG. 8