



US00D735414S

(12) **United States Design Patent**
Schlatter

(10) **Patent No.:** **US D735,414 S**
(45) **Date of Patent:** **** Jul. 28, 2015**

- (54) **LIP BALM CONTAINER**
- (71) Applicant: **ORALABS, INC.**, Parker, CO (US)
- (72) Inventor: **Gary Schlatter**, Englewood, CO (US)
- (**) Term: **14 Years**
- (21) Appl. No.: **29/473,651**
- (22) Filed: **Nov. 25, 2013**
- (51) **LOC (10) Cl.** **28-03**
- (52) **U.S. Cl.**
USPC **D28/85**; D28/87; D28/88; D9/600;
D9/504; D9/519
- (58) **Field of Classification Search**
USPC D28/85-90, 7, 77, 83, 76, 6, 8.2, 79;
132/317, 320, 318; 206/581, 823;
401/68, 88, 98, 126-130; D9/726, 503,
D9/504, 770, 432, 424, 529, 428, 551, 539,
D9/561, 684, 546, 556, 559, 569, 553, 566,
D9/519, 541, 542, 651, 560, 438, 449, 721,
D9/724, 733, 425, 423, 600, 601, 502;
D7/672, 374, 326, 301, 539, 515, 516;
D3/203.1, 203.2, 203.5, 203.6, 203.7,
D3/203.8, 2, 273, 903, 207, 211, 270, 304,
D3/279, 901, 205, 302, 294, 271.1, 257,
D3/245, 202, 203.3, 203.4, 212; D1/127;
D23/366; D18/15, 16, 17; D19/108
CPC A45D 34/04; A45D 34/041; A45D 40/26;
A45D 40/261; A45D 33/12; A45D 34/06
See application file for complete search history.

- D322,558 S * 12/1991 Halm et al. D32/29.1
- D388,653 S * 1/1998 Hsu D7/303
- D396,382 S * 7/1998 Hsu D7/599
- D424,937 S * 5/2000 Tucker D9/435
- D505,317 S * 5/2005 Harwanko D8/376
- D521,868 S * 5/2006 Arima D9/502
- D530,221 S * 10/2006 Paglina D9/692

(Continued)

OTHER PUBLICATIONS

The Body Shop Honey Bronze Shimmer Lip Balm Review on May 21, 2013 by IDM Blog spot <http://ilsedaniellemartina.blogspot.com>.*

Primary Examiner — Marianne Pandozzi
Assistant Examiner — Jae Liang

(74) *Attorney, Agent, or Firm* — Welsh Flaxman & Gitler LLC

(57) **CLAIM**

The ornamental design for a lip balm container, as shown and described.

DESCRIPTION

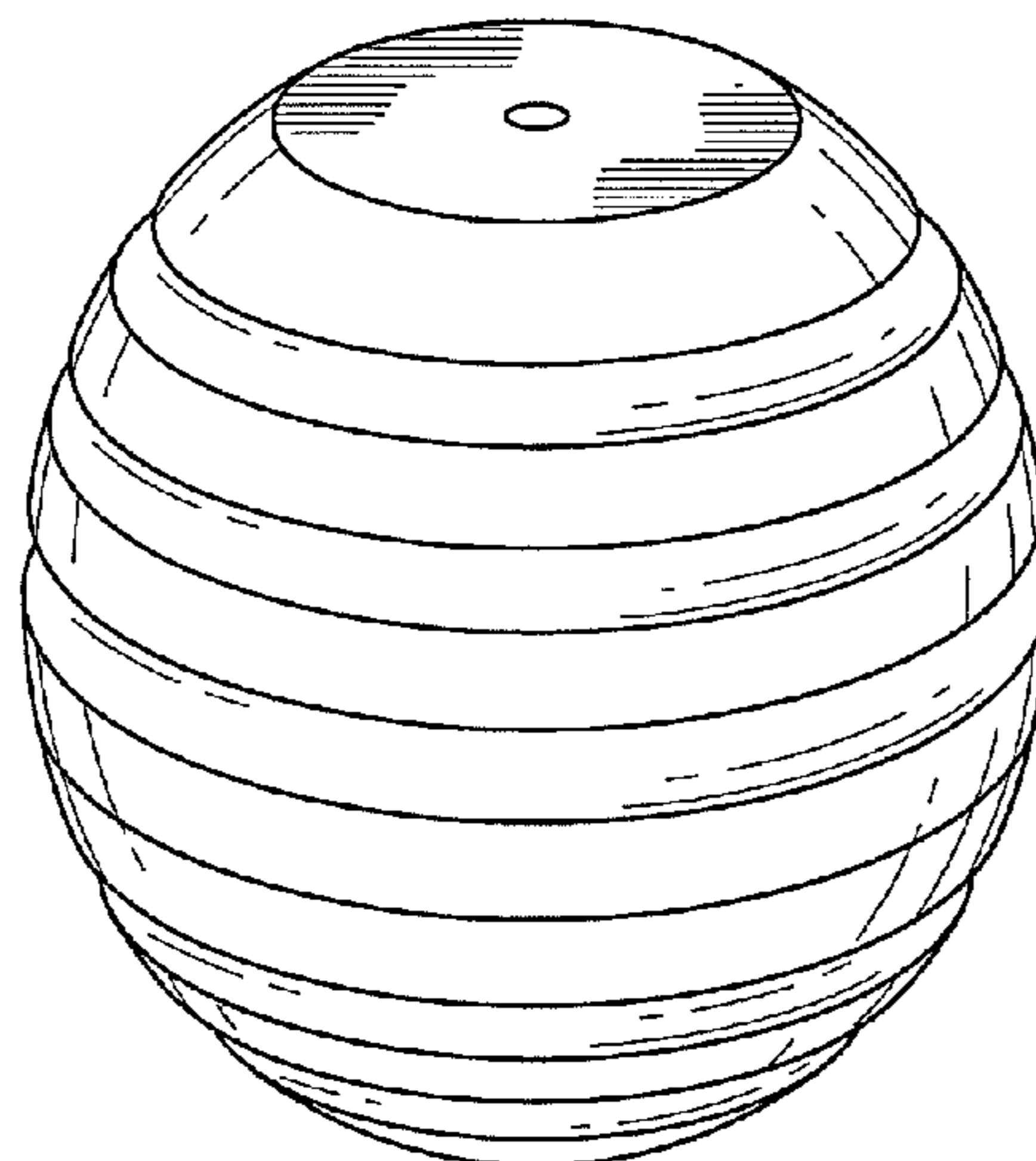
FIG. 1 is a top perspective view of a lip balm container showing my new design;
 FIG. 2 is a top view thereof;
 FIG. 3 is a bottom perspective view thereof;
 FIG. 4 is a bottom plan view thereof;
 FIG. 5 is a front view thereof;
 FIG. 6 is a rear view thereof;
 FIG. 7 is a right side view thereof;
 FIG. 8 is left side view thereof;
 FIG. 9 is a top perspective view thereof with the top cover removed for ease of illustration; and,
 FIG. 10 is a front elevational view of FIG. 9.
 The broken line showing in the figure drawings are included for the purpose of illustration and form no part of the claimed design.

1 Claim, 3 Drawing Sheets

(56) **References Cited**

U.S. PATENT DOCUMENTS

- D32,120 S * 1/1900 Estes D9/600
- D58,689 S * 8/1921 Senften D9/600
- D118,921 S * 2/1940 Vuilleminot D28/91.1
- D182,000 S * 1/1958 Reed D9/600
- D206,463 S * 12/1966 Federighi D9/502
- D280,242 S * 8/1985 Burket et al. D26/134



US D735,414 S

Page 2

(56)

References Cited

U.S. PATENT DOCUMENTS

D701,951 S *	4/2014	Gordon et al.	D23/366
D708,726 S *	7/2014	Gordon et al.	D23/356
D663,399 S *	7/2012	Browder	D23/366

* cited by examiner

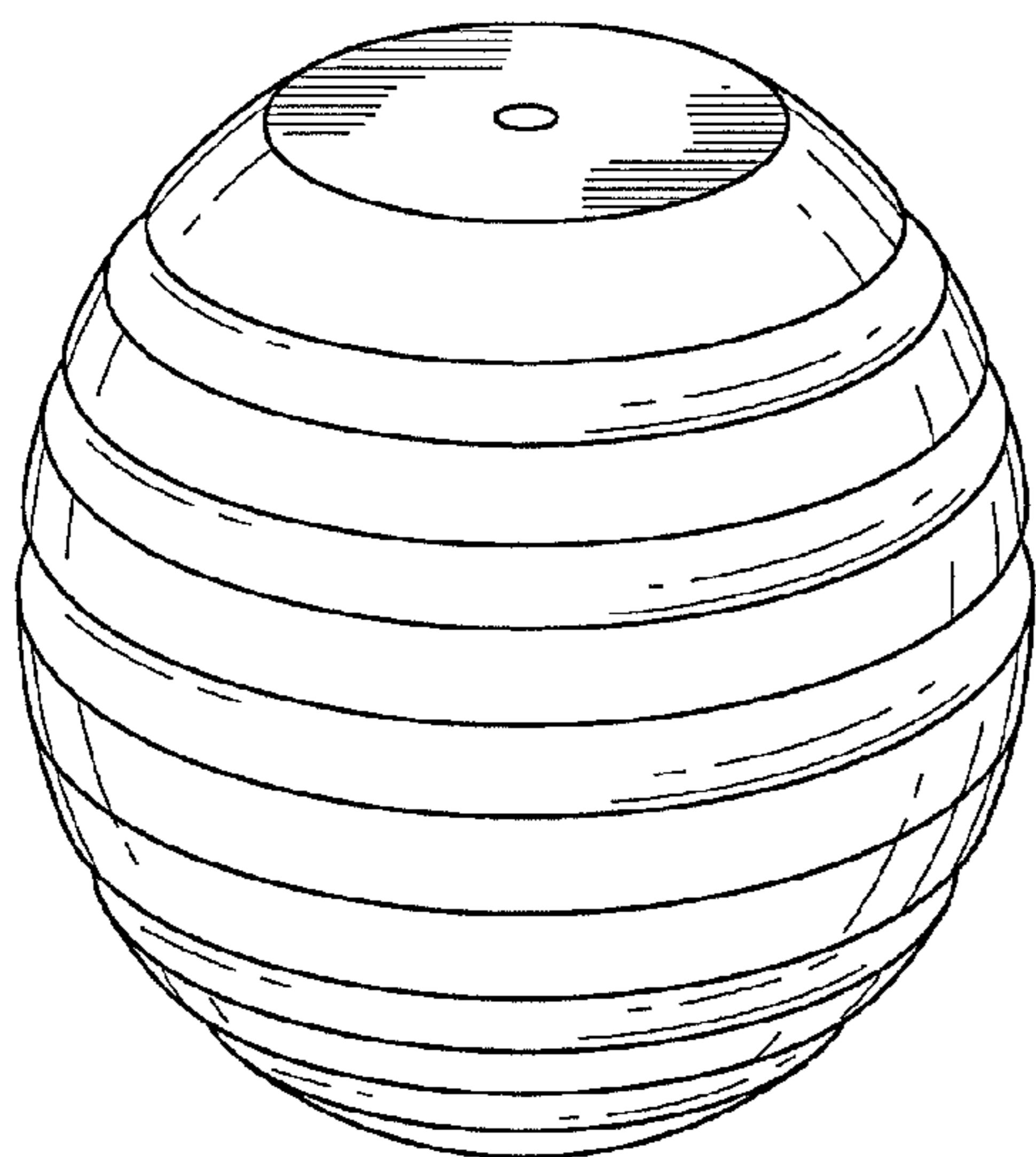


FIG. 1

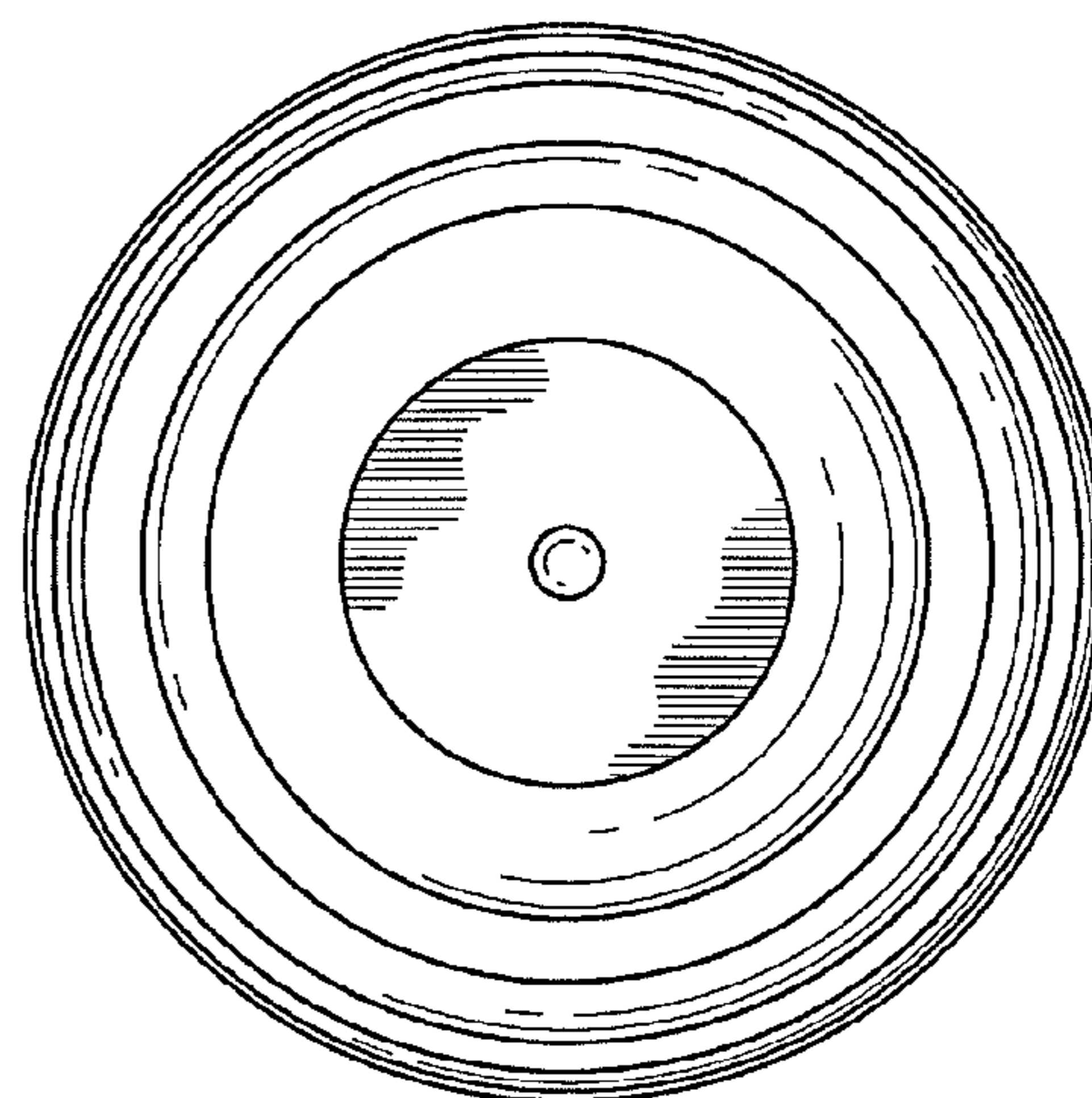


FIG. 2

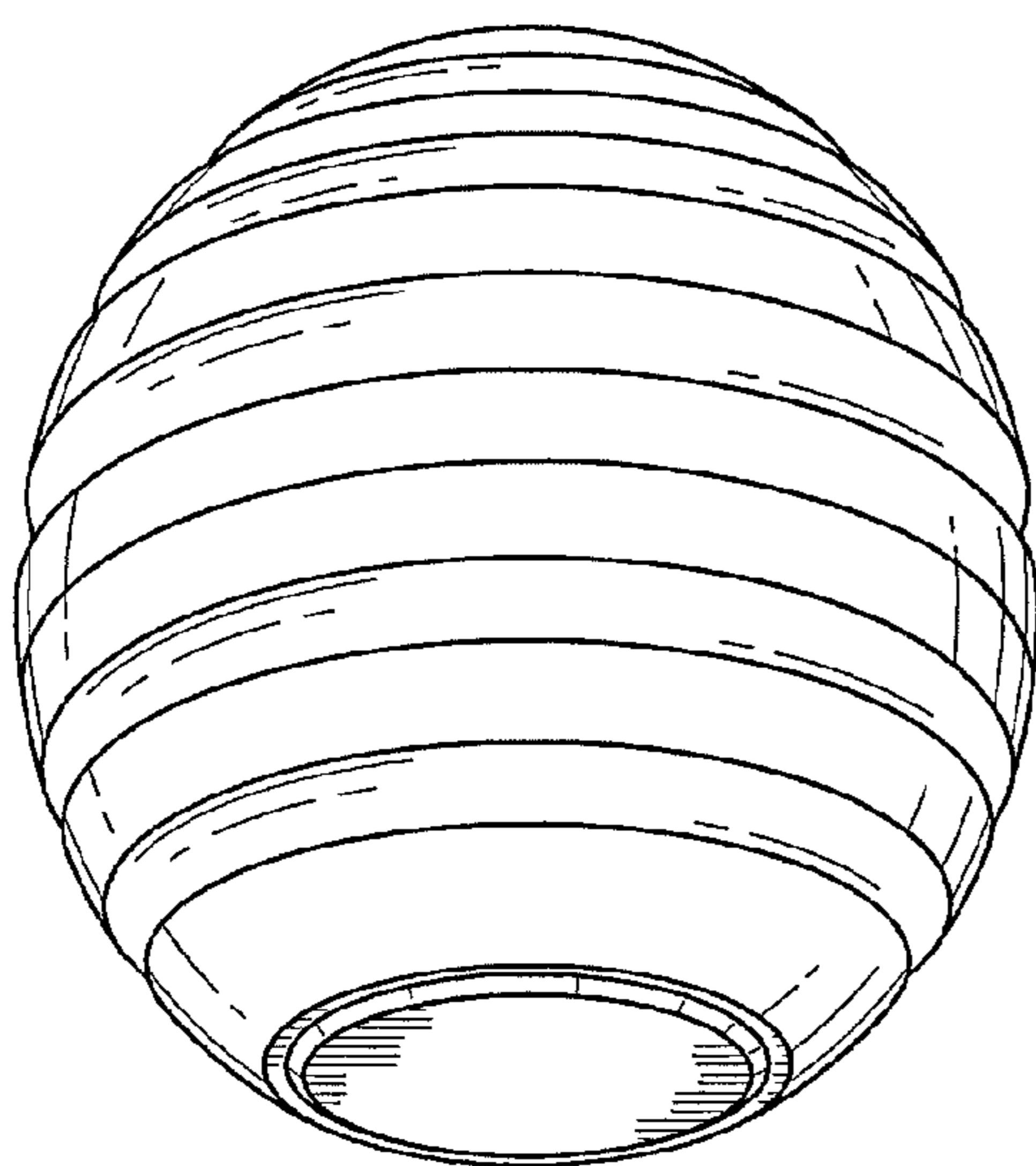


FIG. 3

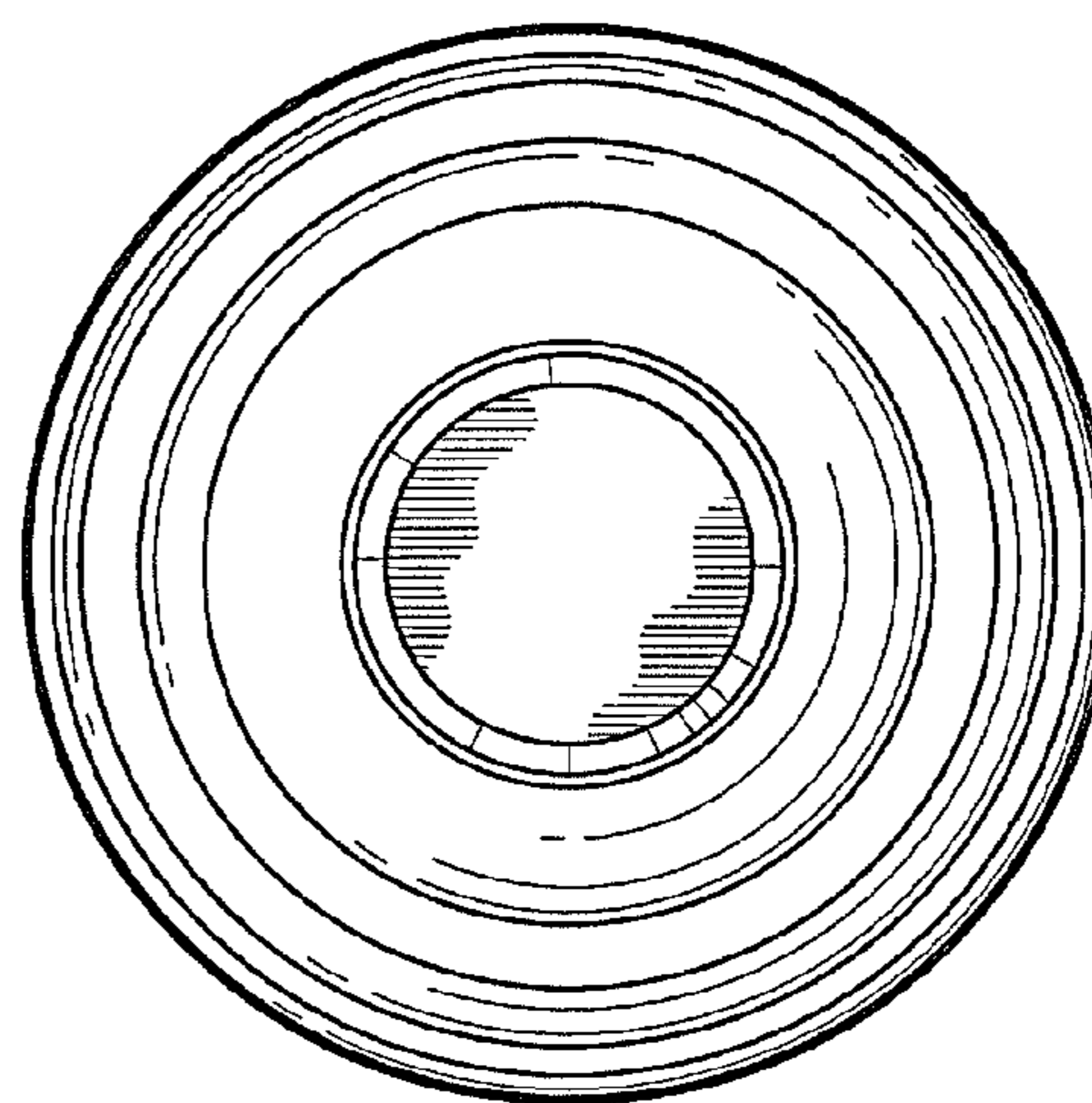


FIG. 4

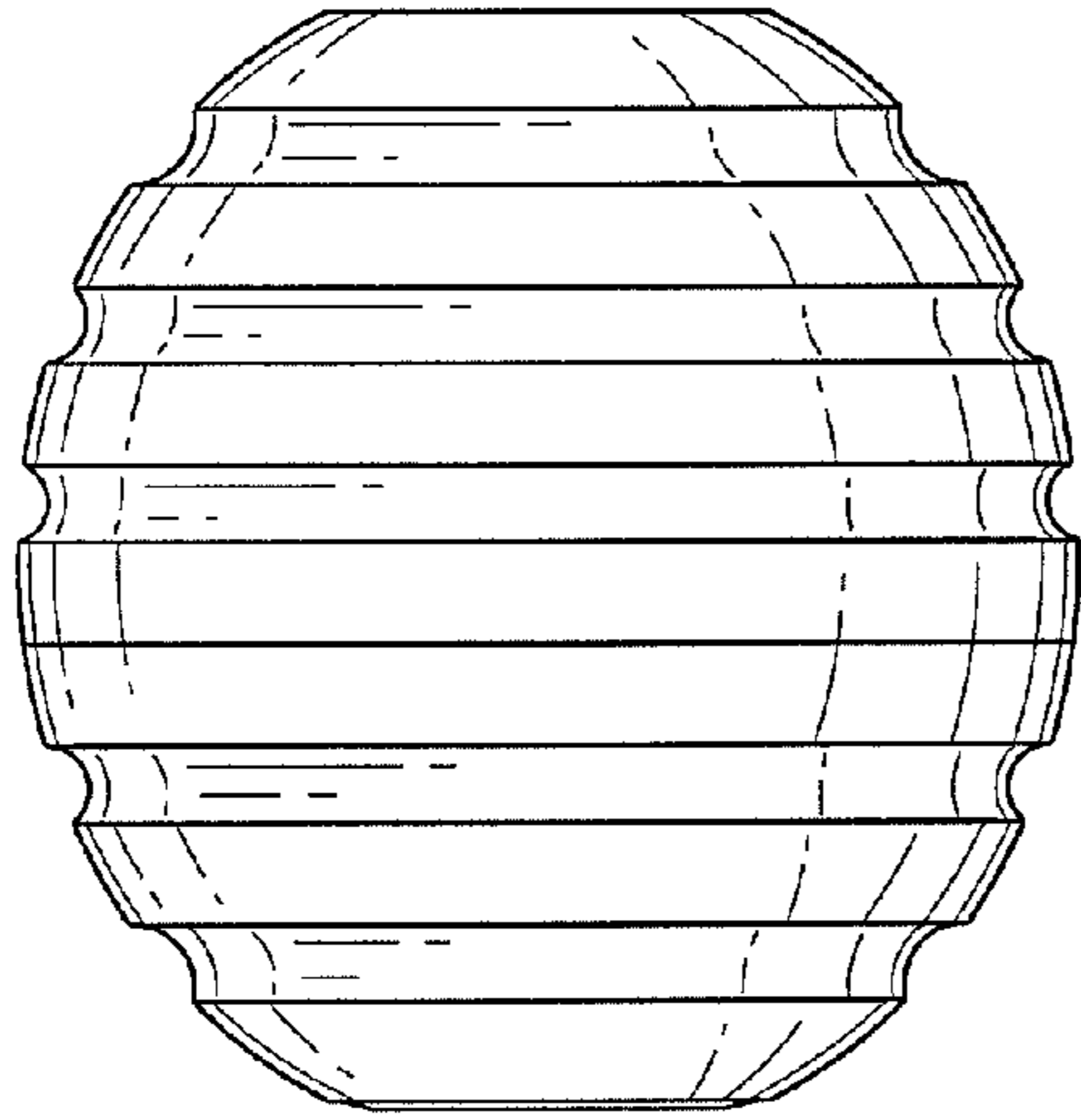


FIG. 5

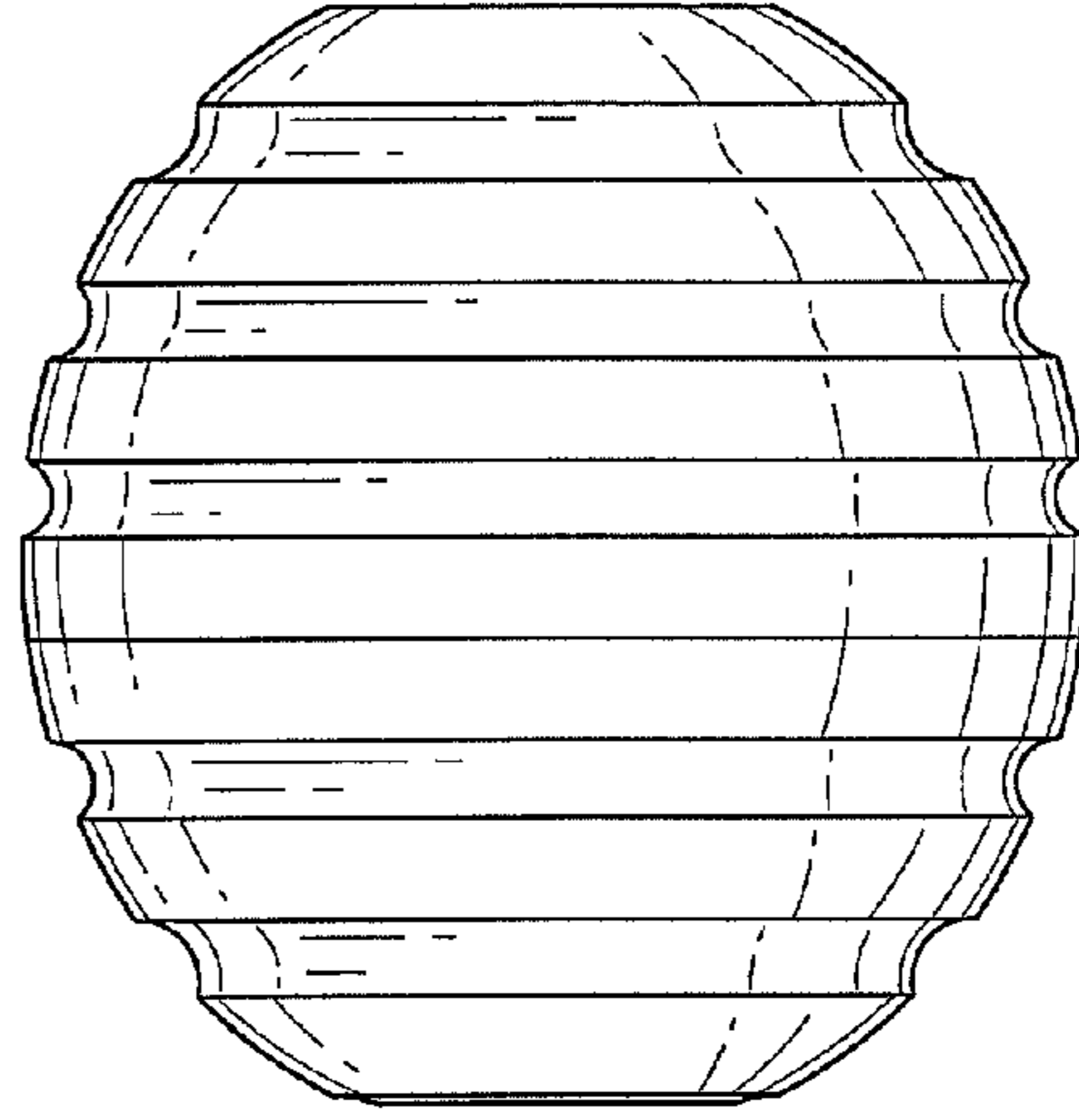


FIG. 6

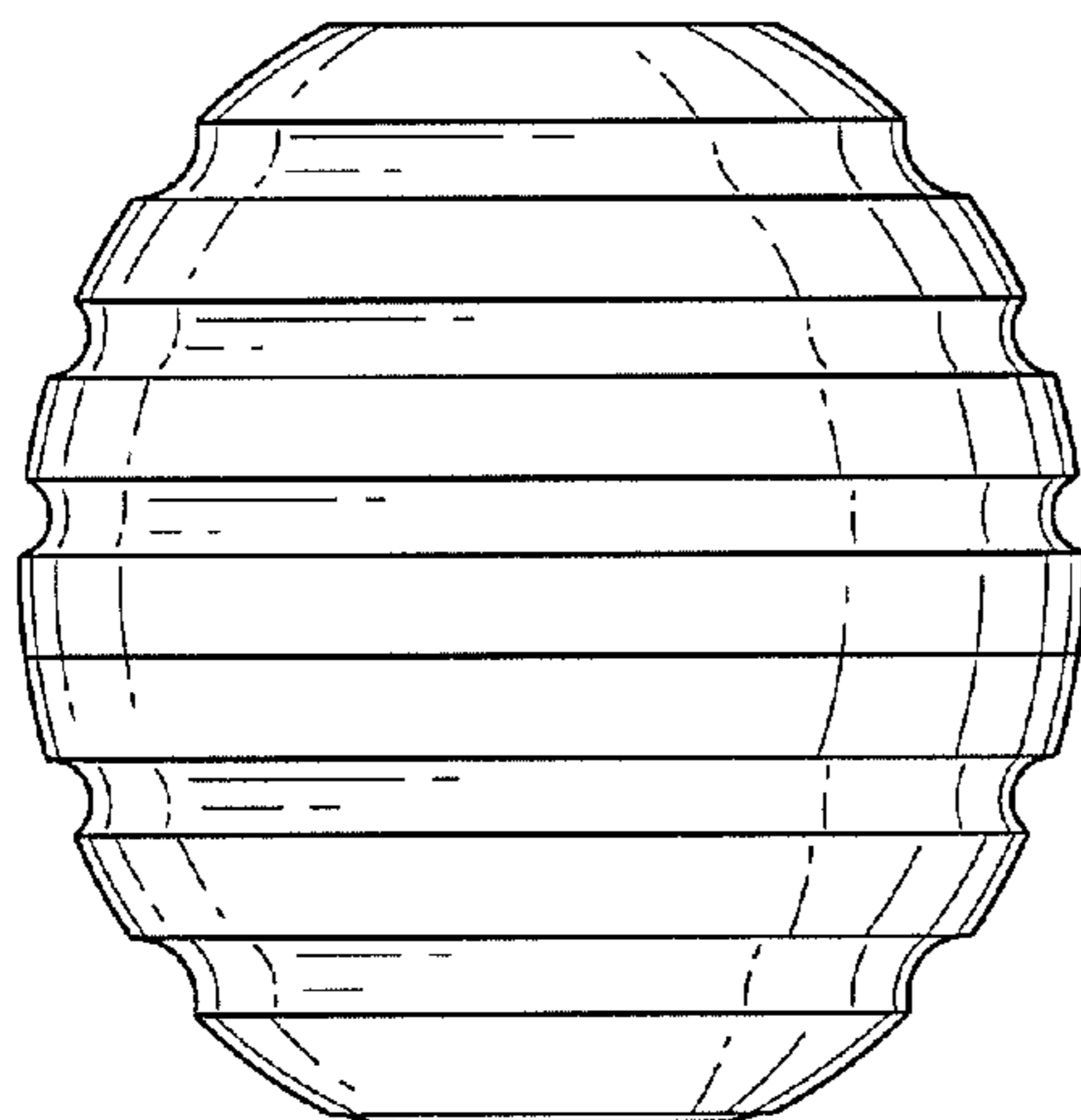


FIG. 7

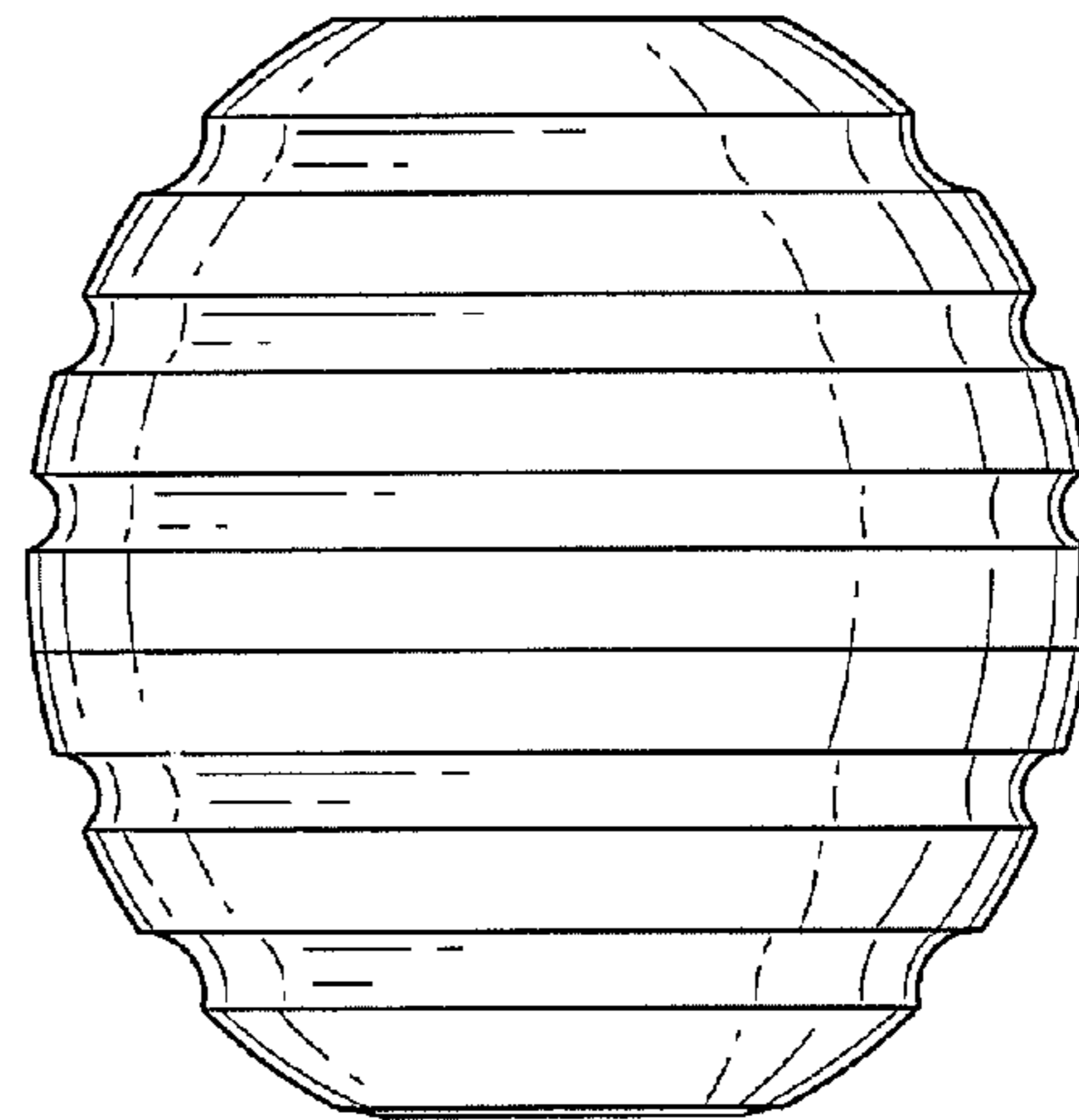


FIG. 8

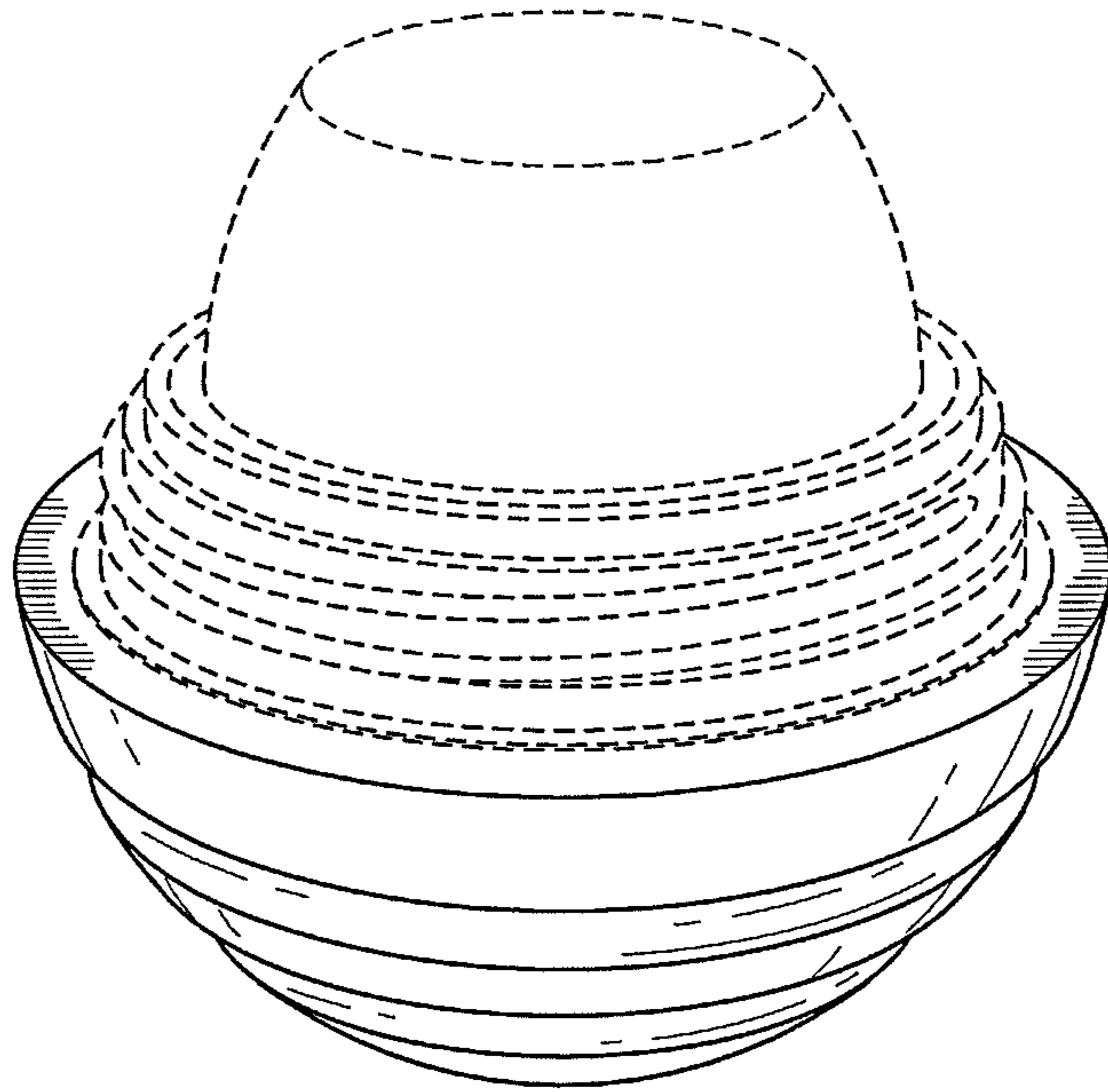


FIG. 9

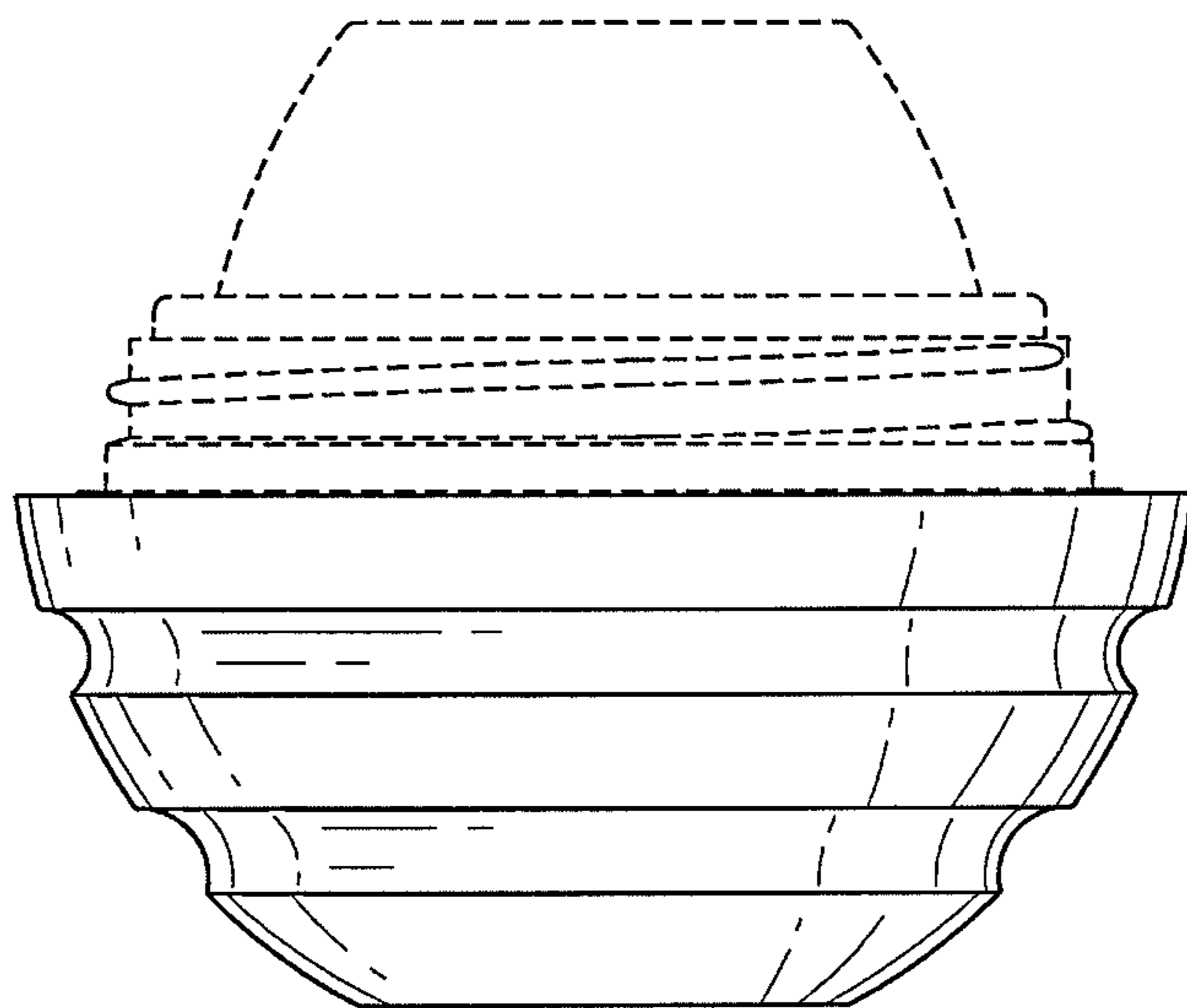


FIG. 10