



US00D735412S

(12) **United States Design Patent**
Coleman

(10) **Patent No.:** **US D735,412 S**
(45) **Date of Patent:** **** Jul. 28, 2015**

- (54) **CLIPPER ORGANIZER**
- (71) Applicant: **Ron Coleman**, Altadina, CA (US)
- (72) Inventor: **Ron Coleman**, Altadina, CA (US)
- (**) Term: **14 Years**
- (21) Appl. No.: **29/472,809**
- (22) Filed: **Nov. 15, 2013**
- (51) **LOC (10) Cl.** **28-03**
- (52) **U.S. Cl.**
USPC **D28/61; D28/73; D28/54; D6/672**
- (58) **Field of Classification Search**
USPC D28/9, 10, 11, 73, 76, 17, 20, 38, 77,
D28/99, 75, 4, 7, 8, 61, 54, 41, 36, 39;
248/121, 519, 188.7, 523; D6/677.3,
D6/405, 682.6, 682.5, 672, 682.2, 546,
D6/552, 712; D10/125; D24/233, 128,
D24/214, 194, 200, 189, 158; D3/27, 23,
D3/24, 205, 215, 224, 229; 132/273, 56,
132/285, 319, 73, 217, 216; 112/169;
D16/242, 249; 211/85.2, 70.6; D4/127,
D4/128, 114, 138; 606/234; D21/682, 362;
D18/15; 224/245, 148.4, 148.6;
604/289; D20/11, 21; 359/892, 891;
D19/112; 215/391
CPC A47K 1/08; A47F 5/08; A47F 5/02;
A47F 5/04; A45F 3/16; A45F 3/18; A45D
44/12; A45D 40/30; A45D 2/48; A41D 13/05;
A45B 1/06
See application file for complete search history.

D187,093	S	*	1/1960	Anderle	D6/449
2,985,315	A	*	5/1961	Paruolo	211/189
D237,931	S	*	12/1975	Brandenfels	D6/465
3,998,332	A	*	12/1976	Lambertson	211/71.01
D244,913	S	*	7/1977	Brandenfels	D6/462
D248,915	S	*	8/1978	Brandenfels	D6/462
4,127,196	A	*	11/1978	Boucher	211/207
4,312,452	A	*	1/1982	Waier	211/23
D352,190	S	*	11/1994	Tucker	D6/468
5,615,783	A	*	4/1997	Warnken	211/118
5,660,637	A	*	8/1997	Dodge	118/500
D391,421	S	*	3/1998	Steelman	D6/479
D466,331	S	*	12/2002	Chang	D6/411
6,571,968	B1	*	6/2003	Cullen	211/113
6,789,687	B2	*	9/2004	Cramer	211/106.01
D562,572	S	*	2/2008	Nothel	D6/310
D601,833	S	*	10/2009	Stukenberg	D6/509

(Continued)

Primary Examiner — Marianne Pandozzi
(74) *Attorney, Agent, or Firm* — Buche & Associates, P.C.;
John K. Buche

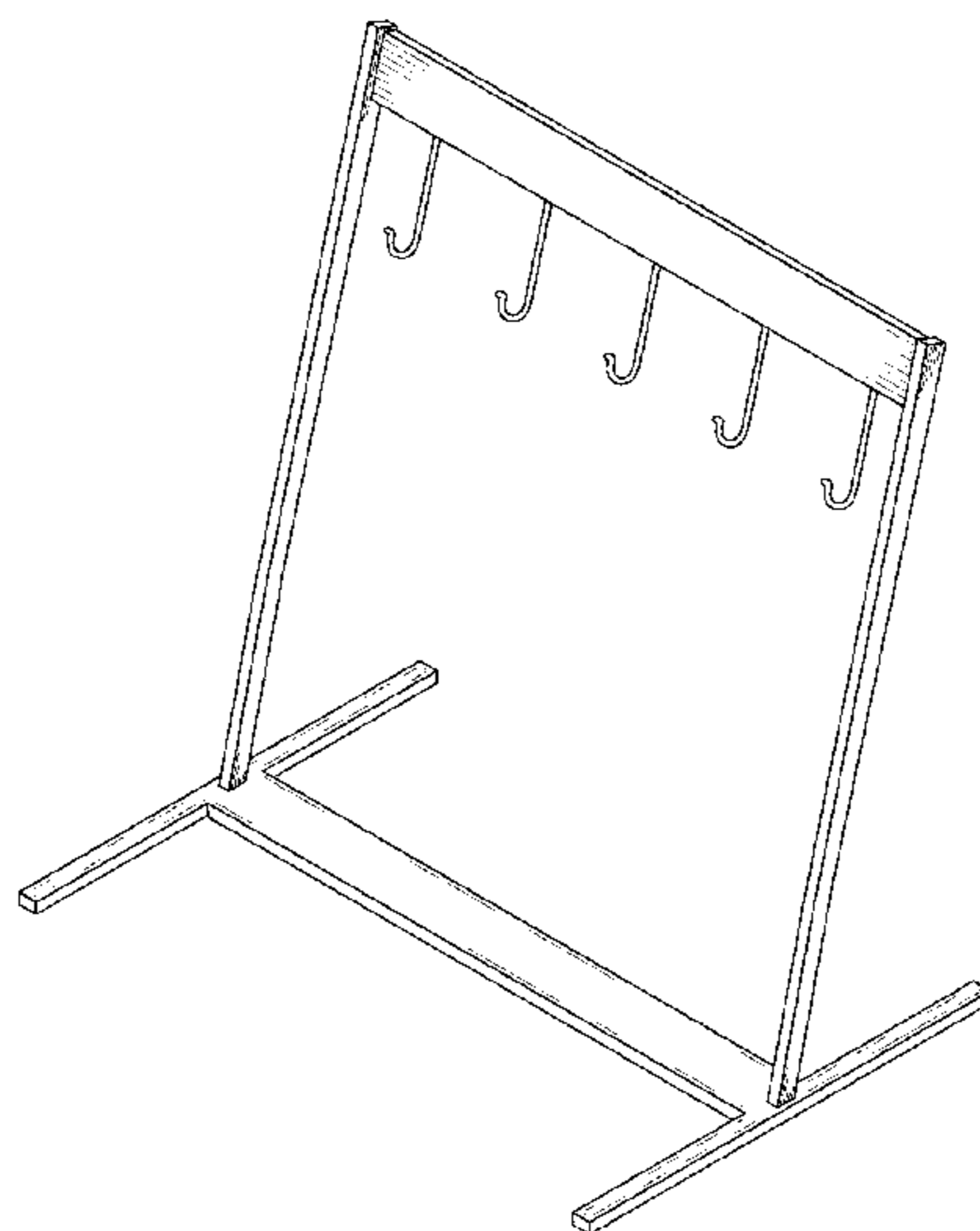
(57) **CLAIM**
The ornamental design for a clipper organizer, as shown and described.

DESCRIPTION

FIG. 1 is a perspective view of a clipper organizer showing my new design;
FIG. 2 is a front elevational view of the clipper organizer;
FIG. 3 is a back elevational view of the clipper organizer;
FIG. 4 is a left side elevational view of the clipper organizer;
FIG. 5 is a right side elevational view of the clipper organizer;
FIG. 6 is a top view of the clipper organizer;
FIG. 7 is a bottom view of the clipper organizer; and,
FIG. 8 is an environmental perspective view of the clipper organizer.
The broken lines in the drawings are included for the purpose of illustration and form no part of the claimed design.

1 Claim, 5 Drawing Sheets

- (56) **References Cited**
U.S. PATENT DOCUMENTS
D31,854 S * 11/1899 Hudgin D6/310
D174,407 S * 4/1955 Anderle D6/449
2,905,328 A * 9/1959 Munao et al. 211/85.2



US D735,412 S

Page 2

(56)

References Cited

U.S. PATENT DOCUMENTS

D608,945 S * 1/2010 Coleman et al. D28/9
D622,084 S * 8/2010 Stukenberg et al. D6/467
7,954,652 B2 * 6/2011 Kao 211/70.6

D665,946 S * 8/2012 McNair D28/10
8,439,210 B1 * 5/2013 Griffith 211/119.004
D704,973 S * 5/2014 Denby et al. D6/708
8,959,813 B2 * 2/2015 Denby et al. 40/606.03
2003/0106868 A1 * 6/2003 Cramer 211/106.01

* cited by examiner

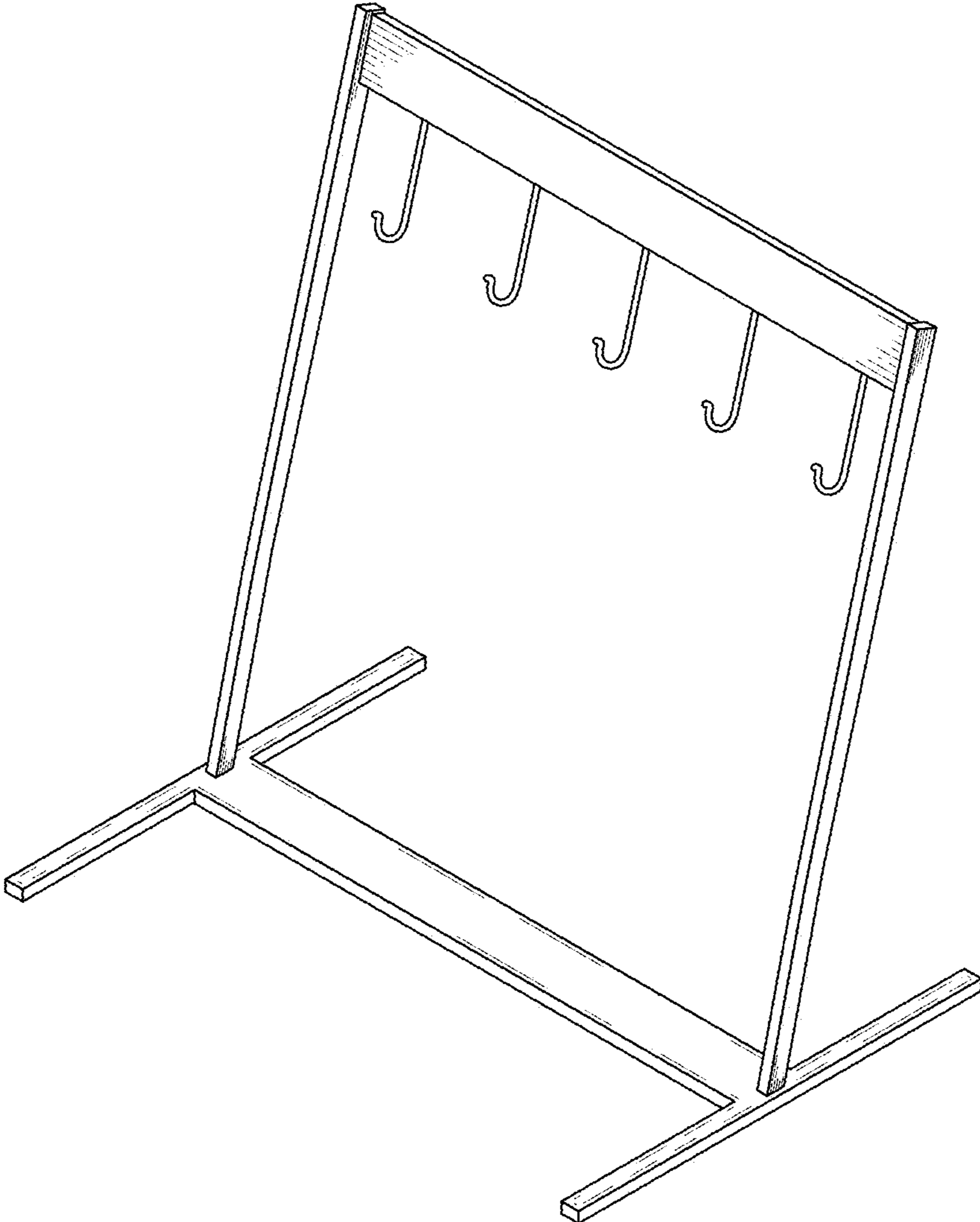


FIG. 1

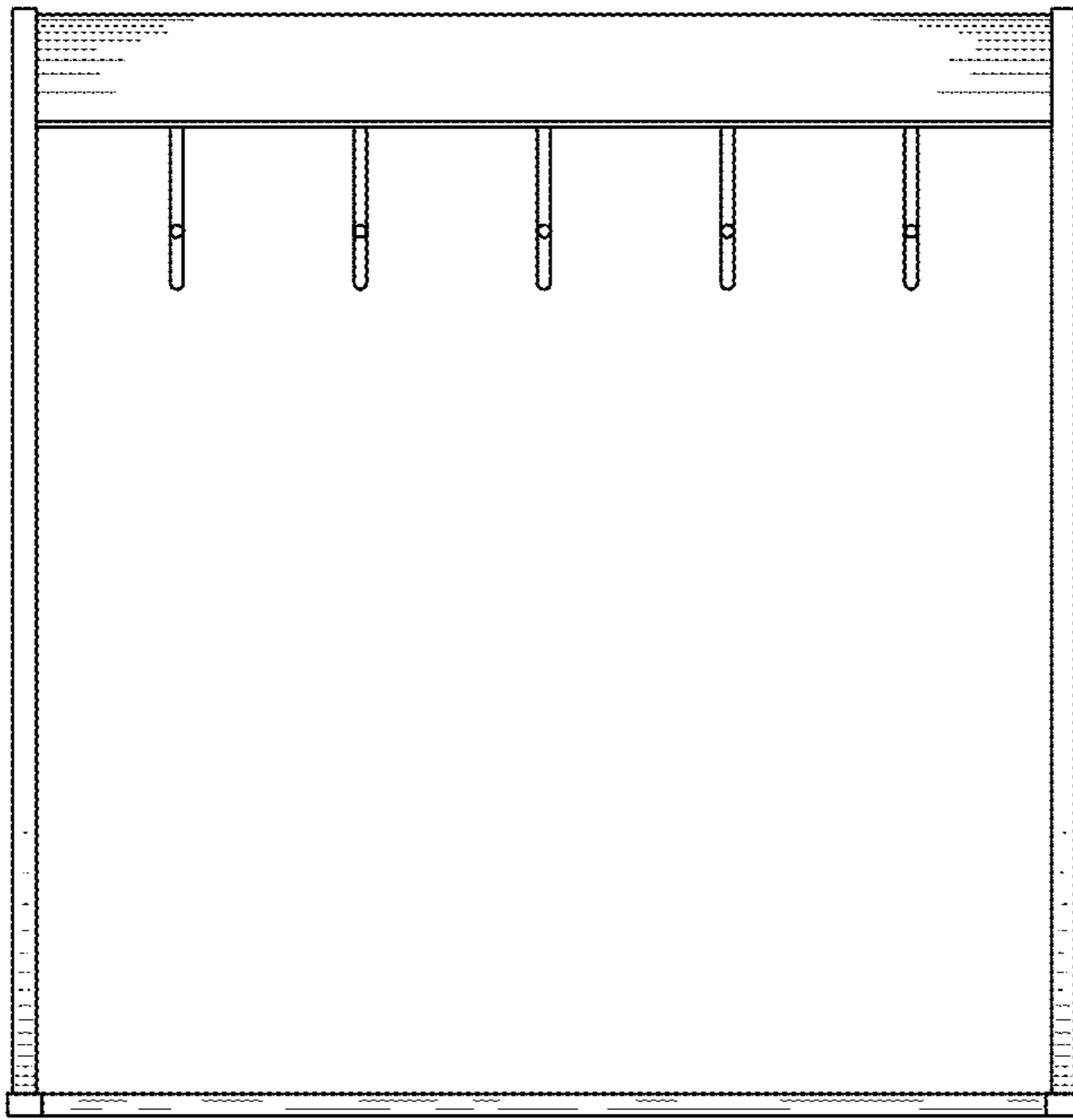


FIG. 2

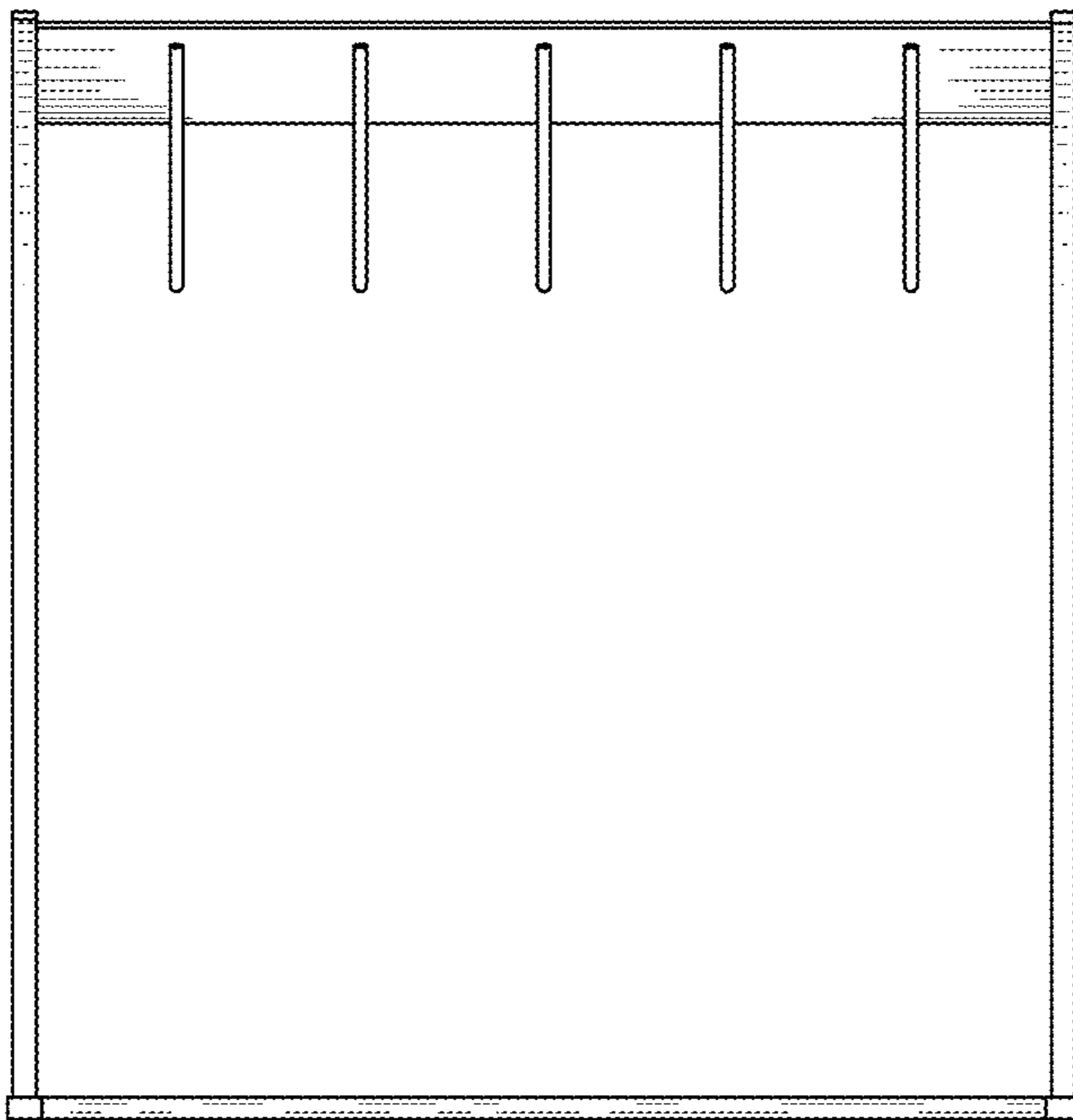


FIG. 3

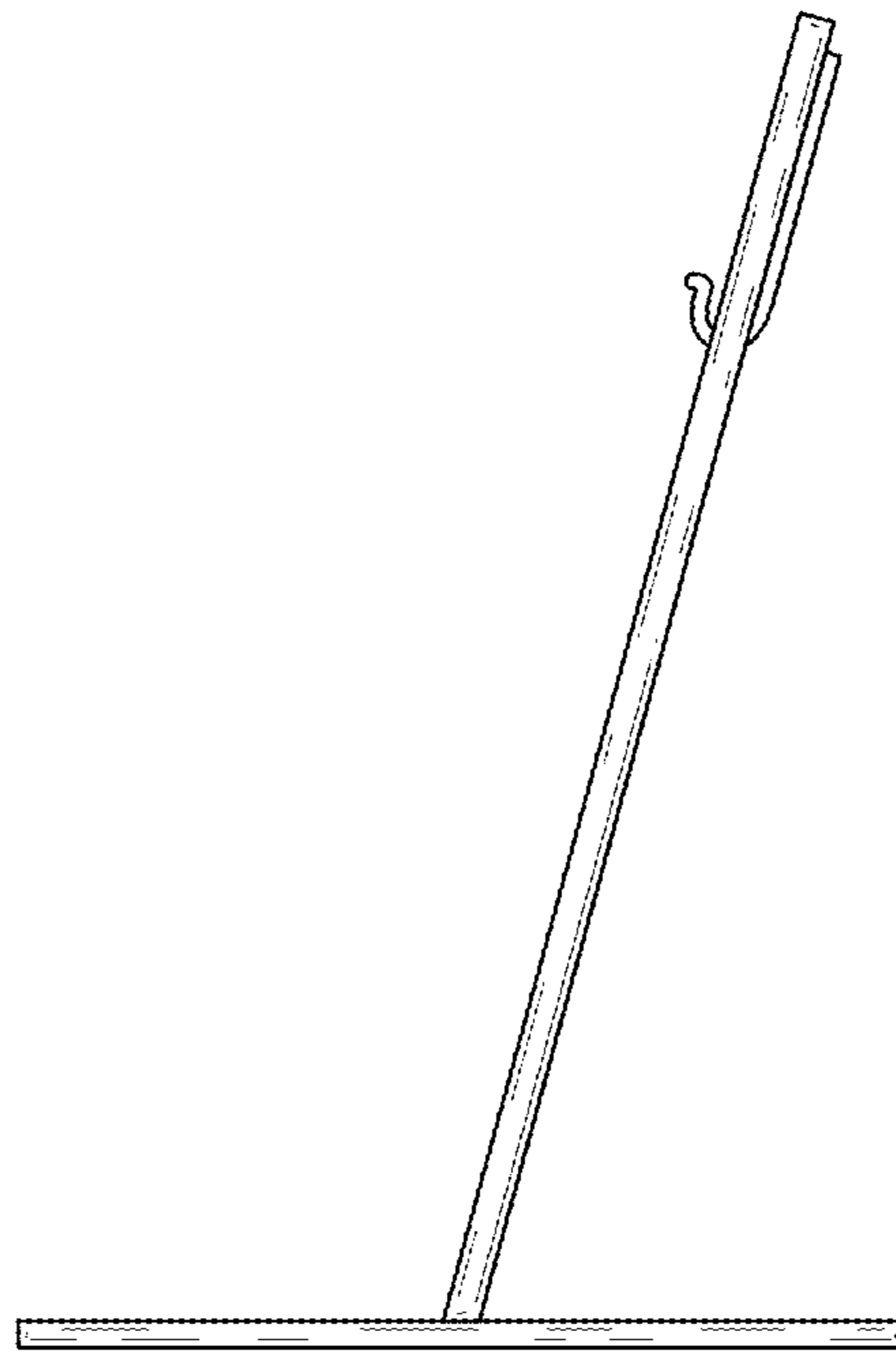


FIG. 4

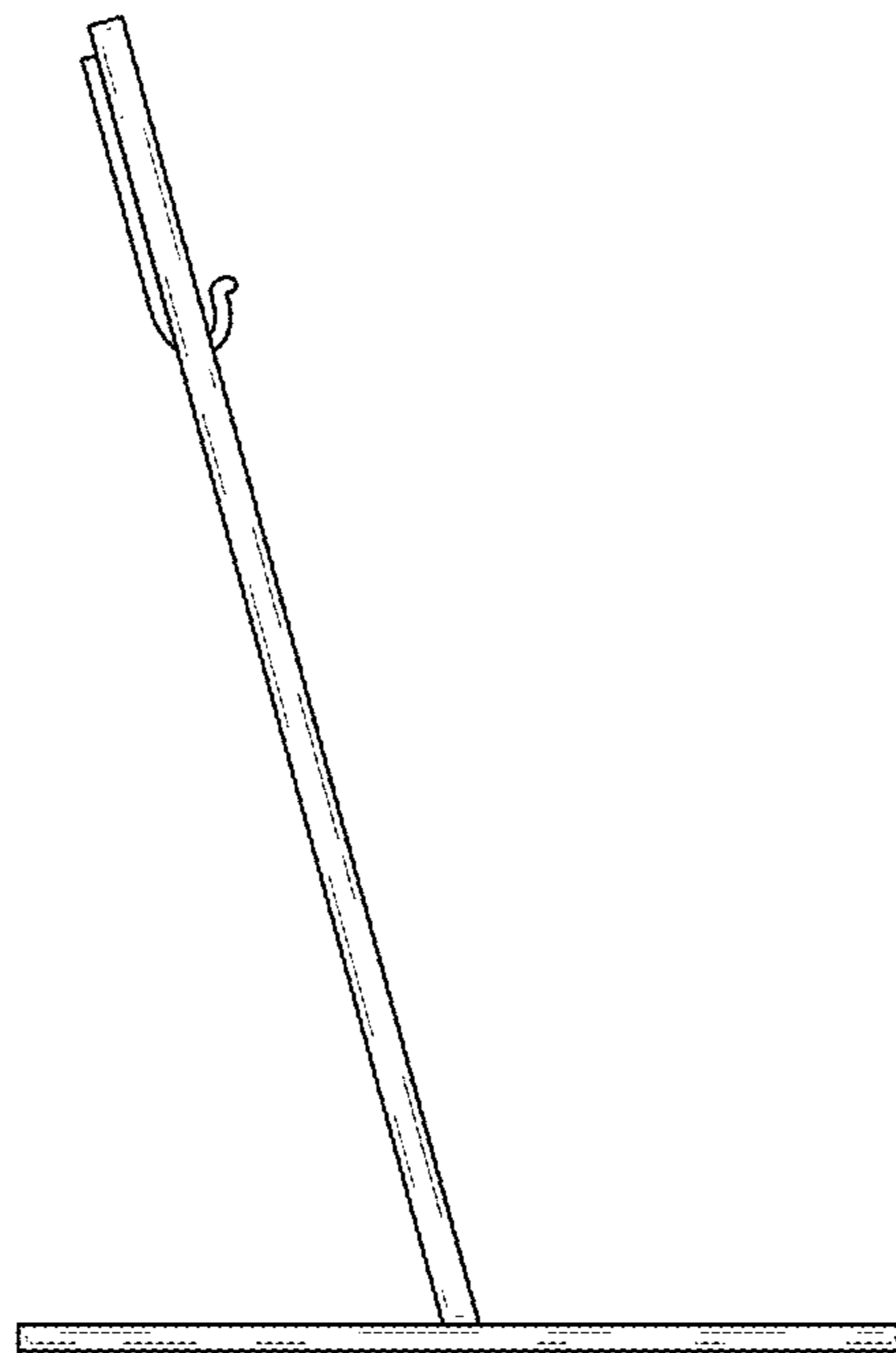


FIG. 5

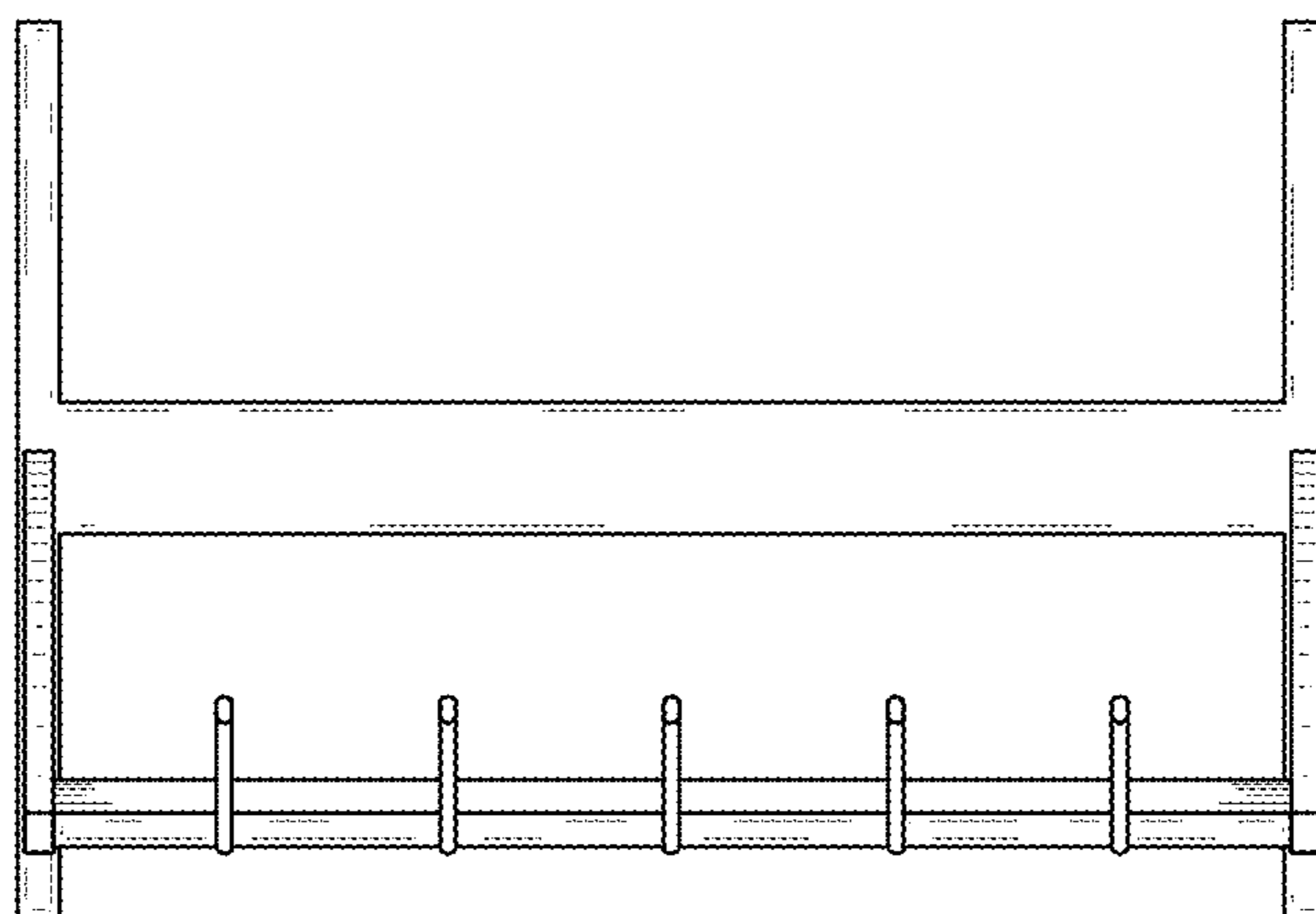


FIG. 6

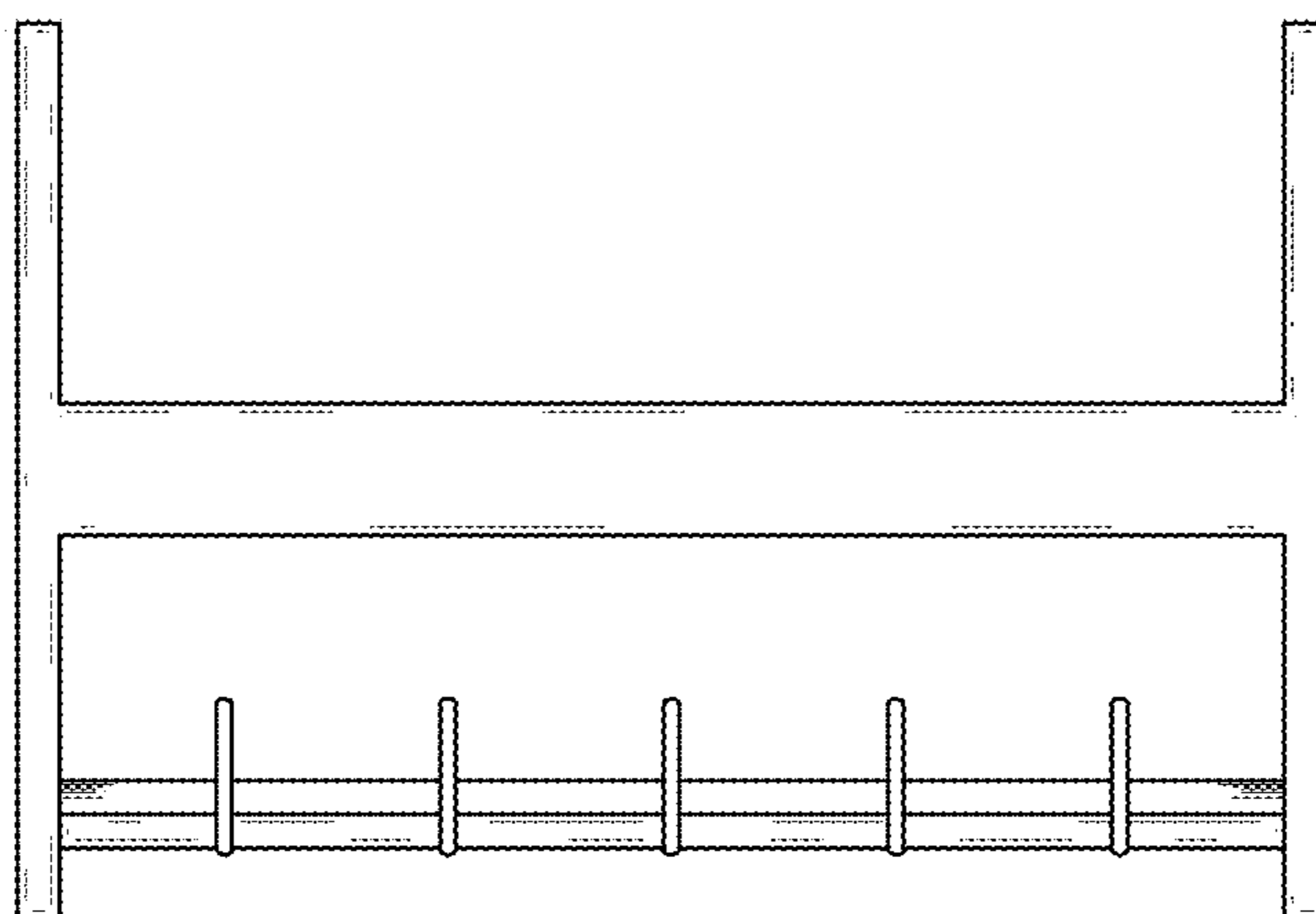


FIG. 7

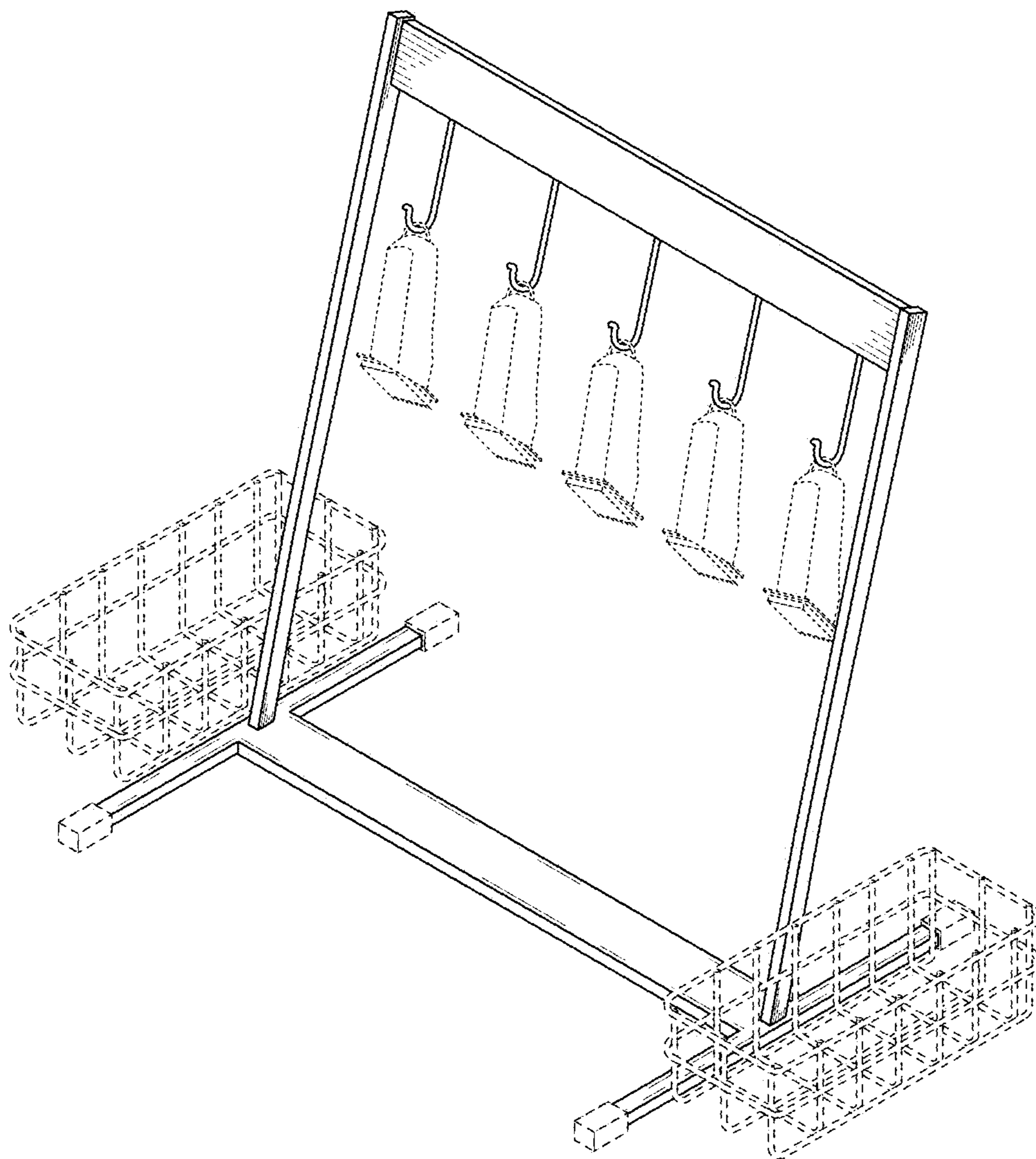


FIG. 8