



US00D735411S

(12) **United States Design Patent**  
**Champe et al.**

(10) **Patent No.:** **US D735,411 S**  
(45) **Date of Patent:** **\*\* Jul. 28, 2015**

(54) **NAIL CLIPPER**

(71) Applicants: **Peter Champe**, Longmount, CO (US);  
**Holly Hollowell**, Westminster, CO (US)

(72) Inventors: **Peter Champe**, Longmount, CO (US);  
**Holly Hollowell**, Westminster, CO (US)

(73) Assignee: **BabyConfyNose, LLC.**, Longmont, CO (US)

(\*\*) Term: **14 Years**

(21) Appl. No.: **29/489,017**

(22) Filed: **Apr. 25, 2014**

(51) **LOC (10) Cl.** ..... **28-03**

(52) **U.S. Cl.**  
USPC ..... **D28/60**

(58) **Field of Classification Search**  
USPC ..... 132/75.3-75.5; 30/28; D28/60  
CPC ..... A45D 29/02; A45D 29/023; A45D 29/18;  
A45D 29/04; A45D 2029/026  
See application file for complete search history.

(56) **References Cited**

**U.S. PATENT DOCUMENTS**

D345,628 S \* 3/1994 Pacio ..... D28/60  
D347,296 S \* 5/1994 Adelman ..... D28/60

5,546,658 A \* 8/1996 MacLeod et al. .... 30/28  
D403,116 S \* 12/1998 Ross ..... D28/60  
D523,175 S \* 6/2006 Kriser ..... D28/60  
D546,502 S \* 7/2007 Lund et al. .... D28/60  
D562,499 S \* 2/2008 Park ..... D28/60  
D591,908 S \* 5/2009 Pacio ..... D28/60  
D673,733 S \* 1/2013 Webb ..... D28/62  
8,496,013 B2 \* 7/2013 McCourtney ..... 132/75

\* cited by examiner

*Primary Examiner* — Jennifer Rivard

(74) *Attorney, Agent, or Firm* — JP Webb; Jason P. Webb;  
Danny Y. H. Cheng

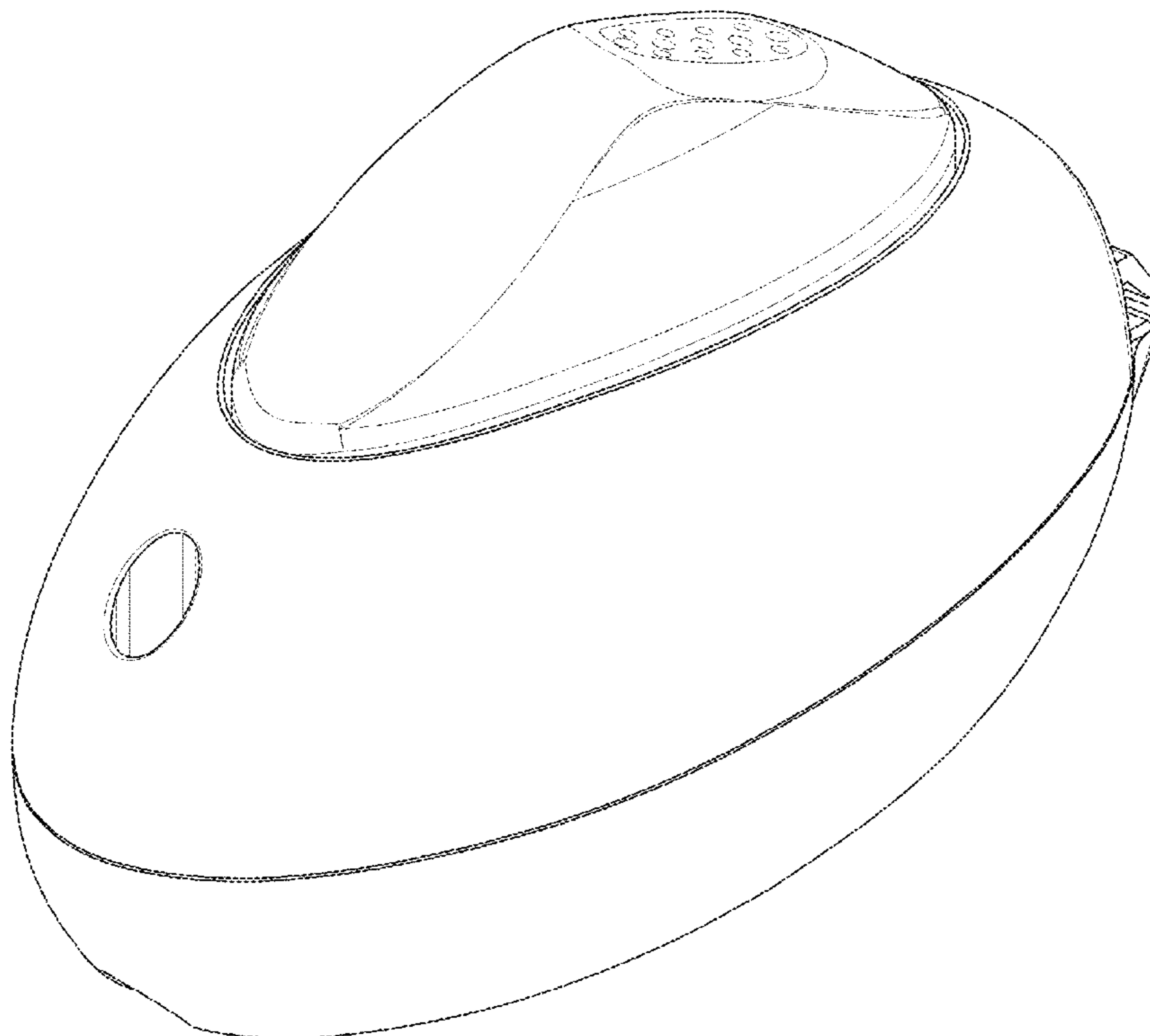
(57) **CLAIM**

The ornamental design for a nail clipper, as shown and described.

**DESCRIPTION**

FIG. 1 is a top-rear perspective view of a nail clipper, showing my new design;  
FIG. 2 is a back elevational view thereof;  
FIG. 3 is a front elevational view thereof;  
FIG. 4 is a left side elevational view thereof;  
FIG. 5 is a right side elevational view thereof;  
FIG. 6 is a top plan view thereof; and,  
FIG. 7 is a bottom plan view thereof.  
The broken lines illustrate portions of the nail clipper and form no part of the claimed design.

**1 Claim, 7 Drawing Sheets**



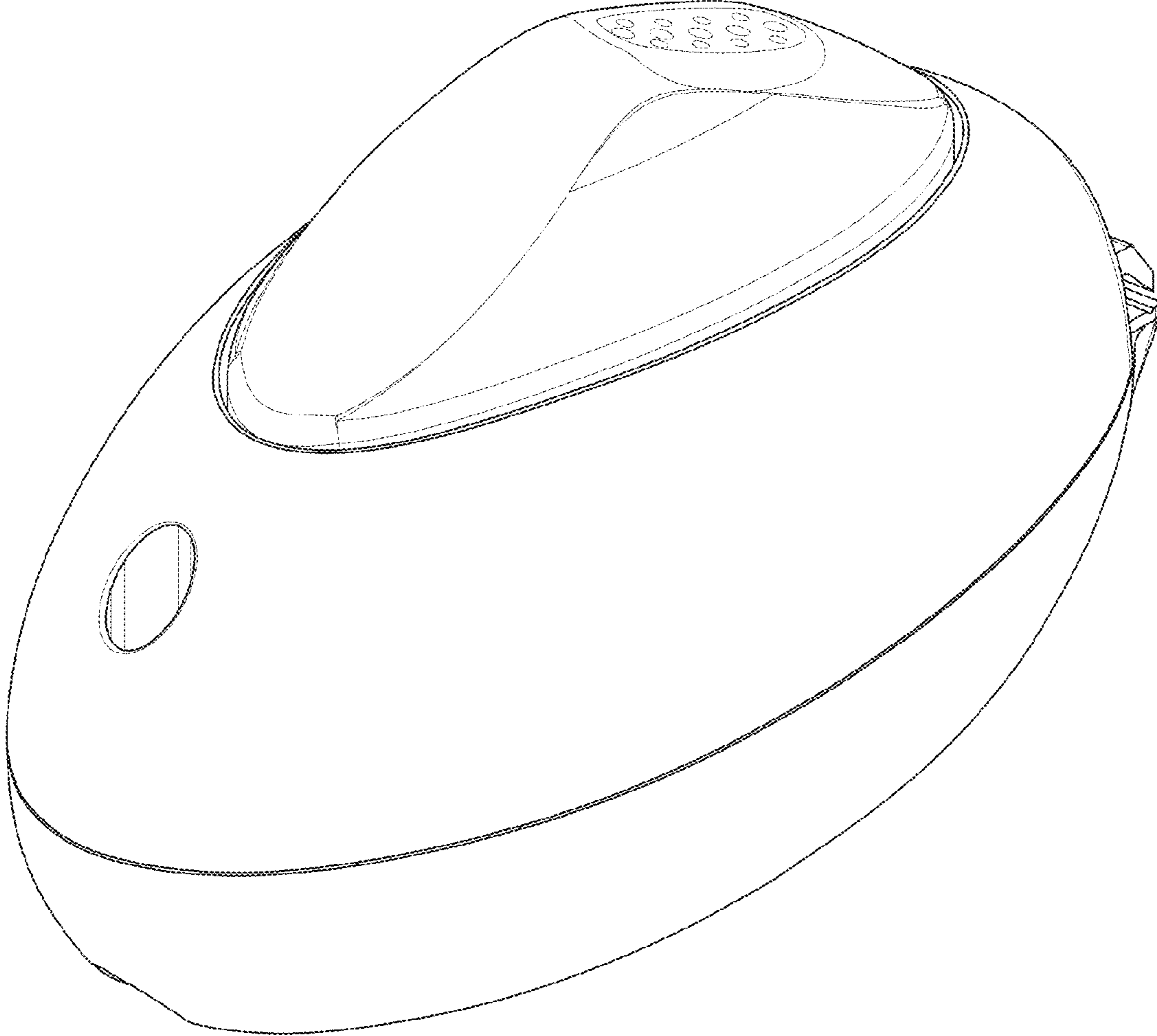


FIG. 1

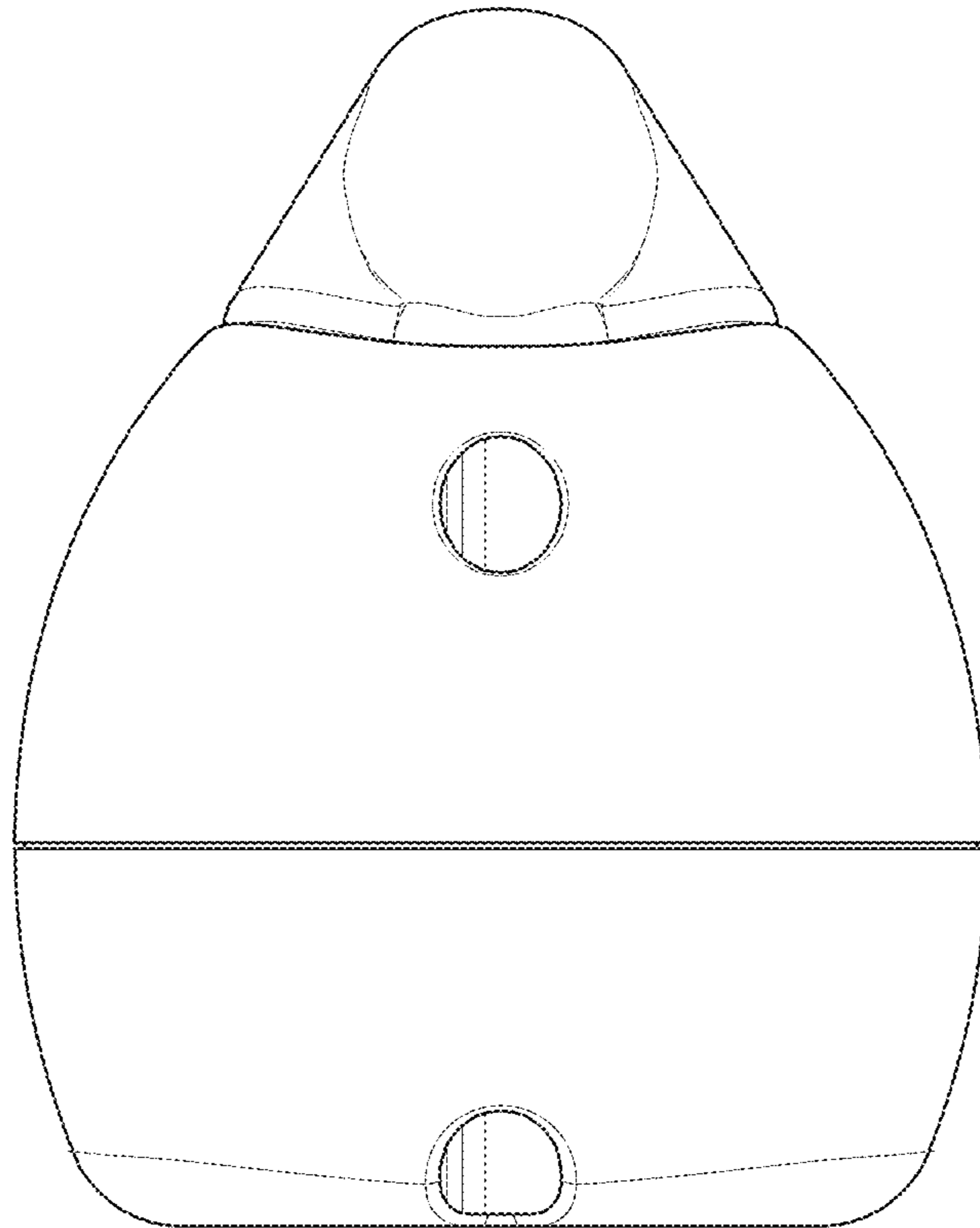


FIG. 2

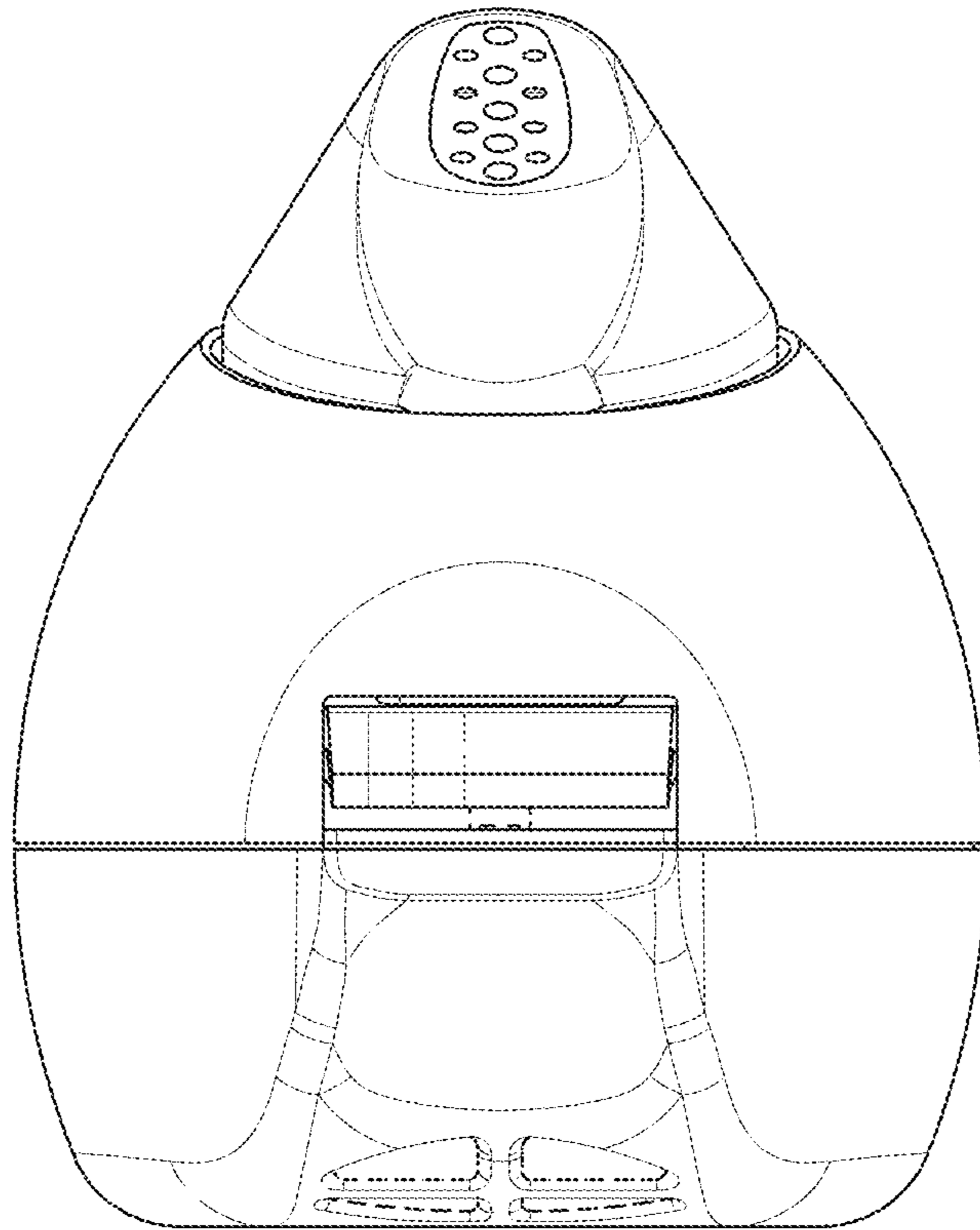


FIG. 3

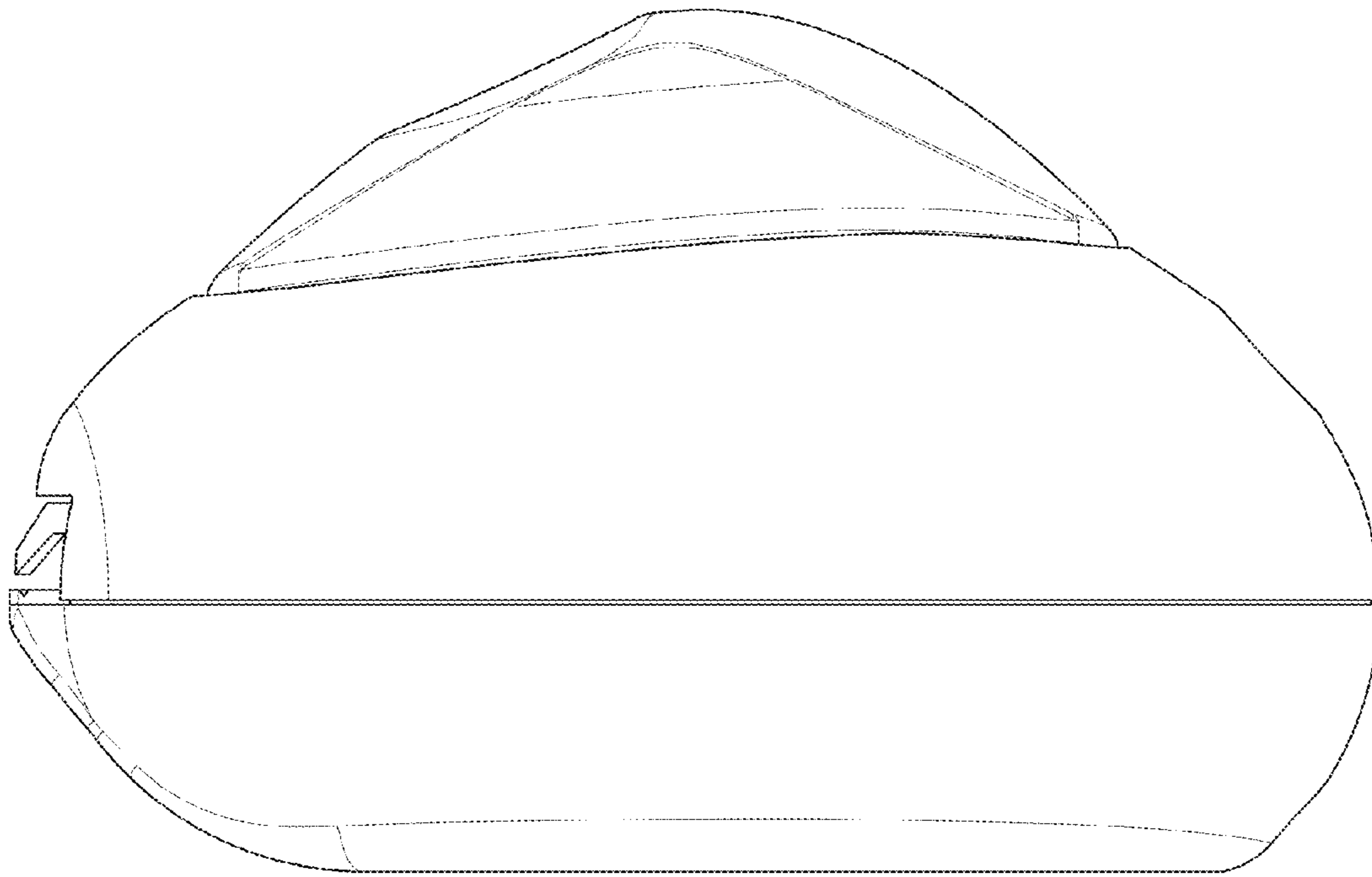


FIG. 4

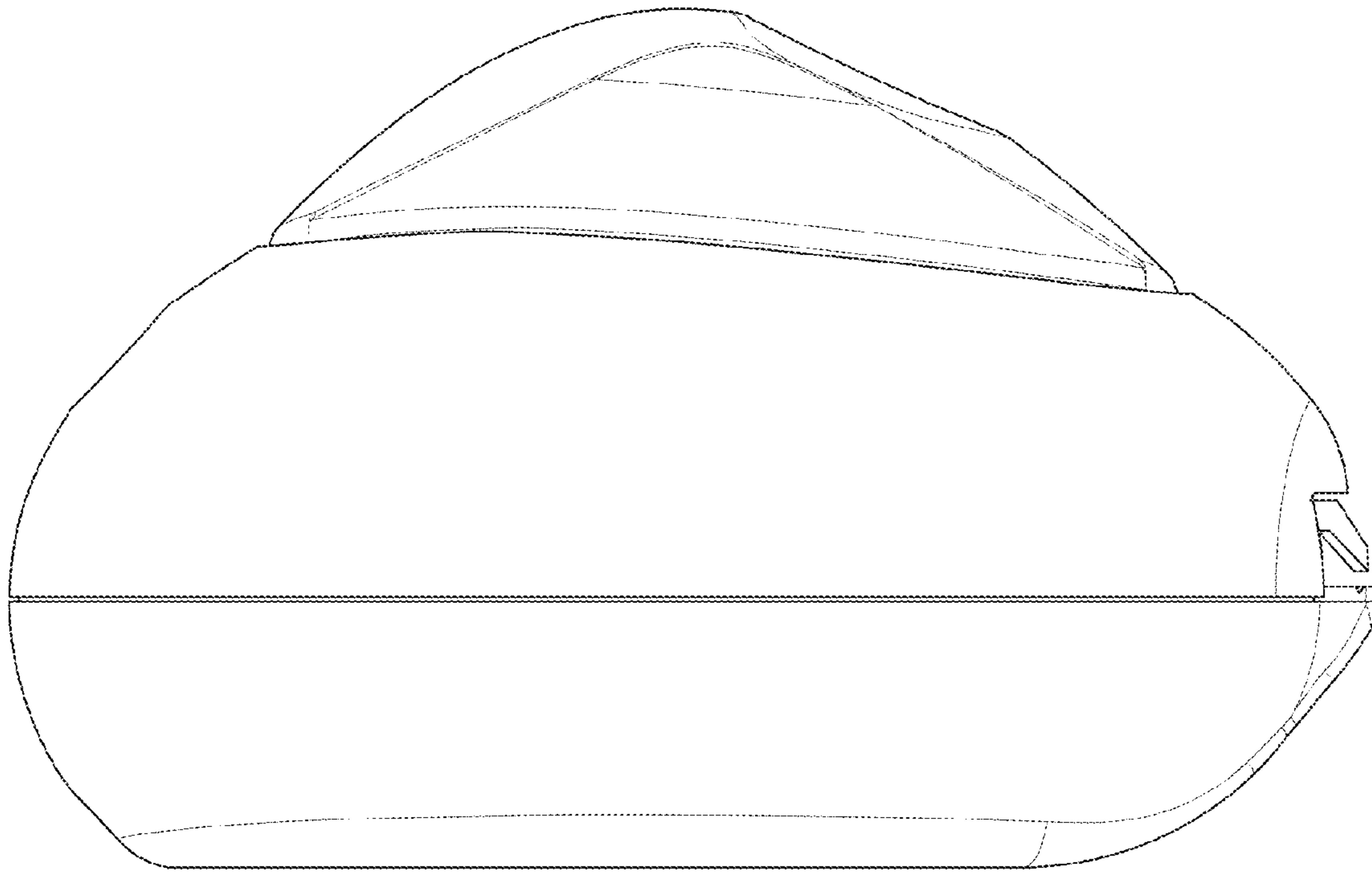


FIG. 5

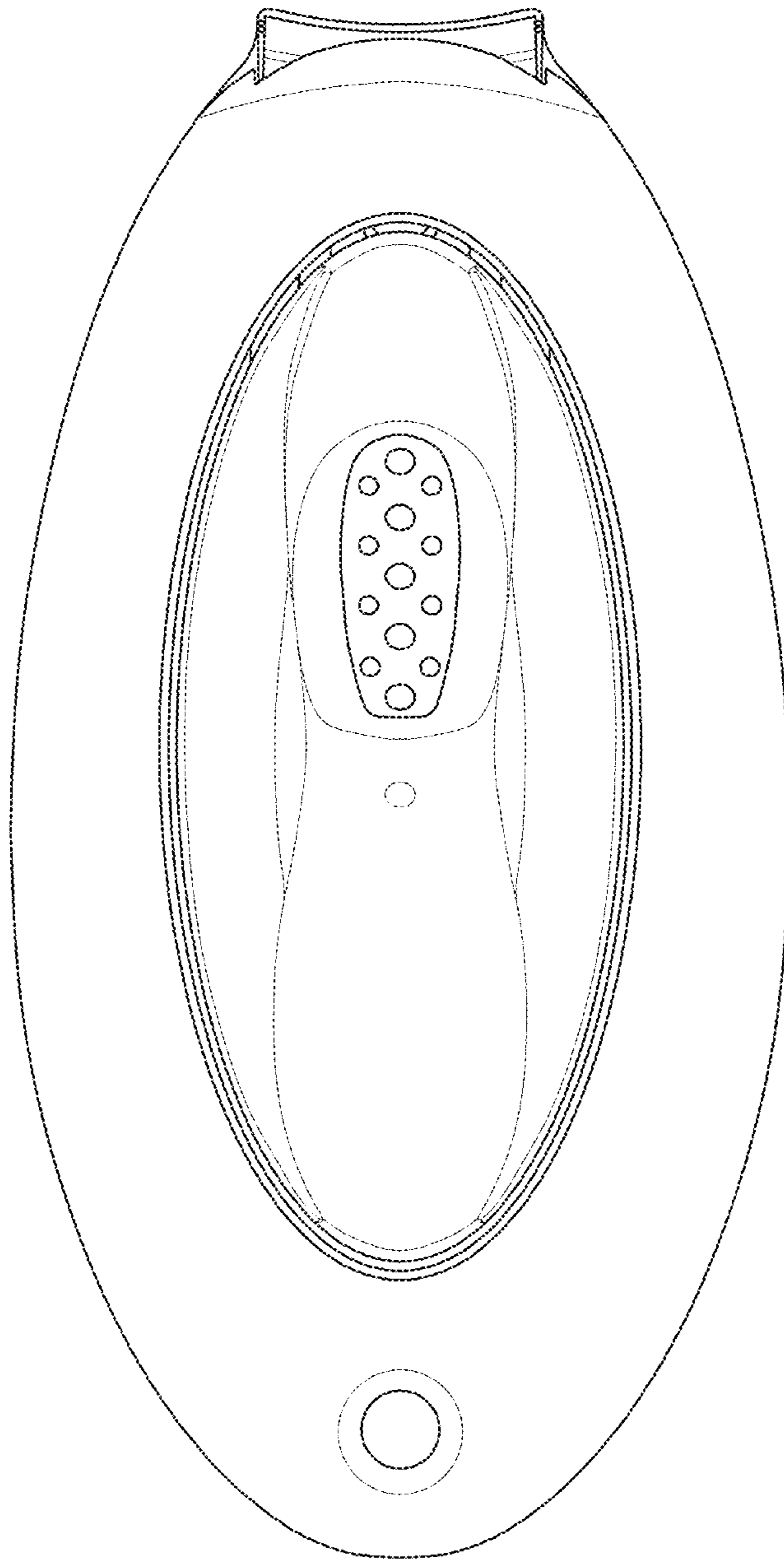


FIG. 6



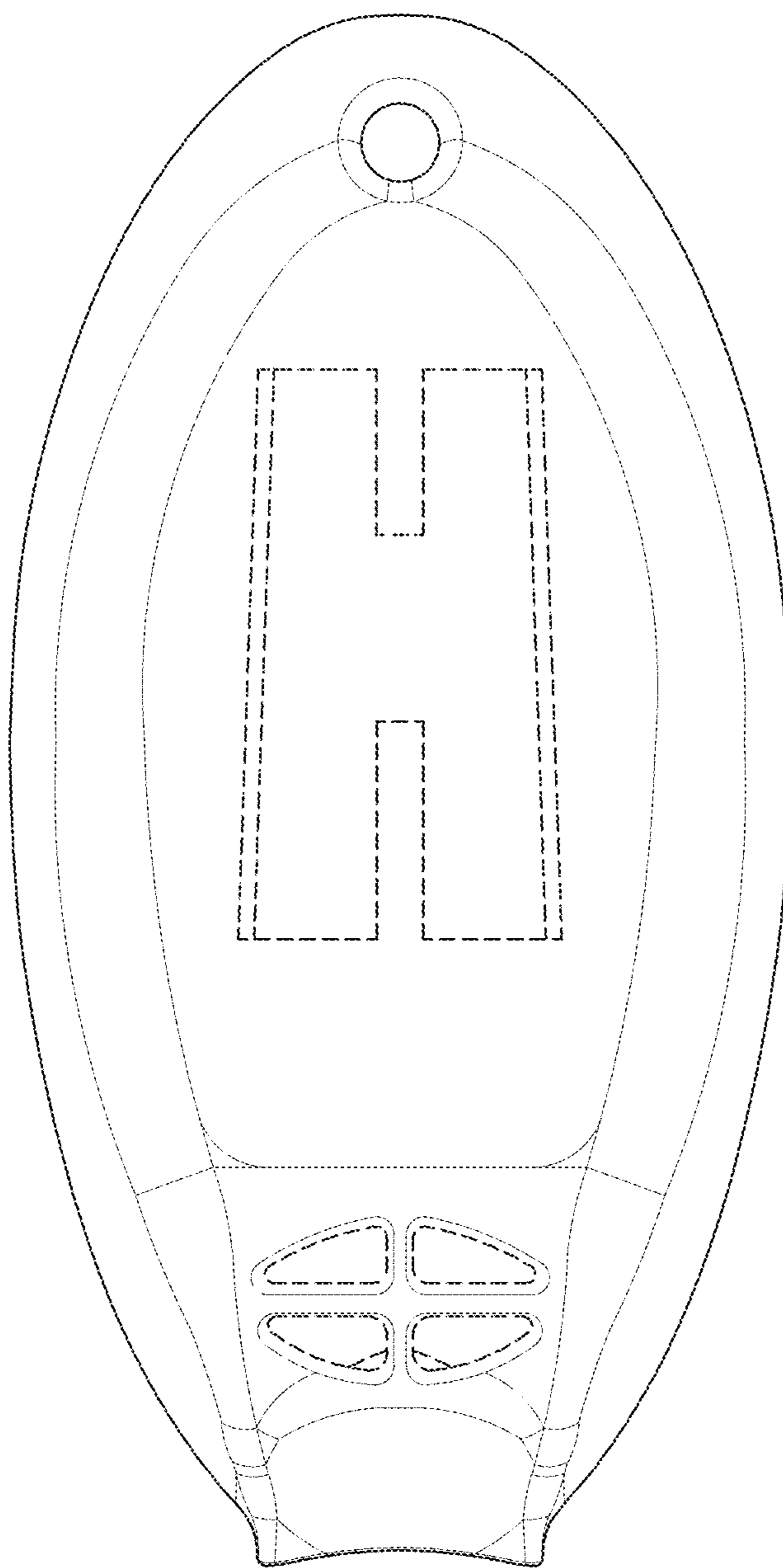


FIG. 7