



US00D735402S

(12) **United States Design Patent**
Goyal et al.

(10) **Patent No.:** **US D735,402 S**
(45) **Date of Patent:** **** Jul. 28, 2015**

(54) **NIGHT LIGHT**

FOREIGN PATENT DOCUMENTS

(71) Applicant: **Cooper Technologies Company**,
Houston, TX (US)

DE 4026864 A1 * 4/1991 F21S 1/02
DE 102012204840 A1 * 10/2013

(72) Inventors: **Rahul Natwar Goyal**, Tyrone, GA (US);
Michael Ray Nelson, Peachtree City,
GA (US)

OTHER PUBLICATIONS

GameBoy, image post date 1991, site visited Mar. 14, 2015, (online),
<<http://www.structuregaming.com/2013/07/26/gearboy-gameboy-advance-for-ios-no-jailbreak-required/>>.*

(73) Assignee: **Cooper Technologies Company**,
Houston, TX (US)

(Continued)

(**) Term: **14 Years**

Primary Examiner — Kevin Rudzinski

Assistant Examiner — Sean D Lough

(21) Appl. No.: **29/499,289**

(74) *Attorney, Agent, or Firm* — King & Spalding LLP

(22) Filed: **Aug. 13, 2014**

Related U.S. Application Data

(62) Division of application No. 29/405,812, filed on Nov.
7, 2011, now Pat. No. Des. 719,688.

(51) **LOC (10) Cl.** **26-99**

(52) **U.S. Cl.**
USPC **D26/120**

(58) **Field of Classification Search**
USPC D26/9, 10, 12, 13, 15, 16, 24, 51, 61,
D26/72, 76, 80, 81, 85, 86, 88, 90, 113, 118,
D26/119, 120, 122, 128, 129, 138, 143,
D26/144; D13/180; D10/93, 114
CPC B60Q 1/04; B60Q 1/26; F21V 29/004;
F21V 21/02; F21V 21/04; F21V 29/2212;
F21S 8/026; F21S 8/04; F21Y 2101/02
See application file for complete search history.

(56) **References Cited**

U.S. PATENT DOCUMENTS

D232,146 S * 7/1974 Dean D6/584
D269,430 S 6/1983 Doyle et al.

(Continued)

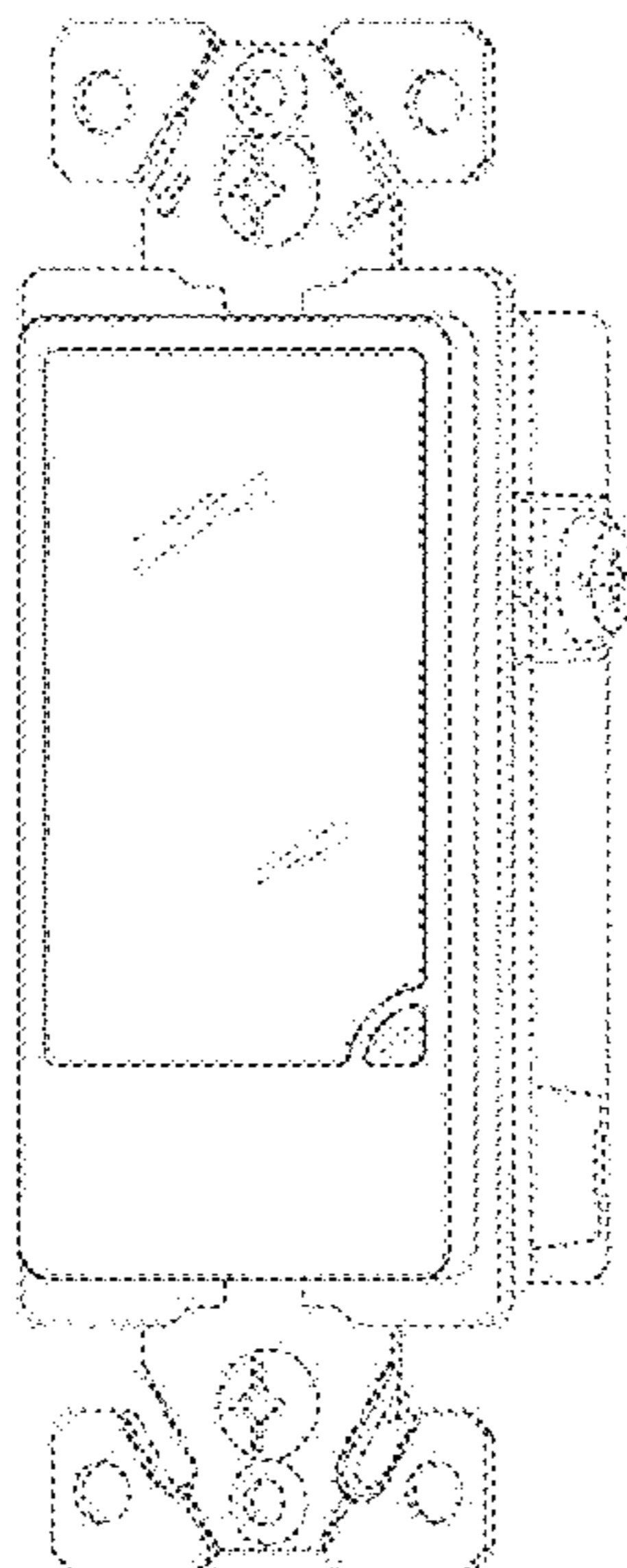
(57) **CLAIM**

The ornamental design for a night light, as shown and
described.

DESCRIPTION

FIG. 1 is a perspective view of a new ornamental design for a
night light;
FIG. 2 is a front elevation view of the night light of FIG. 1;
FIG. 3 is a rear elevation view of the night light of FIG. 1;
FIG. 4 is a left-side elevation view of the night light of FIG. 1;
FIG. 5 is a right-side elevation view of the night light of FIG.
1;
FIG. 6 is a top plan view of the night light of FIG. 1;
FIG. 7 is a bottom plan view of the night light of FIG. 1;
FIG. 8 is a perspective view of the second embodiment of our
new ornamental design for the night light; and,
FIG. 9 is a front elevation view of the night light of FIG. 8
wherein the rear, left-side, right-side, top, and bottom views
are the same as those shown and described in FIGS. 3-7.
The broken lines shown represent unclaimed subject matter
and form no part of the claimed design.

1 Claim, 5 Drawing Sheets



(56)

References Cited

U.S. PATENT DOCUMENTS

D336,303 S 6/1993 Teitzman et al.
 D352,564 S 11/1994 Marischen
 D392,400 S * 3/1998 Emmerling D26/26
 D425,312 S 5/2000 Reynolds et al.
 D429,829 S 8/2000 Doran
 D450,643 S 11/2001 Terzano
 6,363,271 B1 * 3/2002 Berry 600/361
 D473,712 S * 4/2003 Sabounjian D3/270
 D502,173 S 2/2005 Jung et al.
 D506,151 S 6/2005 Roher et al.
 D514,006 S * 1/2006 Kaar et al. D10/81
 D515,448 S * 2/2006 Nelson et al. D10/114.1
 D515,449 S 2/2006 Nelson et al.
 D515,959 S 2/2006 Nelson et al.
 D524,461 S 7/2006 Molenaar et al.
 D526,422 S 8/2006 Yuen
 D556,607 S 12/2007 Beland et al.
 7,350,931 B1 * 4/2008 Peterson et al. 359/841
 D574,807 S 8/2008 Lee et al.
 D583,337 S 12/2008 Ni
 D594,664 S * 6/2009 Otte D5/63
 D603,983 S 11/2009 Richter et al.
 D603,984 S 11/2009 Richter et al.
 D603,985 S 11/2009 Richter et al.
 D604,873 S 11/2009 Richter et al.
 D614,802 S * 4/2010 Hsieh D26/118
 D615,431 S * 5/2010 Salter et al. D10/81
 D618,833 S 6/2010 Wei
 D620,192 S * 7/2010 Meyer D26/154
 D625,458 S * 10/2010 Liu D26/93
 D632,840 S * 2/2011 Nettessheim D26/142

D633,541 S 3/2011 Khubani
 D634,276 S 3/2011 Chou
 D634,866 S 3/2011 Richter et al.
 D638,683 S * 5/2011 Igeta D8/302
 D640,640 S 6/2011 Duckworth et al.
 D641,364 S 7/2011 McParland
 D644,151 S 8/2011 Chen
 D658,591 S 5/2012 Margolin et al.
 D664,103 S 7/2012 Sasaoka et al.
 D665,365 S 8/2012 Lee et al.
 D681,569 S 5/2013 Yeh et al.
 D690,661 S 10/2013 Wisniewski et al.
 D694,195 S 11/2013 Gammon et al.
 D695,234 S 12/2013 Santiago et al.
 D707,223 S * 6/2014 Akana et al. D14/341
 D710,843 S * 8/2014 Akana et al. D14/341
 D714,277 S * 9/2014 Hindaly D14/250
 D720,740 S * 1/2015 Wicks et al. D14/250
 2003/0048599 A1 * 3/2003 Martin 361/683
 2006/0120068 A1 * 6/2006 Langlois et al. 362/157
 2007/0171625 A1 * 7/2007 Glazner 362/95
 2008/0132303 A1 * 6/2008 Naukkarinen et al. 455/575.4
 2009/0111537 A1 * 4/2009 Fujimoto et al. 455/575.3
 2009/0268321 A1 10/2009 Wilson
 2011/0157056 A1 * 6/2011 Karpfinger 345/173

OTHER PUBLICATIONS

Moonlight Night Light, image post date Apr, 30, 2008, site visited Mar. 14, 2015, (online), <<http://web.archive.org/web/20080501170217/http://www.reuk.co.uk/Moonlight-Night-Light-Product-Review.htm>>.*

* cited by examiner

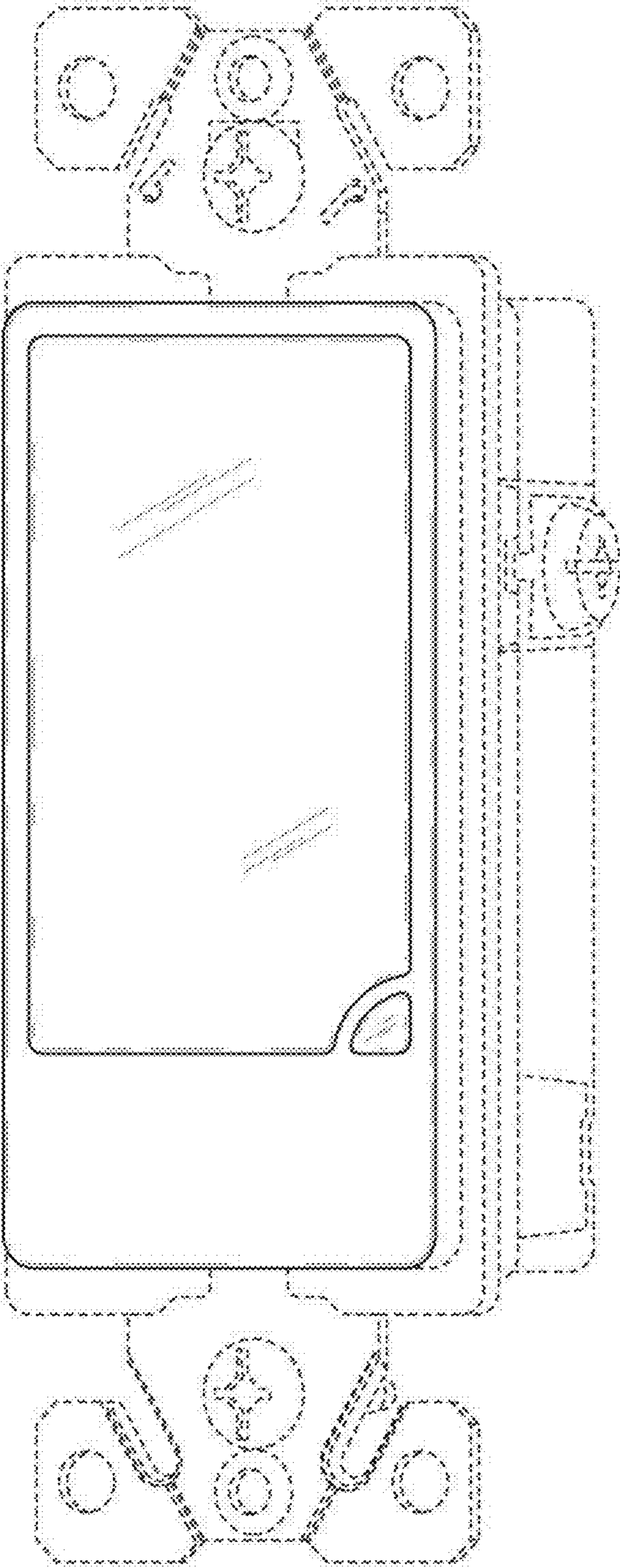


FIG. 1

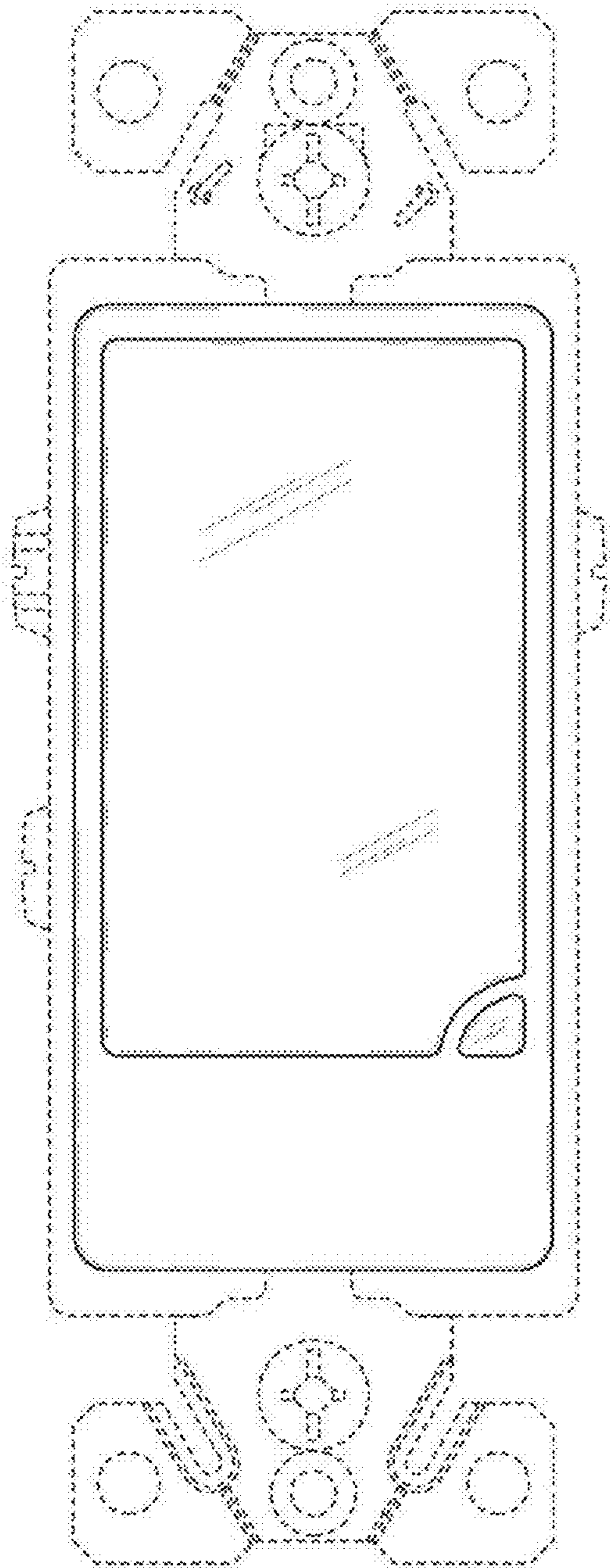


FIG. 2

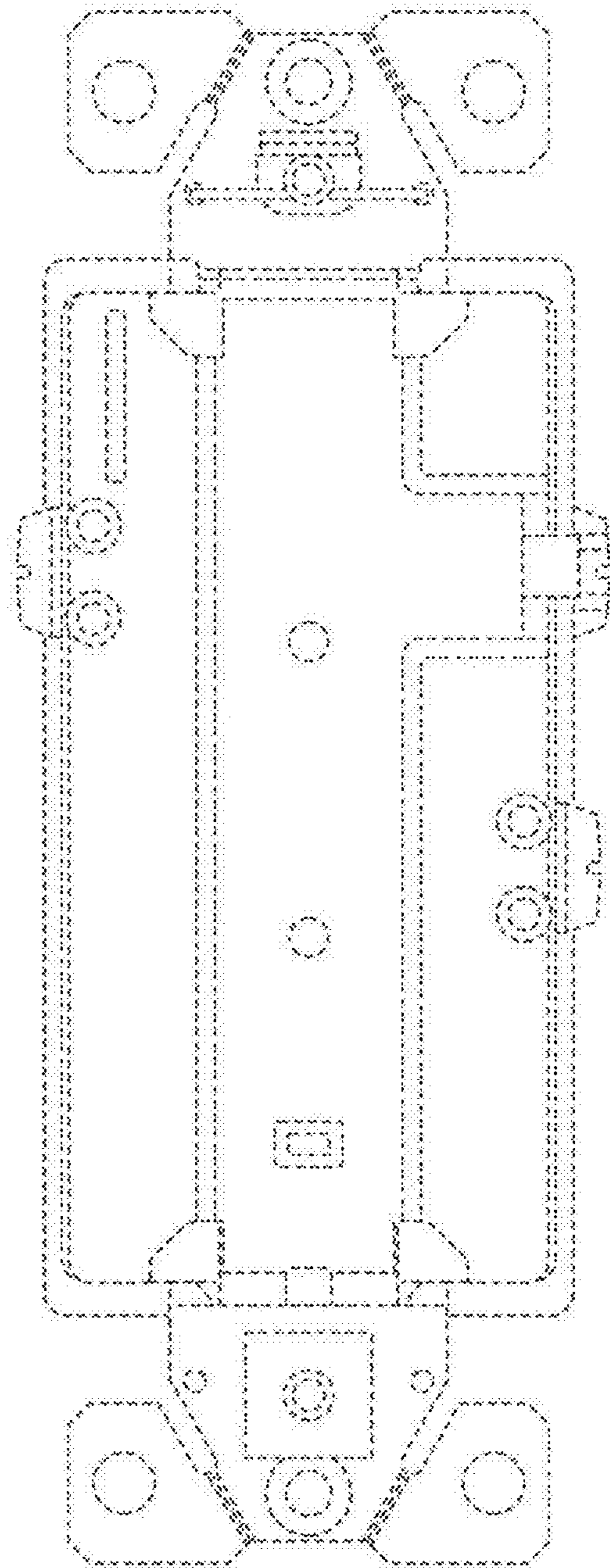


FIG. 3

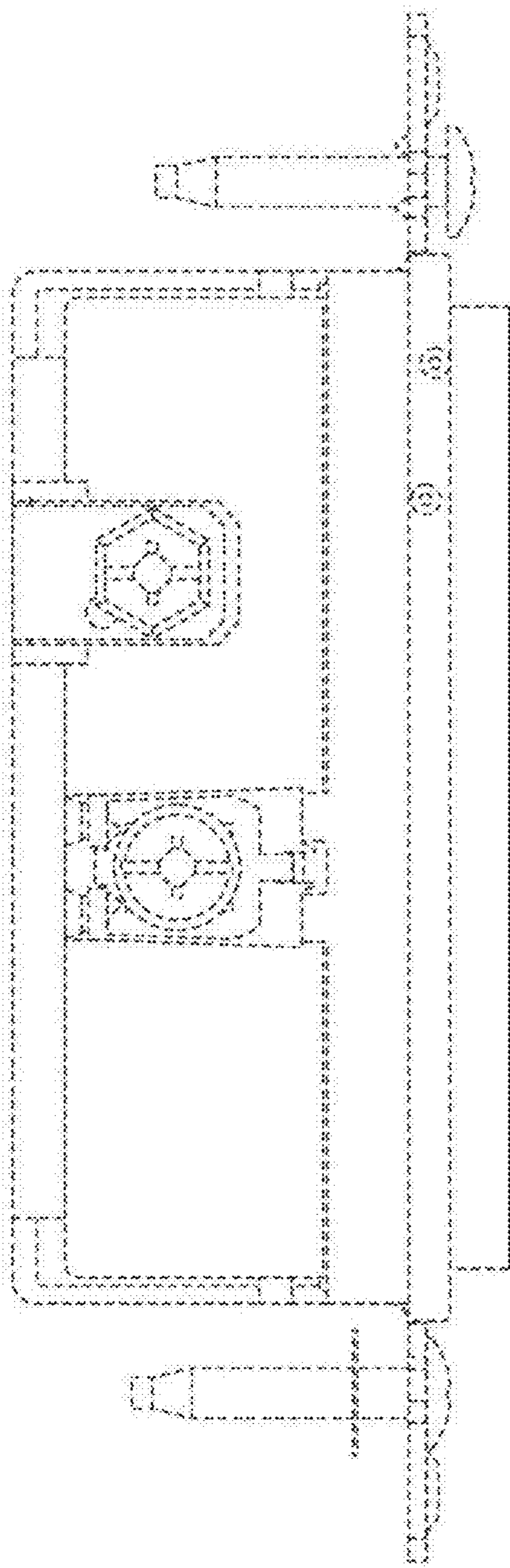


FIG. 4

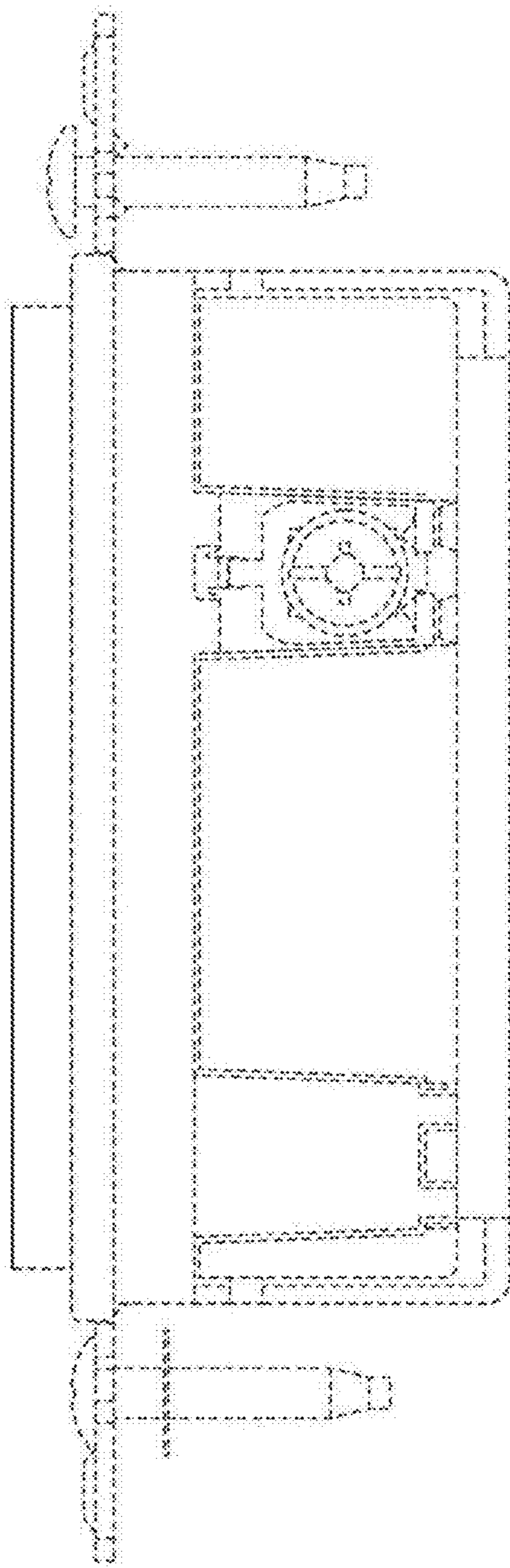


FIG. 5

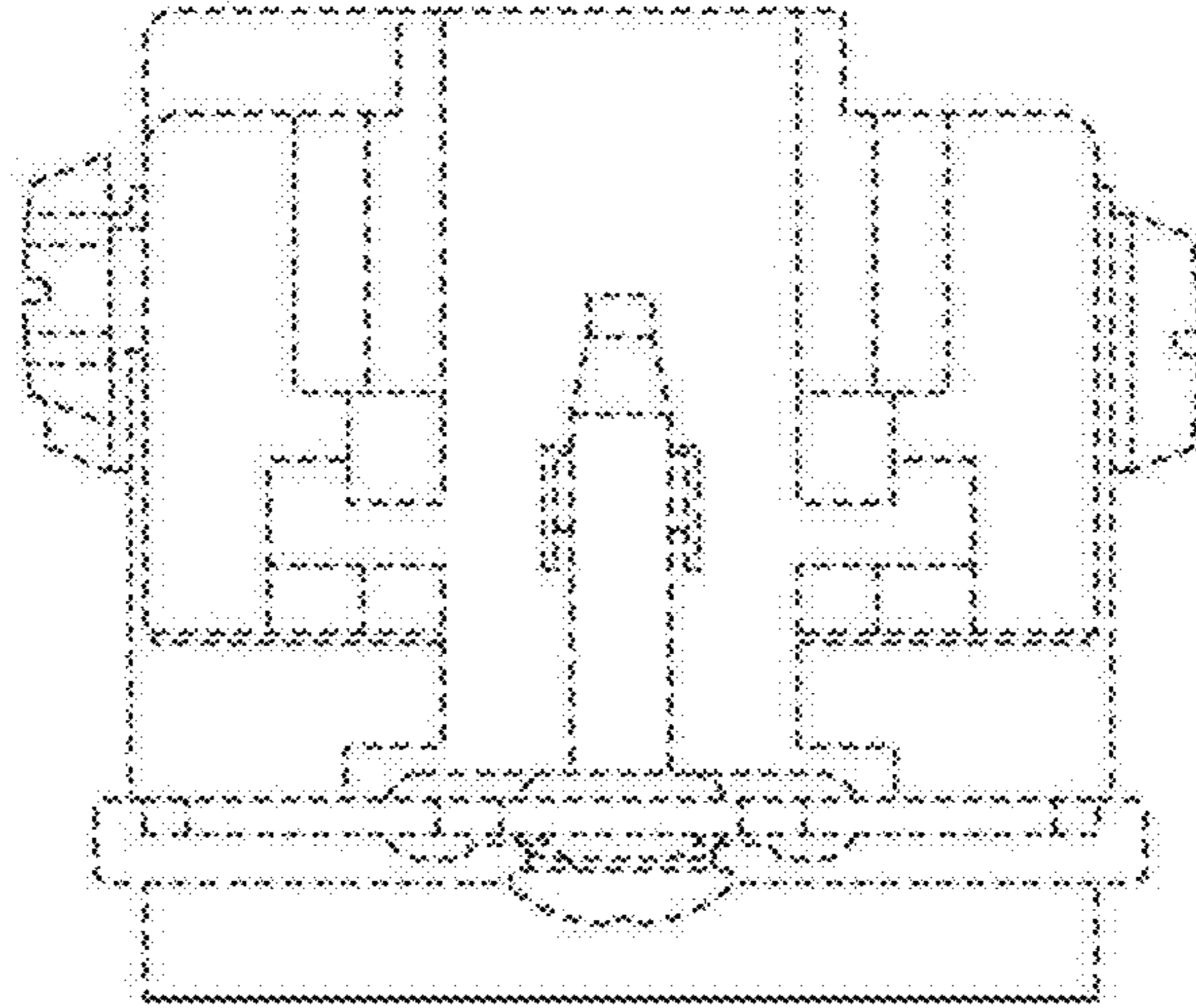


FIG. 6

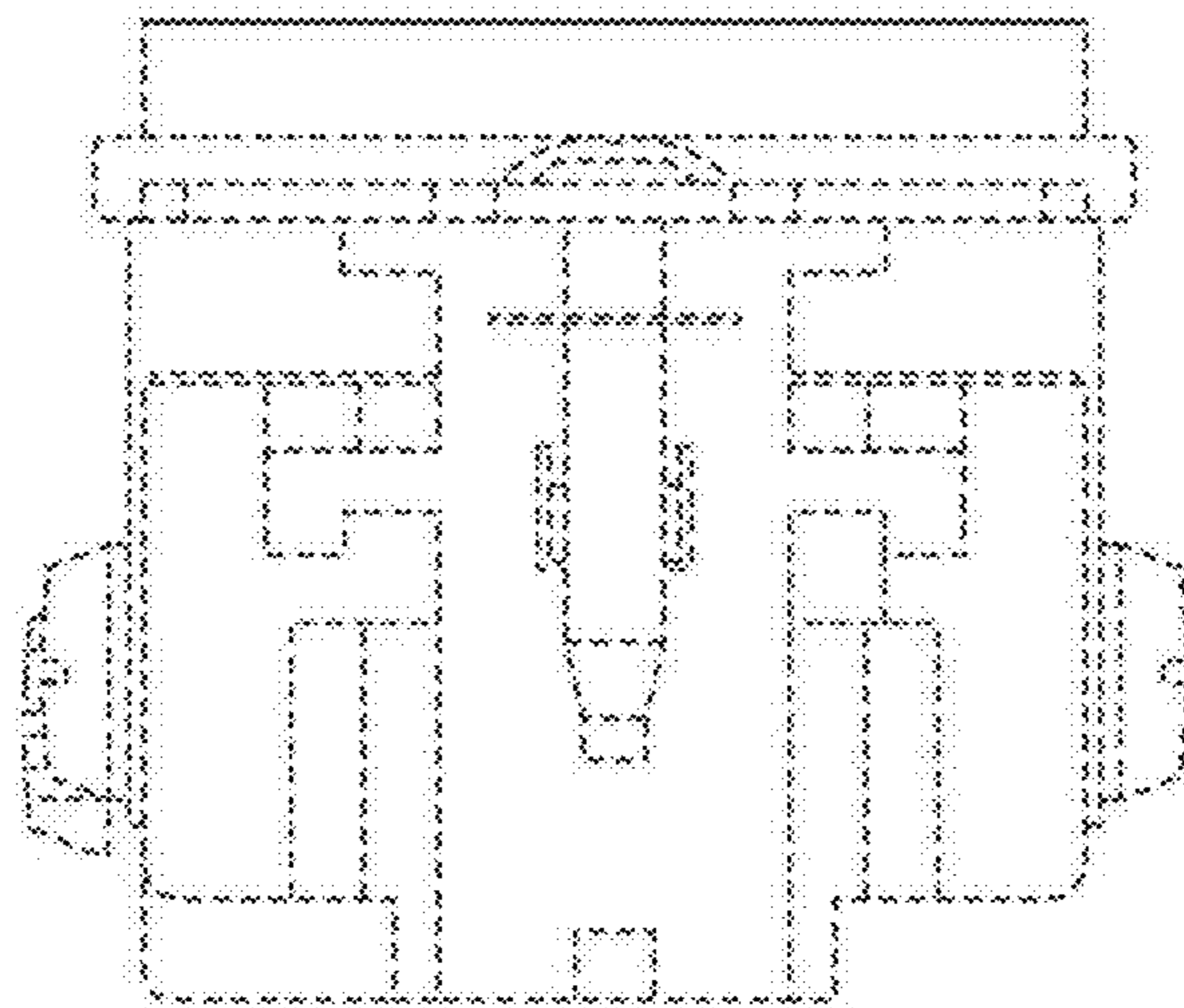


FIG. 7

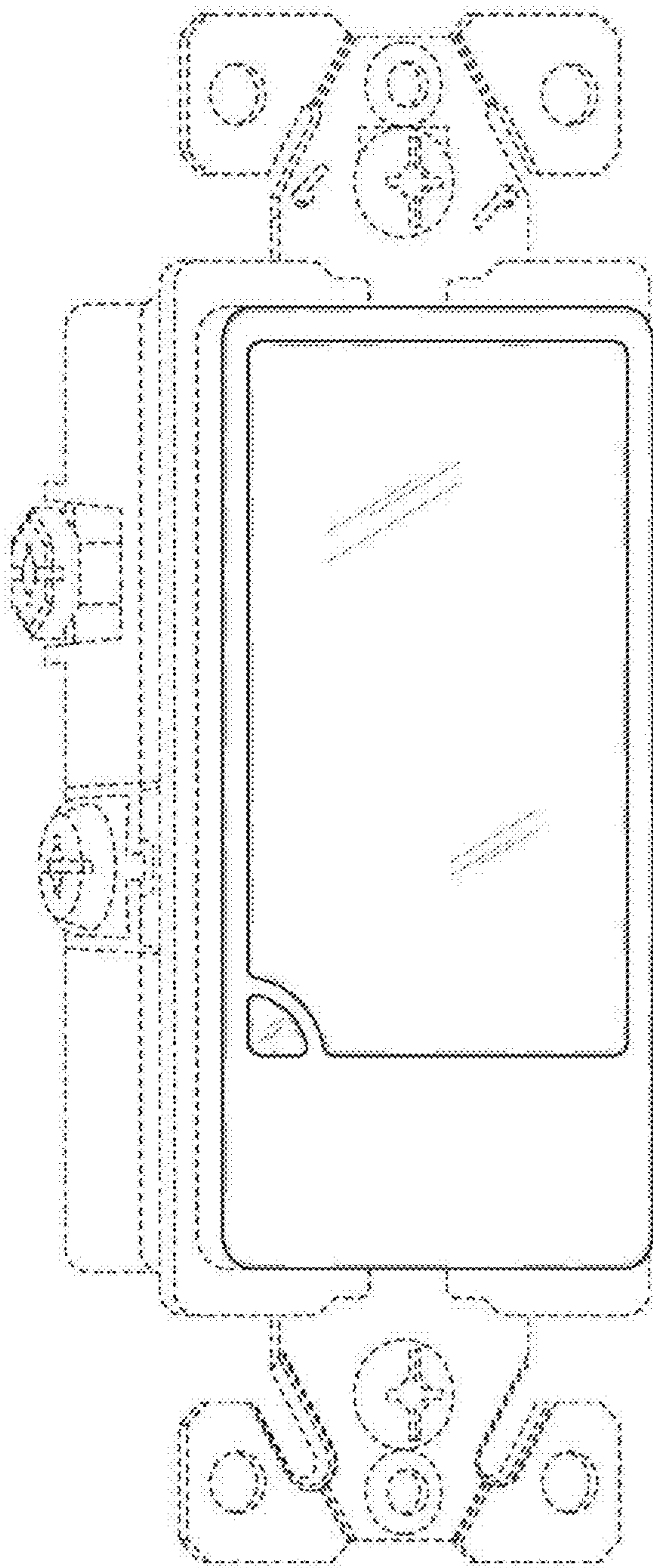


FIG. 8

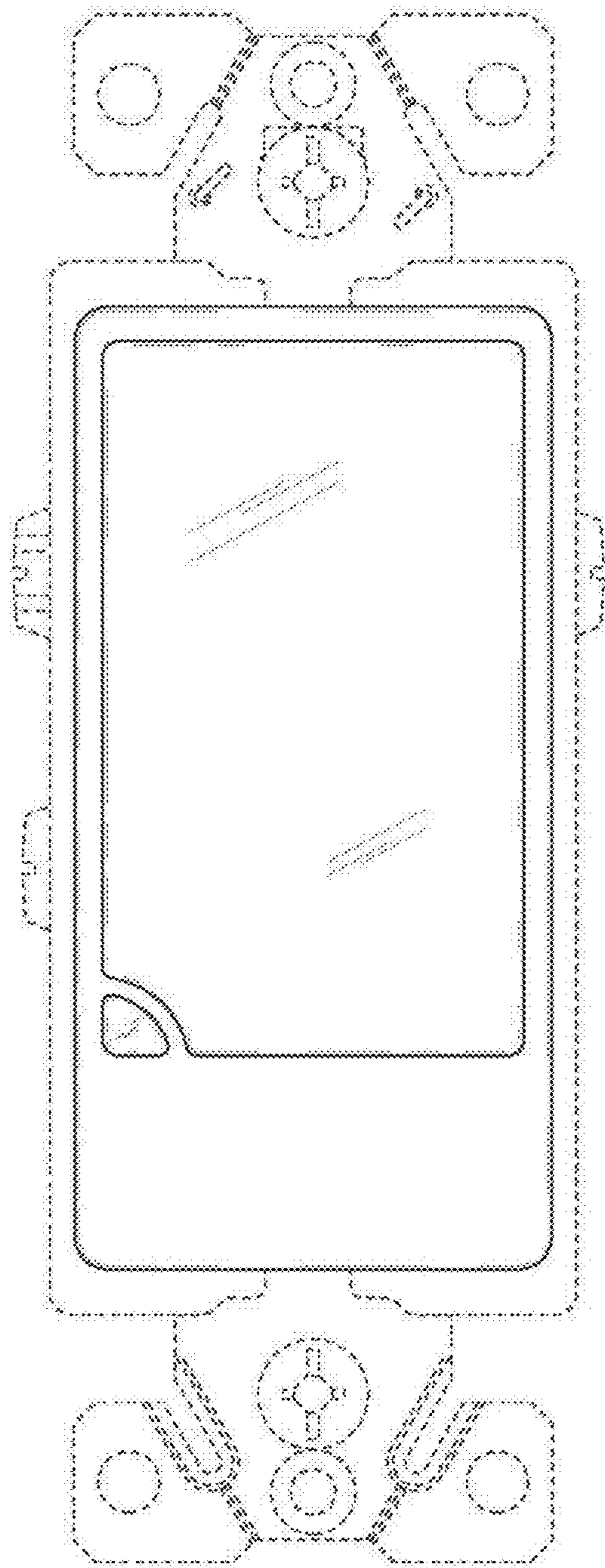


FIG. 9