



US00D735393S

(12) **United States Design Patent**
Hennessey et al.

(10) **Patent No.:** **US D735,393 S**
(45) **Date of Patent:** **** Jul. 28, 2015**

(54) **LIGHTING DEVICE**

(71) Applicant: **Eveready Battery Company, Inc.**, St. Louis, MO (US)

(72) Inventors: **Brian J. Hennessey**, Lakewood, OH (US); **Lai King Ma**, Lake Silver (HK)

(73) Assignee: **Eveready Battery Company, Inc.**, St. Louis, MO (US)

(**) Term: **14 Years**

(21) Appl. No.: **29/486,774**

(22) Filed: **Apr. 2, 2014**

(51) **LOC (10) Cl.** **26-03**

(52) **U.S. Cl.**
USPC **D26/89**

(58) **Field of Classification Search**
USPC D26/28, 80, 89
CPC F21S 8/033; F21S 8/04; F21S 9/02;
F21L 13/00
See application file for complete search history.

(56) **References Cited**

U.S. PATENT DOCUMENTS

2,149,635	A *	3/1939	Shepard et al.	362/490
D123,757	S *	12/1940	Dreyfuss	D26/76
3,038,062	A *	6/1962	Liberman	362/229
D467,367	S *	12/2002	Campagna	D26/28
D509,922	S *	9/2005	Yeh	D26/104
D559,429	S *	1/2008	Kuo	D26/89
D559,430	S *	1/2008	Kuo	D26/89
D567,430	S *	4/2008	Kingston et al.	D26/104
D607,135	S *	12/2009	Levine et al.	D26/80
D614,793	S *	4/2010	Chan	D26/80
D631,595	S *	1/2011	Carroll	D26/89
D678,798	S	3/2013	Ten Wolde		
D679,440	S *	4/2013	Smith	D26/80
D690,039	S *	9/2013	Wilson et al.	D26/28

FOREIGN PATENT DOCUMENTS

CN	3048953	10/1996
CN	3106658	3/1999
CN	3682870	8/2007
CN	300719751	12/2007
CN	201539707 U	8/2010
CN	301322422	8/2010
CN	301666864	9/2011
CN	301770784	12/2011
CN	302204619	11/2012
CN	302385625	4/2013
CN	203052479 U	7/2013
CN	302537095	8/2013
CN	302682464	12/2013
CN	302722145	1/2014
EP	1965124 A2	9/2008
EP	2194316 A1	6/2010
WO	D076516001	7/2011
WO	2013164035 A1	11/2013

* cited by examiner

Primary Examiner — Clare E Heflin

(74) *Attorney, Agent, or Firm* — Eveready Battery Company, Inc.

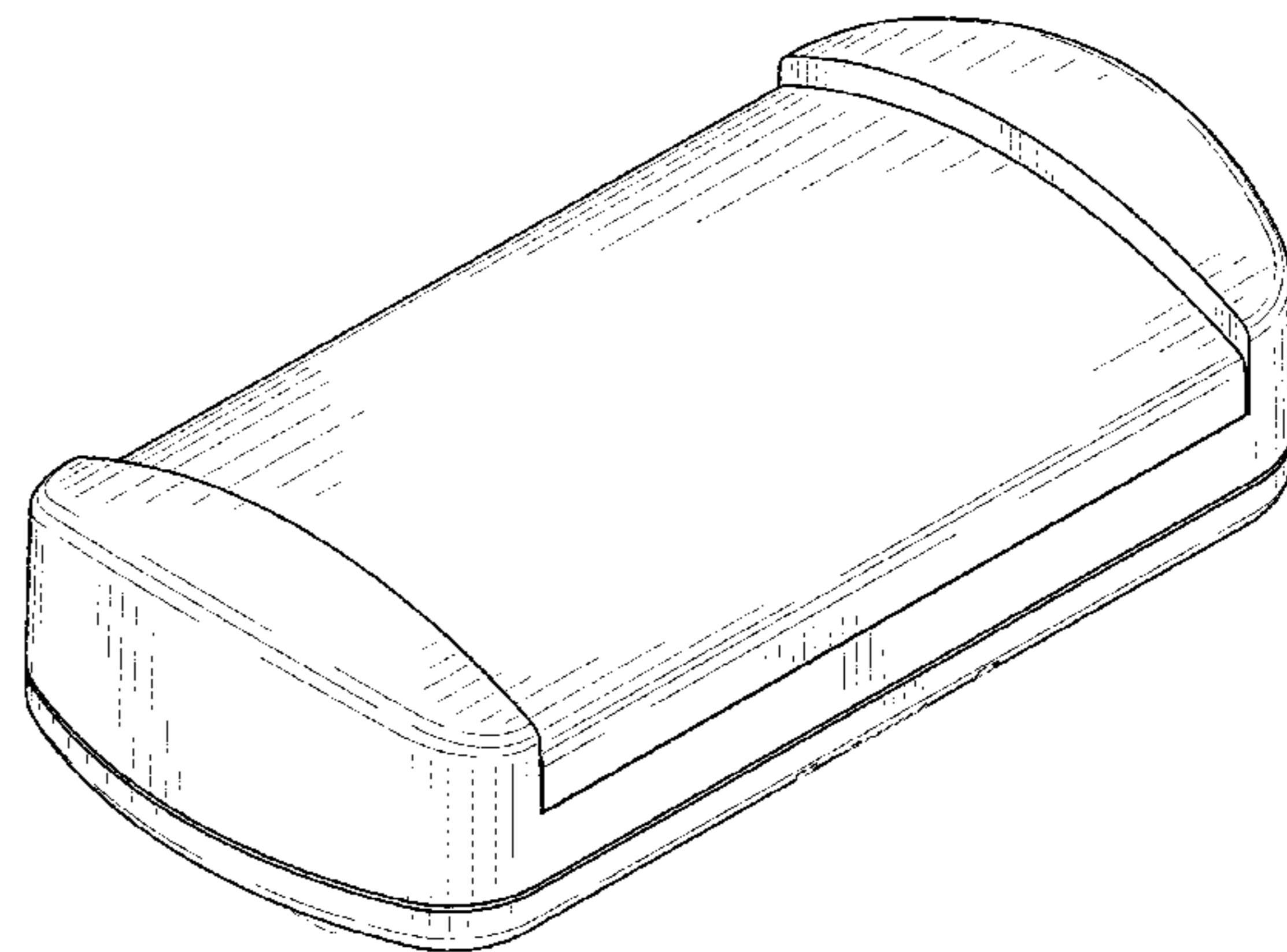
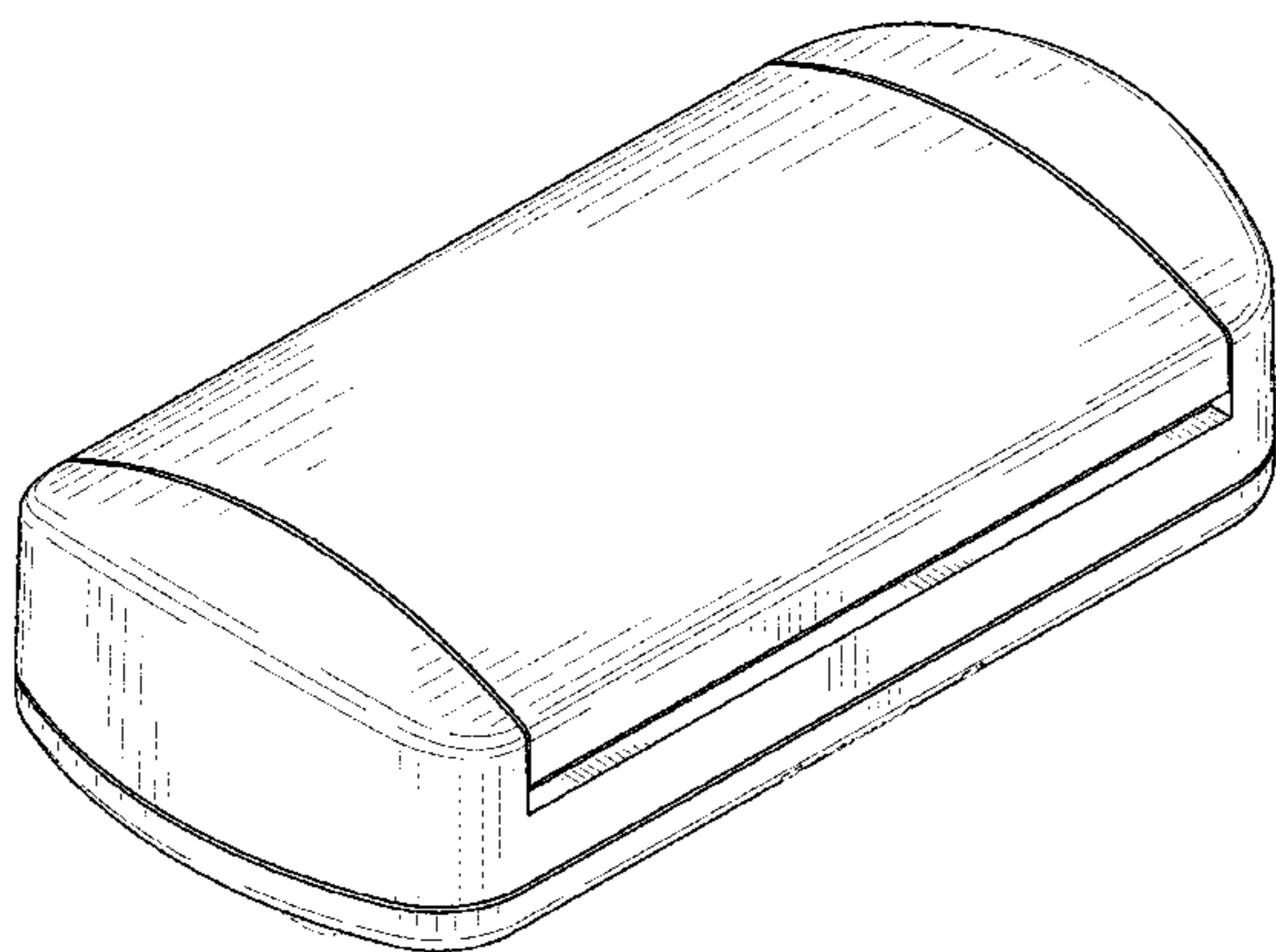
(57) **CLAIM**

We claim the ornamental design for a lighting device, as shown and described.

DESCRIPTION

FIG. 1 is a front perspective view of the design; FIG. 2 is a rear perspective view of the design; FIG. 3 is a front view of the design; FIG. 4 is a back view of the design; FIG. 5 is a left side view of the design; FIG. 6 is a right side view of the design; FIG. 7 is a top view of the design; FIG. 8 is a bottom view of the design; and, FIG. 9 is another front perspective view of the design with the lens shown in a depressed position. Any broken lines shown are for illustrative purposes only and form no part of the claimed design.

1 Claim, 4 Drawing Sheets



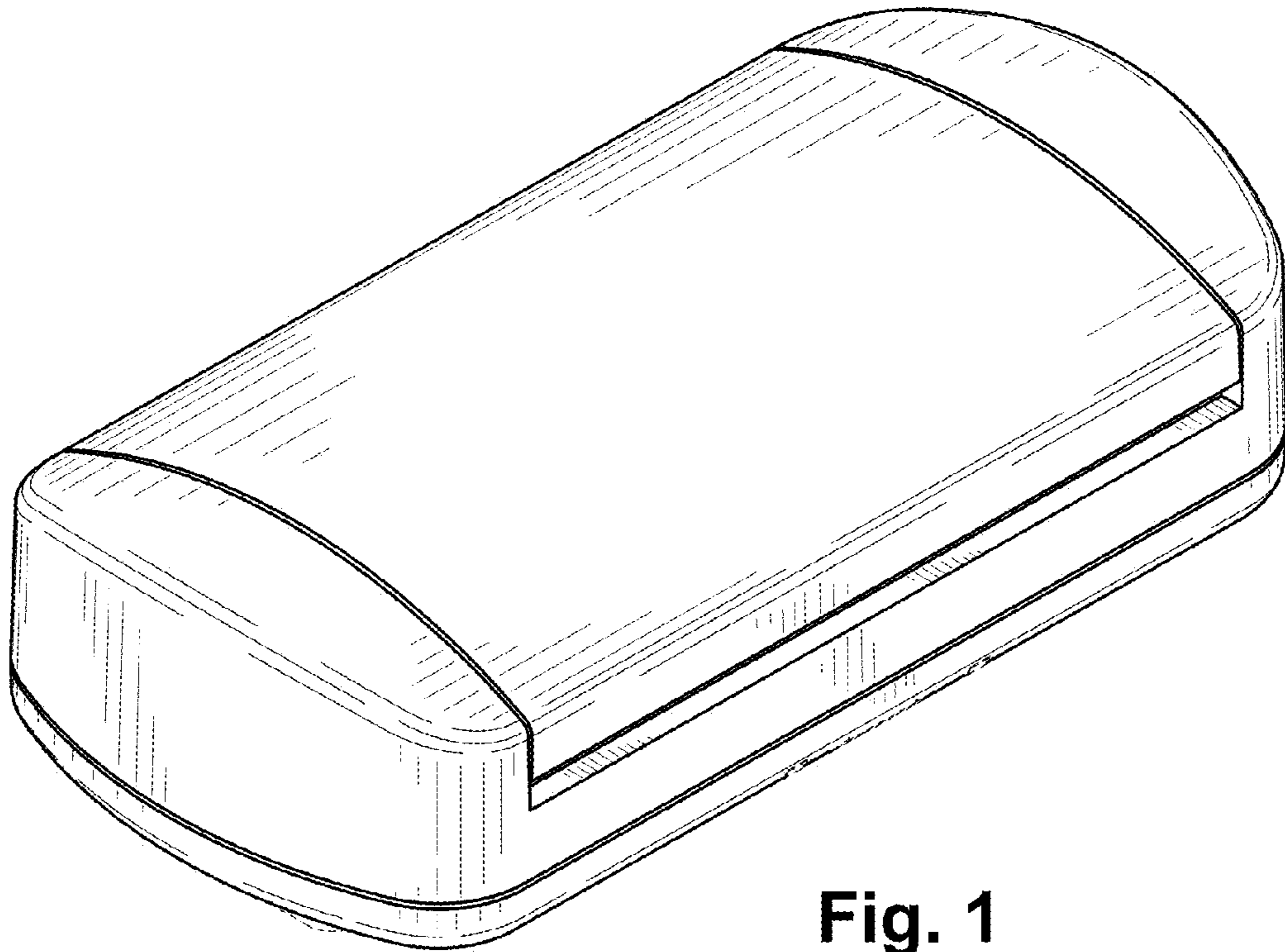


Fig. 1

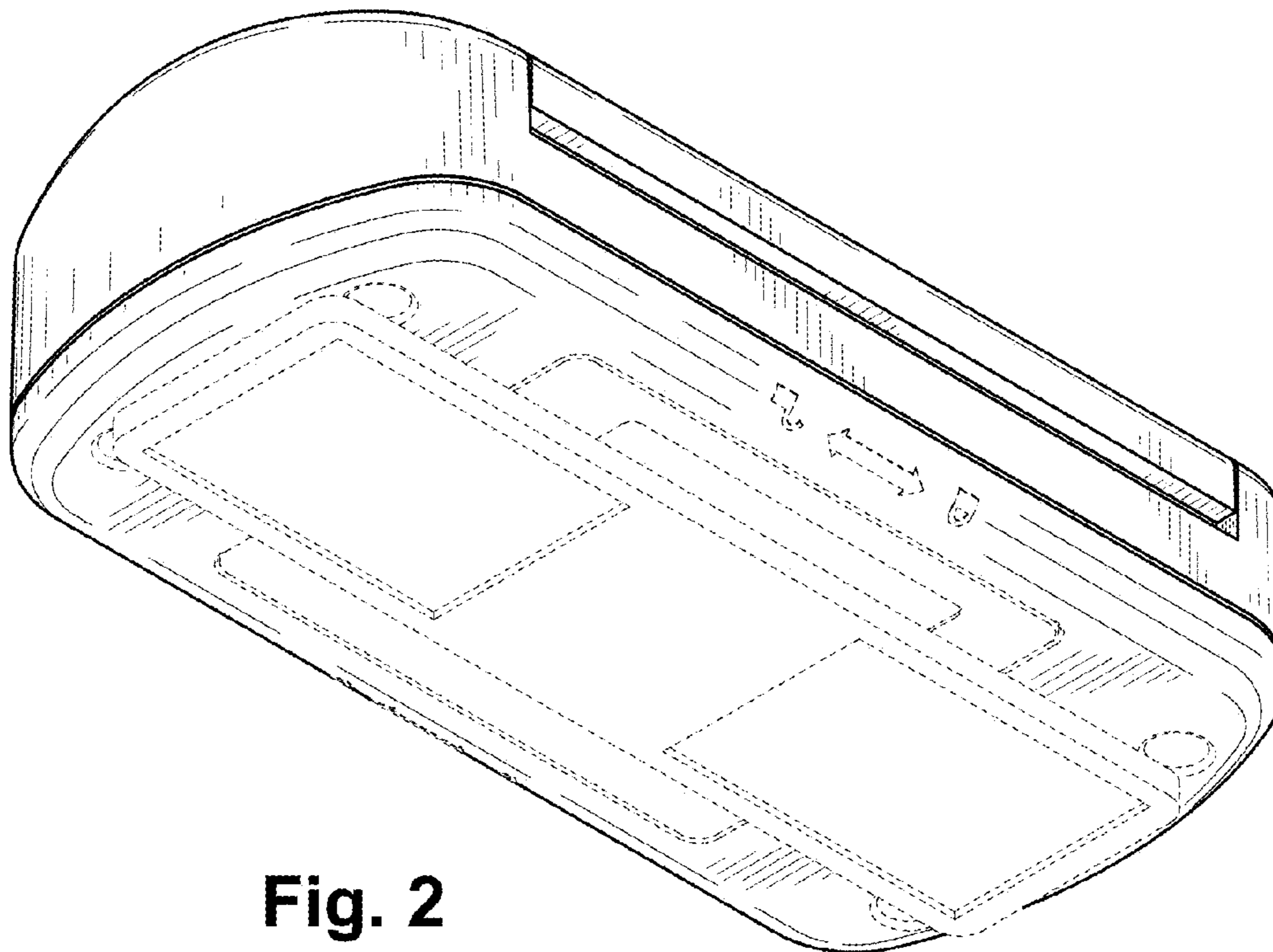


Fig. 2

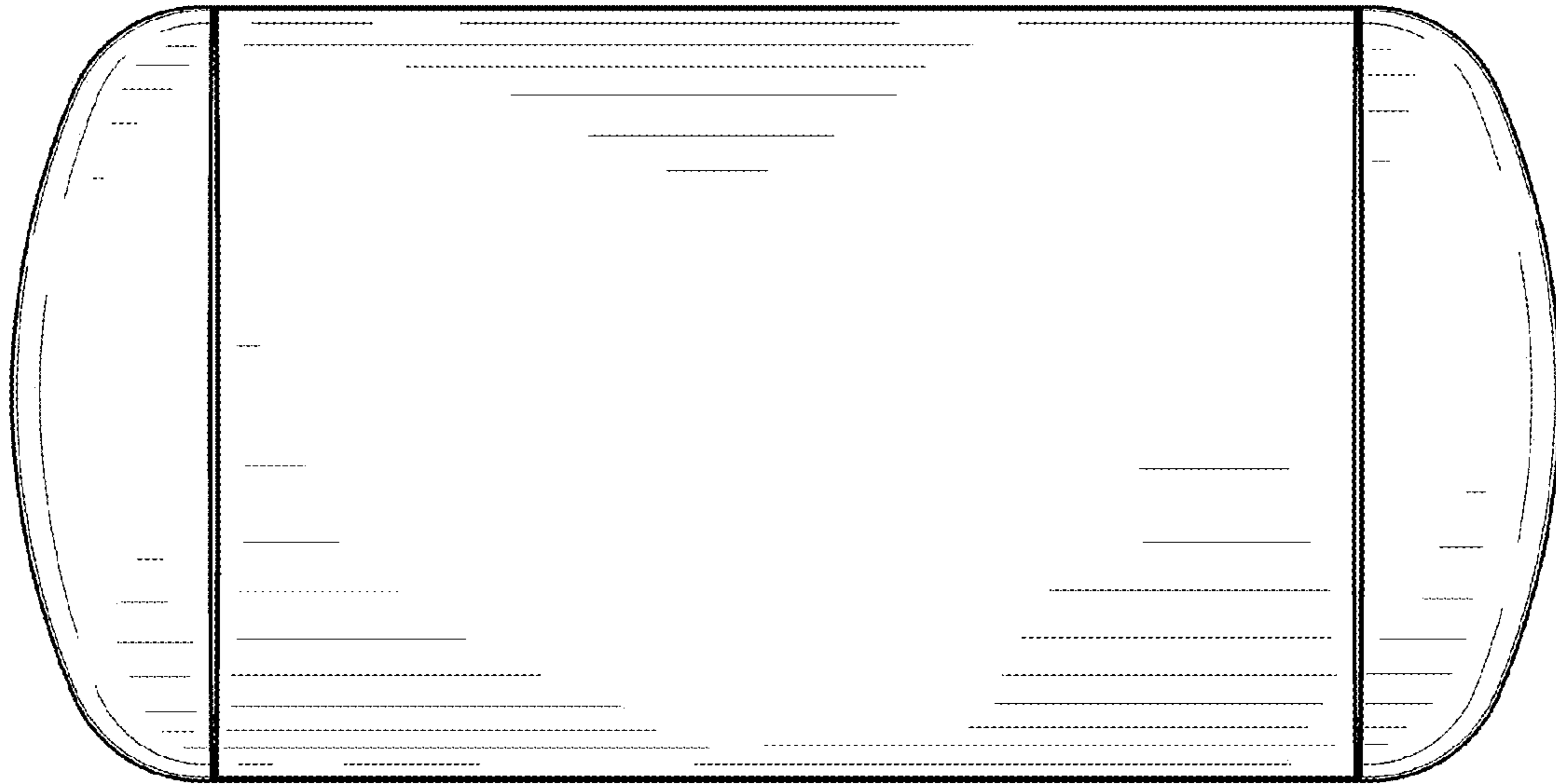


Fig. 3

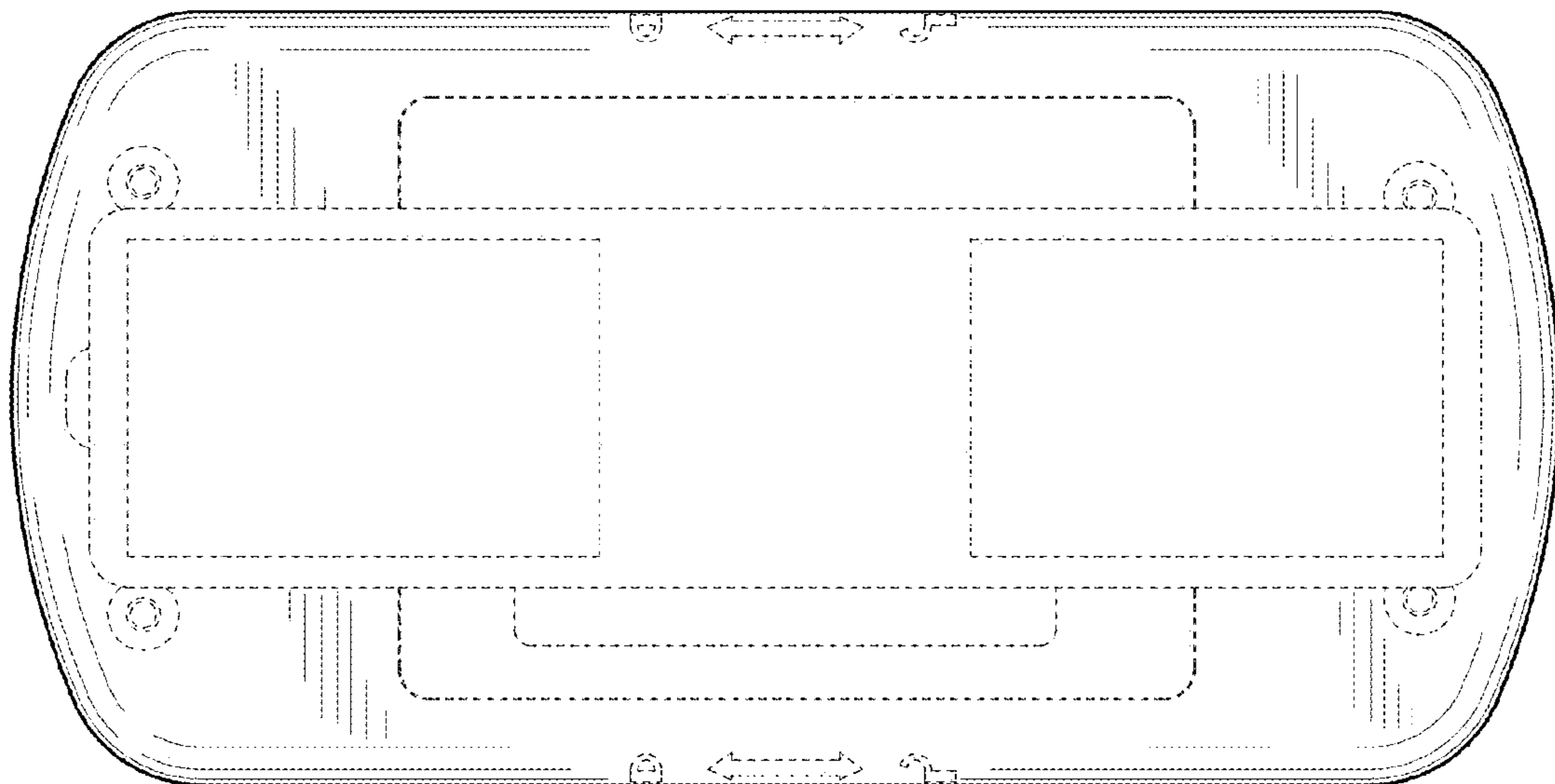


Fig. 4

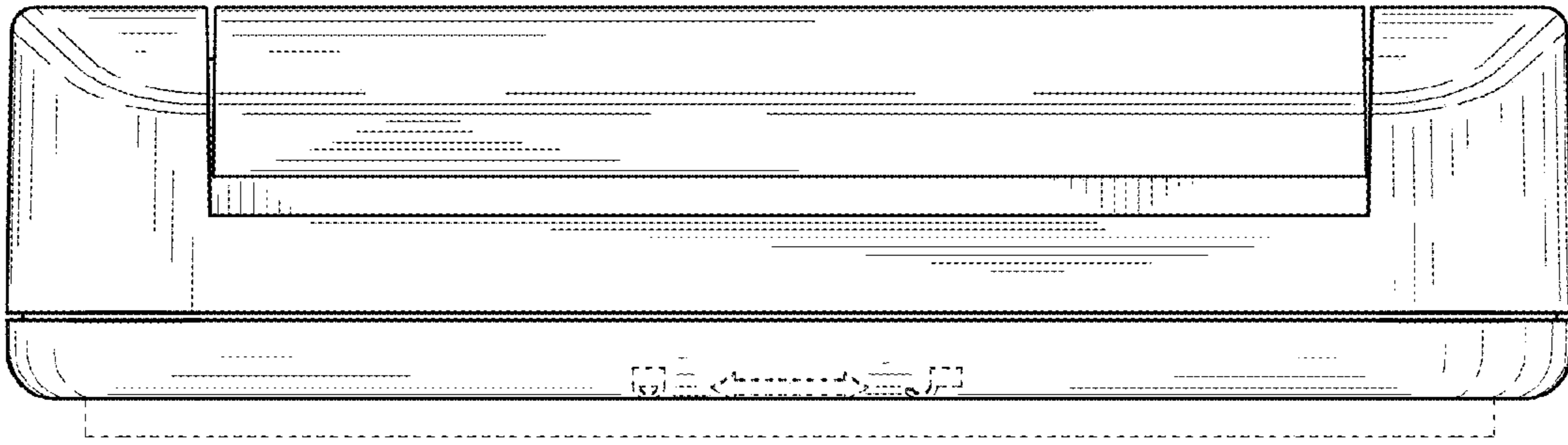


Fig. 5

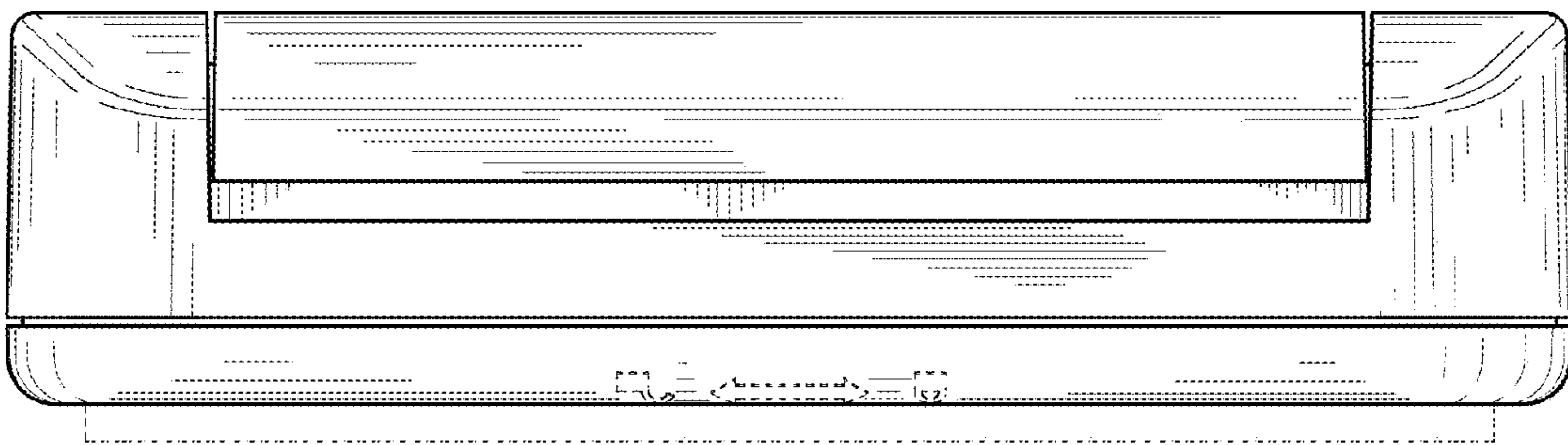


Fig. 6

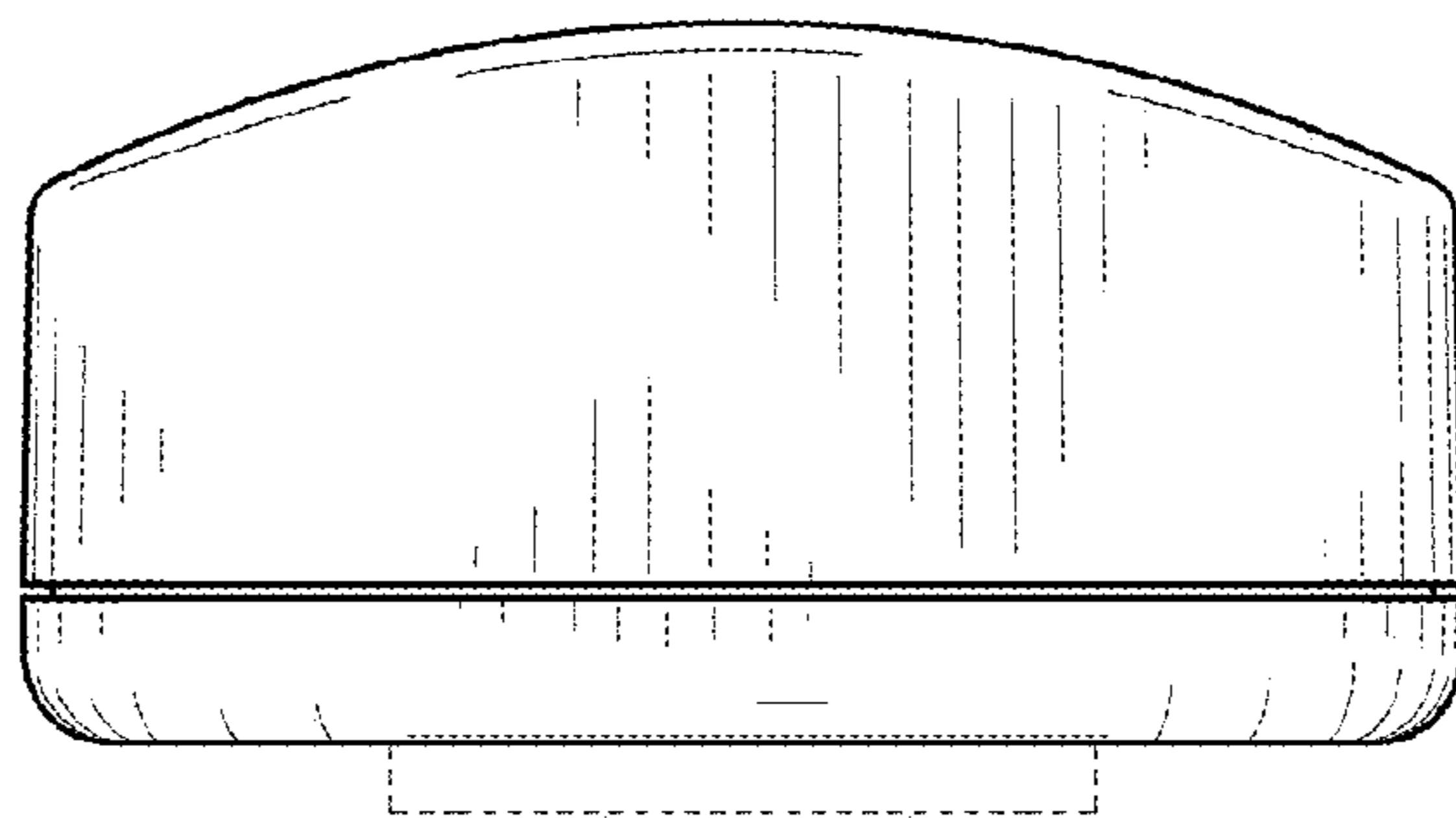


Fig. 7

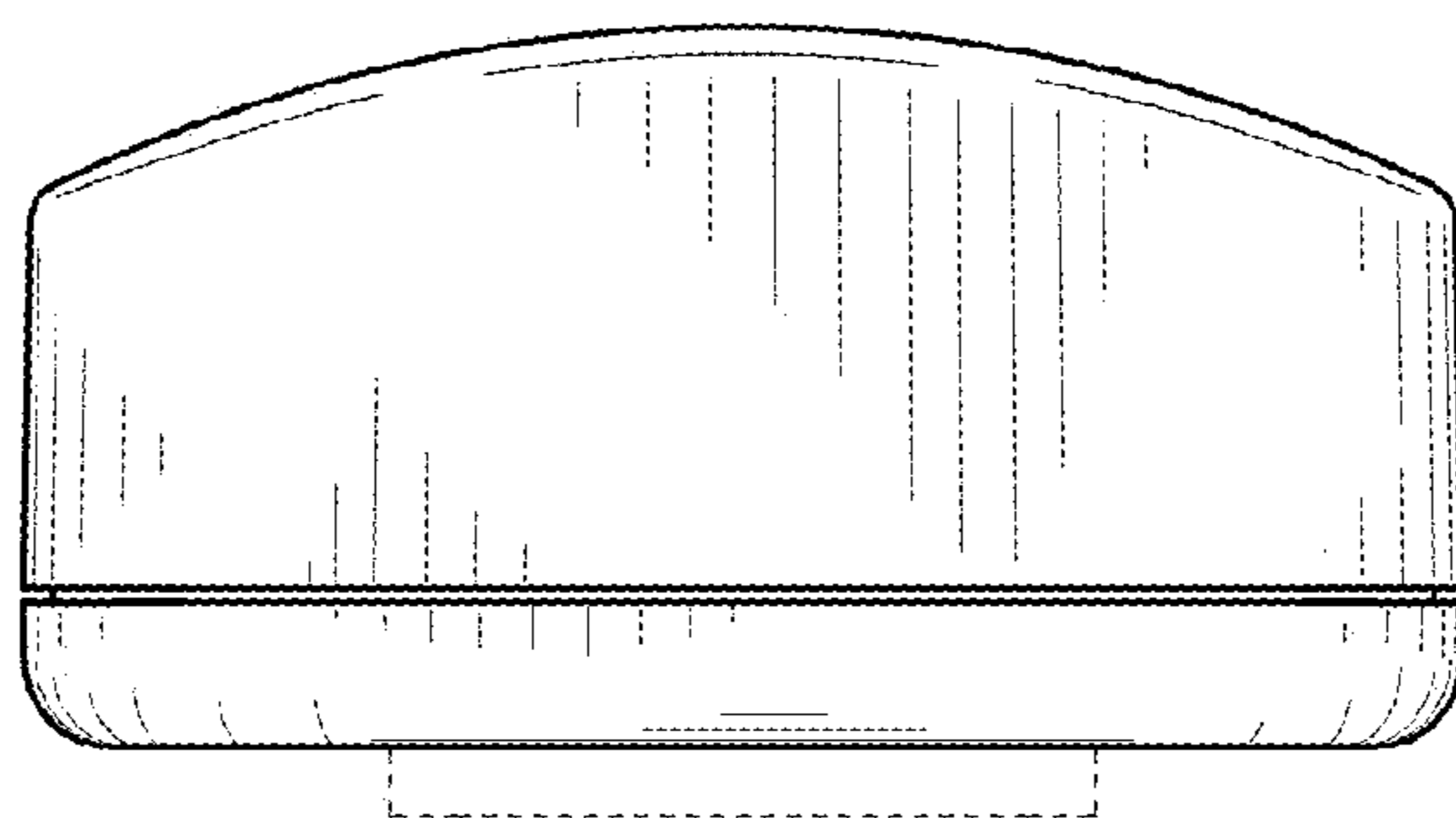


Fig. 8

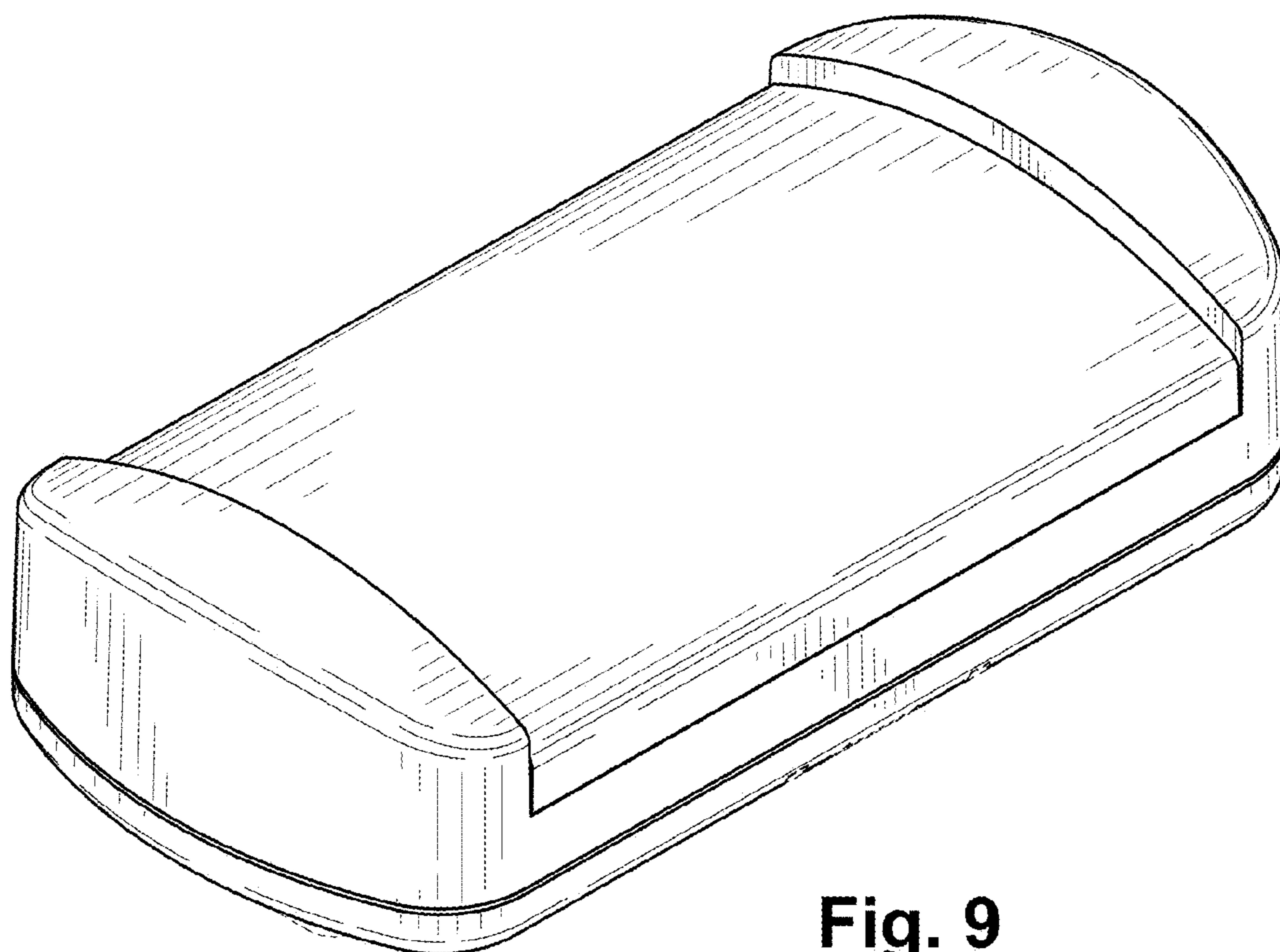


Fig. 9