



US00D735392S

(12) **United States Design Patent**  
**Ng et al.**

(10) **Patent No.:** **US D735,392 S**  
(45) **Date of Patent:** **\*\* Jul. 28, 2015**

(54) **LAMP**

(71) Applicants: **Edmund Ng**, Monrovia, CA (US);  
**Kenneth Ng**, Monrovia, CA (US)

(72) Inventors: **Edmund Ng**, Monrovia, CA (US);  
**Kenneth Ng**, Monrovia, CA (US)

(73) Assignee: **KONCEPT TECHNOLOGIES, INC.**,  
Monrovia, CA (US)

(\*\*) Term: **14 Years**

(21) Appl. No.: **29/485,071**

(22) Filed: **Mar. 14, 2014**

(51) **LOC (10) Cl.** ..... **26-03**

(52) **U.S. Cl.**  
USPC ..... **D26/76**

(58) **Field of Classification Search**  
USPC ..... D26/3, 24, 35, 39, 42, 71, 72, 75, 76,  
D26/78, 79, 80, 81, 82, 83, 85, 86, 88, 90,  
D26/113, 118, 119, 120, 121, 122, 138;  
362/23.07, 23.09, 23.16, 217.01,  
362/217.02, 217.05, 217.08, 217.09, 218,  
362/249.02, 260, 311.02, 555, 612, 614,  
362/800

CPC ..... F21S 2/00; F21S 4/00; F21S 4/003;  
F21S 4/005; F21S 4/006; F21S 4/007; F21S  
4/008; F21S 6/00; F21S 8/00; F21S 8/024;  
F21S 8/026; F21S 8/031; F21S 8/033; F21S  
8/035-8/037; F21S 8/04; F21S 8/043; F21S  
8/063

See application file for complete search history.

(56) **References Cited**

U.S. PATENT DOCUMENTS

D502,565	S	*	3/2005	Hetfield	.....	D26/76
D520,667	S	*	5/2006	Jae-Sung et al.	.....	D26/76
D556,359	S	*	11/2007	Cunius	.....	D26/76
7,331,687	B1	*	2/2008	Noh	.....	362/219
D610,293	S	*	2/2010	Klaus	.....	D26/76
D617,488	S	*	6/2010	Cho	.....	D26/76
D626,267	S	*	10/2010	Ng	.....	D26/76
7,845,838	B2	*	12/2010	Kuo et al.	.....	362/552
D654,612	S	*	2/2012	Ng	.....	D26/80
D655,031	S	*	2/2012	Ng et al.	.....	D26/80
D663,065	S	*	7/2012	Beghelli	.....	D26/76
D681,873	S	*	5/2013	Hoch et al.	.....	D26/141
D693,048	S	*	11/2013	Ng et al.	.....	D26/89
D695,942	S	*	12/2013	Ng et al.	.....	D26/75
D701,343	S	*	3/2014	Ng	.....	D26/76
D702,388	S	*	4/2014	Ng et al.	.....	D26/75

\* cited by examiner

*Primary Examiner* — George D Kirschbaum

*Assistant Examiner* — Natasha Vujcic

(74) *Attorney, Agent, or Firm* — Steins & Associates, P.C.

(57) **CLAIM**

We claim, the ornamental design for a lamp, as shown and described.

**DESCRIPTION**

FIG. 1 is a perspective view of the lamp;

FIG. 2 is a top view of the lamp;

FIG. 3 is a bottom view of the lamp;

FIG. 4 is a left side view of the lamp;

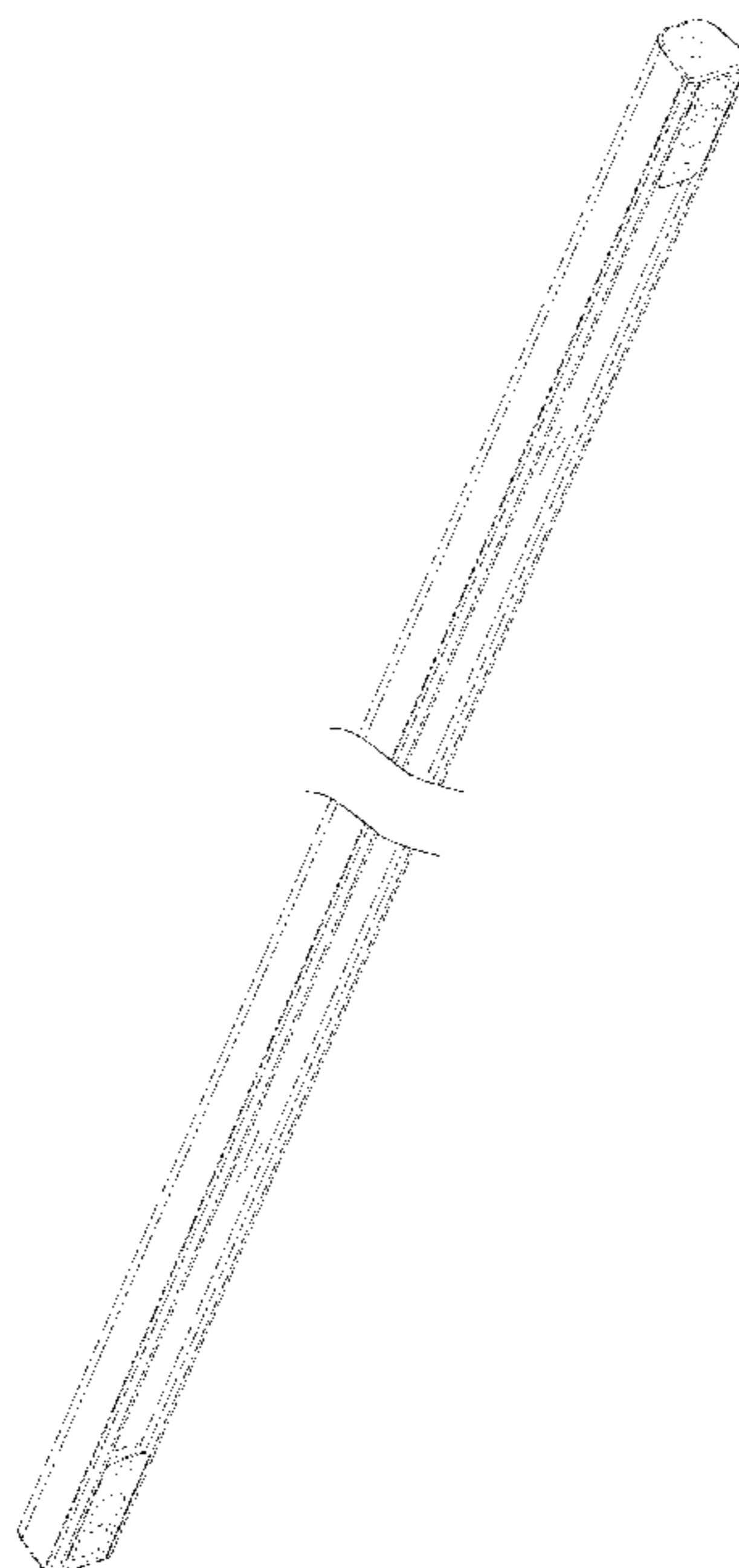
FIG. 5 is a right side view of the lamp;

FIG. 6 is a front view of the lamp; and,

FIG. 7 is a back view of the lamp.

The break lines indicate that the appearance of any portion of the lamp between the break lines forms no part of the claimed design.

**1 Claim, 4 Drawing Sheets**



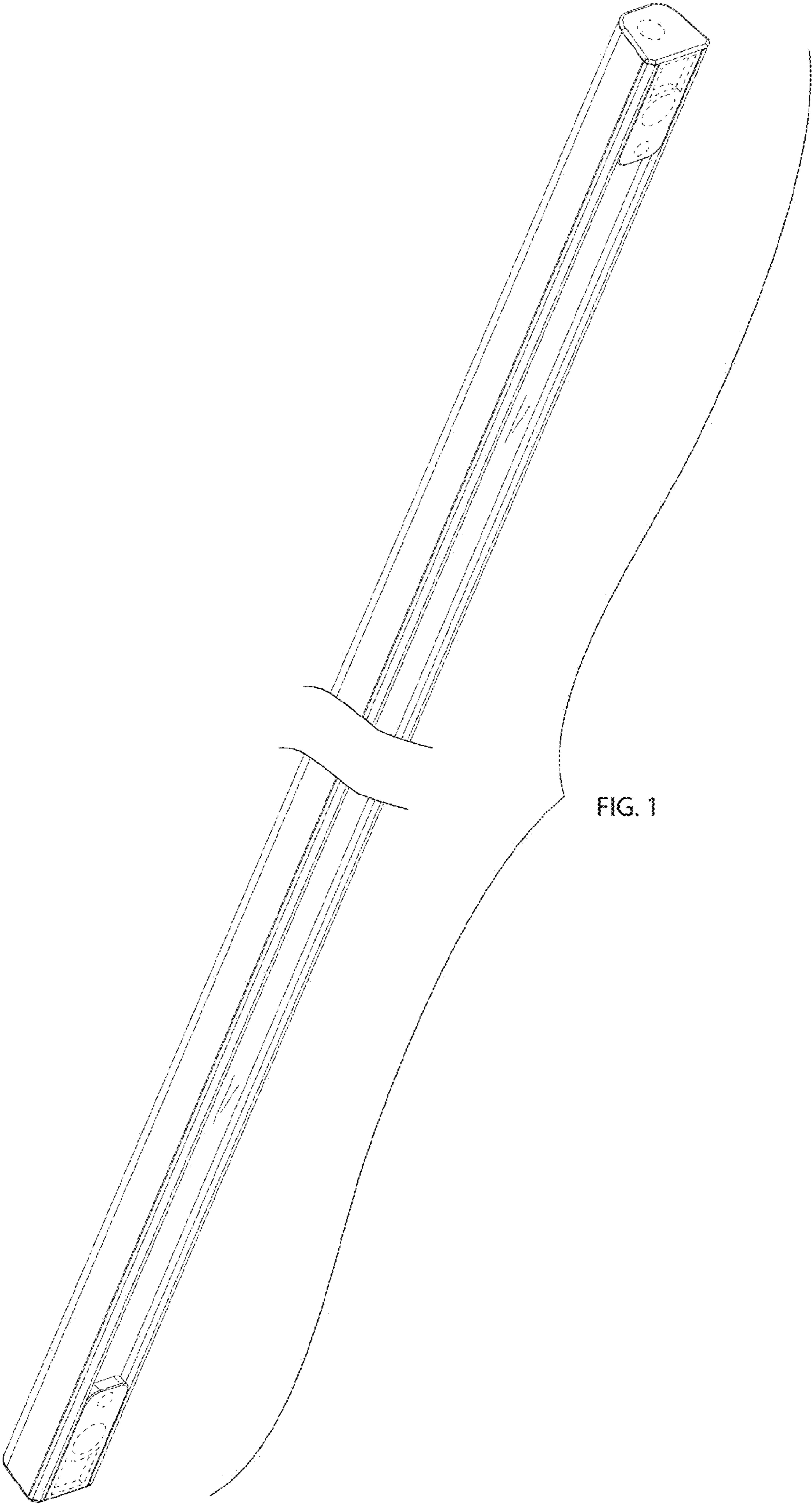
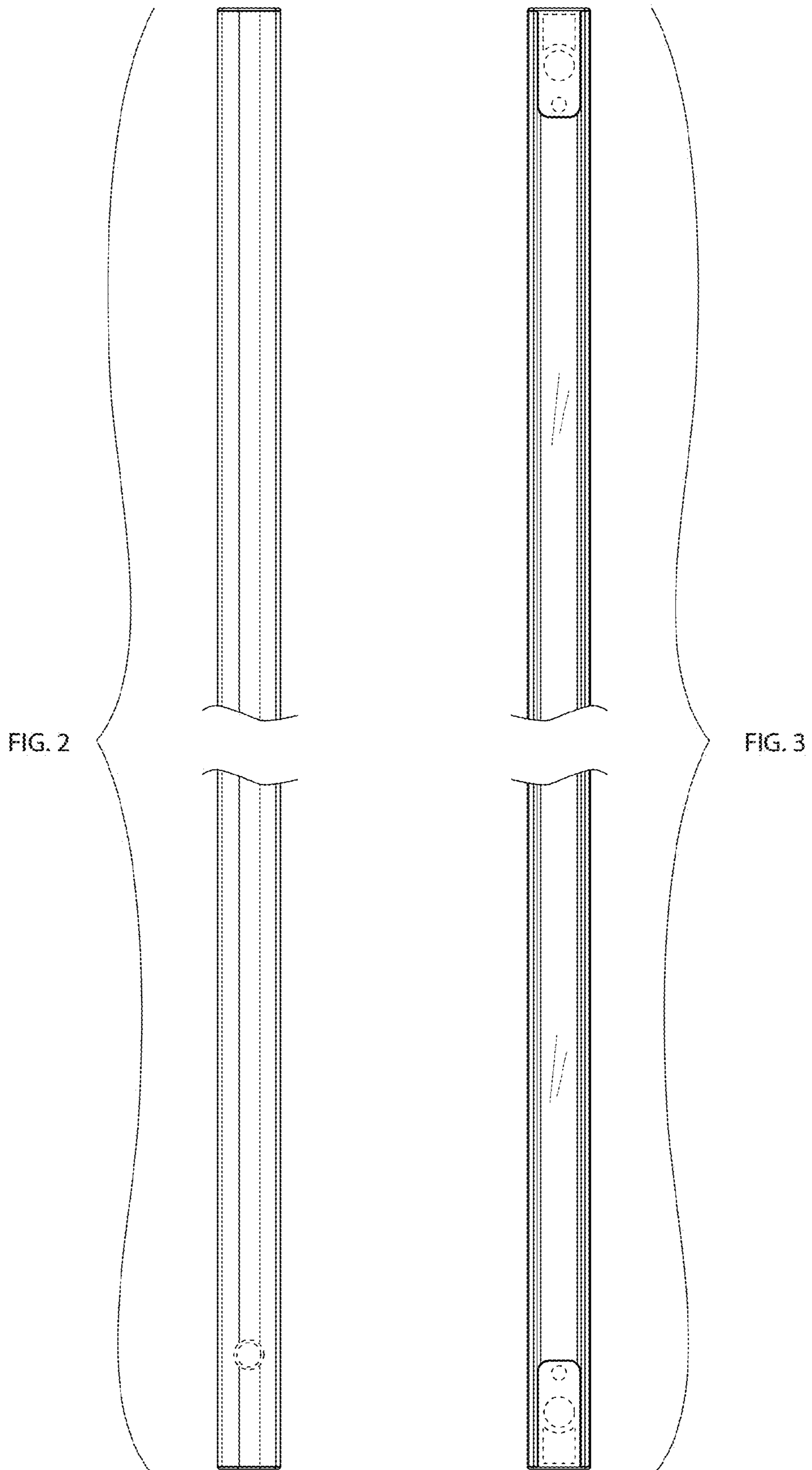


FIG. 1



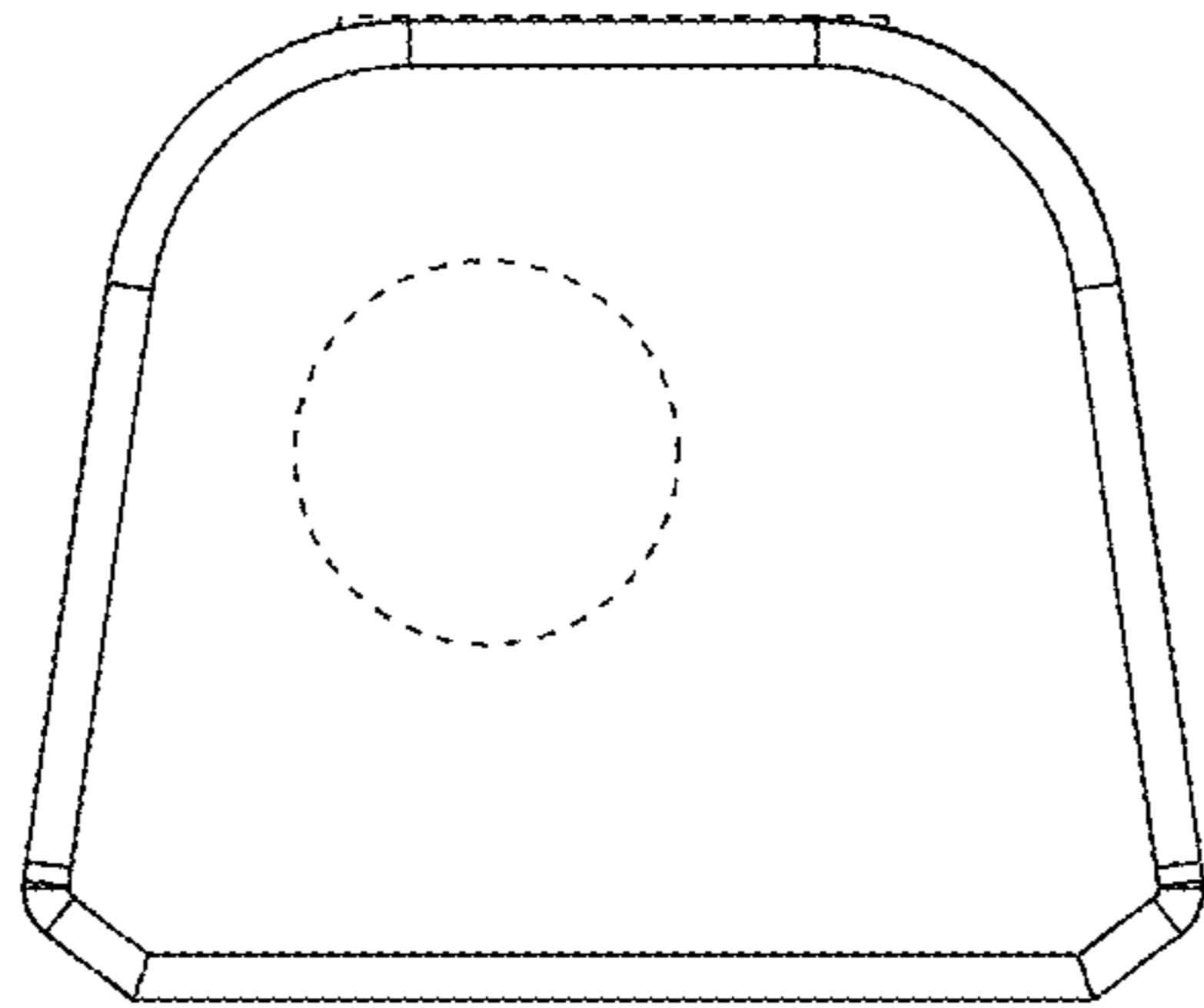


Fig. 4

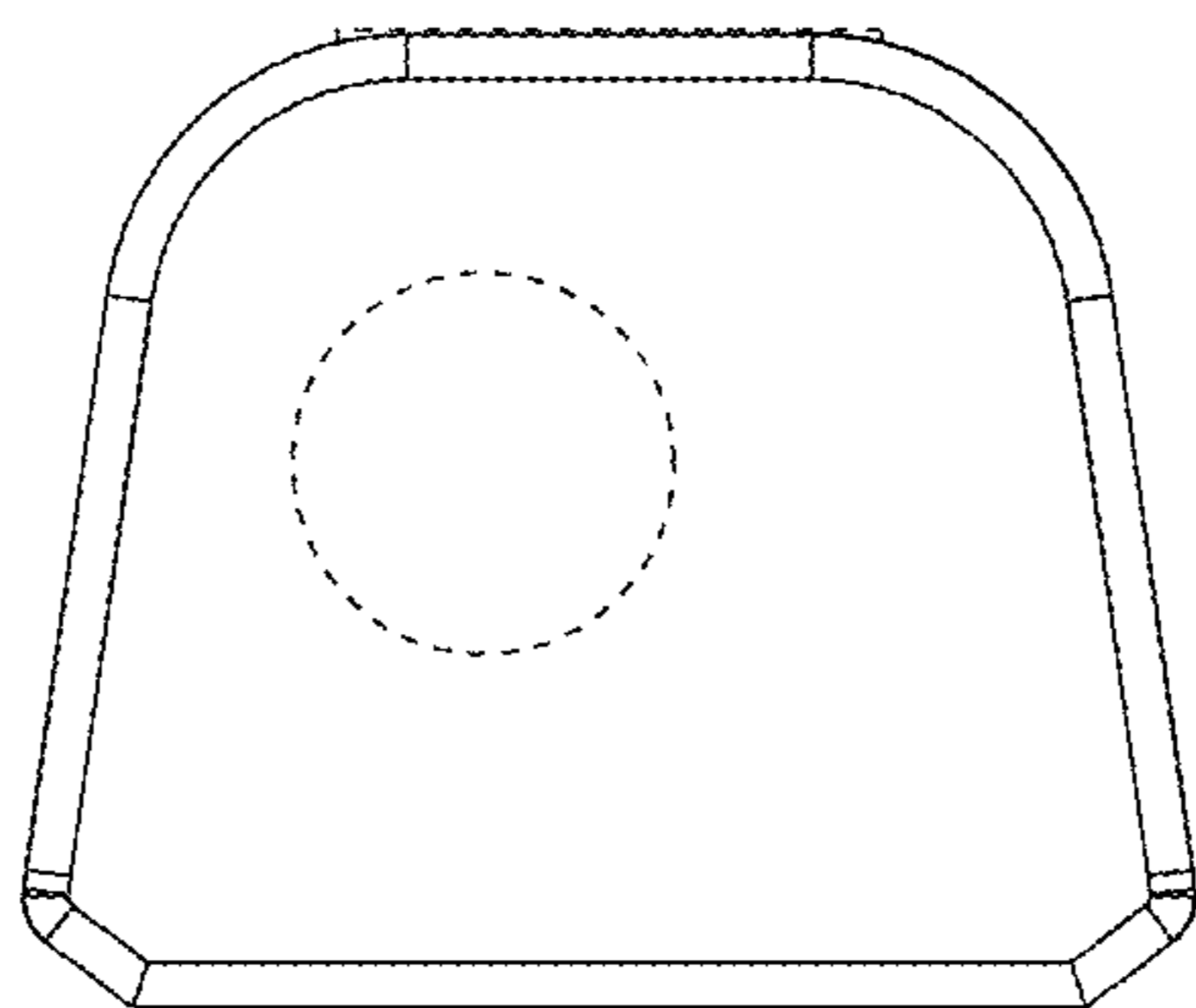


Fig. 5

