



US00D735390S

(12) **United States Design Patent**  
**Yanping**

(10) **Patent No.:** **US D735,390 S**  
(45) **Date of Patent:** **\*\* Jul. 28, 2015**

(54) **LINEAR LED LIGHT**

(71) Applicant: **Cledlight Semiconductor Lighting Co., Ltd.**, Longhua, Shenzhen (CN)

(72) Inventor: **Liu Yanping**, Shenzhen (CN)

(73) Assignee: **Cledlight Semiconductor Lighting Co., Ltd.**, Longhua, Shenzhen (CN)

(\*\*) Term: **14 Years**

(21) Appl. No.: **29/462,694**

(22) Filed: **Aug. 7, 2013**

(30) **Foreign Application Priority Data**

Feb. 7, 2013 (CA) ..... 149646

(51) **LOC (10) Cl.** ..... **26-05**

(52) **U.S. Cl.**  
USPC ..... **D26/74**

(58) **Field of Classification Search**

USPC ..... D26/74, 24, 72, 75, 76, 78, 79, 81, 82,  
D26/88, 89, 91, 113, 118, 119, 120, 138,  
D26/141, 142; 362/145, 146, 147, 148, 150,  
362/151, 153, 153.1, 217.01, 223, 217.05,  
362/217.07, 217.06, 217.15, 249.02,  
362/296.07, 296.08, 311.02, 373, 800  
CPC ..... F21S 8/02; F21S 8/026; F21Y 2111/002;  
F21Y 2103/03; F21Y 2103/003; F21Y  
2105/00; F21Y 2105/001

See application file for complete search history.

(56) **References Cited**

**U.S. PATENT DOCUMENTS**

3,250,909 A 5/1966 Oldenburger  
3,263,069 A 7/1966 Krucki et al.  
3,275,823 A 9/1966 Zimmerman et al.  
4,185,410 A 1/1980 Kristiansen  
4,776,553 A 10/1988 Kobayashi  
4,974,130 A 11/1990 Friedman  
D397,480 S \* 8/1998 Herst et al. .... D26/77

5,893,630 A 4/1999 Mosquera  
6,193,394 B1 \* 2/2001 Herst et al. .... 362/260  
6,984,054 B2 1/2006 Lai  
D543,651 S \* 5/2007 Hargreaves ..... D26/76  
D565,515 S \* 4/2008 Chen ..... D13/180  
D572,400 S \* 7/2008 Benensohn ..... D26/76  
D580,087 S \* 11/2008 Couture et al. .... D26/76  
D586,029 S \* 2/2009 Copeland ..... D26/83  
D586,492 S 2/2009 Copeland  
D592,785 S 5/2009 Bisberg et al.  
D595,444 S \* 6/2009 Shimomura ..... D26/76  
D607,598 S \* 1/2010 Xiao et al. .... D26/80  
D615,236 S 5/2010 Beghelli  
D617,935 S 6/2010 Miletich et al.  
7,731,386 B2 6/2010 Levine  
D626,267 S \* 10/2010 Ng ..... D26/76  
D627,914 S \* 11/2010 Couture ..... D26/76  
D642,326 S \* 7/2011 Leadford et al. .... D26/138  
8,025,418 B2 9/2011 Zick  
8,206,002 B1 \* 6/2012 Olson ..... 362/153.1  
D690,839 S 10/2013 Wang  
2005/0018435 A1 1/2005 Selkee et al.  
2011/0058374 A1 3/2011 Tsai et al.  
2011/0211330 A1 9/2011 Wang  
2013/0229795 A1 9/2013 Wang et al.

\* cited by examiner

*Primary Examiner* — Angela J Lee

(74) *Attorney, Agent, or Firm* — Maine Cernota & Rardin

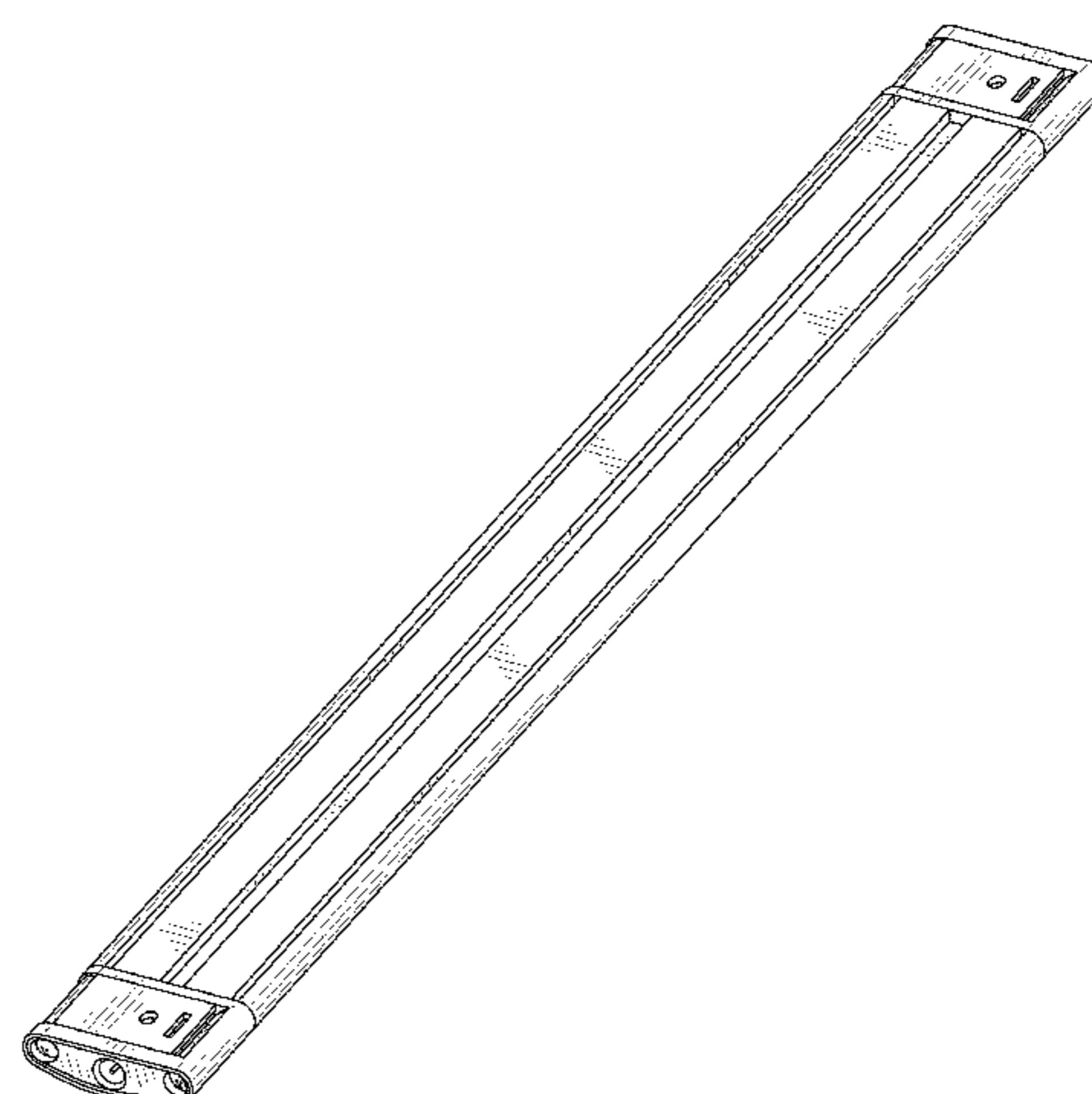
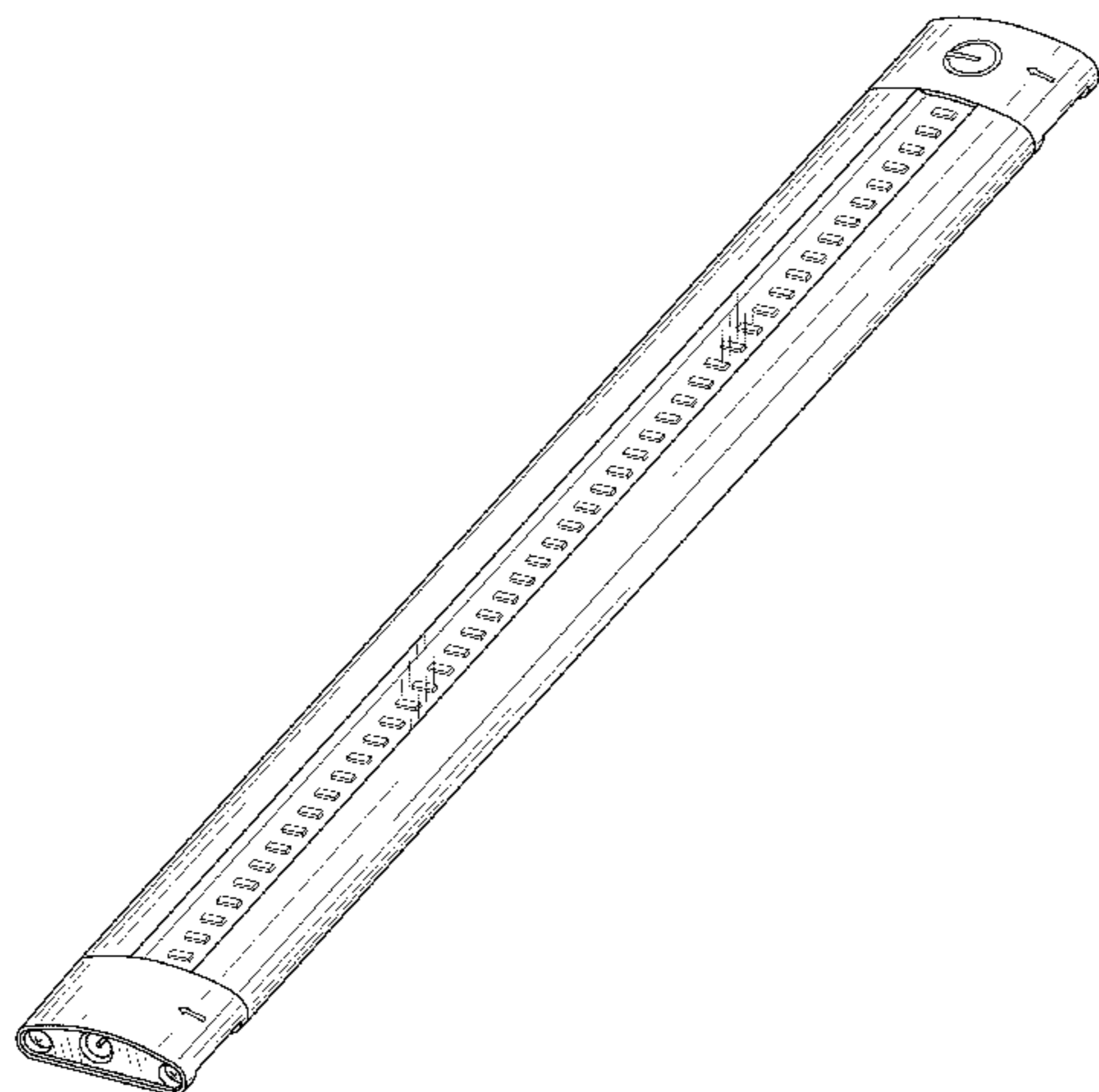
(57) **CLAIM**

The ornamental design for a linear LED light, as shown and described.

**DESCRIPTION**

FIG. 1 is a top view of a linear LED light, showing our new design;  
FIG. 2 is a bottom view thereof;  
FIG. 3 is a right view thereof;  
FIG. 4 is a left view thereof;  
FIG. 5 is a front side view thereof;  
FIG. 6 is a back side view thereof;  
FIG. 7 is a bottom perspective thereof; and,  
FIG. 8 is a top perspective view thereof.

**1 Claim, 4 Drawing Sheets**



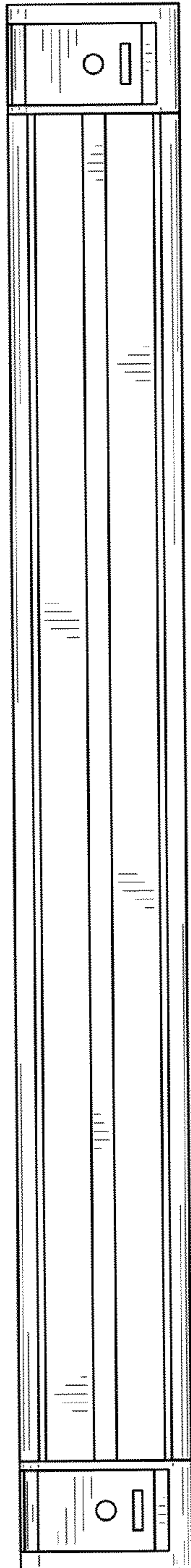


FIG. 1

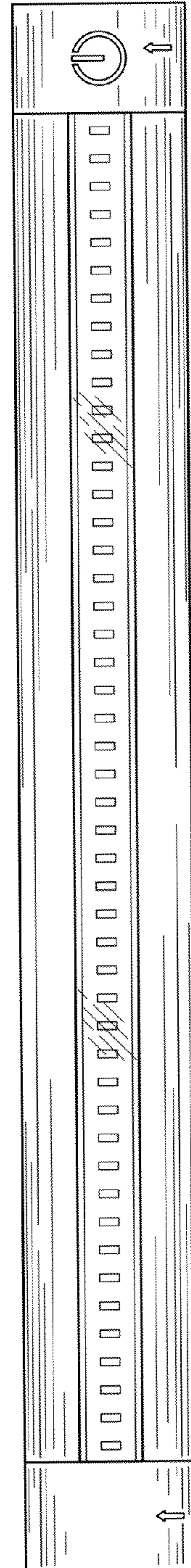


FIG. 2



FIG. 3

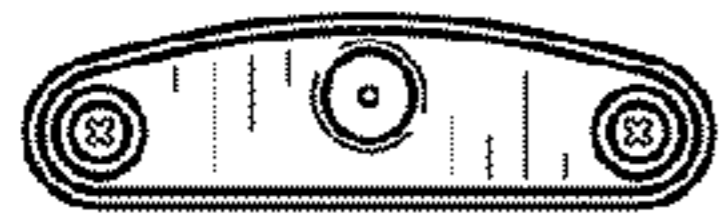


FIG. 4

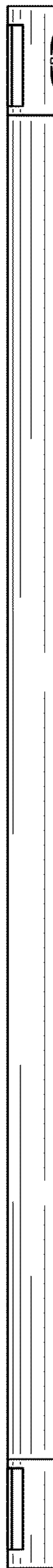


FIG. 5

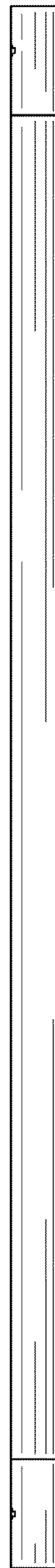


FIG. 6

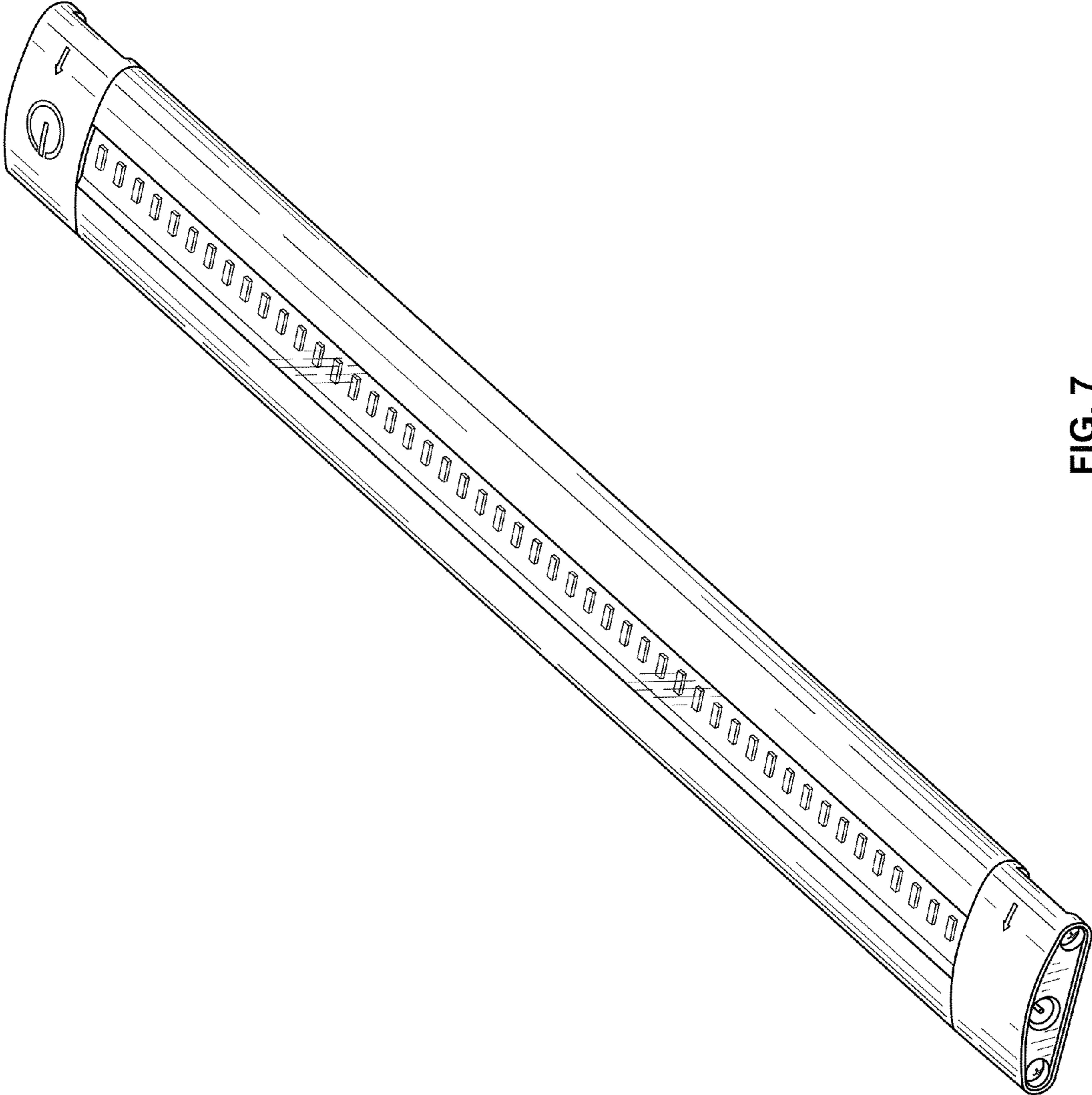


FIG. 7

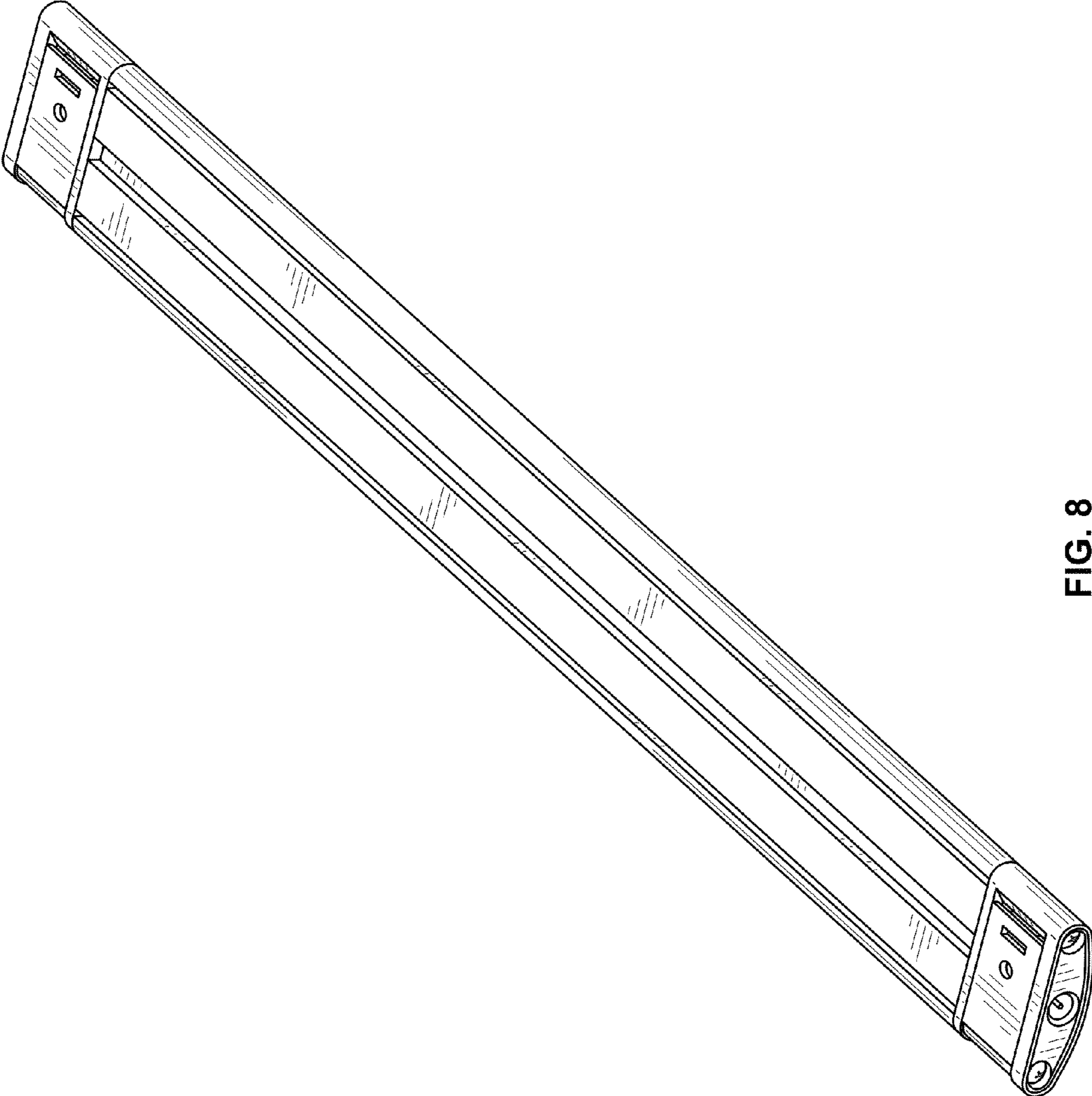


FIG. 8