



US00D735389S

(12) **United States Design Patent**
Dyson et al.

(10) **Patent No.:** **US D735,389 S**
(45) **Date of Patent:** **** Jul. 28, 2015**

(54) **LAMP**

D293,030 S * 12/1987 Vladescu D26/93
D435,926 S * 1/2001 Huo-Tu D26/63
D661,864 S * 6/2012 Swayzer D26/25

(71) Applicant: **Jacob Dyson**, London (GB)

(72) Inventors: **Jacob Dyson**, London (GB); **Douglas Andrew Inge**, London (GB); **Samuel Emrys James**, London (GB)

(73) Assignee: **Jacob Dyson**, London (GB)

(**) Term: **14 Years**

(21) Appl. No.: **29/518,965**

(22) Filed: **Feb. 27, 2015**

Related U.S. Application Data

(62) Division of application No. 29/430,100, filed on Aug. 21, 2012, now Pat. No. Des. 726,946.

(51) **LOC (10) Cl.** **26-03**

(52) **U.S. Cl.**
USPC **D26/63**

(58) **Field of Classification Search**
USPC D26/60-66, 72, 87, 92, 85, 93, 102, 104
CPC F21S 4/00; F21S 6/00; F21S 6/002;
F21S 6/004; F21S 8/043; F21S 8/08; F21V
14/00; F21V 21/00; F21V 21/116; F21V
21/14; F21V 21/34; F21W 2131/30
See application file for complete search history.

(56) **References Cited**

U.S. PATENT DOCUMENTS

2,740,039 A * 3/1956 Phillips 439/341
D235,915 S * 7/1975 desrochers D26/63

OTHER PUBLICATIONS

Press Preview, Victoria House Basement, 37-63 Southampton Row, WC1B 4DA, Wednesday Sep. 21, 2011, 3 pages.

* cited by examiner

Primary Examiner — Brian N Vinson

(74) *Attorney, Agent, or Firm* — Wolf, Greenfield & Sacks, P.C.; Randy J. Pritzker

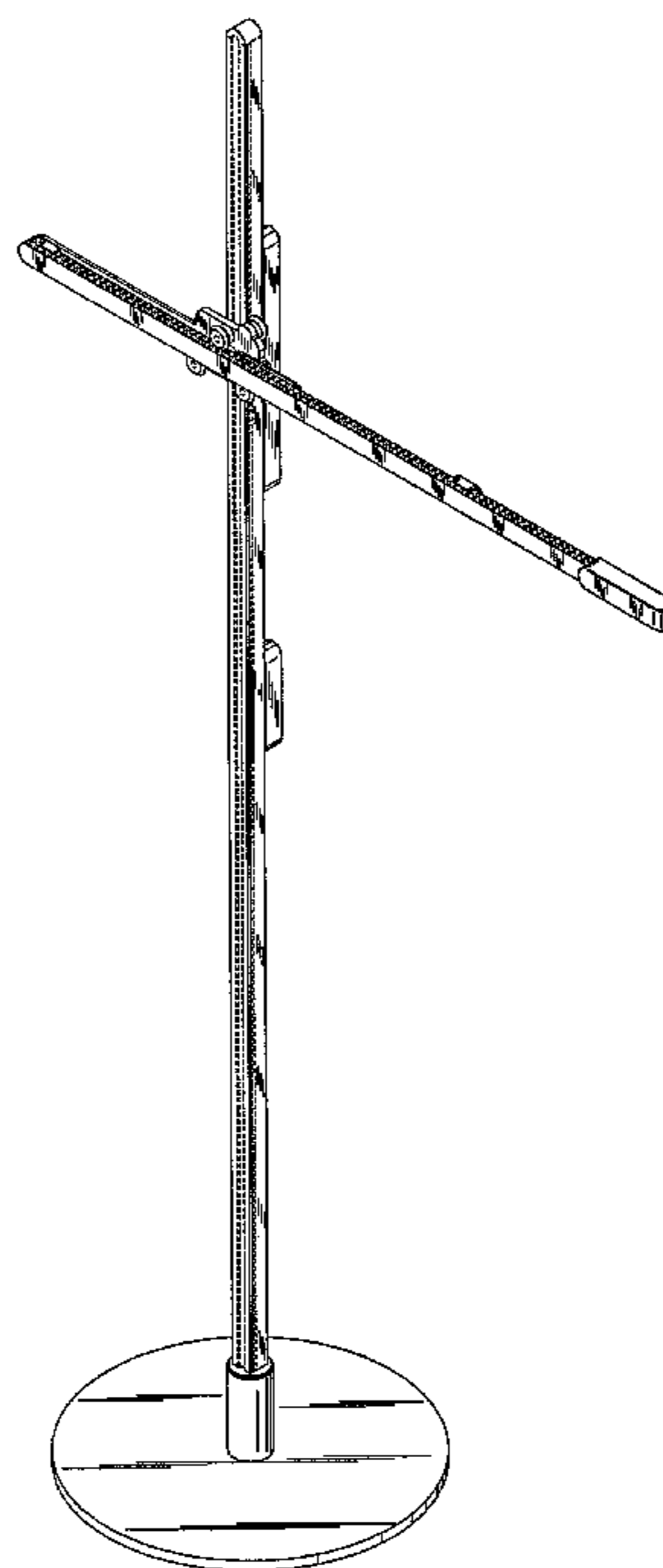
(57) **CLAIM**

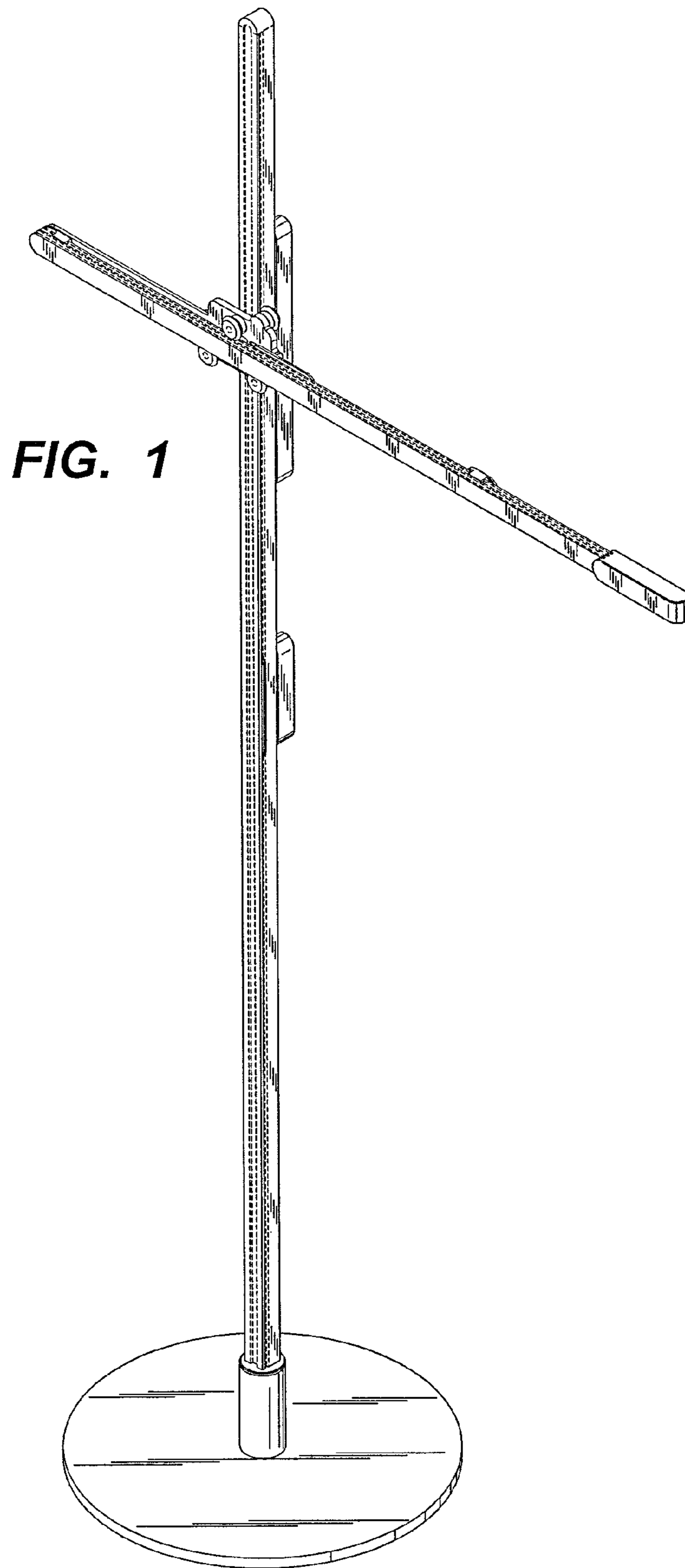
The ornamental design for a lamp, as shown and described.

DESCRIPTION

FIG. 1 is a front perspective view from above and one side of the lamp;
FIG. 2 is a rear perspective view from above and the opposite side thereof;
FIG. 3 is a front view thereof;
FIG. 4 is a rear view thereof;
FIG. 5 is a side view thereof;
FIG. 6 is a side view of the opposite side thereof;
FIG. 7 is a top plan view thereof; and,
FIG. 8 is a bottom plan view thereof.
Those portions of the drawings depicted in broken lines are provided for environmental purposes only and form no part of the claimed design.

1 Claim, 6 Drawing Sheets





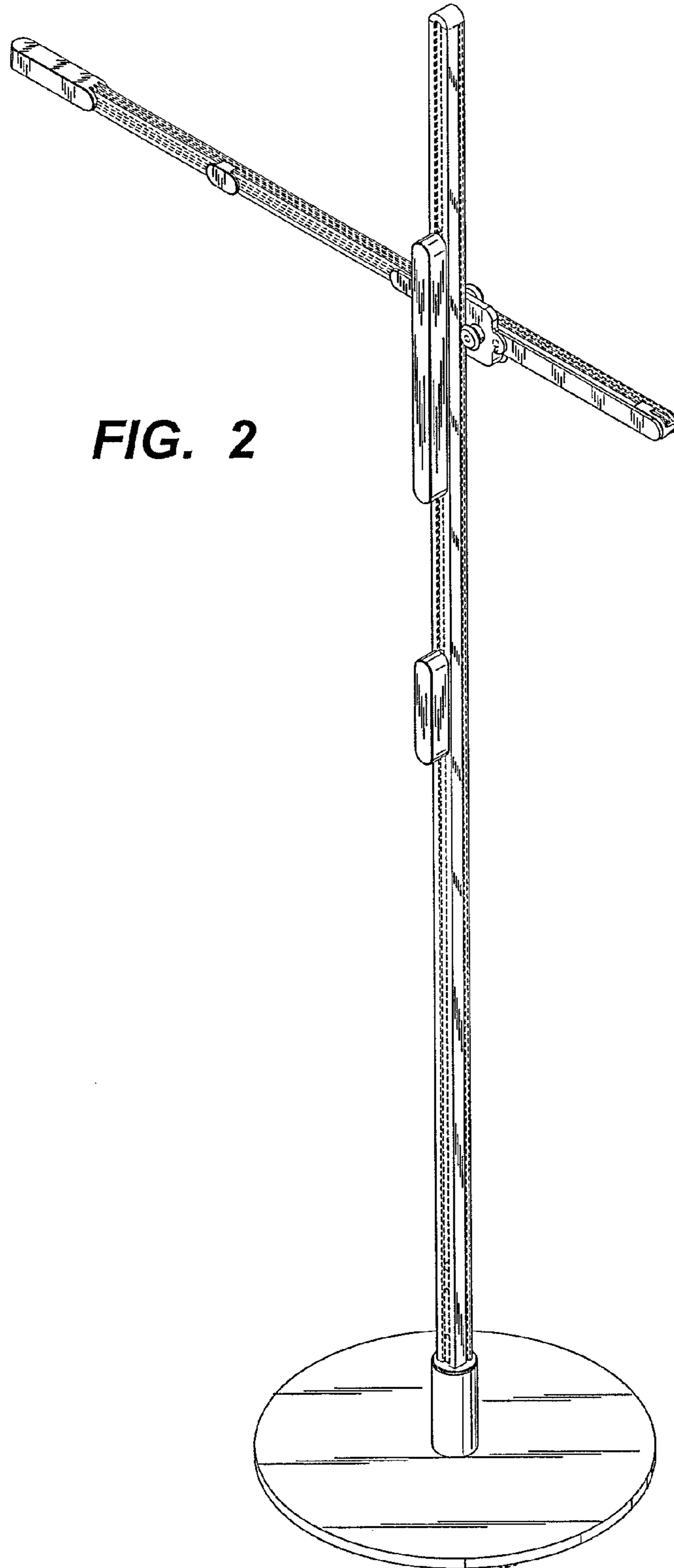


FIG. 2

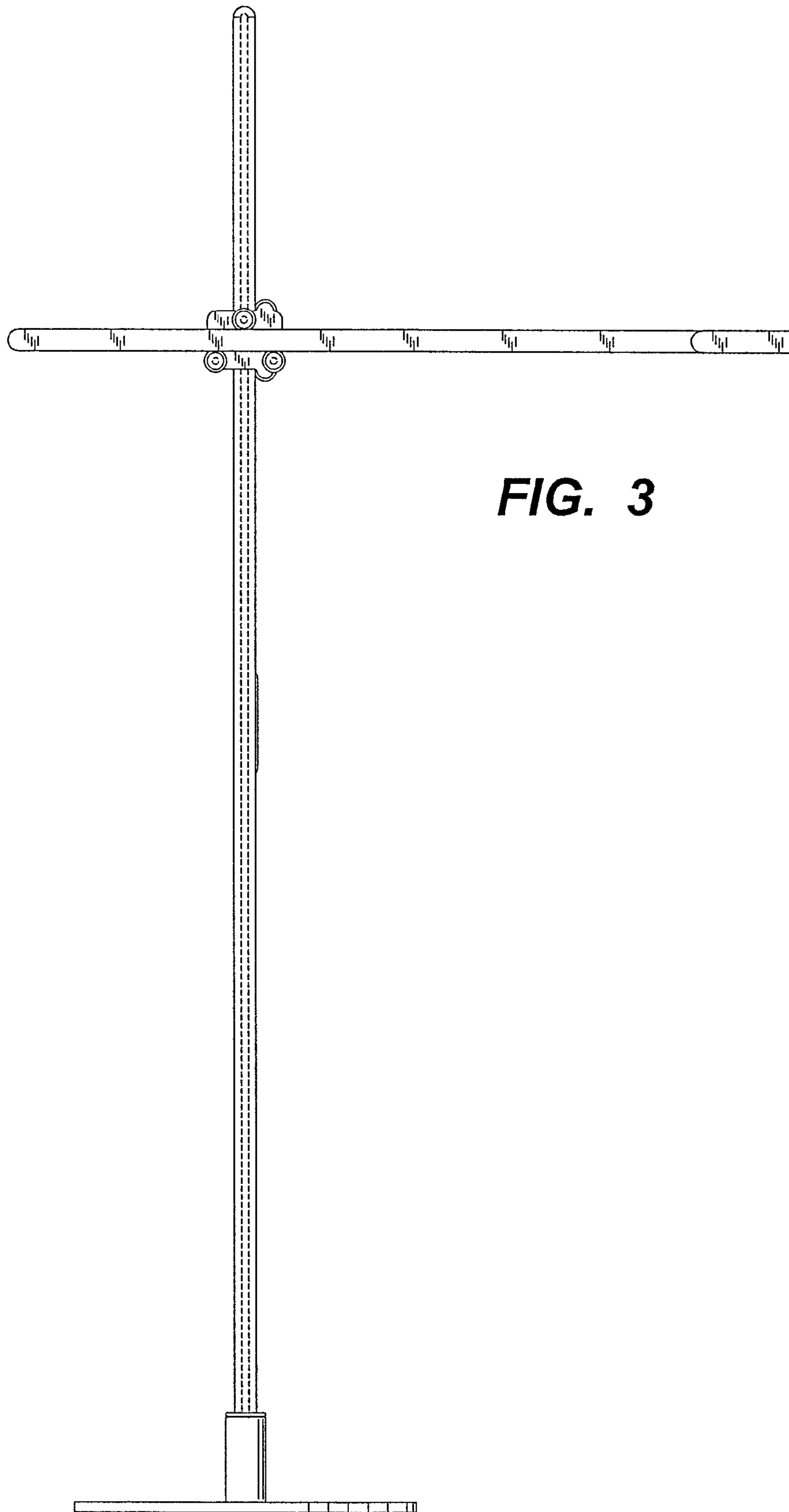


FIG. 3

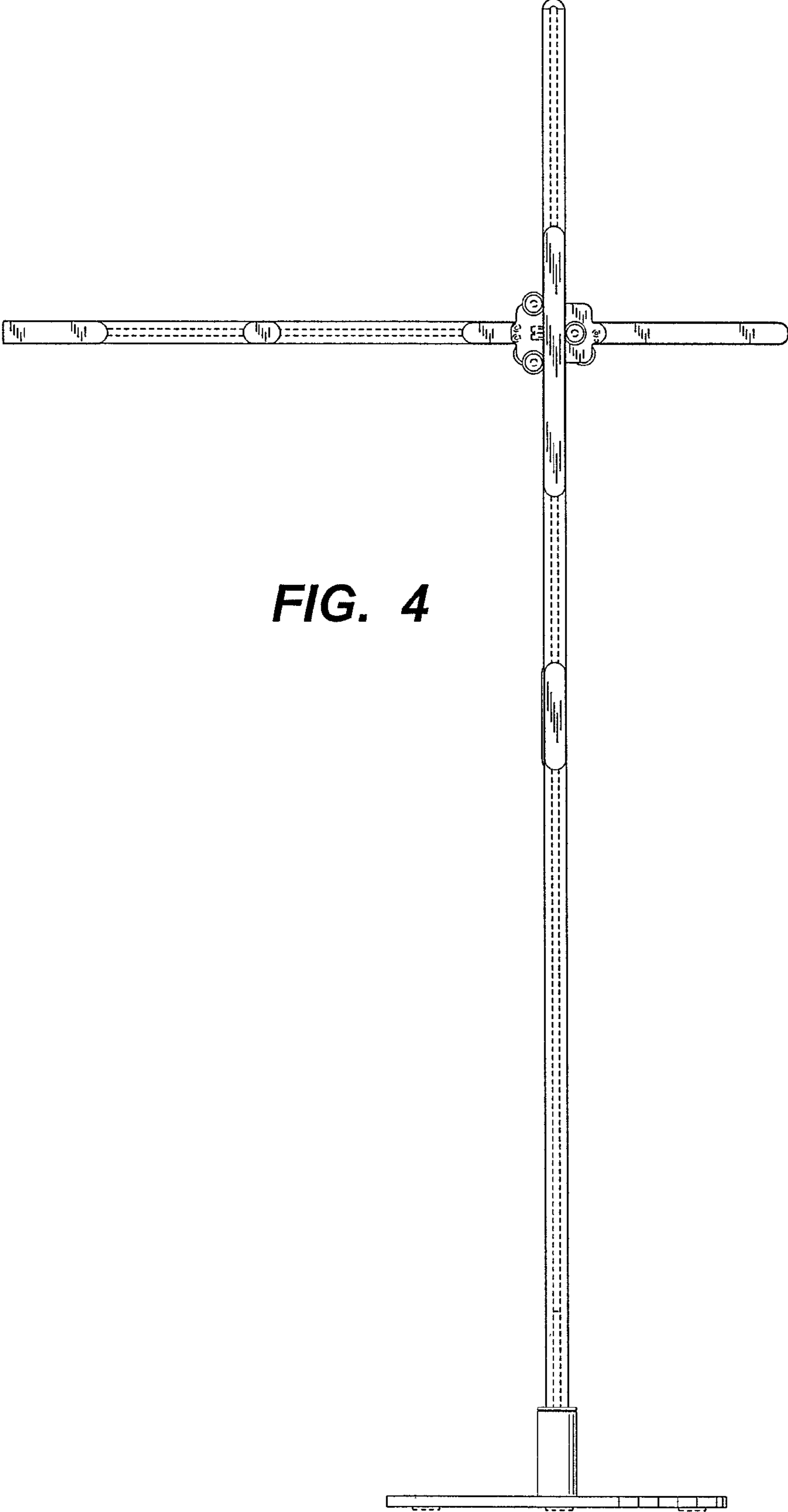


FIG. 4

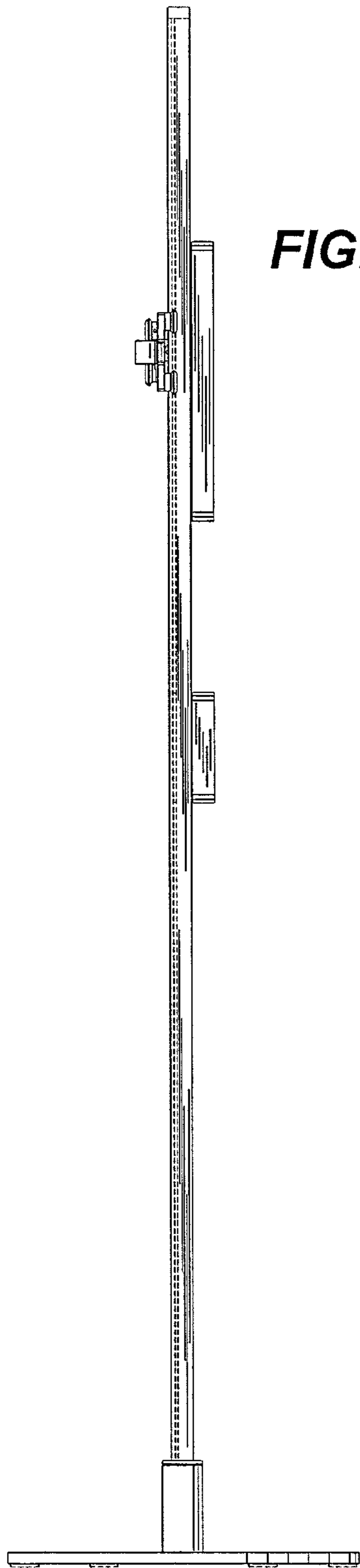


FIG. 5

FIG. 6

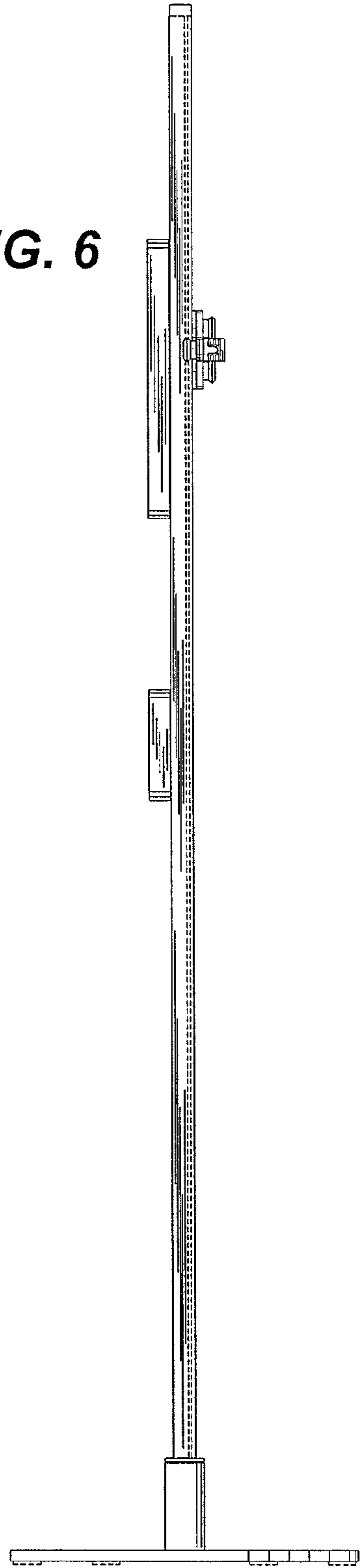


FIG. 7

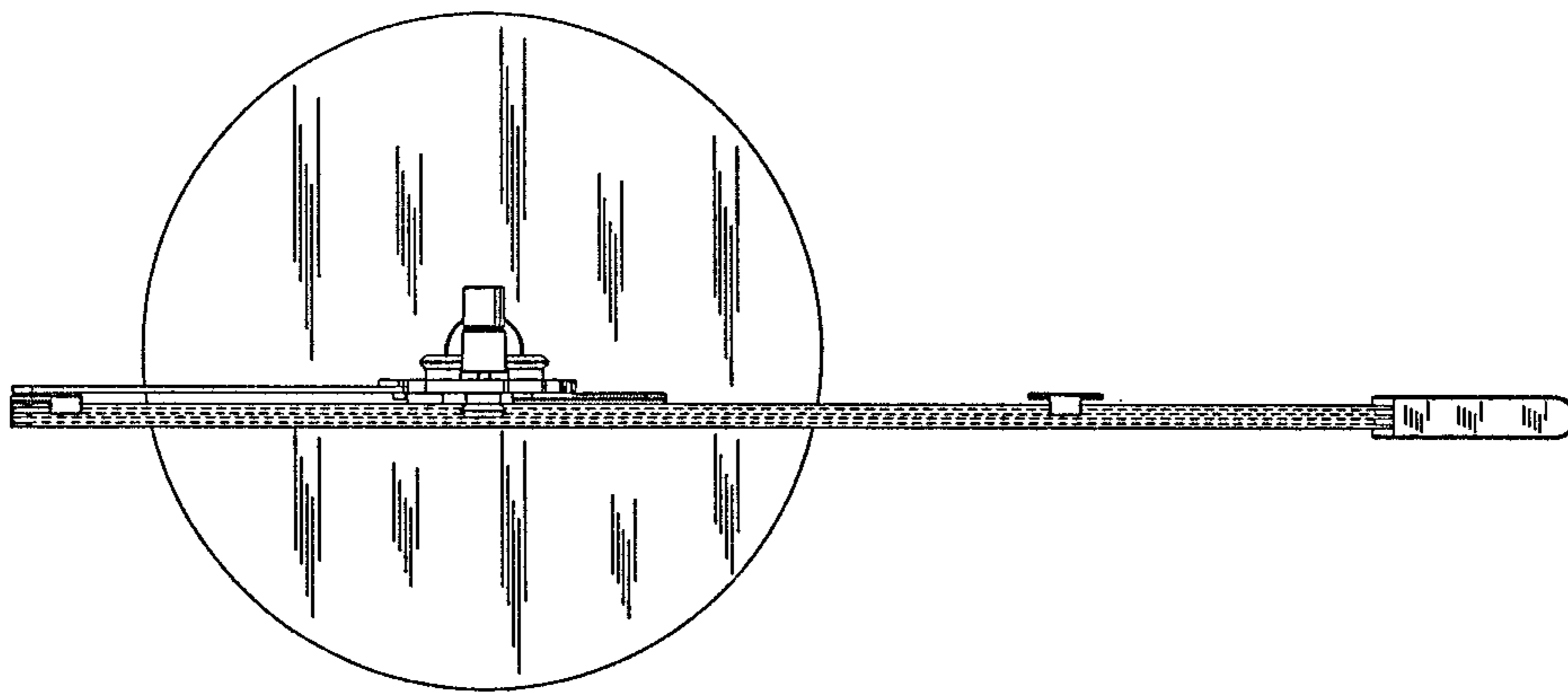


FIG. 8

