



US00D735388S

(12) **United States Design Patent**
Schlegel

(10) **Patent No.:** **US D735,388 S**
(45) **Date of Patent:** **** Jul. 28, 2015**

(54) **SPOTLIGHT**

FOREIGN PATENT DOCUMENTS

(71) Applicant: **ARNOLD & RICHTER CINE
TECHNIK GMBH & CO BETRIEBS
KG, Munich (DE)**

CN 302580389 S 9/2013
CN 302642945 S 11/2013
DE 40 2012 100 706-001 10/2012

(72) Inventor: **Kerstin Schlegel, Stephanskirchen (DE)**

(73) Assignee: **Arnold & Richter Cine Technik GmbH
& Co. Betriebs KG, Munich (DE)**

OTHER PUBLICATIONS

U.S. Appl. No. 29/447,790, filed Mar. 6, 2013, 10 pages.
U.S. Appl. No. 29/447,792, filed Mar. 6, 2013, 10 pages.

(**) Term: **14 Years**

* cited by examiner

(21) Appl. No.: **29/482,824**

Primary Examiner — Brian N Vinson

(22) Filed: **Feb. 21, 2014**

(74) *Attorney, Agent, or Firm* — Christie, Parker & Hale, LLP

(30) **Foreign Application Priority Data**

(57) **CLAIM**

The ornamental design for a spotlight, as shown and described.

Aug. 21, 2013 (DE) 40 2013 100 868

(51) **LOC (10) Cl.** **26-03**

DESCRIPTION

(52) **U.S. Cl.**
USPC **D26/63**

(58) **Field of Classification Search**
USPC D26/1, 24, 61, 63, 65, 85, 92
CPC F21V 21/14; F21V 15/01; F21V 14/02;
F21V 21/30; F21V 21/00; F21V 14/00;
F21S 8/00; F21S 8/003; F21S 8/043; F21Y
2015/001

See application file for complete search history.

FIG. 1 is a perspective front elevation view of the spotlight from the right side;
FIG. 2 is a front view thereof;
FIG. 3 is a right side view thereof;
FIG. 4 is a left side view thereof;
FIG. 5 is a perspective back elevation view of the tilted spotlight from the left side;
FIG. 6 is a perspective back elevation view of the lifted spotlight from the left side;
FIG. 7 is a top view thereof;
FIG. 8 is a bottom view thereof; and,
FIG. 9 is a rear view thereof.

(56) **References Cited**

U.S. PATENT DOCUMENTS

D257,890 S * 1/1981 Aron D26/63
D279,928 S * 7/1985 McNabb et al. D26/63
D316,305 S * 4/1991 Court D26/63
D388,525 S * 12/1997 Lowell et al. D26/63
D563,035 S * 2/2008 Schlegel et al. D26/63
D587,833 S * 3/2009 Bina et al. D26/63
D606,690 S * 12/2009 Orrom et al. D26/61
D699,382 S * 2/2014 Moller et al. D26/63

In alternative embodiments, the stirrup, the attachments at the stirrup, the power cord, fasteners, logos, written matter, buttons, knobs, indicators, the bulb and/or lens in the drawings do not form part of the claimed design. The broken lines in the drawings are for illustrative purpose only and form no part of the claimed design.

1 Claim, 9 Drawing Sheets

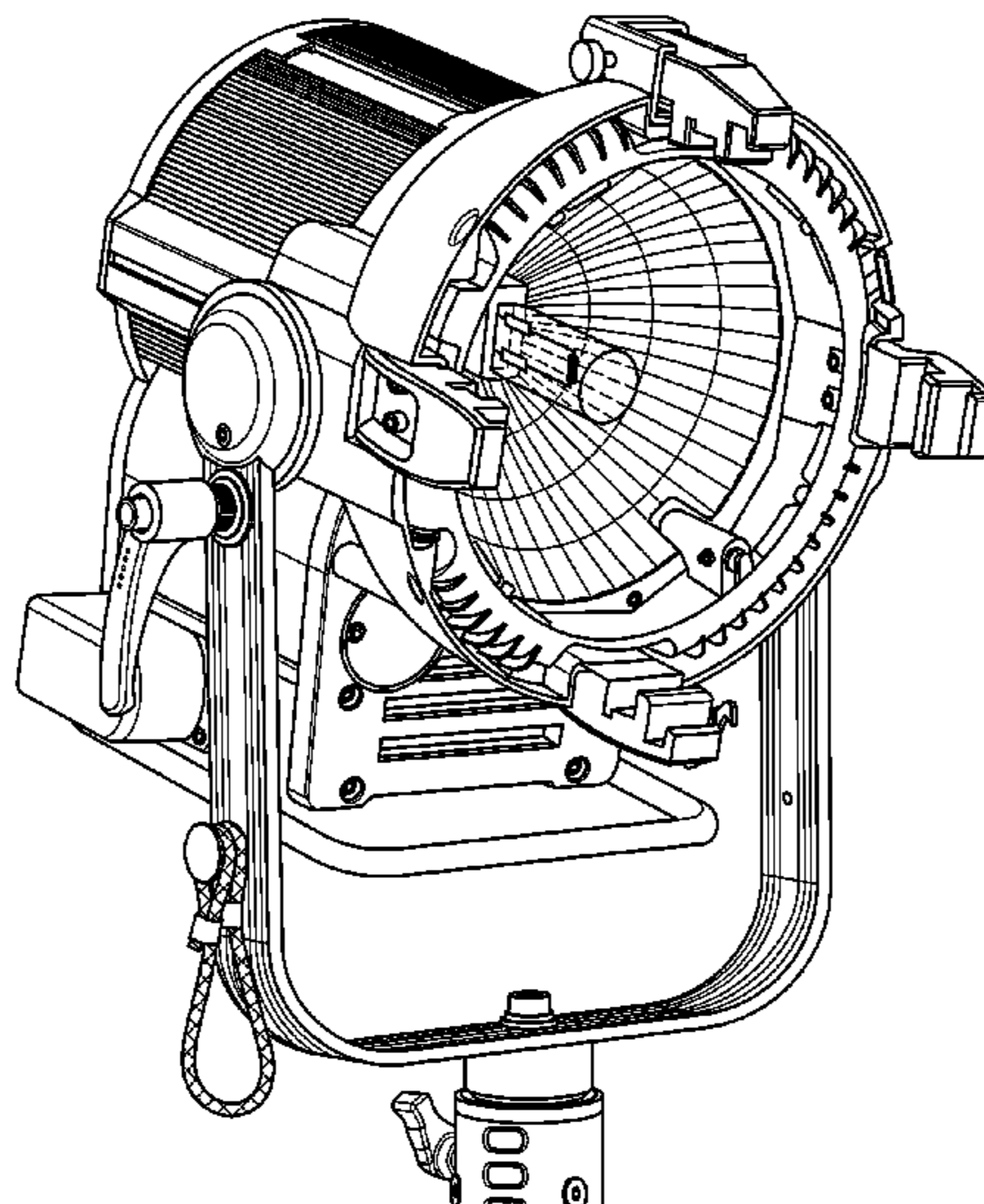


Fig. 1

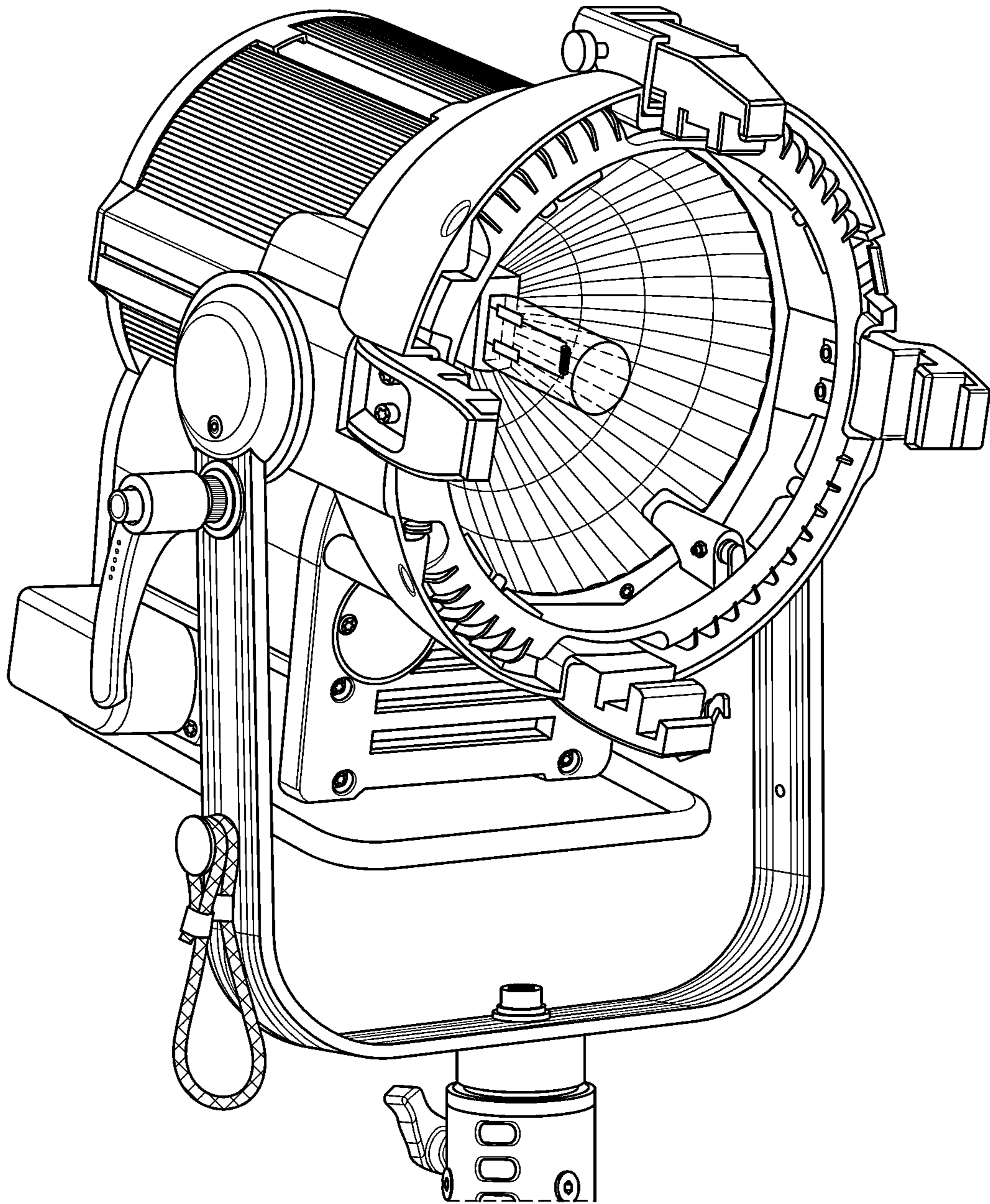


Fig. 2

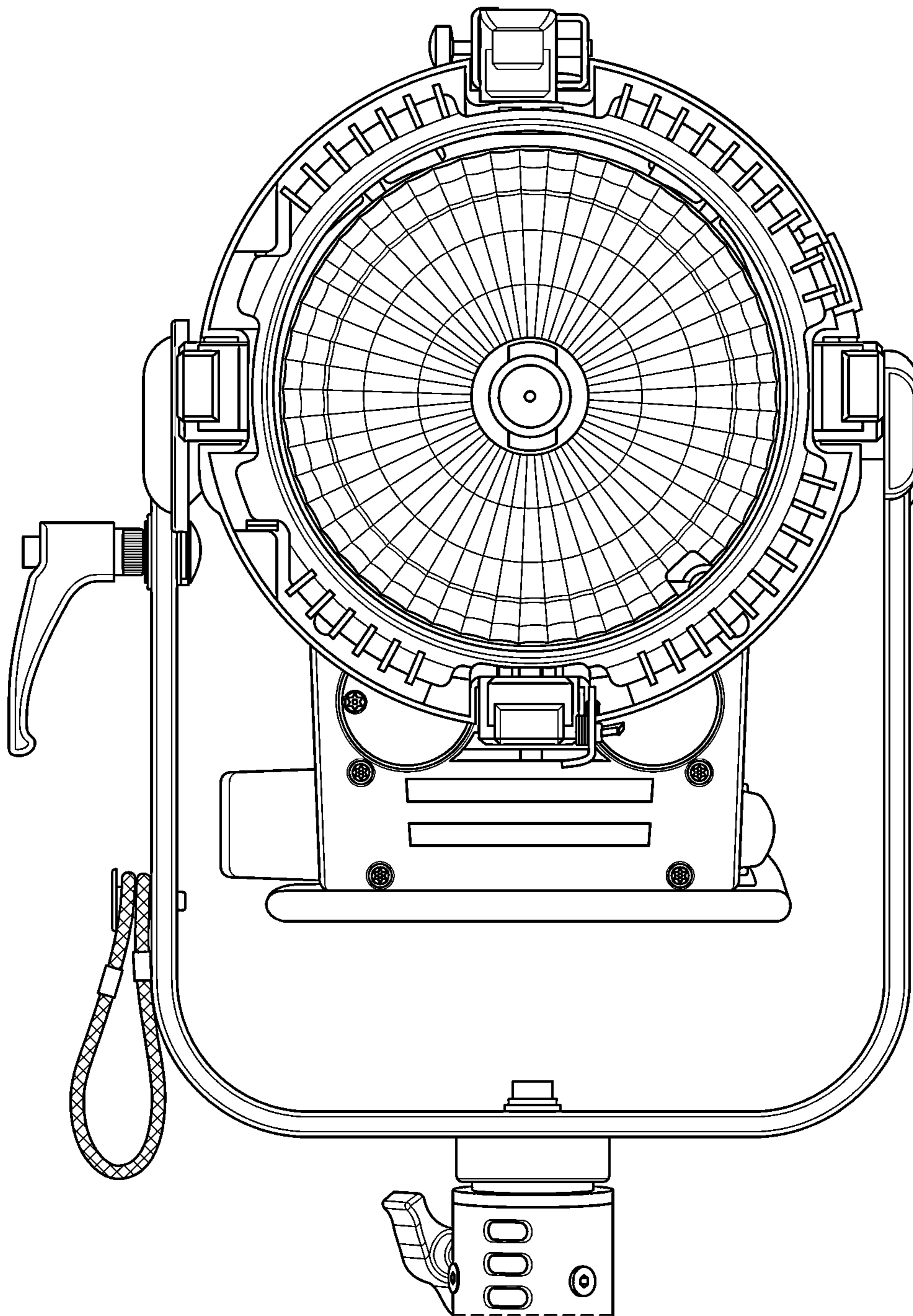


Fig. 3

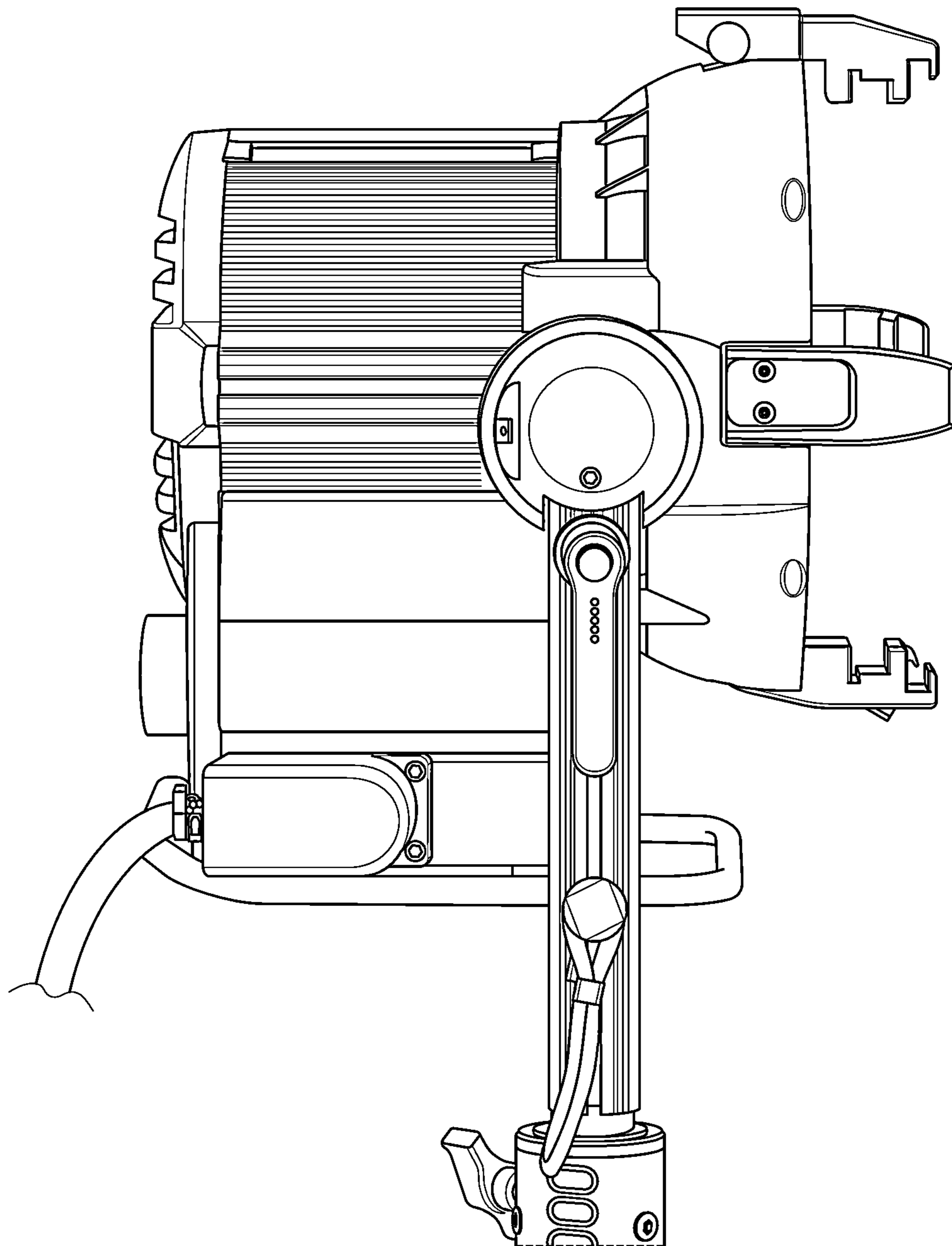


Fig. 4

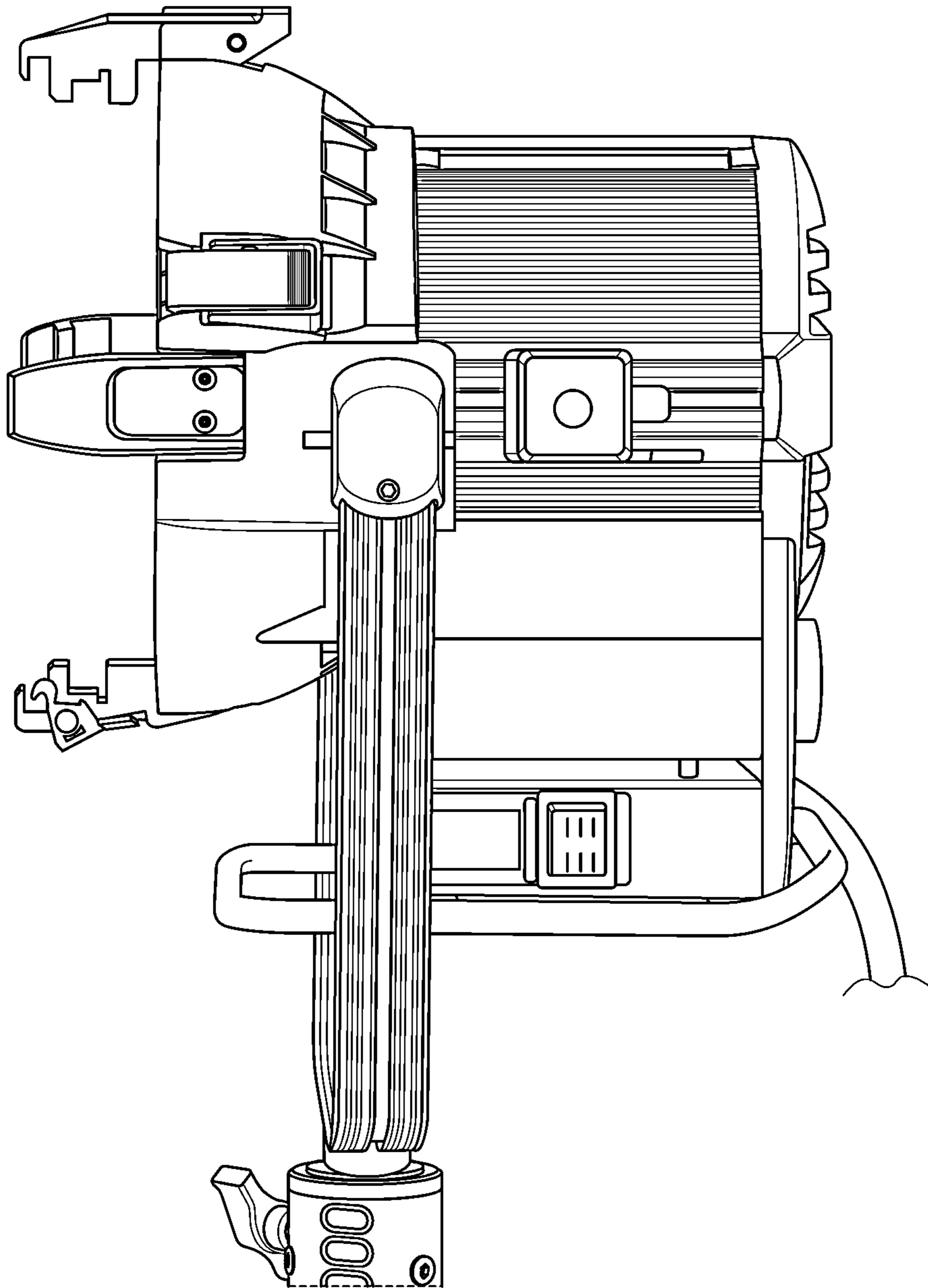


Fig. 5

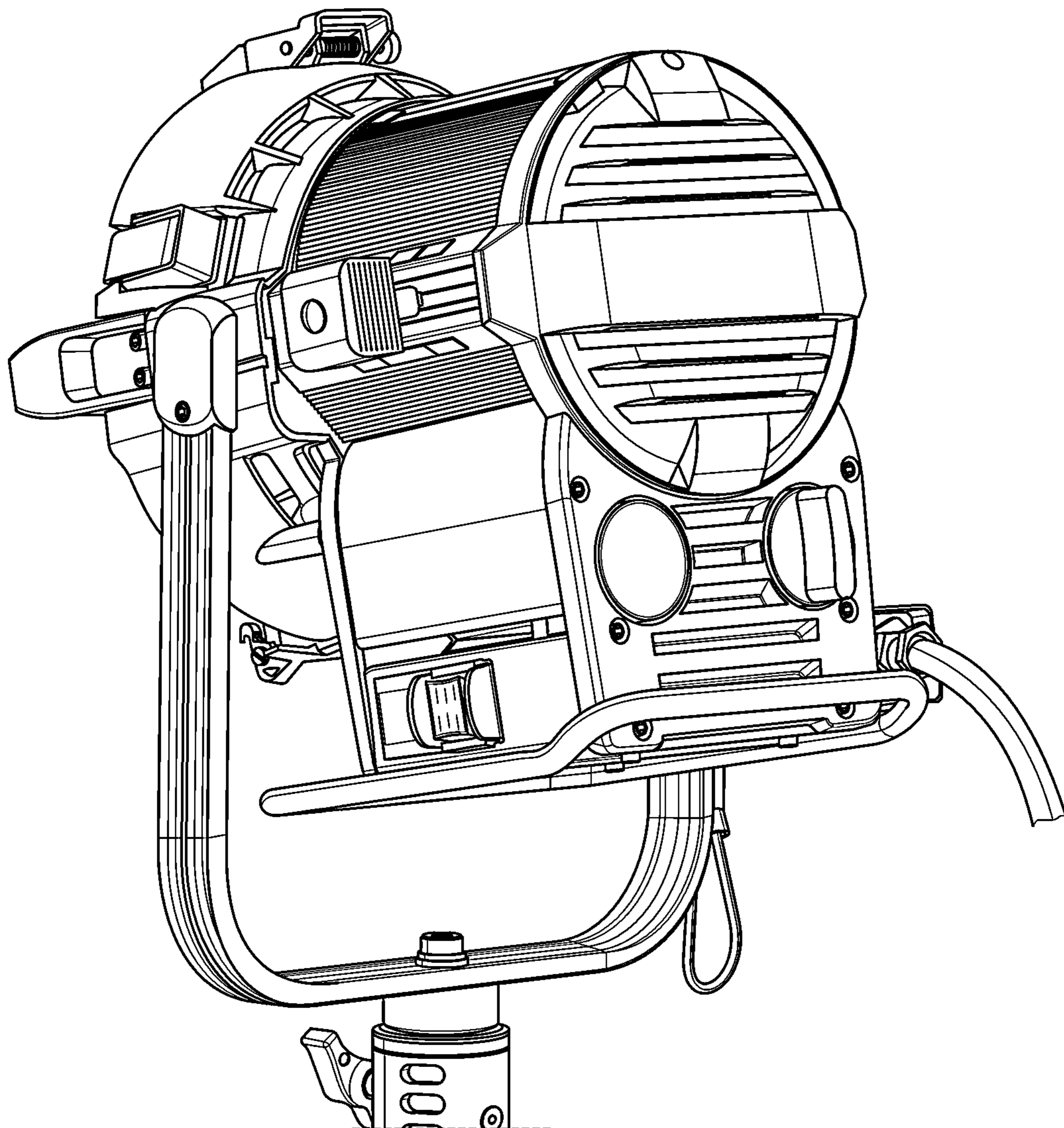


Fig. 6

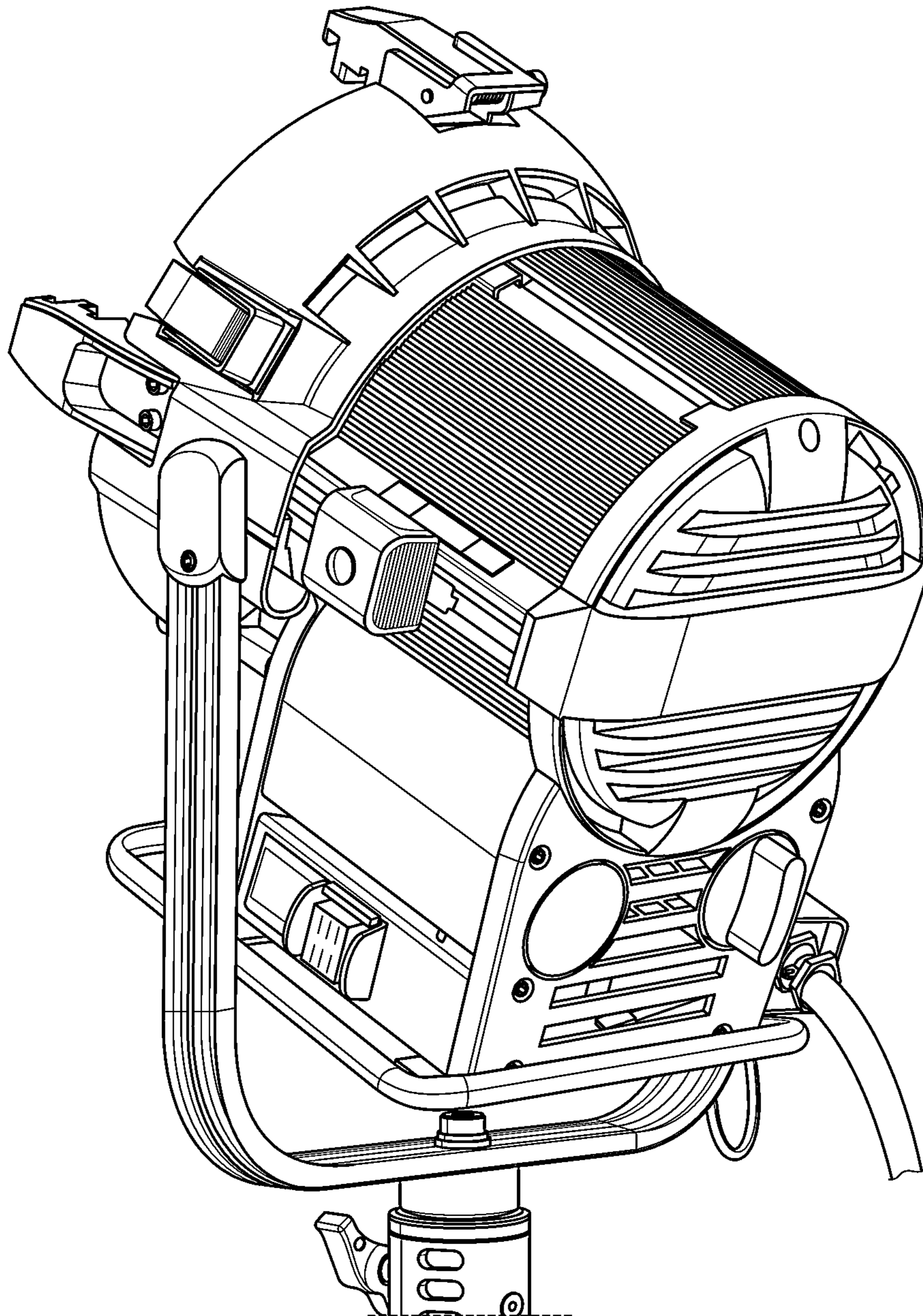


Fig. 7

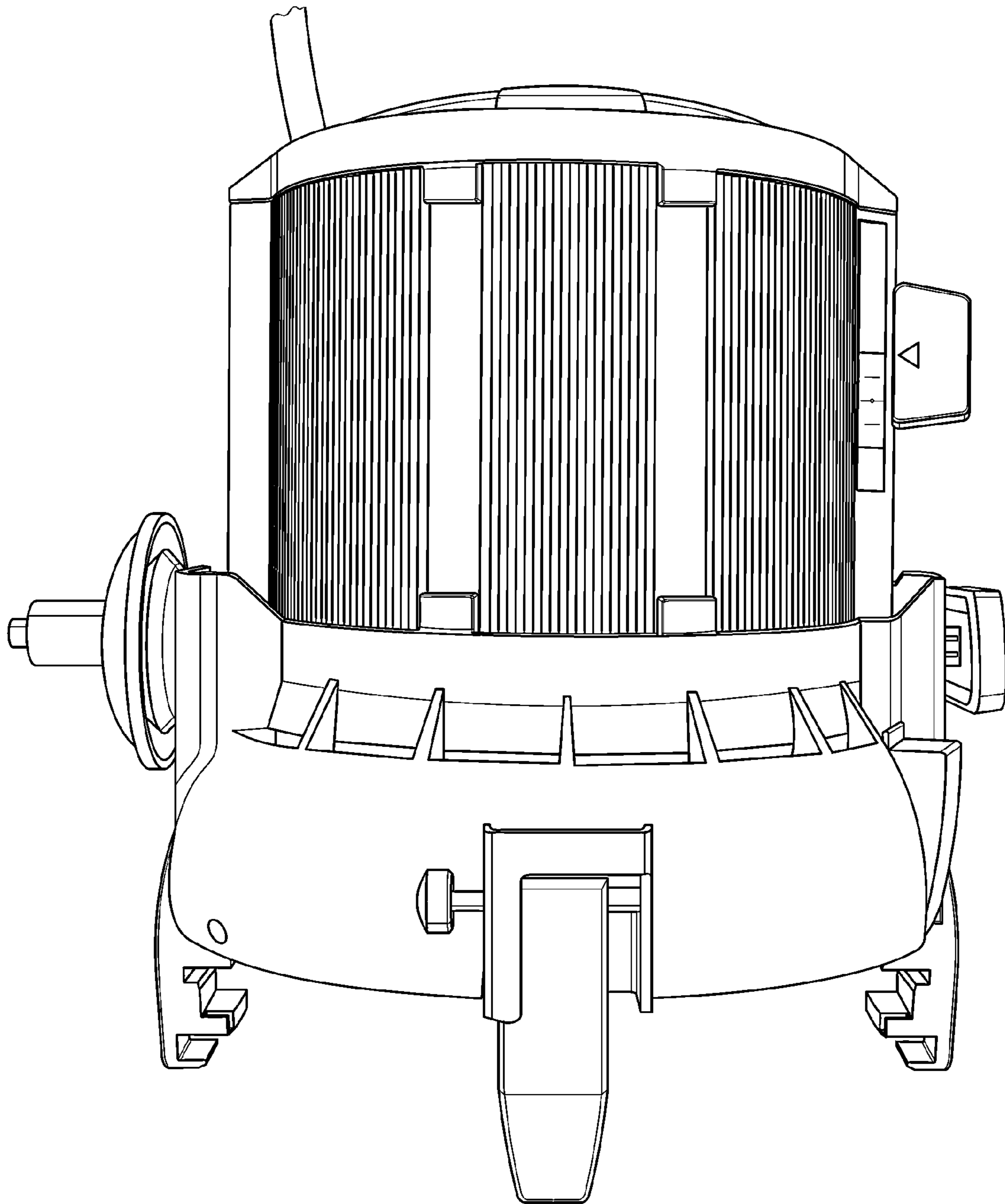
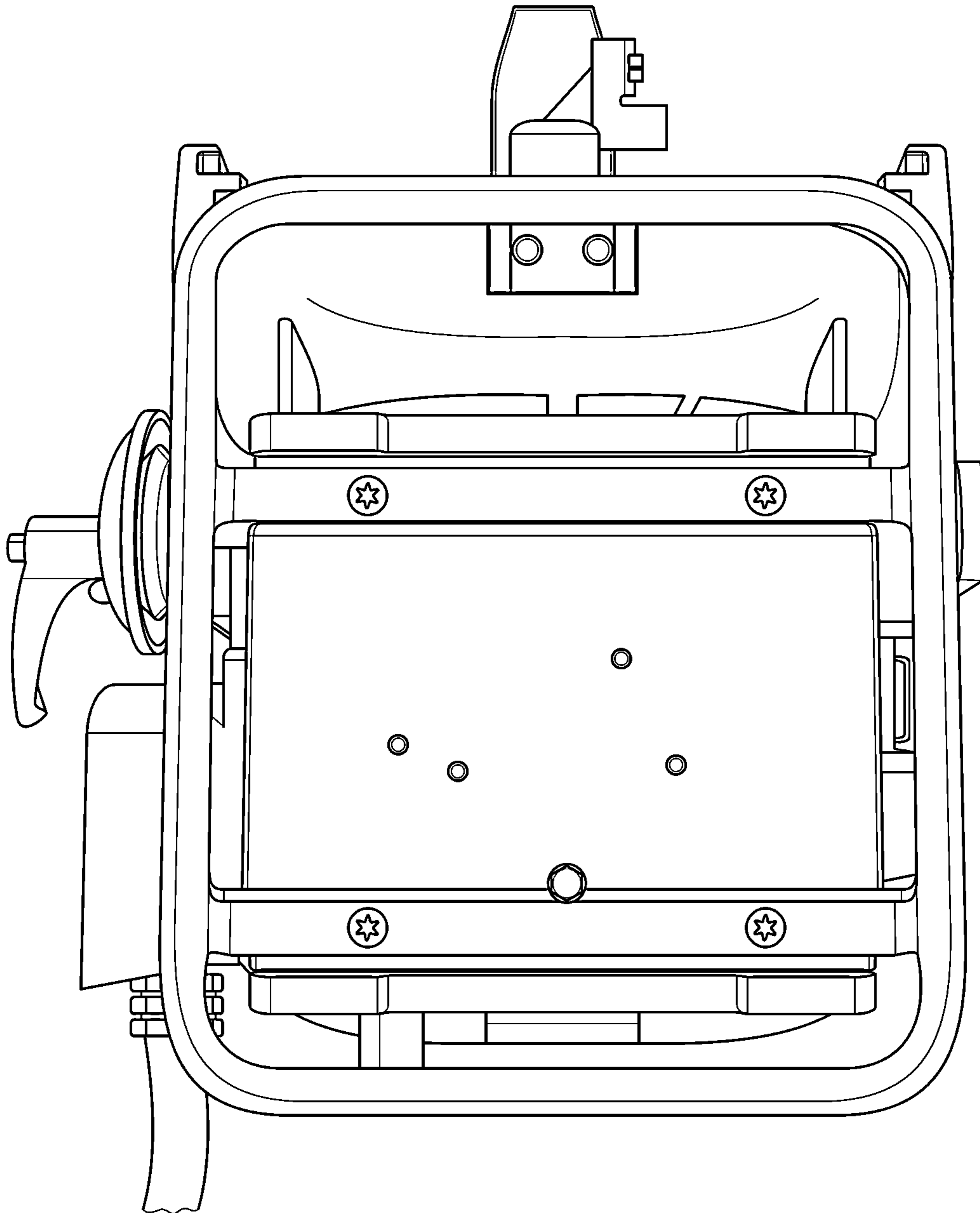


Fig. 8



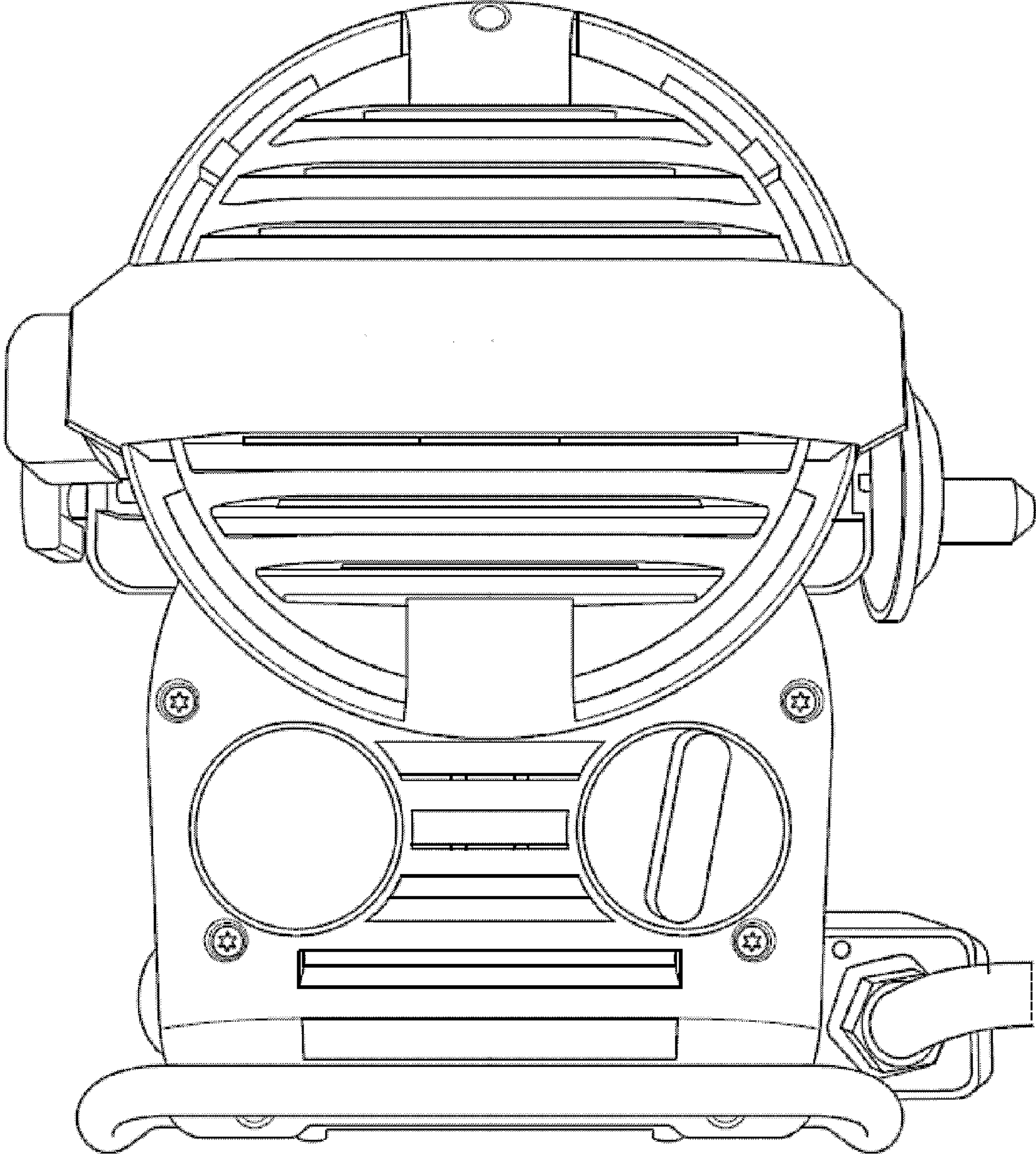


Fig. 9