



US00D735385S

(12) **United States Design Patent**
Lee et al.

(10) **Patent No.:** **US D735,385 S**
(45) **Date of Patent:** **** Jul. 28, 2015**

(54) **COMPACT PHOTOGRAPHY AND FILM LIGHT WITH STAND MOUNT AND ADJUSTABLE YOKE, UTILIZING LIGHT EMITTING DIODES AND VENTILATING HOLES**

(71) Applicants: **Hsiang-Yu Lee**, Kaohsiung (TW); **Brent John Siebenaler**, Redondo Beach, CA (US)

(72) Inventors: **Hsiang-Yu Lee**, Kaohsiung (TW); **Brent John Siebenaler**, Redondo Beach, CA (US)

(73) Assignee: **Dicon Fiberoptics, Inc.**, Richmond, CA (US)

(**) Term: **14 Years**

(21) Appl. No.: **29/473,631**

(22) Filed: **Nov. 25, 2013**

(51) **LOC (10) Cl.** **26-03**

(52) **U.S. Cl.**
USPC **D26/63**

(58) **Field of Classification Search**
USPC D26/1, 24, 61, 63, 65, 85, 92
CPC F21V 21/14; F21V 15/01; F21V 14/02;
F21V 21/30; F21V 21/00; F21V 14/00;
F21S 8/00; F21S 8/003; F21S 8/043; F21Y
2105/001

See application file for complete search history.

(56) **References Cited**

U.S. PATENT DOCUMENTS

D93,934 S *	11/1934	Levy	D26/65
D242,945 S *	1/1977	Moore	D26/65
D257,890 S *	1/1981	Aron	D26/63
D271,043 S *	10/1983	Parker	D26/63
D276,559 S *	11/1984	Krokaugger	D26/63
D587,833 S *	3/2009	Bina et al.	D26/63

* cited by examiner

Primary Examiner — Brian N Vinson

(57) **CLAIM**

The ornamental design for a compact photography and film light with stand mount and adjustable yoke, utilizing light emitting diodes and ventilating holes, as shown and described.

DESCRIPTION

FIG. 1 is a front perspective view of the compact photography and film light with stand mount and adjustable yoke, utilizing light emitting diodes and ventilating holes.

FIG. 2 is another front perspective view thereof.

FIG. 3 is a rear perspective view thereof. The broken oval lines in FIG. 3 illustrate unclaimed structure.

FIG. 4 is a front view thereof.

FIG. 5 is a rear view thereof. The broken circular lines in FIG. 5 illustrate unclaimed structure.

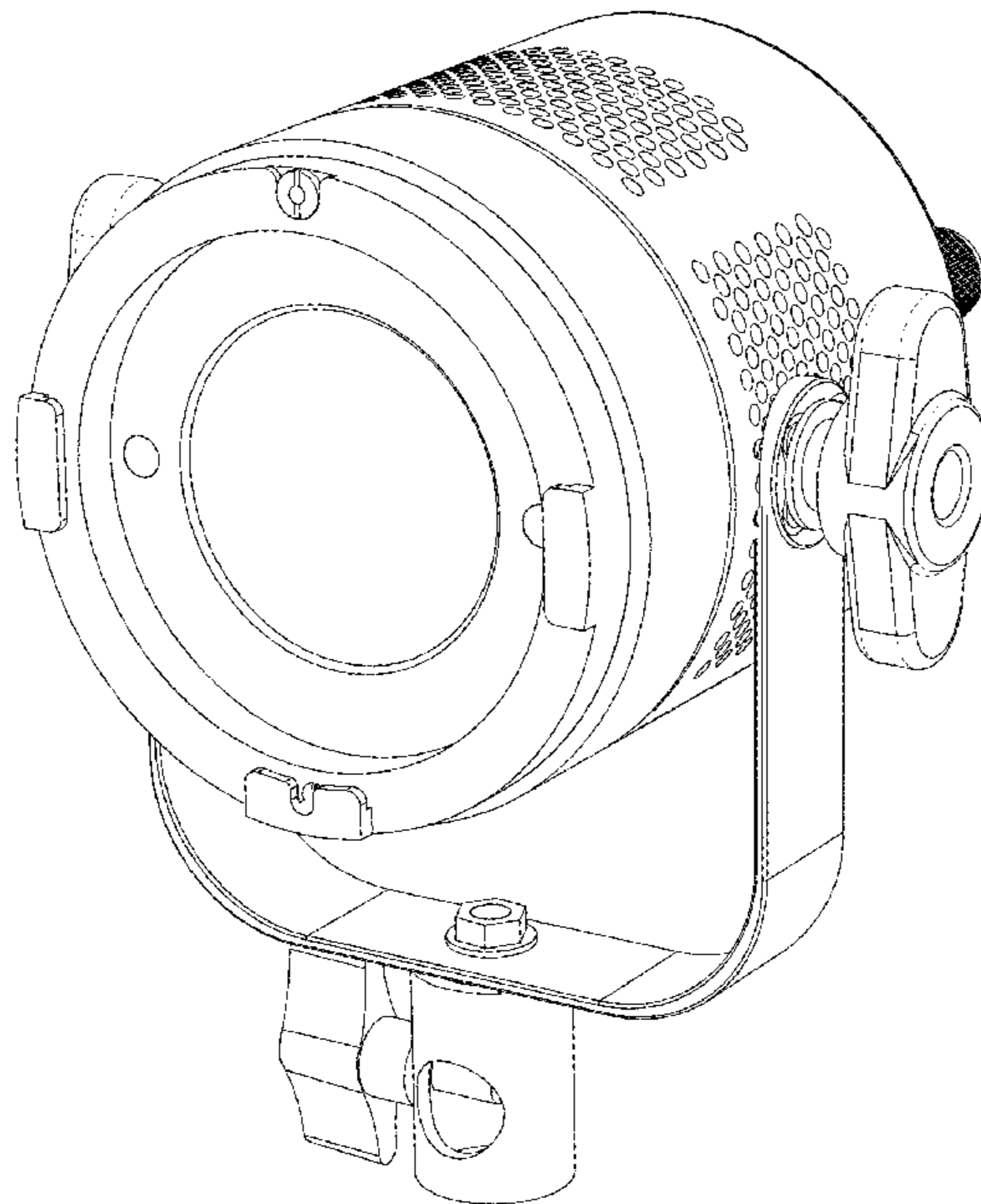
FIGS. 6 and 7 are side views thereof.

FIG. 8 is a bottom view thereof; and,

FIG. 9 is a top view thereof.

The broken lines in FIGS. 3 and 5 illustrate unclaimed structure. For information purposes, this unclaimed structure represents an electrical connector of circular shape on the rear face of the light, for insertion of a DC power connector and cord, associated with the light's external AC-to-DC power supply/adaptor, or external battery pack.

1 Claim, 8 Drawing Sheets



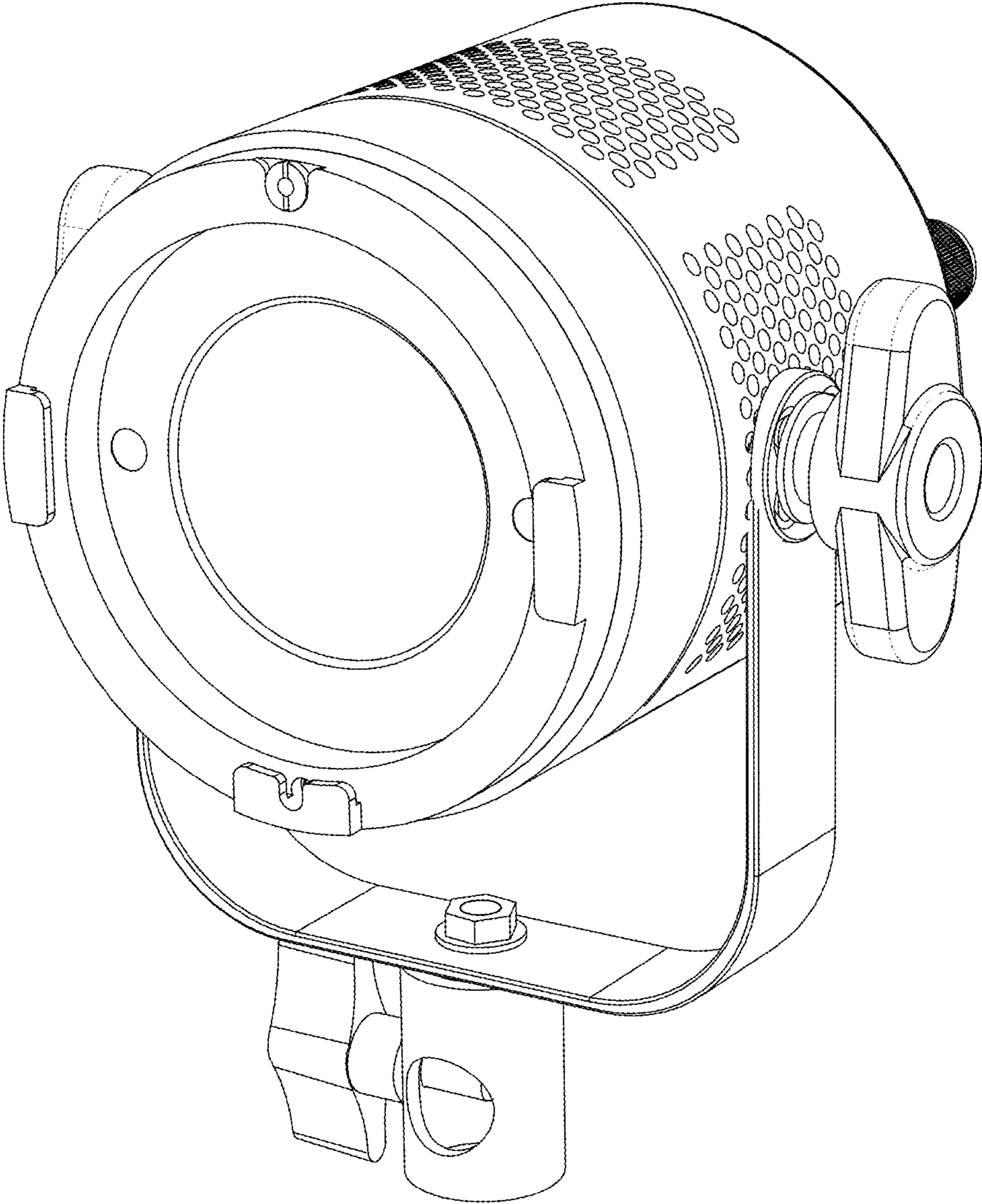


FIG. 1

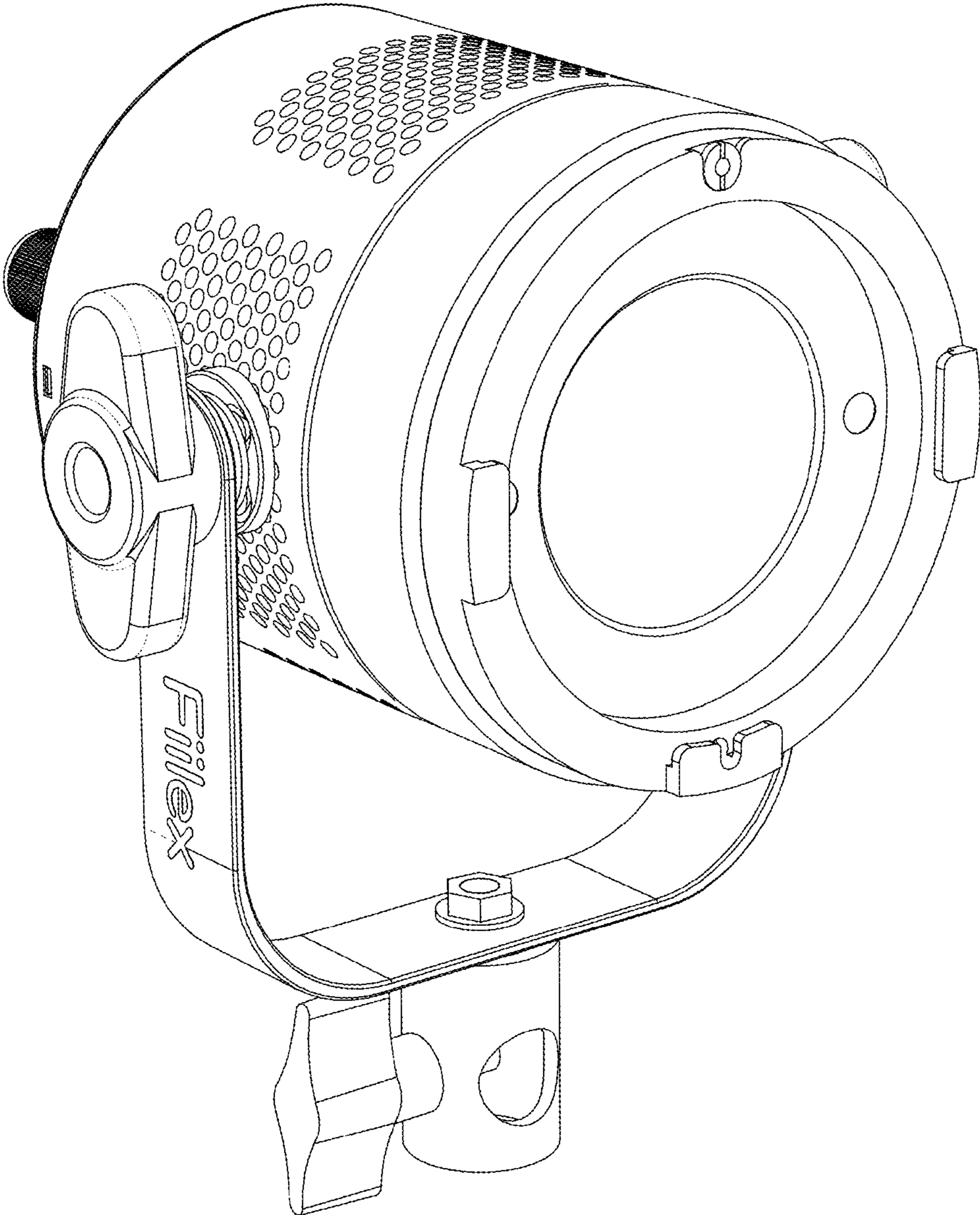


FIG. 2

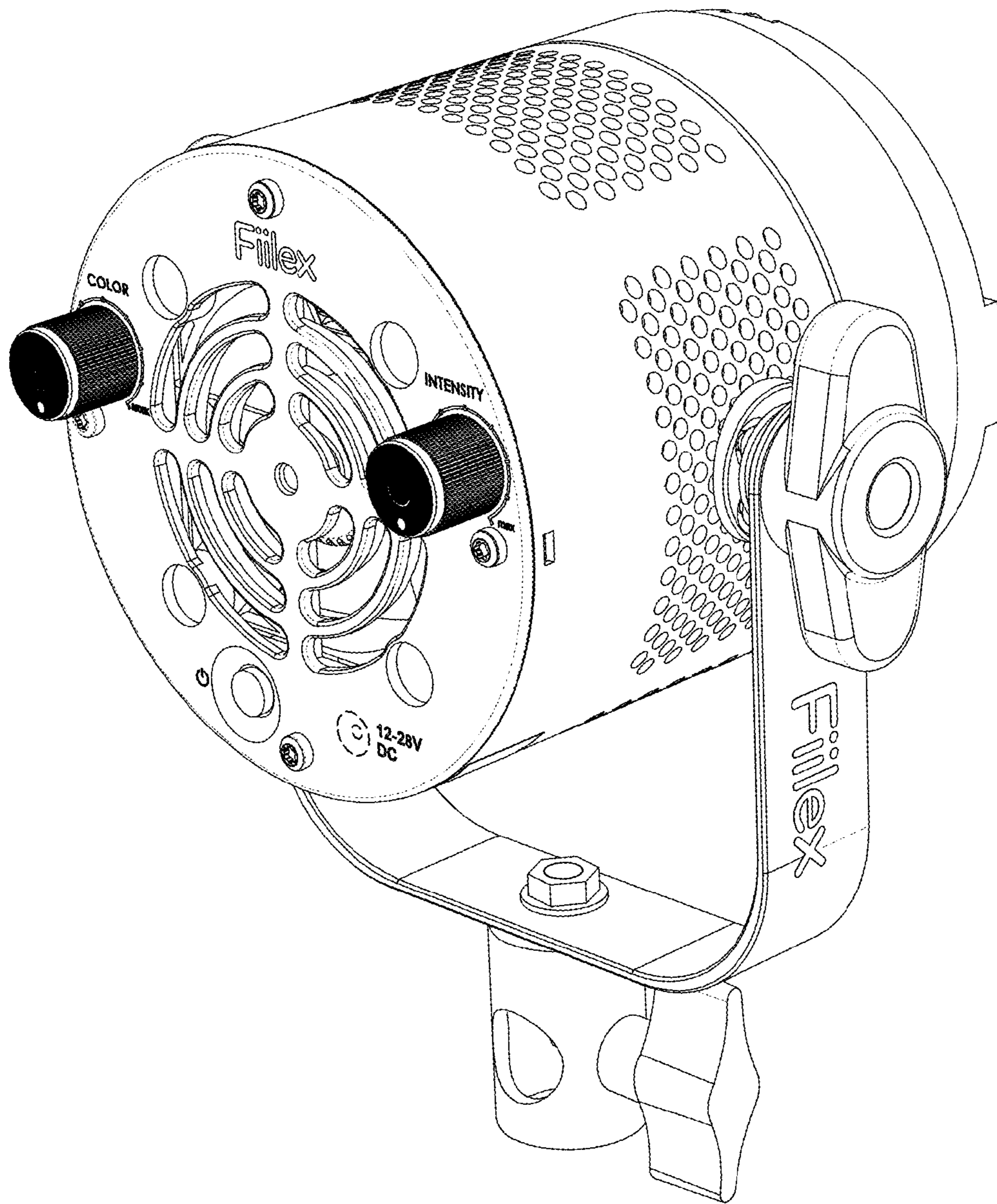


FIG. 3

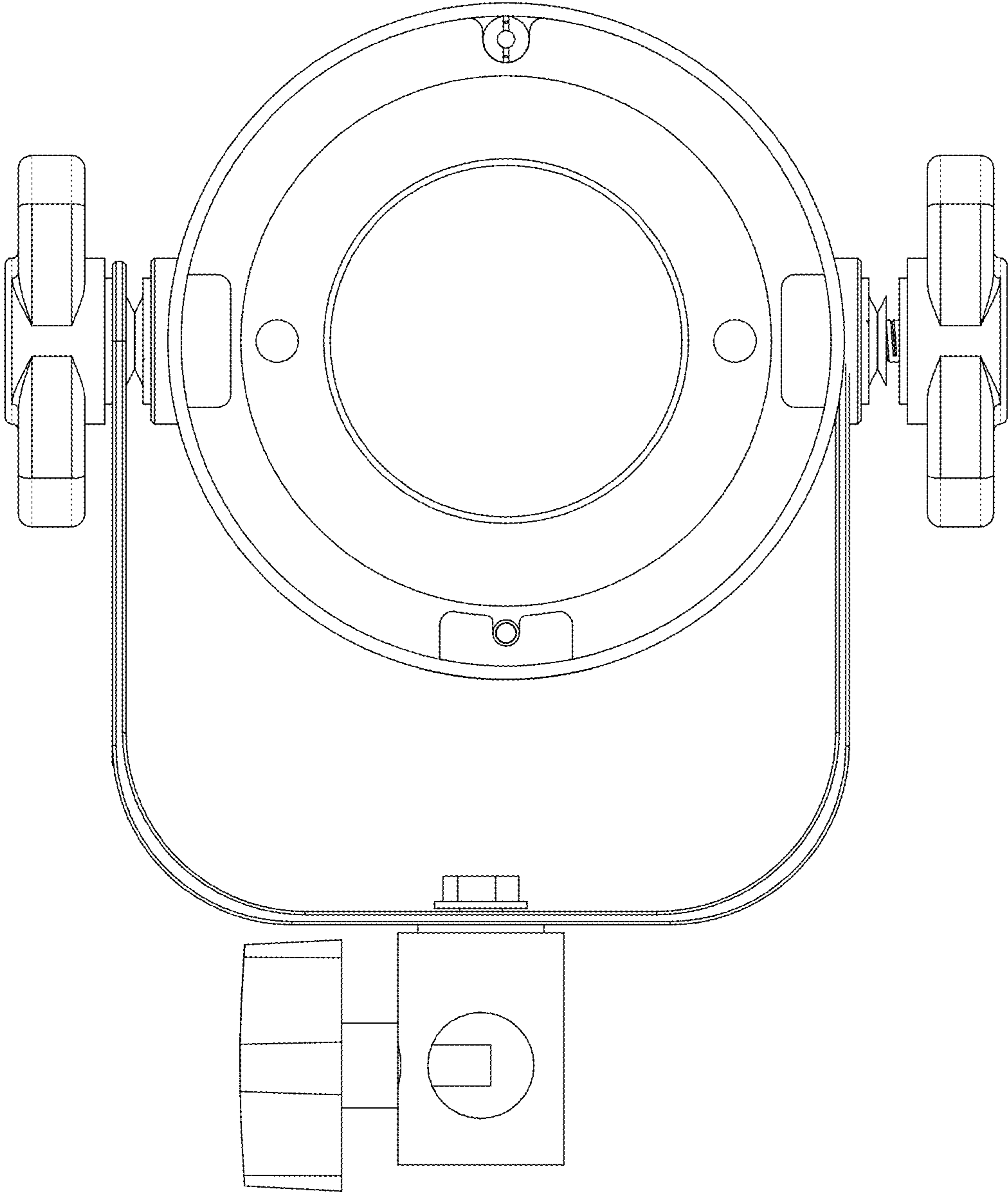


FIG. 4

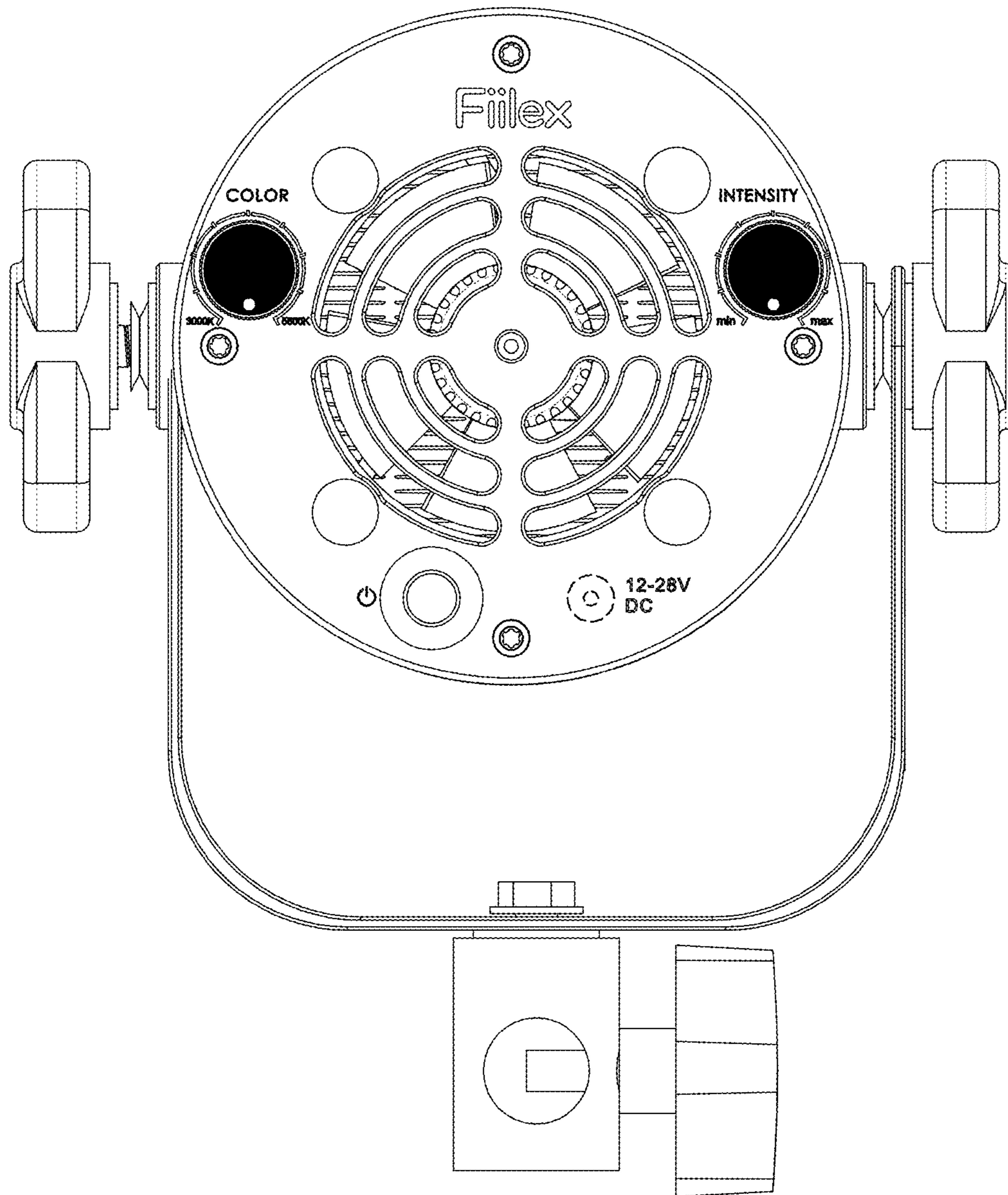


FIG. 5

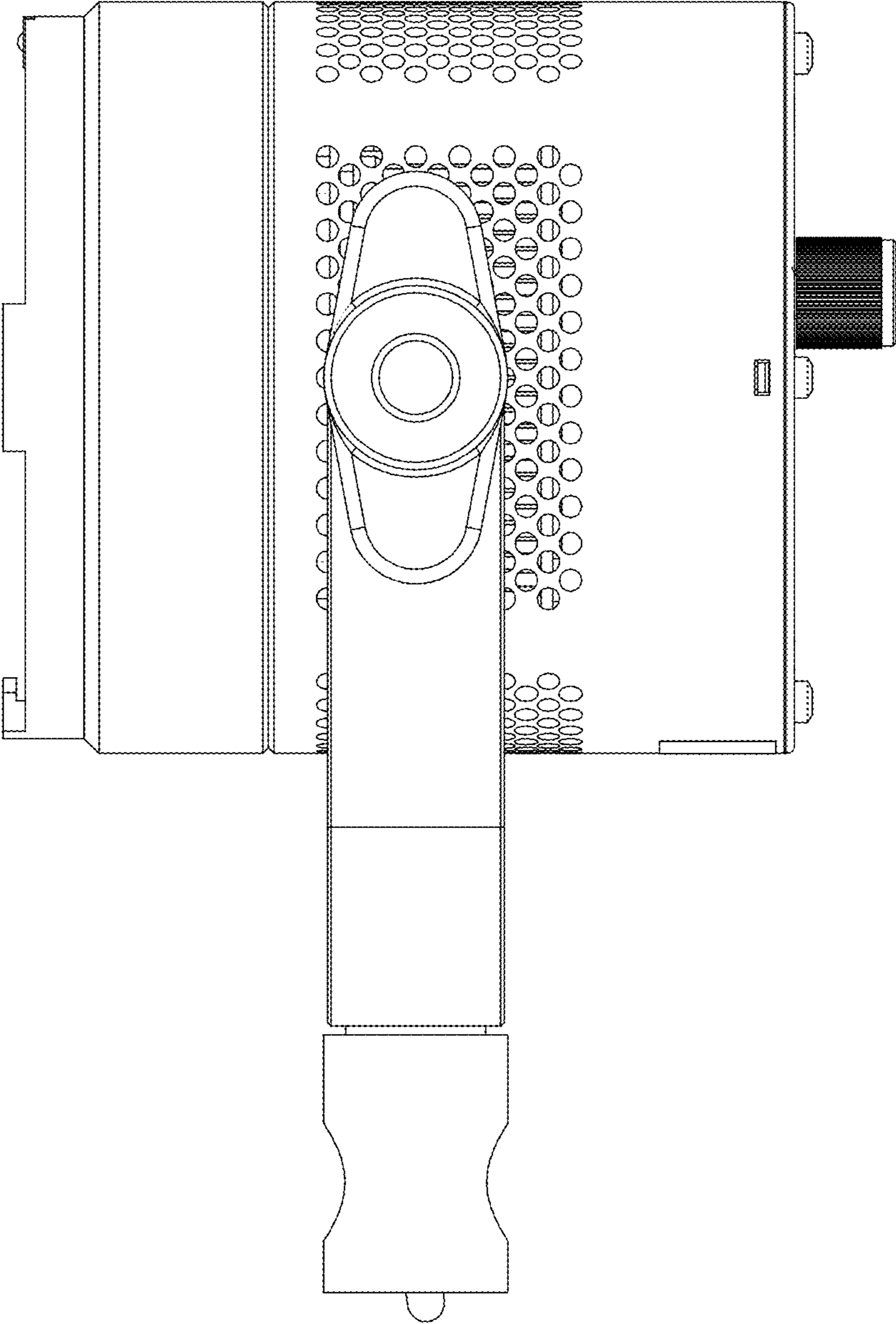


FIG. 6

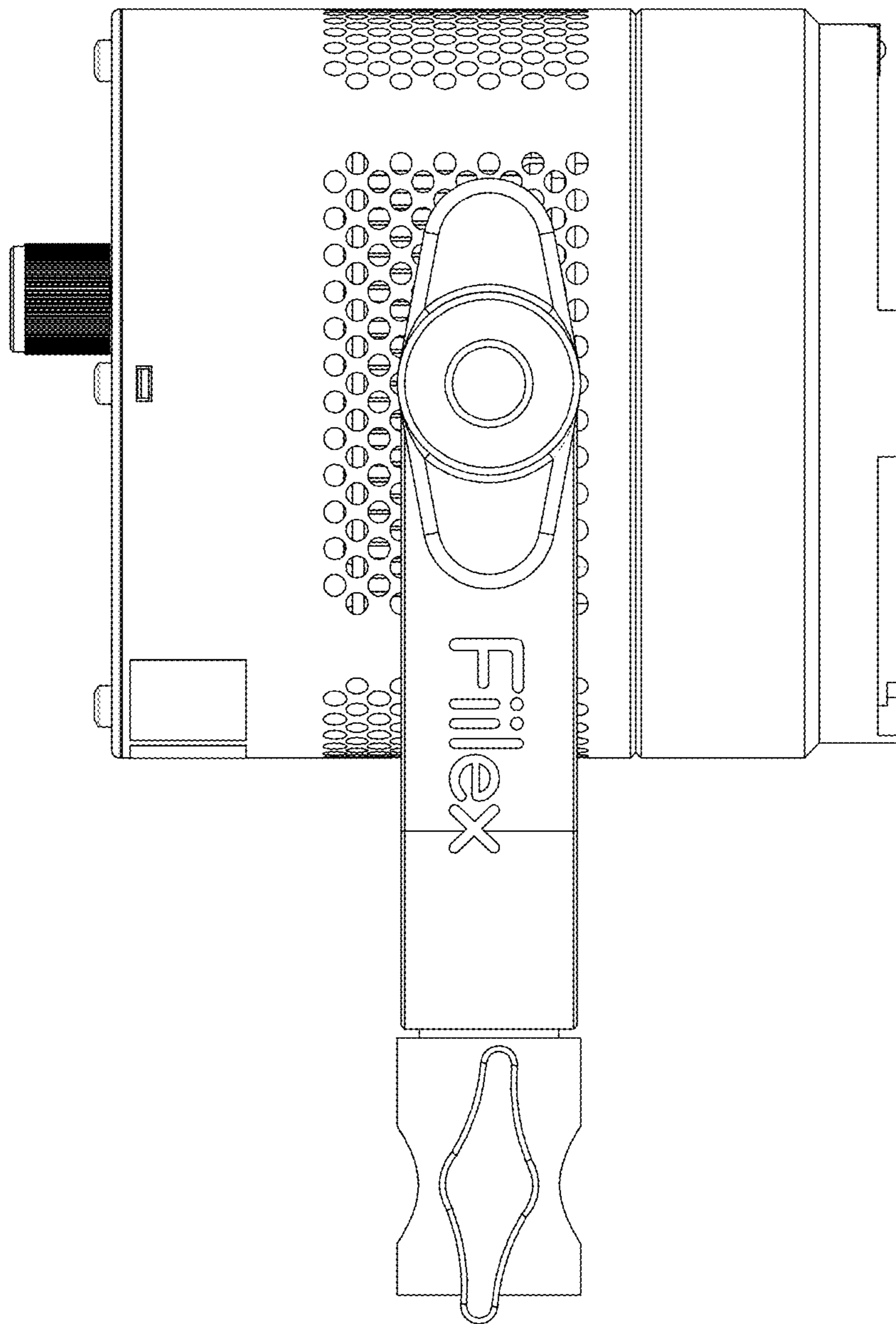


FIG. 7

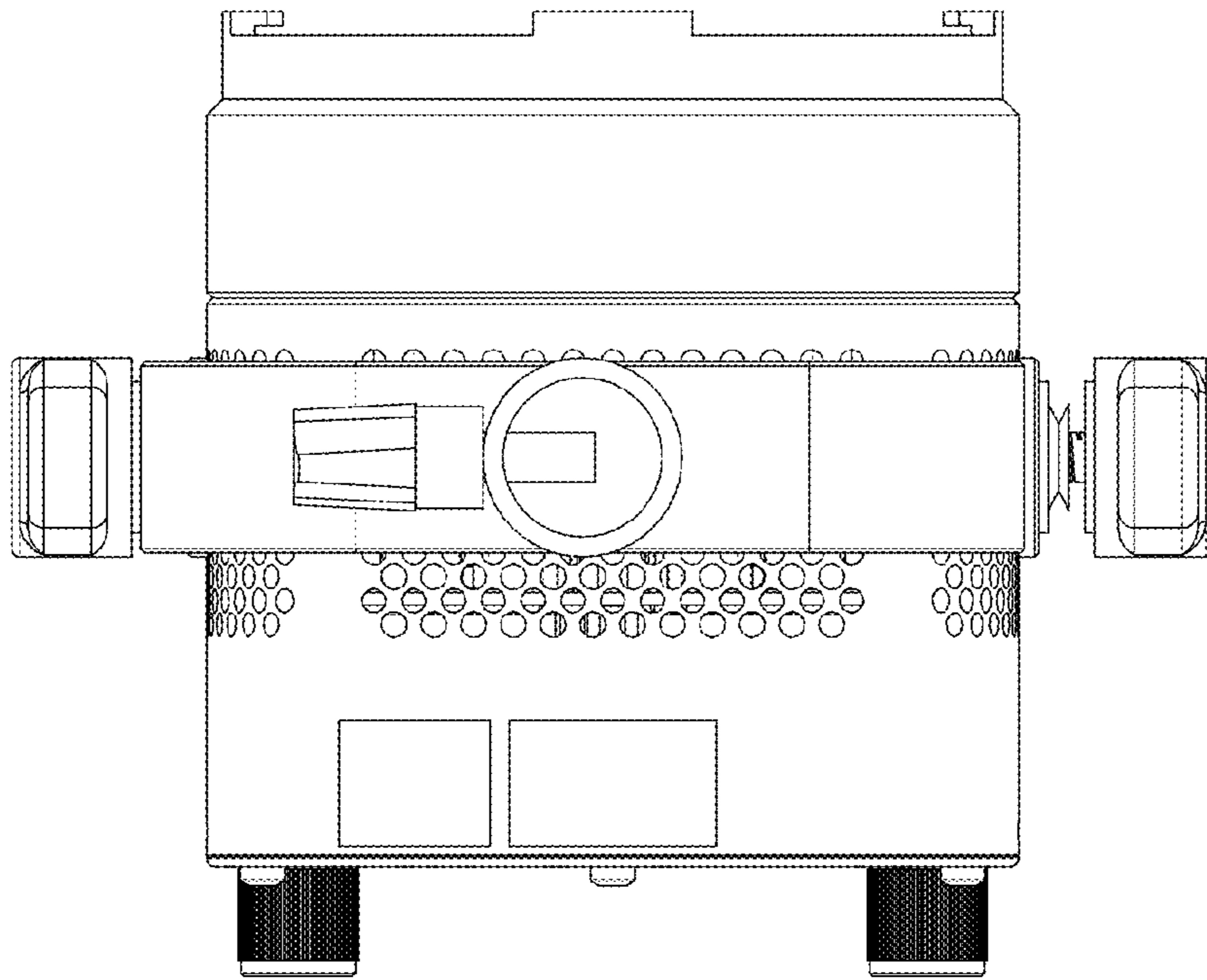


FIG. 8

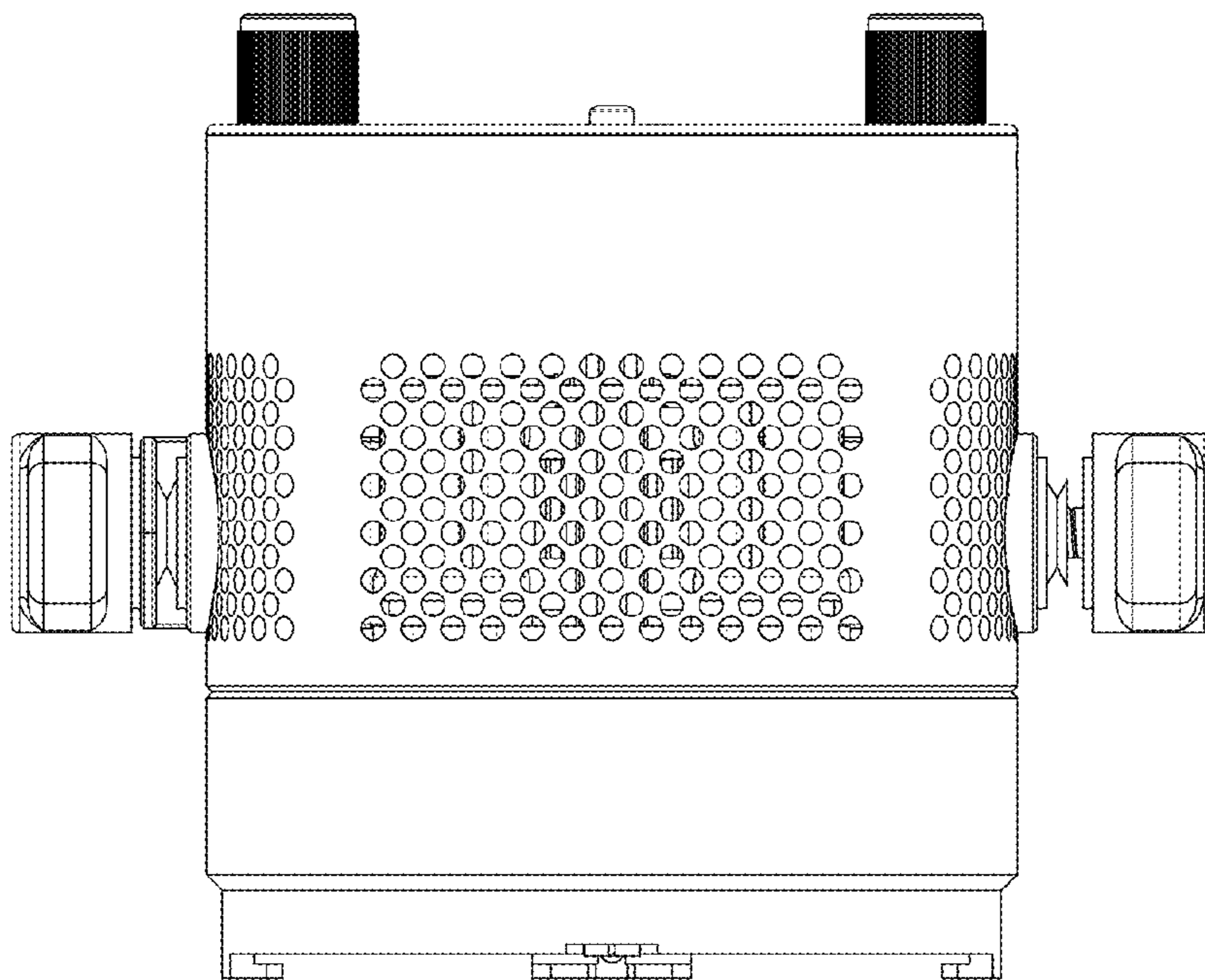


FIG. 9