



US00D735384S

(12) **United States Design Patent**  
**Ehsani**

(10) **Patent No.:** **US D735,384 S**

(45) **Date of Patent:** **\*\* Jul. 28, 2015**

(54) **LIGHTING FIXTURE**

(71) Applicant: **Melody Ehsani**, Los Angeles, CA (US)

(72) Inventor: **Melody Ehsani**, Los Angeles, CA (US)

(\*\*) Term: **14 Years**

(21) Appl. No.: **29/455,989**

(22) Filed: **May 28, 2013**

(51) **LOC (10) Cl.** ..... **26-03**

(52) **U.S. Cl.**  
USPC ..... **D26/63**

(58) **Field of Classification Search**  
USPC ..... D26/1, 24, 61, 63, 65, 85, 92  
CPC ..... F21V 21/14; F21V 15/01; F21V 14/02;  
F21V 21/30; F21V 21/00; F21V 14/00;  
F21S 8/00; F21S 8/003; F21S 8/043; F21Y  
2105/001

See application file for complete search history.

(56) **References Cited**

U.S. PATENT DOCUMENTS

D552,782 S \* 10/2007 Korpi ..... D26/63  
D630,359 S \* 1/2011 Kang et al. .... D26/61

\* cited by examiner

*Primary Examiner* — Brian N Vinson

(74) *Attorney, Agent, or Firm* — JP Webb; Jason P. Webb;  
Danny Y. H. Cheng

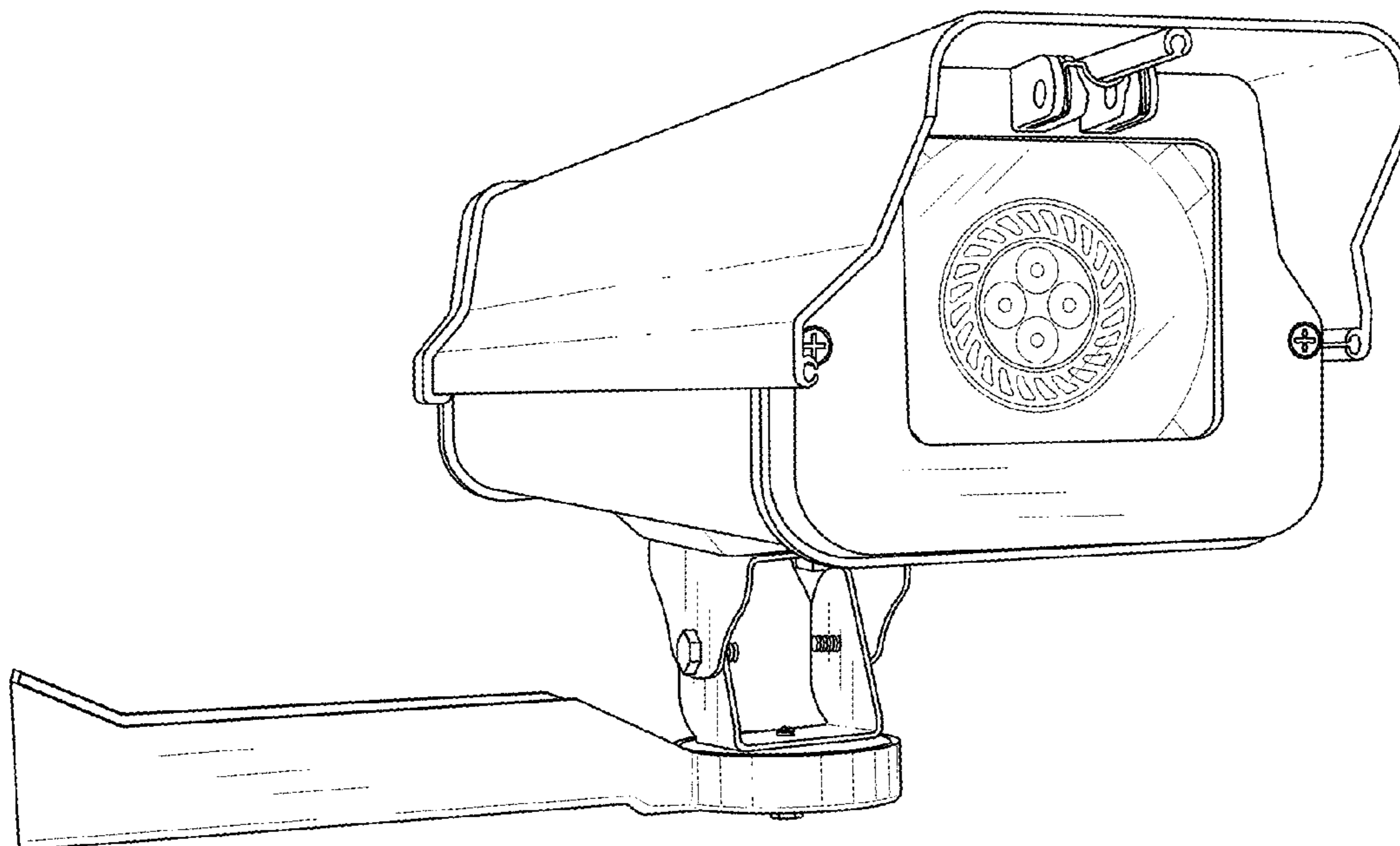
(57) **CLAIM**

The ornamental design for a lighting fixture, as shown and described.

**DESCRIPTION**

FIG. 1 is a perspective view of a lighting device, showing my new design;  
FIG. 2 is a front elevational view of thereof;  
FIG. 3 is a back elevational view thereof;  
FIG. 4 is a right side elevational view thereof;  
FIG. 5 is a left side elevational view thereof;  
FIG. 6 is a top plan view thereof; and,  
FIG. 7 is a bottom plan view thereof.

**1 Claim, 7 Drawing Sheets**



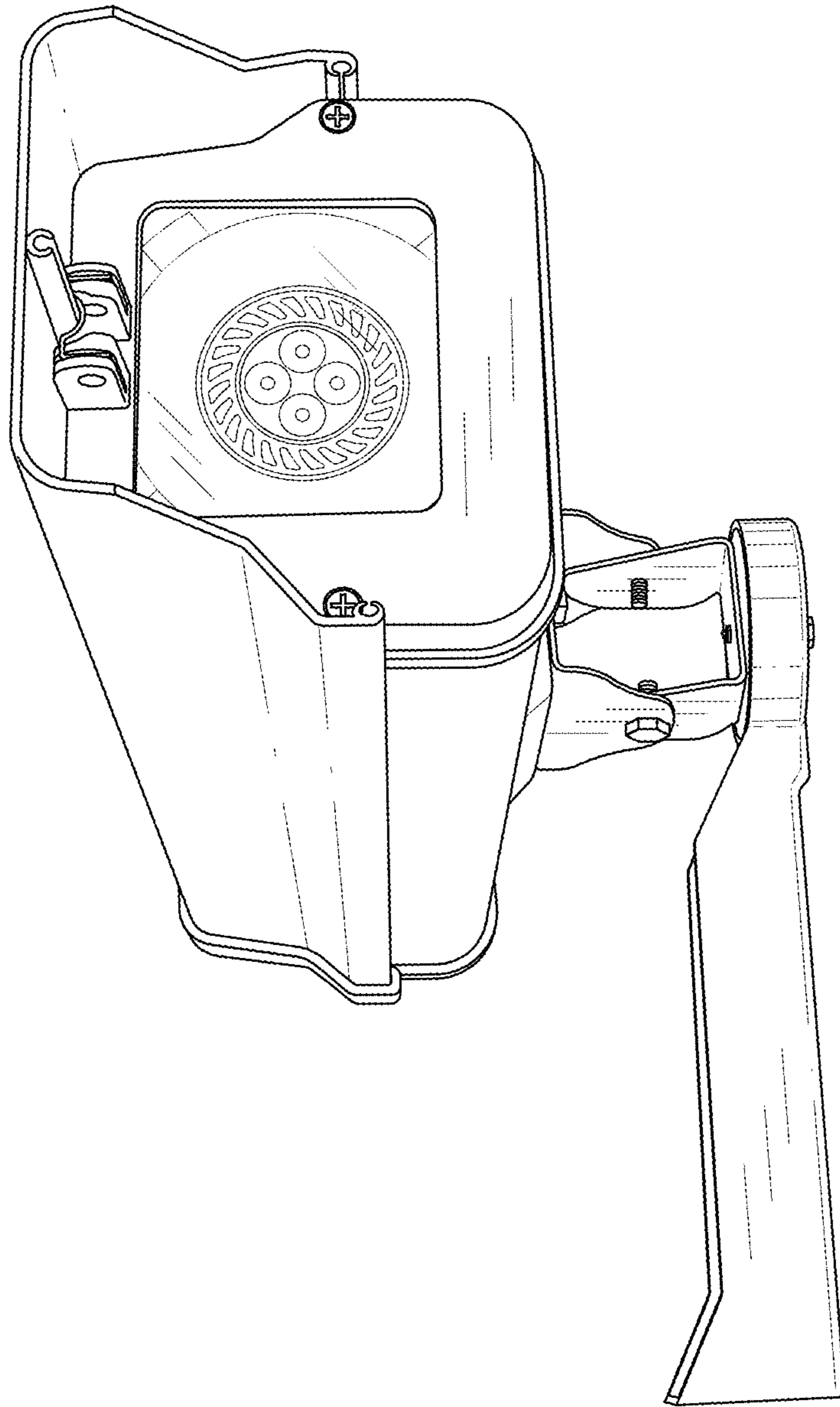


FIG. 1

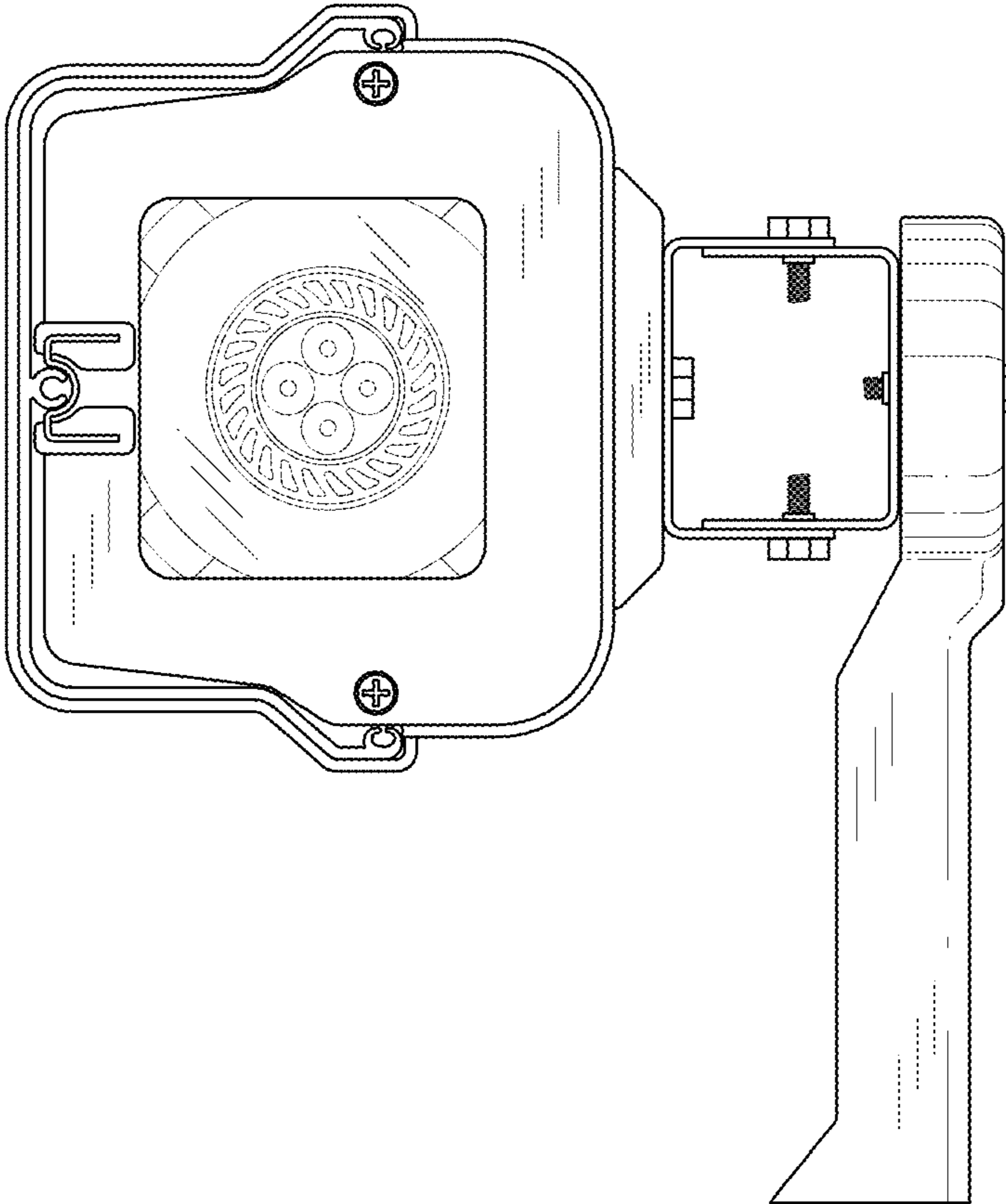


FIG. 2

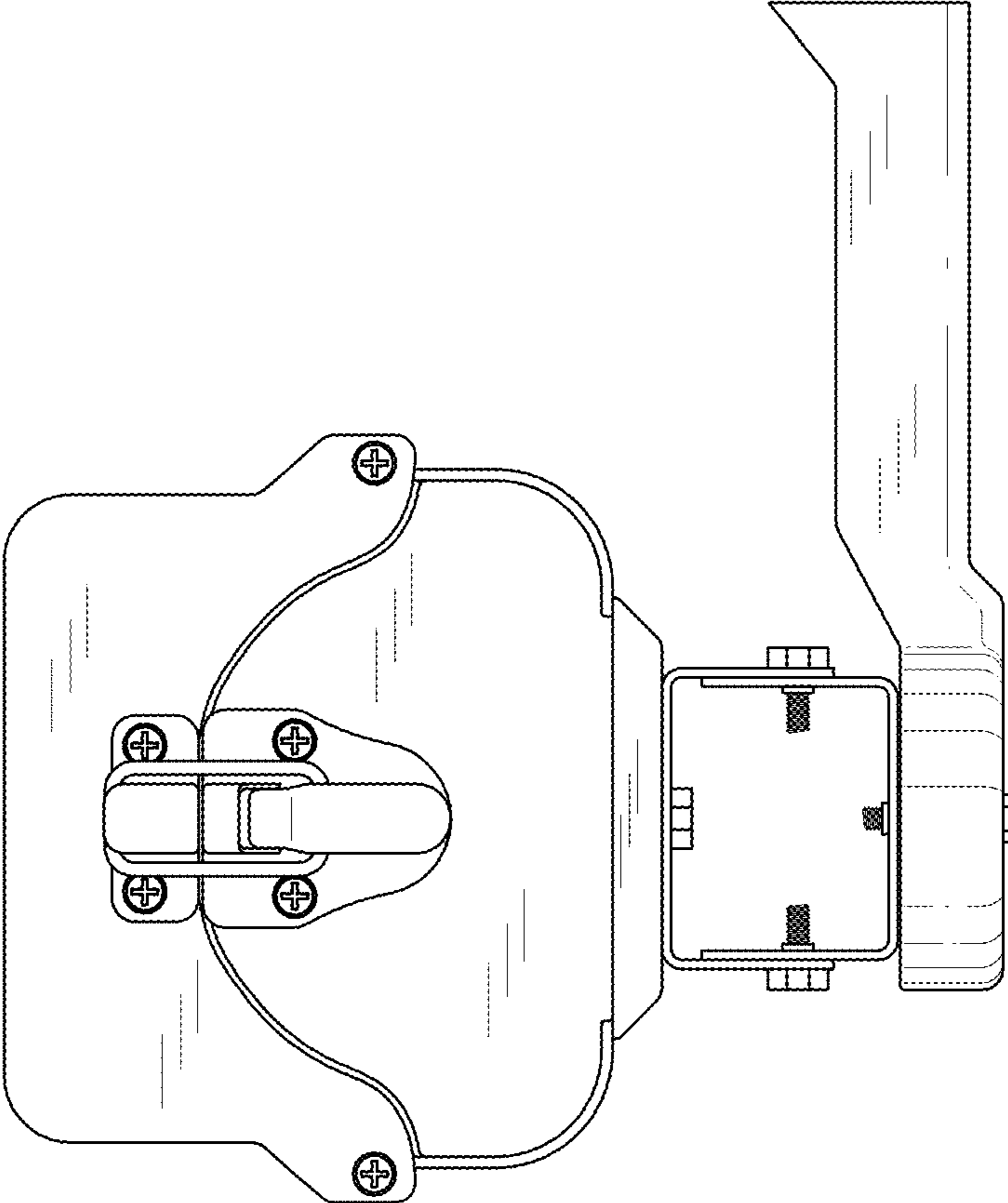


FIG. 3

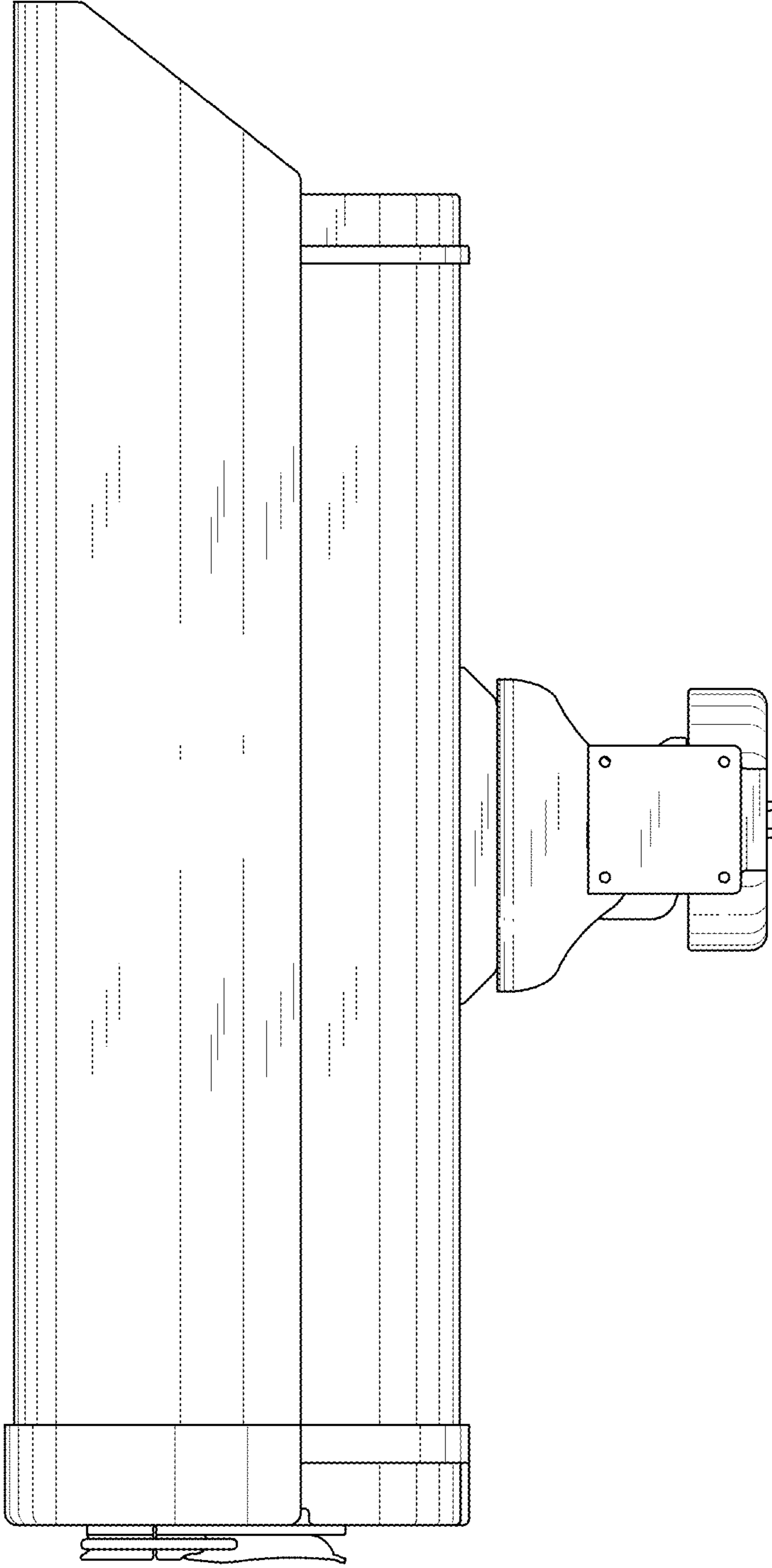


FIG. 4

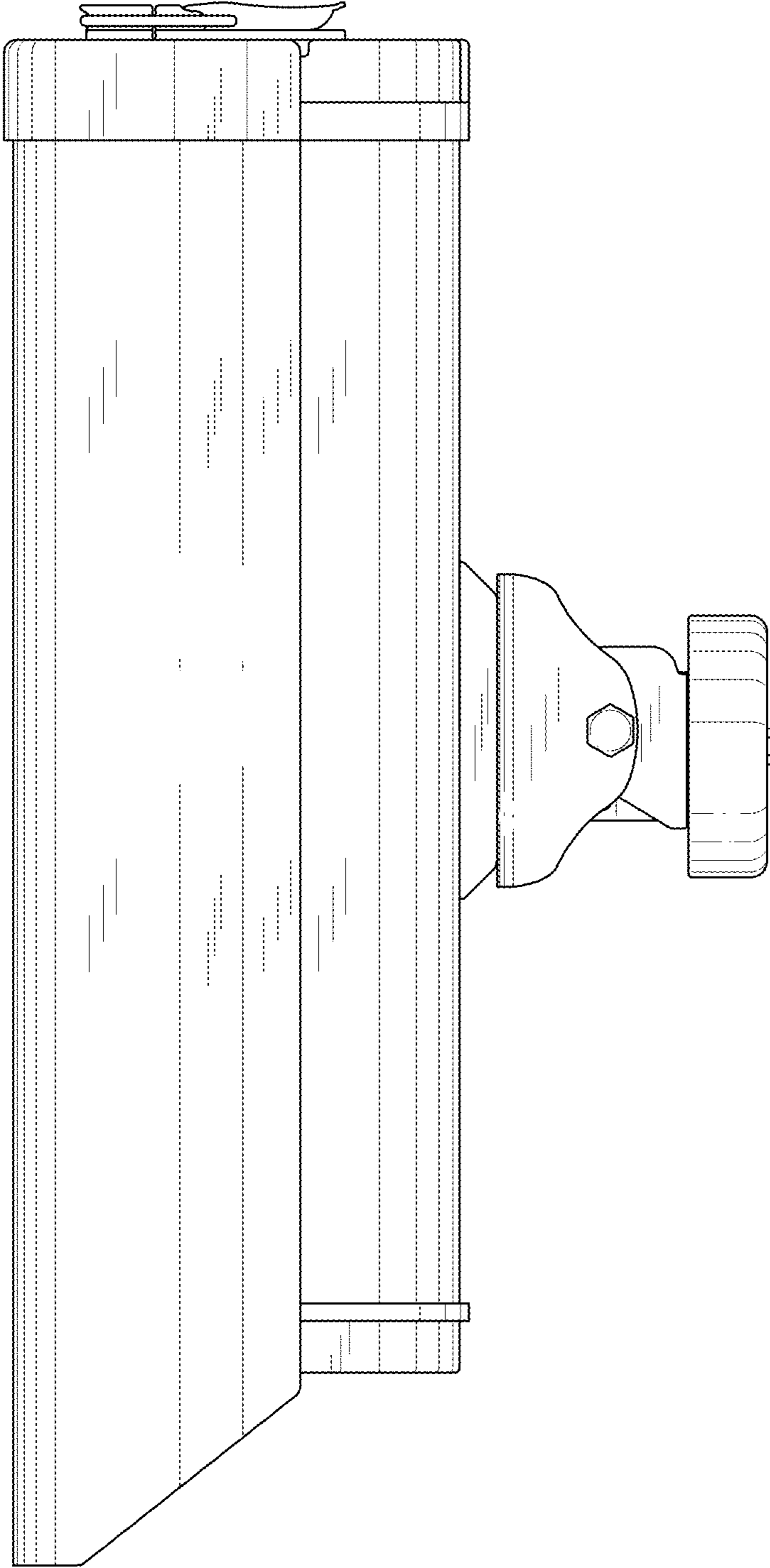


FIG. 5

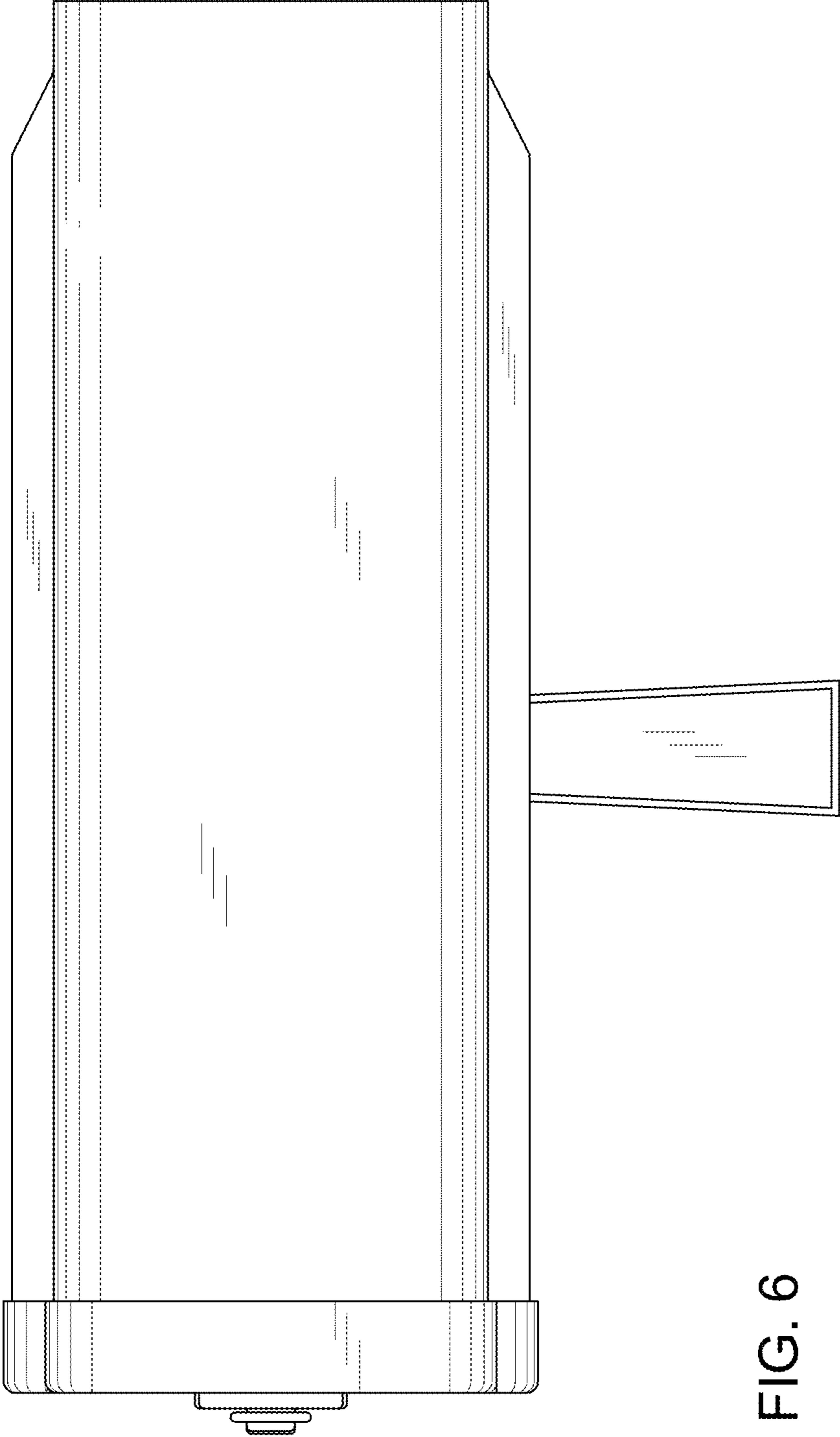


FIG. 6

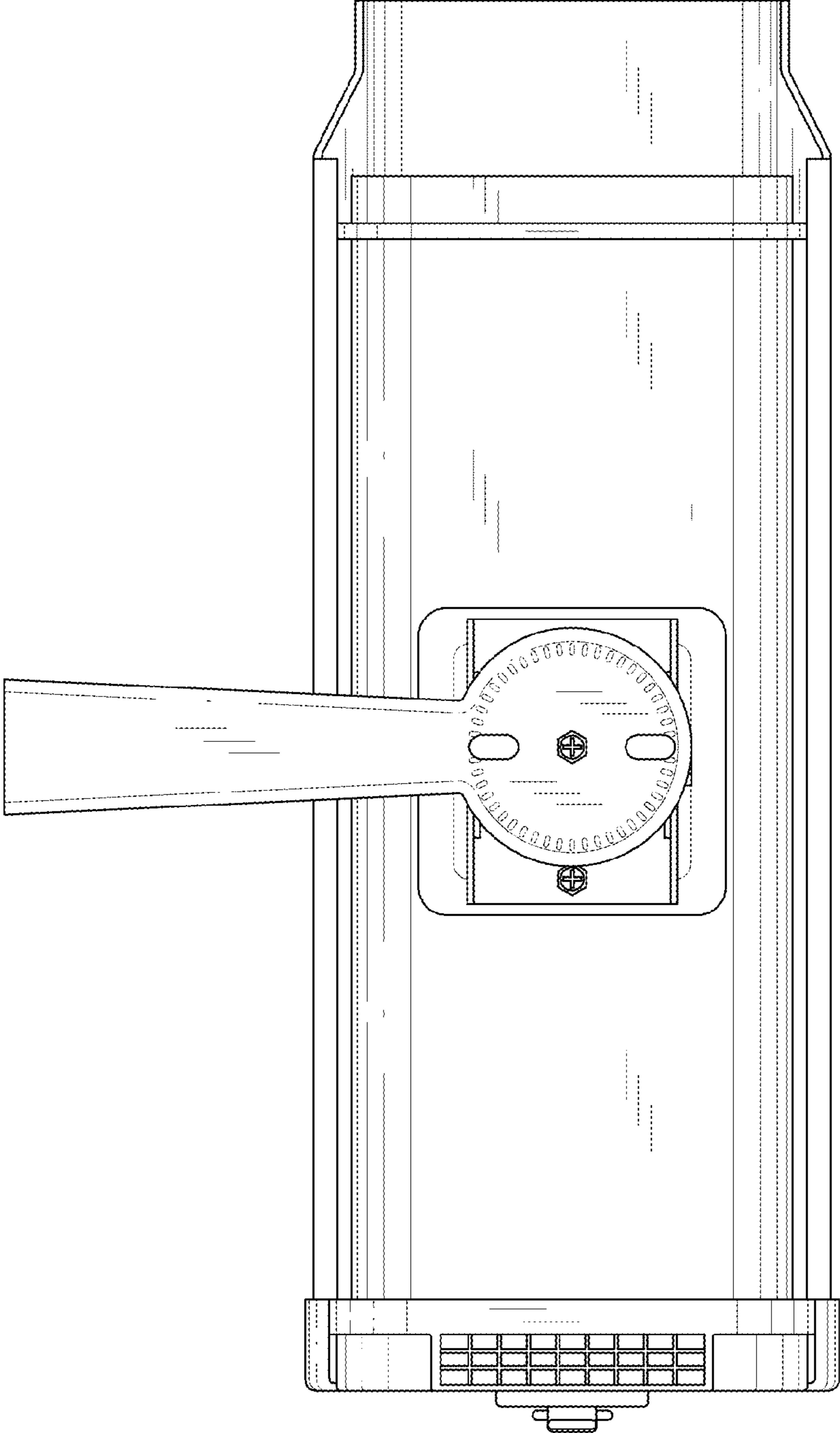


FIG. 7