



US00D735383S

(12) **United States Design Patent**
Zhu

(10) **Patent No.:** **US D735,383 S**
(45) **Date of Patent:** **** Jul. 28, 2015**

(54) **MULTI-ANGLED ADJUSTABLE LED FLOODLIGHT**

(71) Applicant: **Jianrong Zhu**, TaiZhou (CN)

(72) Inventor: **Jianrong Zhu**, TaiZhou (CN)

(**) Term: **14 Years**

(21) Appl. No.: **29/449,736**

(22) Filed: **Mar. 15, 2013**

(51) **LOC (10) Cl.** **26-03**

(52) **U.S. Cl.**
USPC **D26/63**

(58) **Field of Classification Search**
USPC D26/1, 24, 61, 63, 65, 85, 92
CPC F21V 21/14; F21V 15/01; F21V 14/02;
F21V 21/30; F21V 21/00; F21V 14/00;
F21S 8/00; F21S 8/003; F21S 8/043; F21Y
2105/001

See application file for complete search history.

(56) **References Cited**

U.S. PATENT DOCUMENTS

D580,577 S *	11/2008	Wang et al.	D26/63
D625,870 S *	10/2010	Feigenbaum	D26/63
D665,937 S *	8/2012	Wang	D26/63
D666,345 S *	8/2012	Wang	D26/63
D666,348 S *	8/2012	Wang	D26/63
D712,581 S *	9/2014	Scarlata et al.	D26/65

* cited by examiner

Primary Examiner — Brian N Vinson

(74) *Attorney, Agent, or Firm* — Michael D. Eisenberg

(57) **CLAIM**

The ornamental design for a multi-angled adjustable LED floodlight, as shown and described.

DESCRIPTION

FIG. 1 is a perspective view from the front and above of a multi-angled adjustable LED floodlight showing my new design;

FIG. 2 is a perspective view from the back and above of the multi-angled adjustable LED floodlight;

FIG. 3 is a back view of the multi-angled adjustable LED floodlight;

FIG. 4 is a front view of the multi-angled adjustable LED floodlight;

FIG. 5 is a left side view of the multi-angled adjustable LED floodlight;

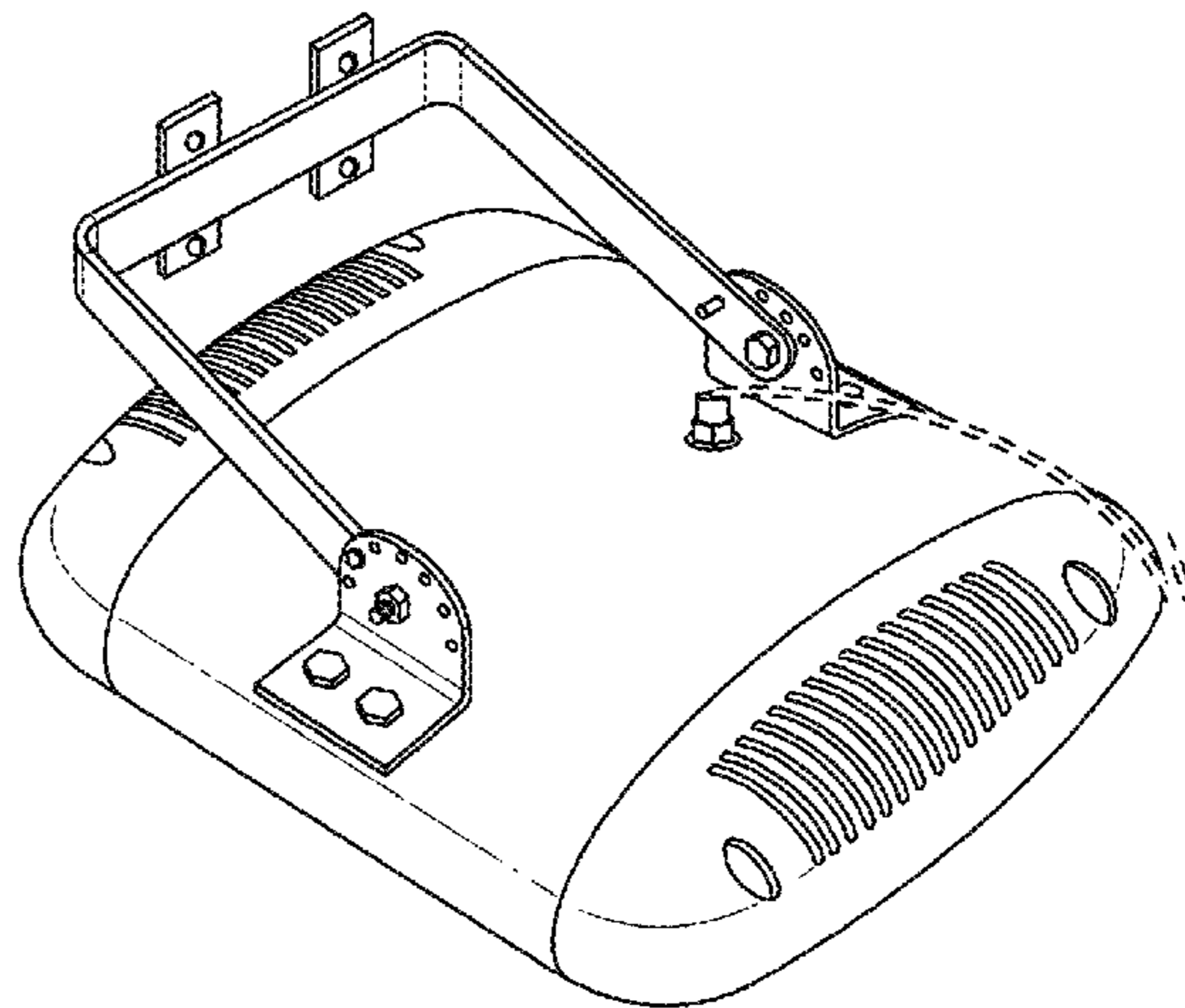
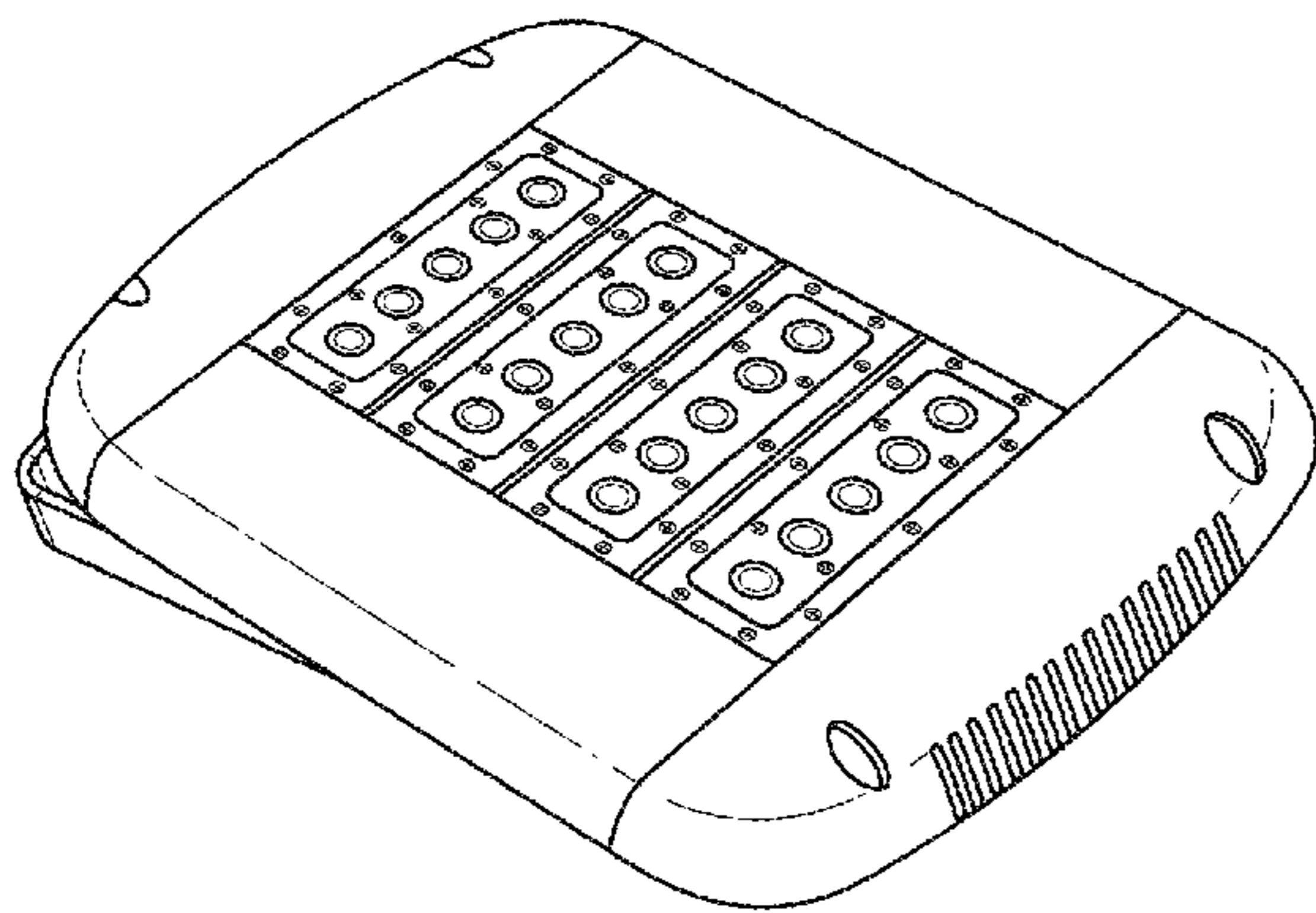
FIG. 6 is a right side view of the multi-angled adjustable LED floodlight;

FIG. 7 is a bottom view of the multi-angled adjustable LED floodlight; and,

FIG. 8 is a top view of the multi-angled adjustable LED floodlight.

The broken lines shown are for illustrative purposes only and form no part of the claimed design.

1 Claim, 8 Drawing Sheets



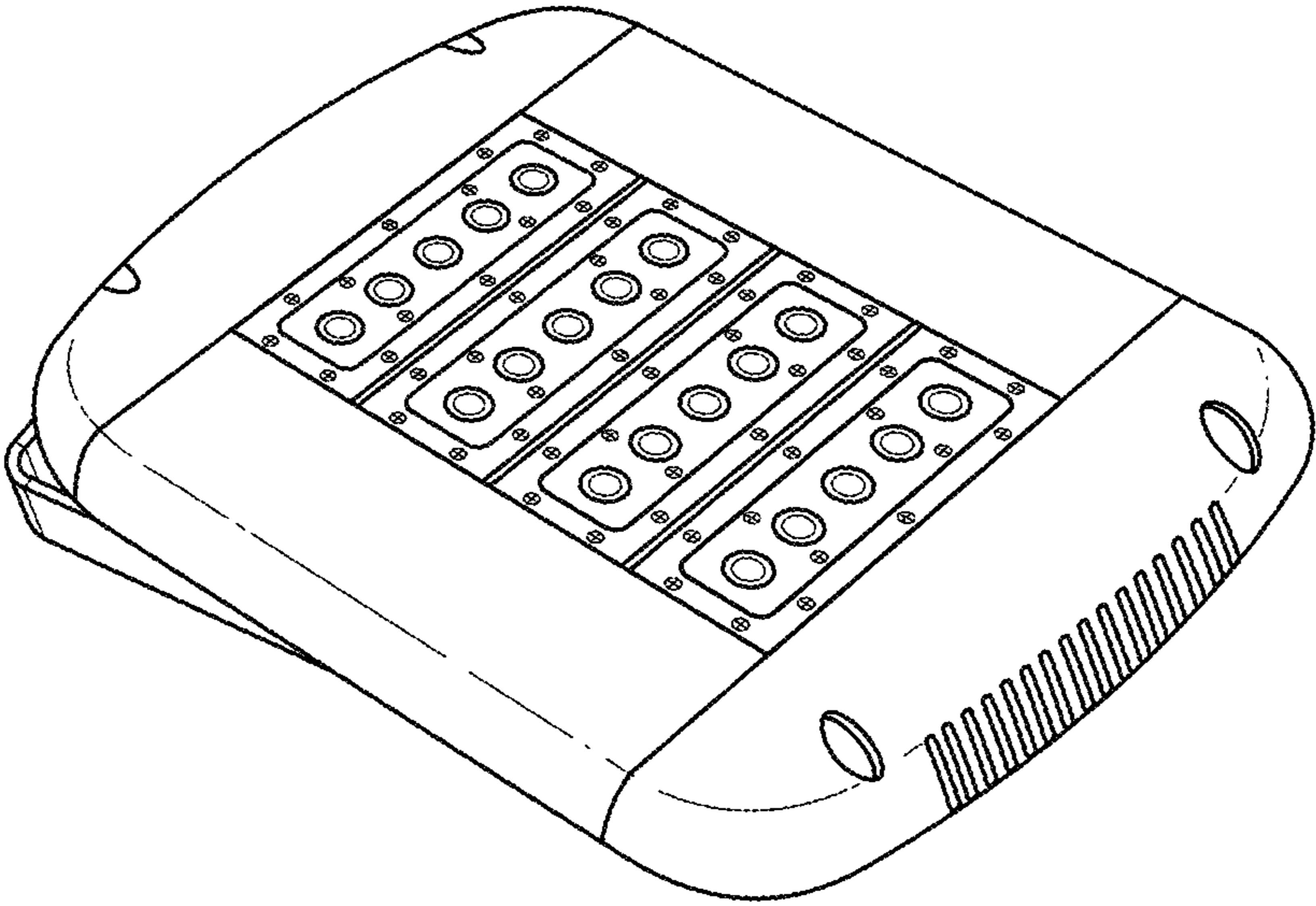


FIG. 1

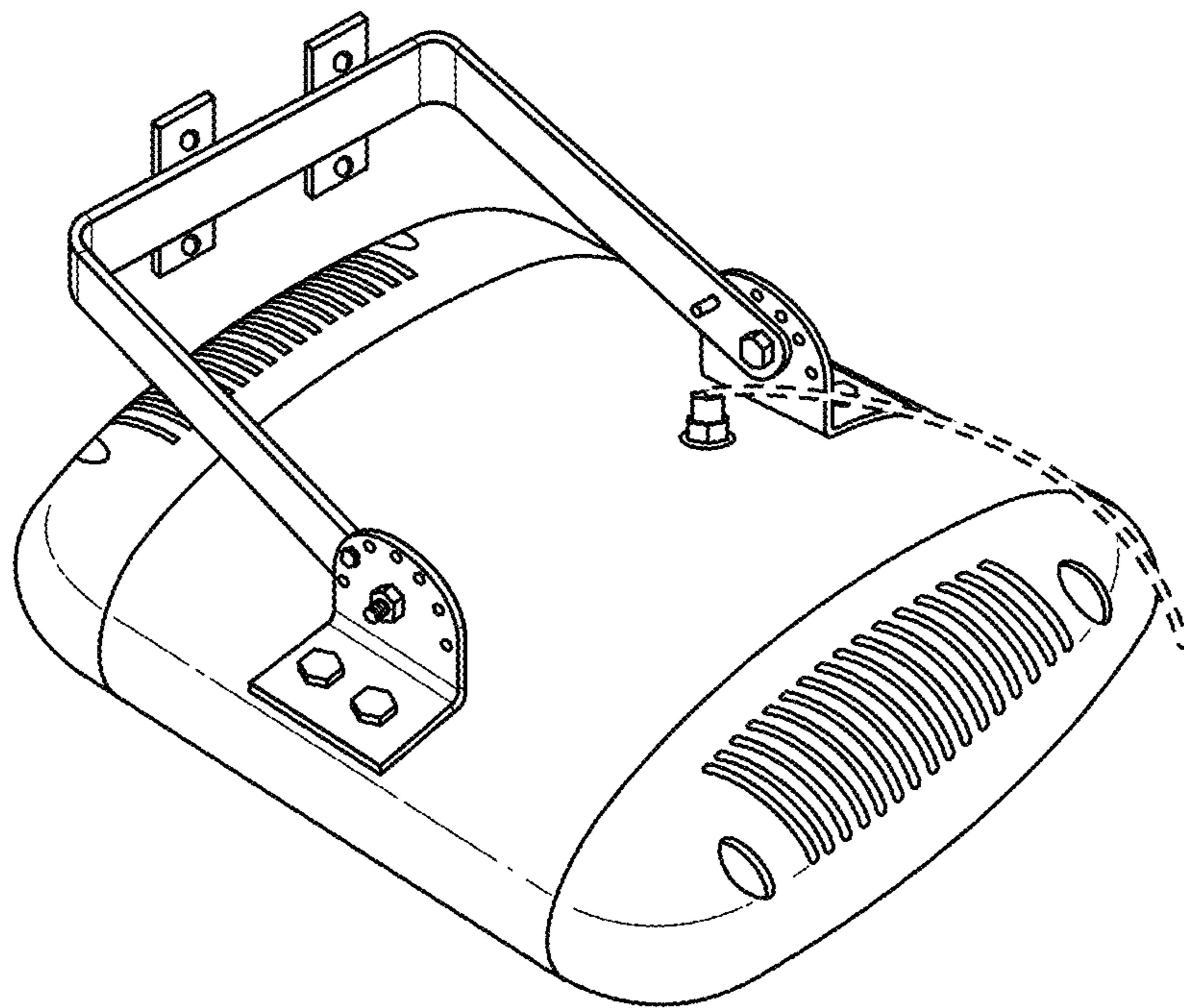


FIG. 2

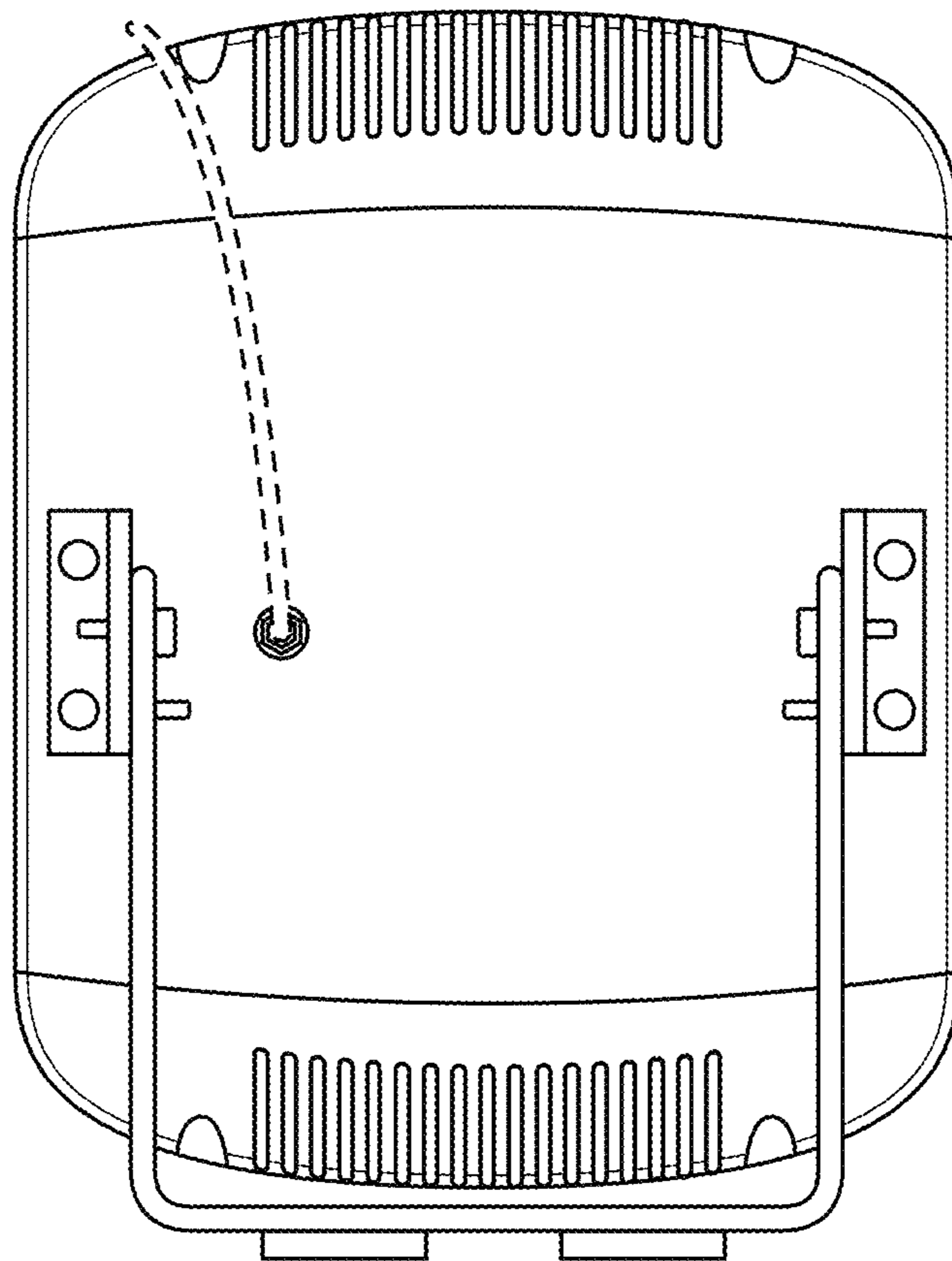


FIG. 3

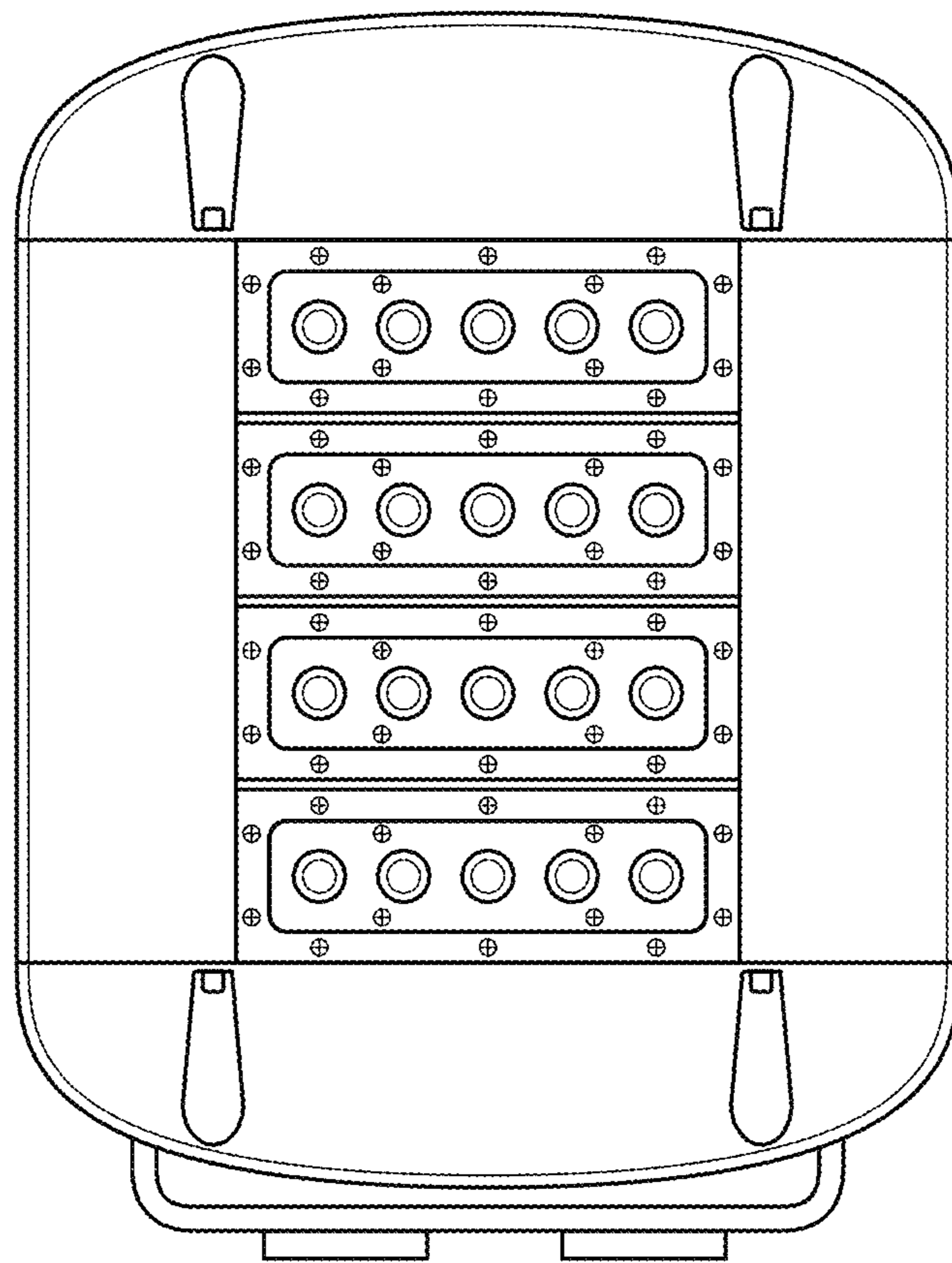


FIG. 4

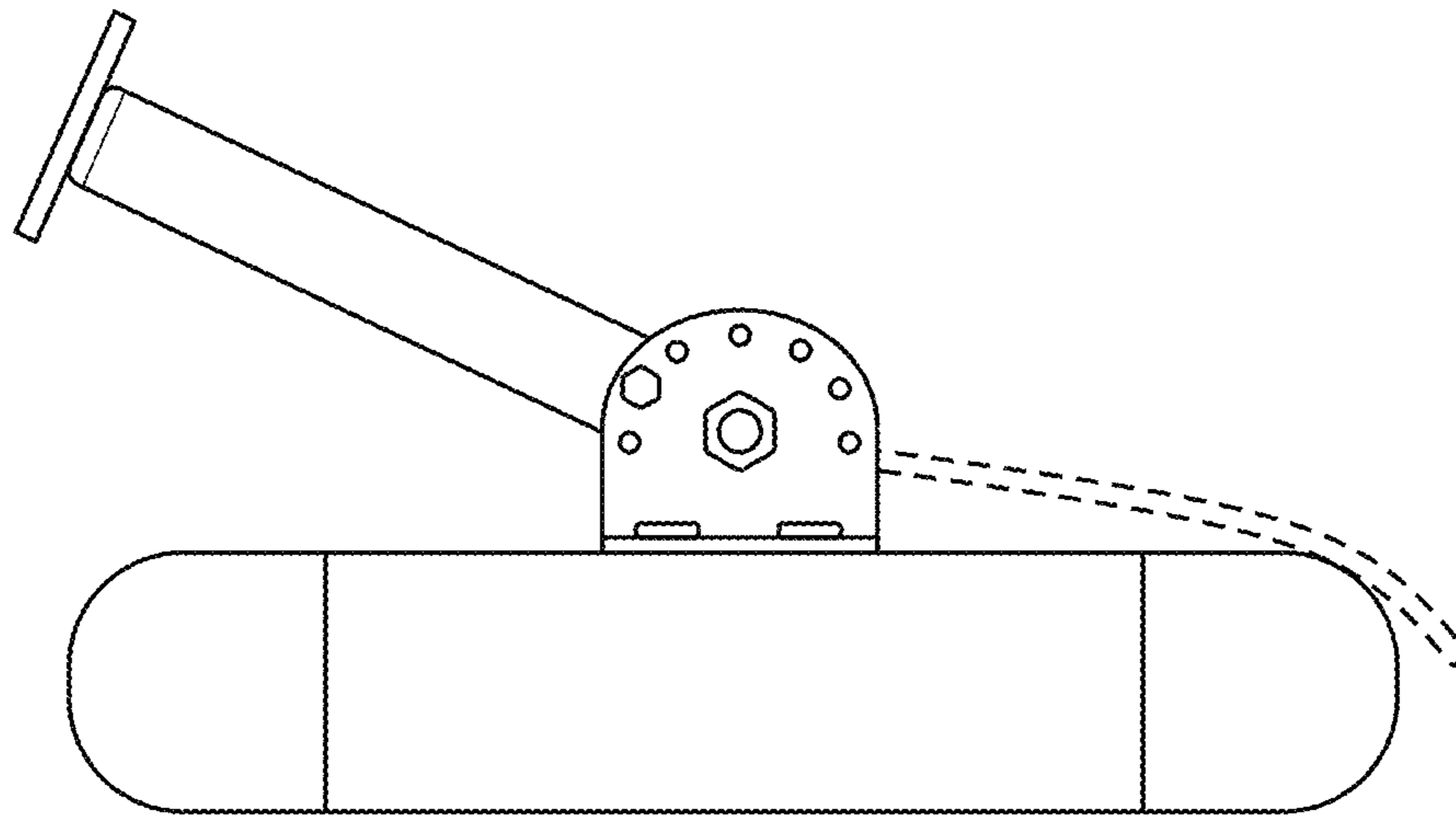


FIG. 5

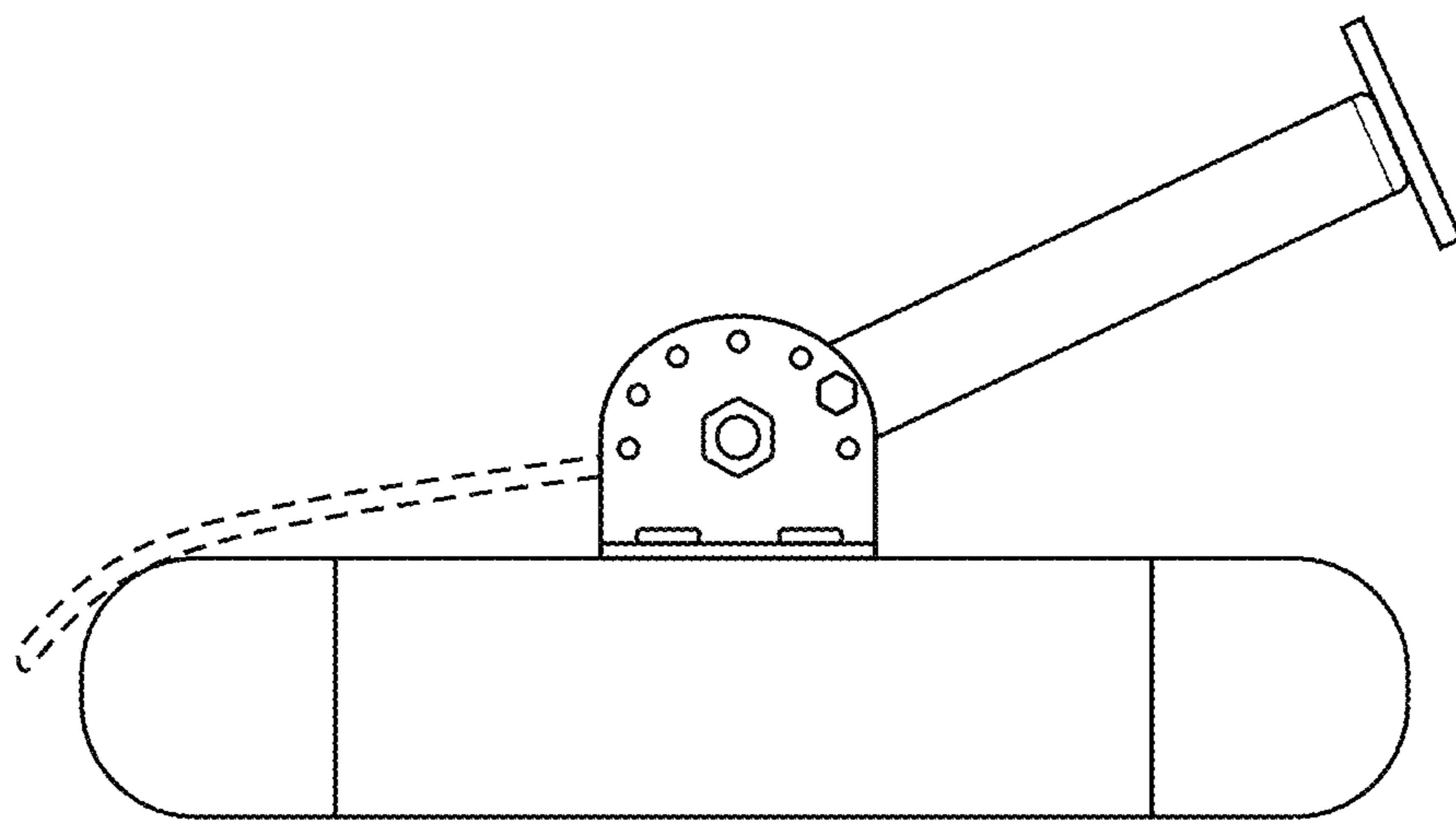


FIG. 6

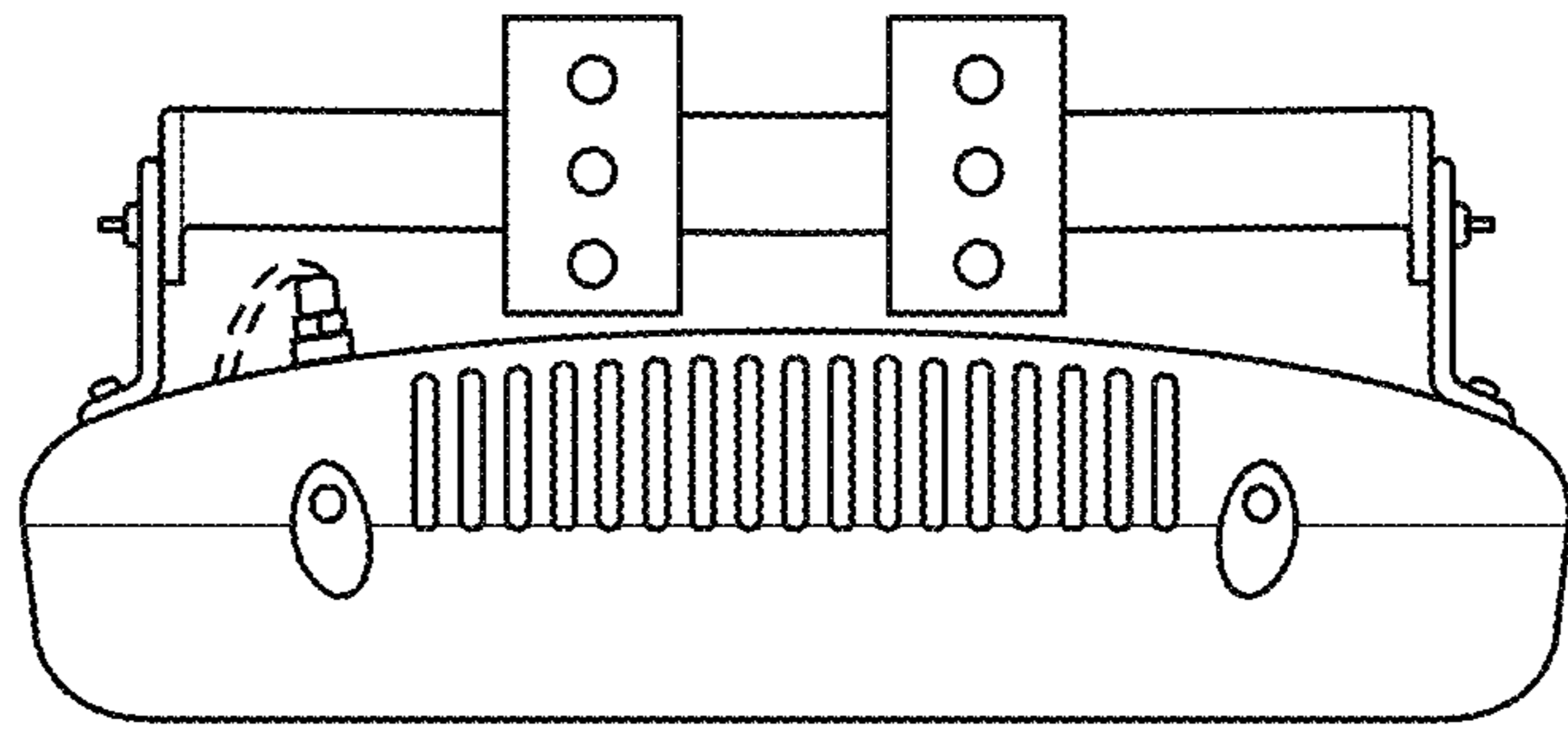


FIG. 7

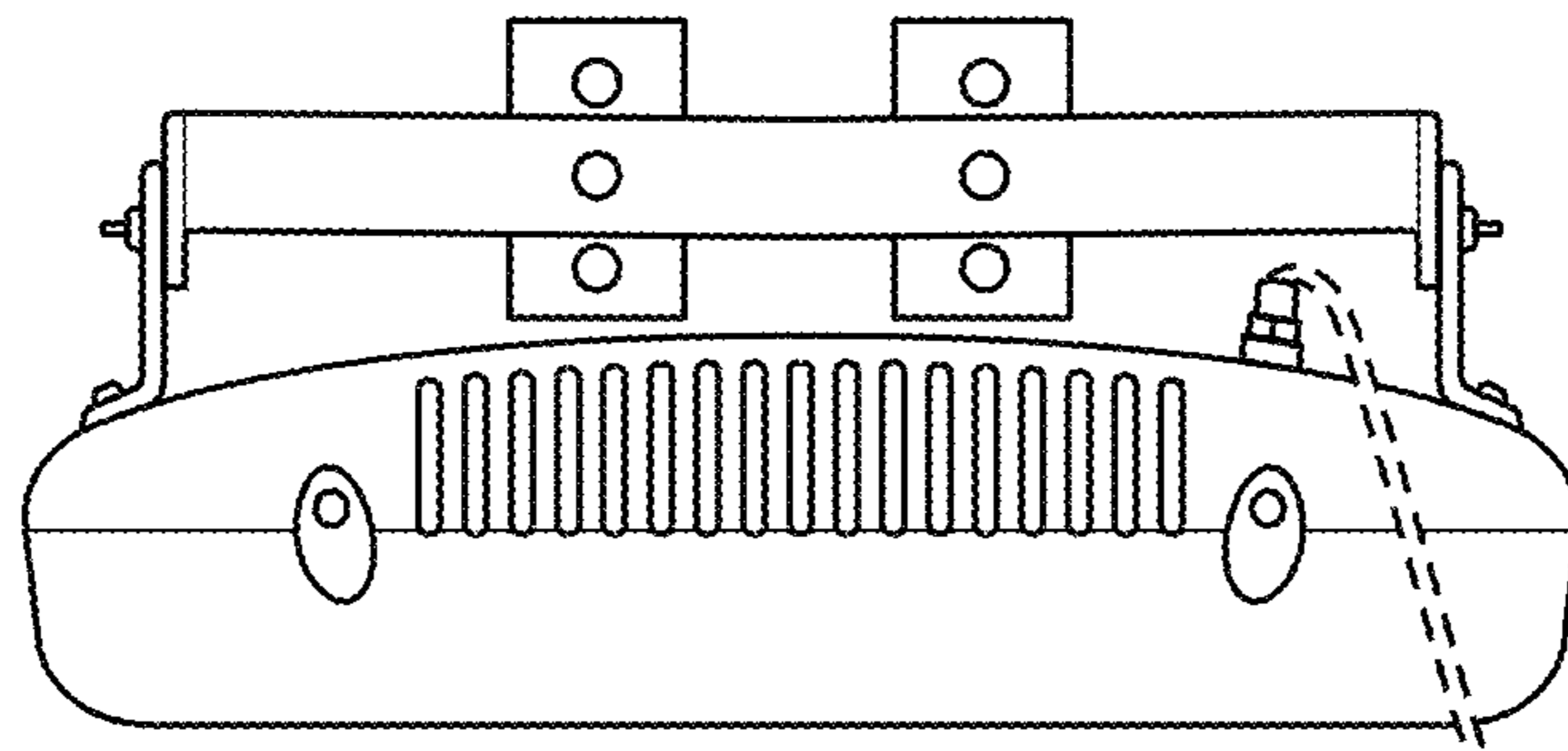


FIG. 8