



US00D735382S

(12) **United States Design Patent**
Blanchette

(10) **Patent No.:** **US D735,382 S**
(45) **Date of Patent:** **** Jul. 28, 2015**

(54) **ILLUMINATING SLEEVE**

(71) Applicant: **David Raymond Blanchette**, Bradford, MA (US)

(72) Inventor: **David Raymond Blanchette**, Bradford, MA (US)

(73) Assignee: **Brush Lite Innovations, LLC**, Haverhill, MA (US)

(**) Term: **14 Years**

(21) Appl. No.: **29/448,483**

(22) Filed: **Mar. 12, 2013**

(51) **LOC (10) Cl.** **26-02**

(52) **U.S. Cl.**
USPC **D26/38**; D4/199

(58) **Field of Classification Search**
USPC D26/37, 38, 45, 46, 51, 52; 362/157, 362/158, 183, 184, 194-196, 202-208, 362/253; D3/288; D4/199, 108, 113, 116, D4/138; D9/483; 15/4, 297
CPC F21L 2/00; F21L 4/00; F21L 4/005; F21L 17/00; F21L 13/08; F21Y 2101/00; F21V 21/30; F21V 21/406; F21W 2131/406; F21W 2131/407; A46B 15/0036; A46B 15/0044

See application file for complete search history.

(56) **References Cited**

U.S. PATENT DOCUMENTS

D161,653	S	*	1/1951	Sacks	D4/199
4,751,762	A	*	6/1988	Meimeteas	15/246
D511,412	S	*	11/2005	Madrid et al.	D4/199
7,207,437	B1	*	4/2007	Johansson	206/15.3
D544,119	S	*	6/2007	Ding et al.	D26/37
D562,010	S	*	2/2008	Goulet et al.	D4/199
D565,216	S	*	3/2008	Markell	D26/37
D572,907	S	*	7/2008	Byrne	D4/199
D606,688	S	*	12/2009	Ma	D26/46
D634,460	S	*	3/2011	Seal et al.	D26/37
D657,650	S	*	4/2012	Rubin et al.	D8/105
D661,907	S	*	6/2012	Birkland	D4/199
8,926,117	B2	*	1/2015	Blanchette	362/109
2012/0294470	A1	*	11/2012	Saltalamacchia	381/334
2012/0324663	A1	*	12/2012	Fleischer	15/106

* cited by examiner

Primary Examiner — Ian Simmons

Assistant Examiner — Carissa C Fitts

(74) *Attorney, Agent, or Firm* — Ascentage Law, PLLC

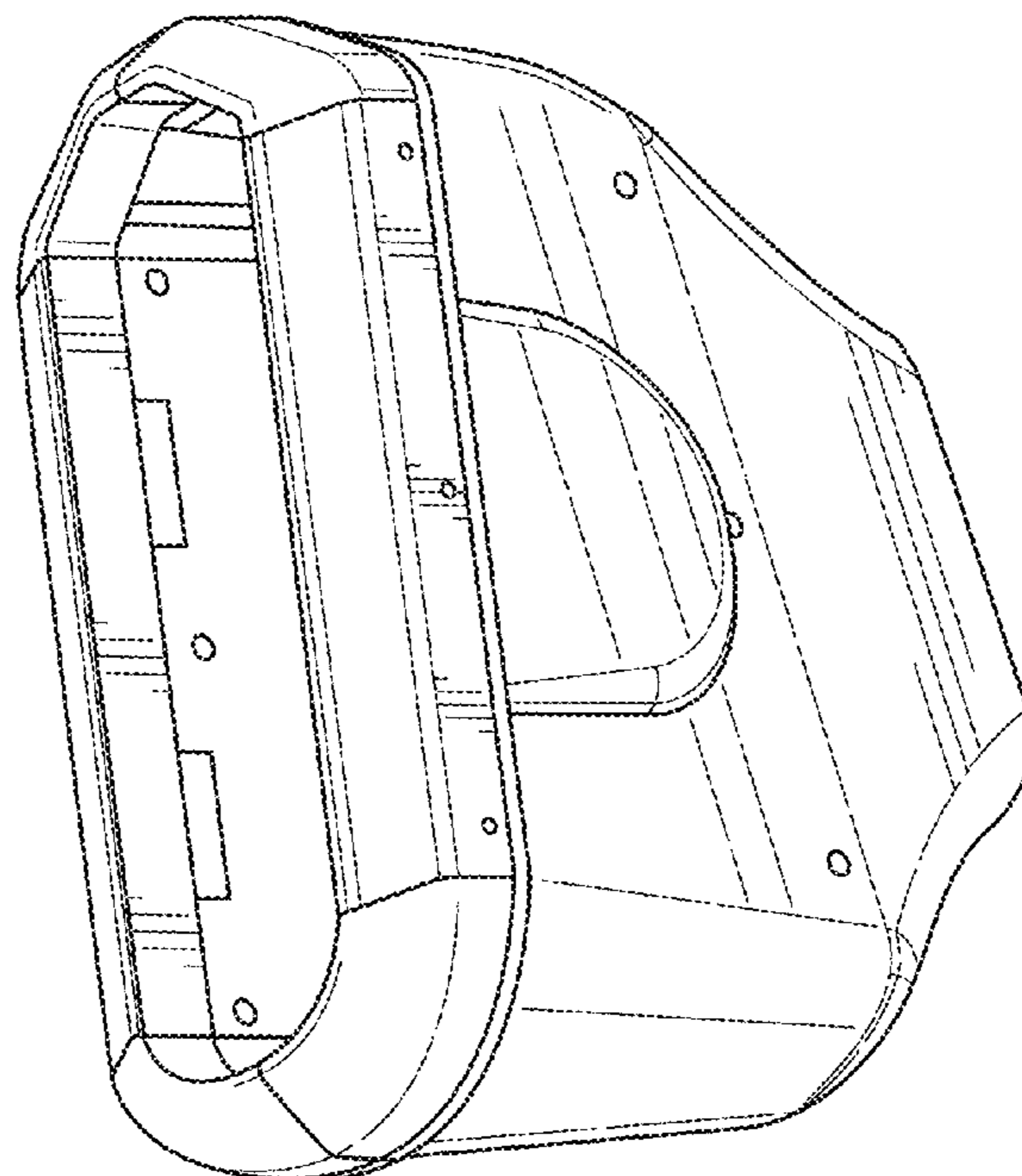
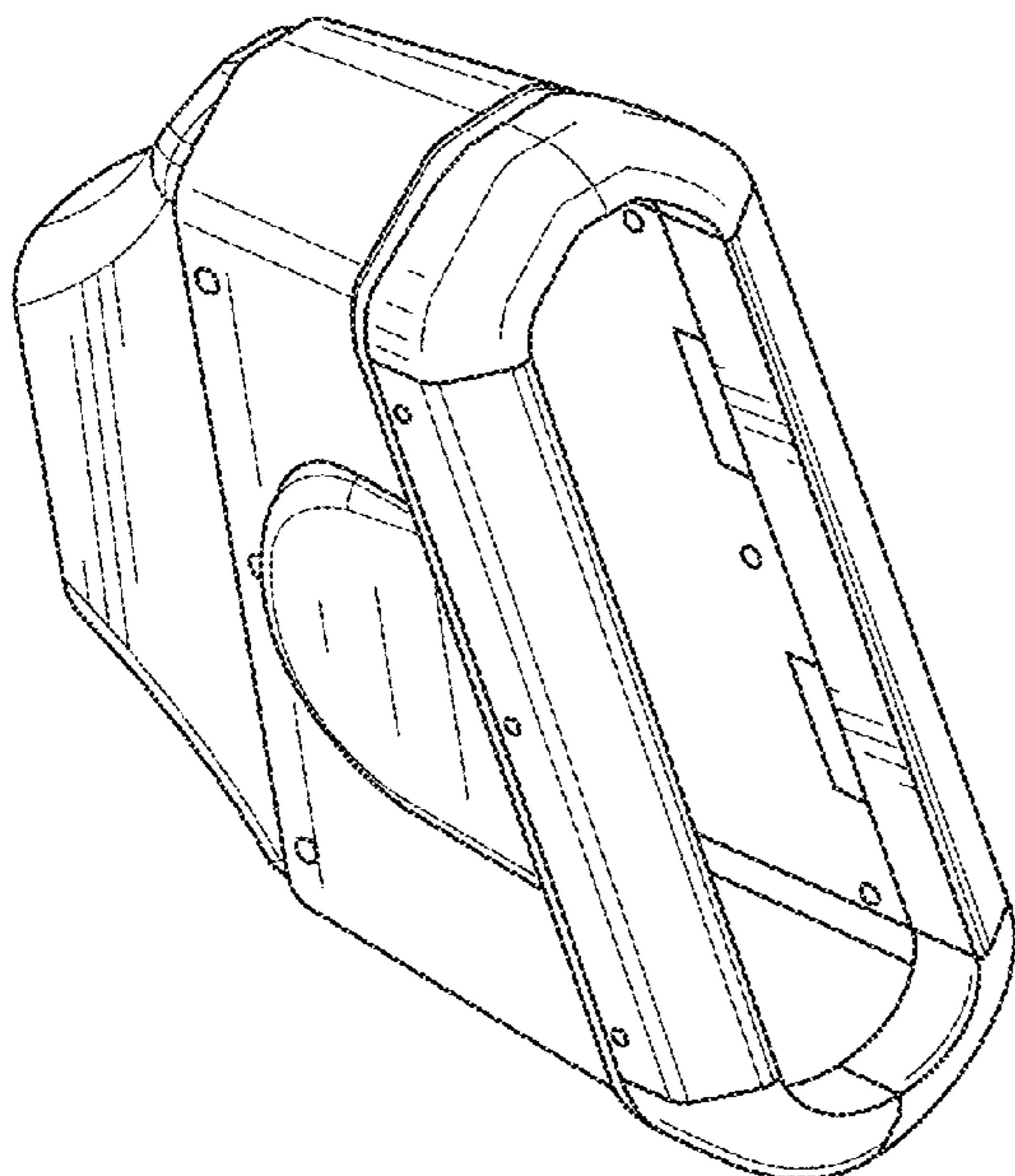
(57) **CLAIM**

The ornamental design for an illuminating sleeve, as shown and described.

DESCRIPTION

FIG. 1 is a top perspective view of an illuminating sleeve showing my new design;
FIG. 2 is front perspective view thereof;
FIG. 3 is a front view thereof;
FIG. 4 is a bottom view thereof;
FIG. 5 is a top view thereof;
FIG. 6 is a right side view thereof; and,
FIG. 7 is a left side view thereof.

1 Claim, 6 Drawing Sheets



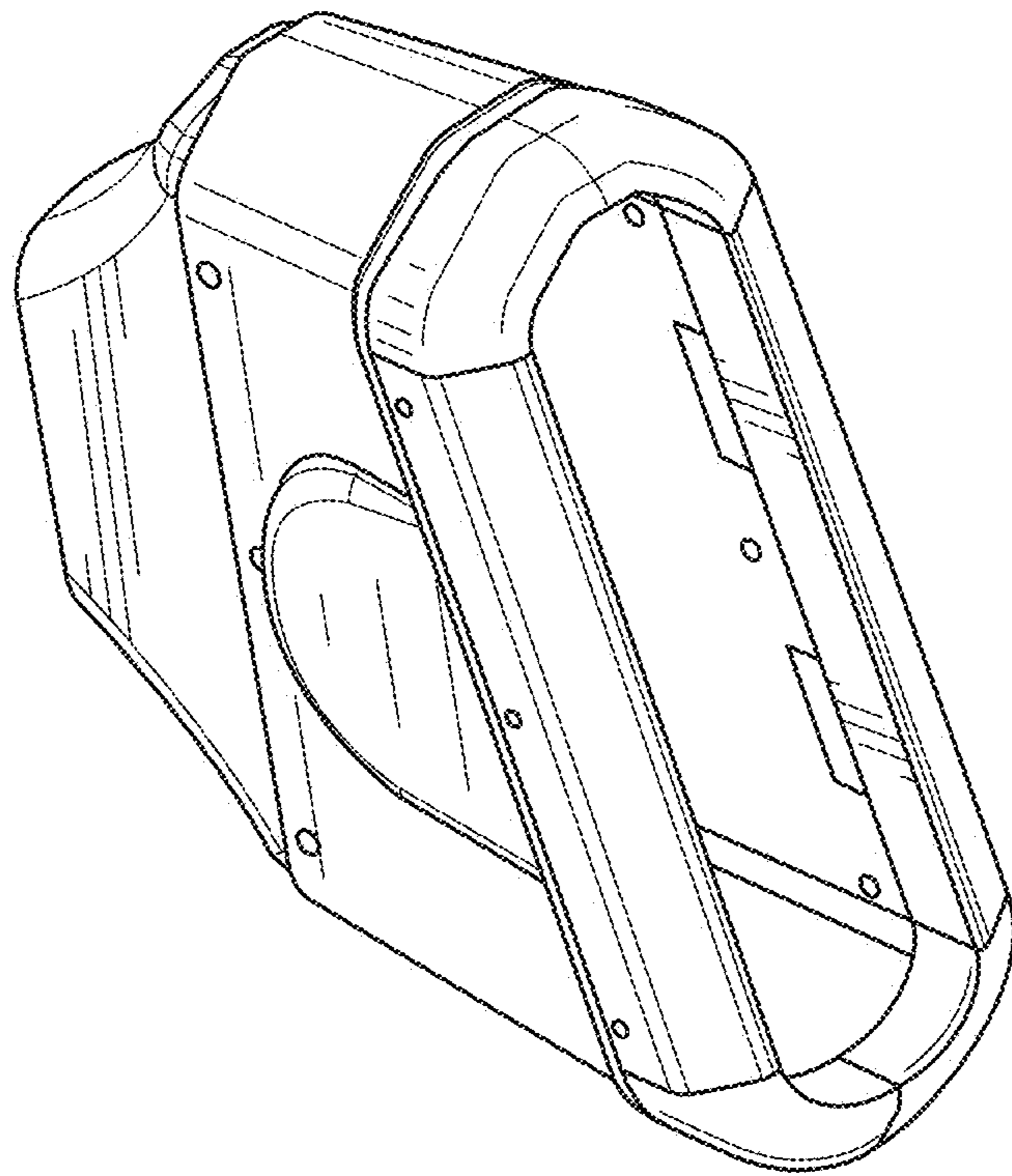


FIG. 1

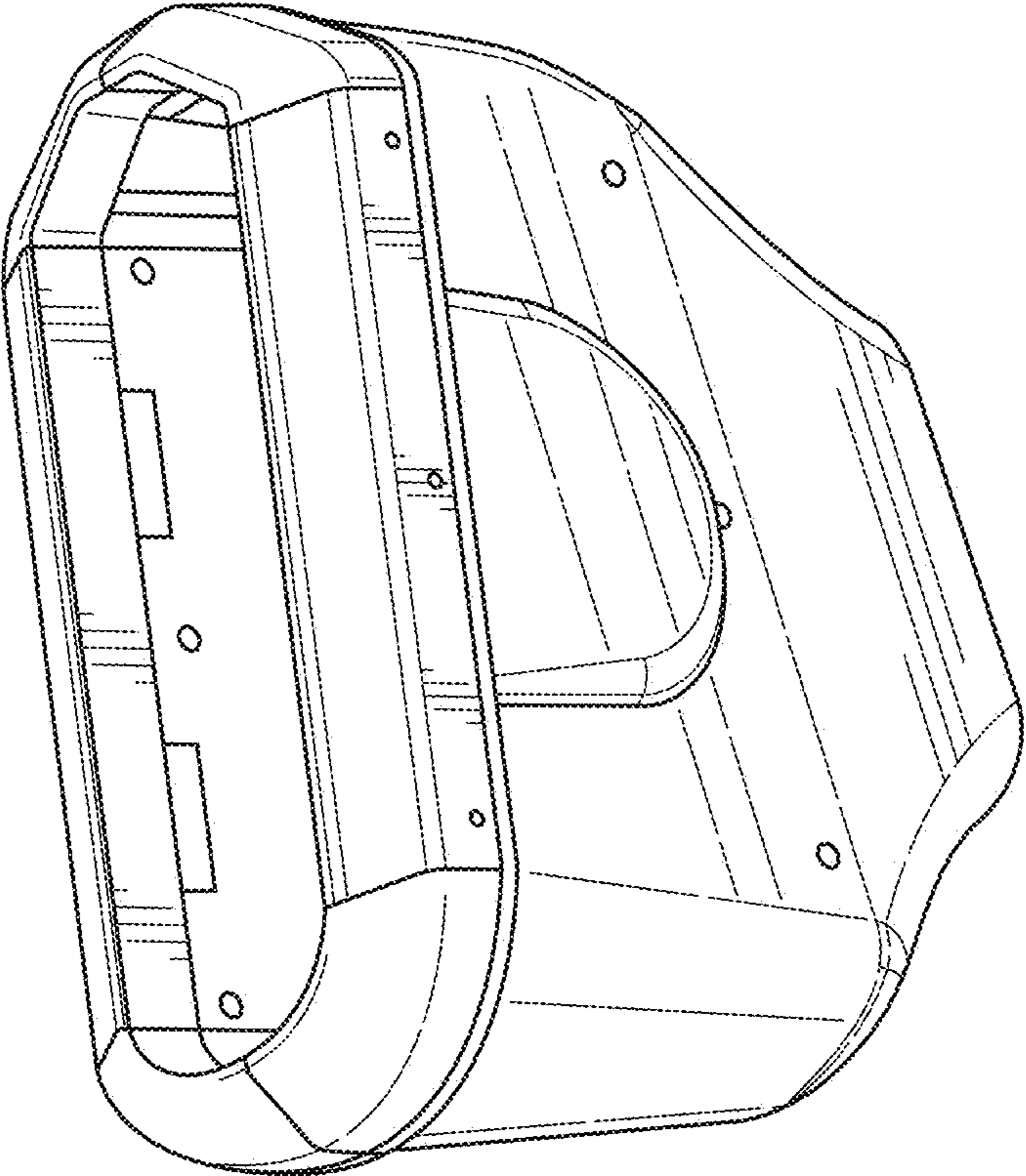


FIG. 2

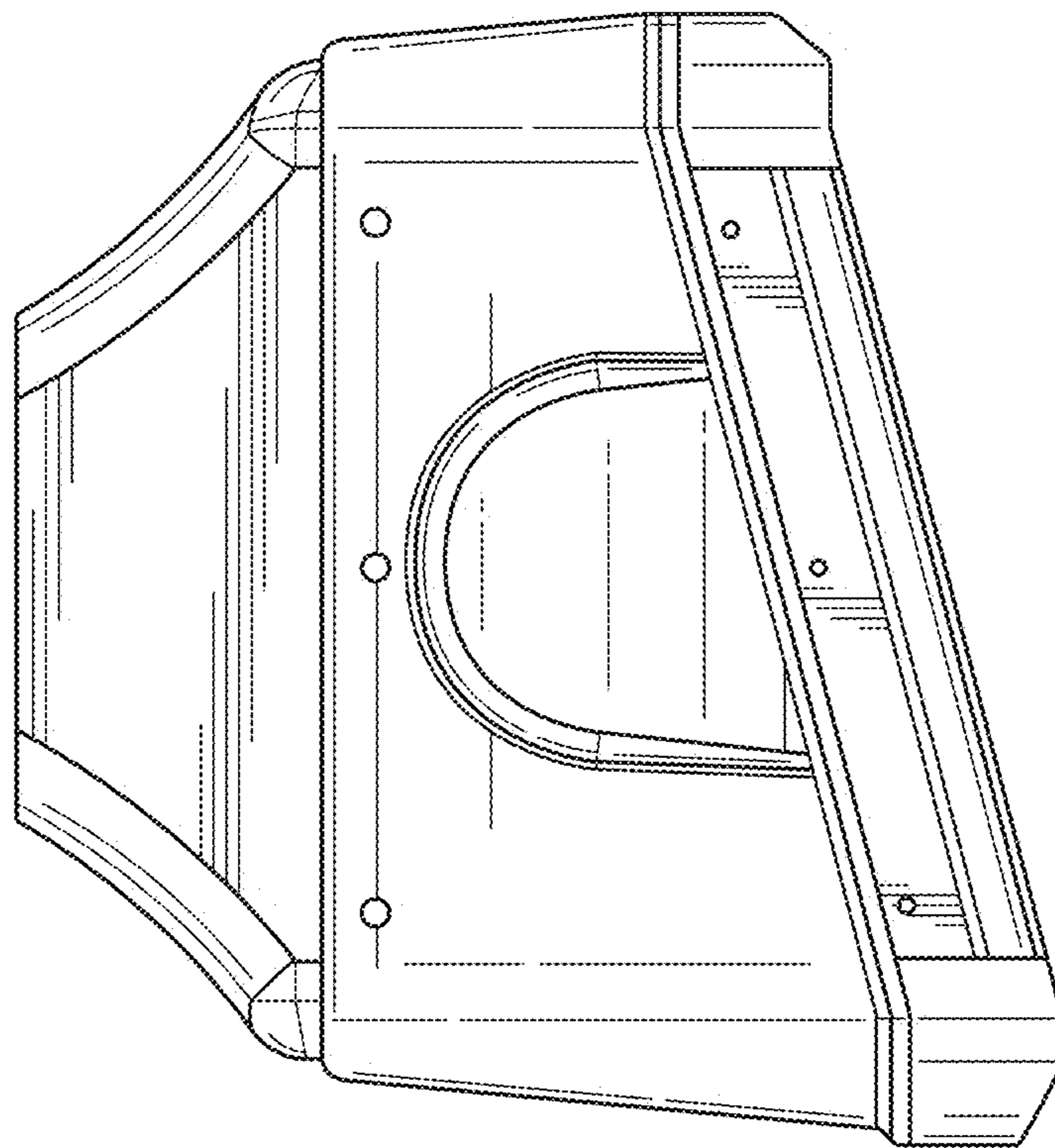


FIG. 3

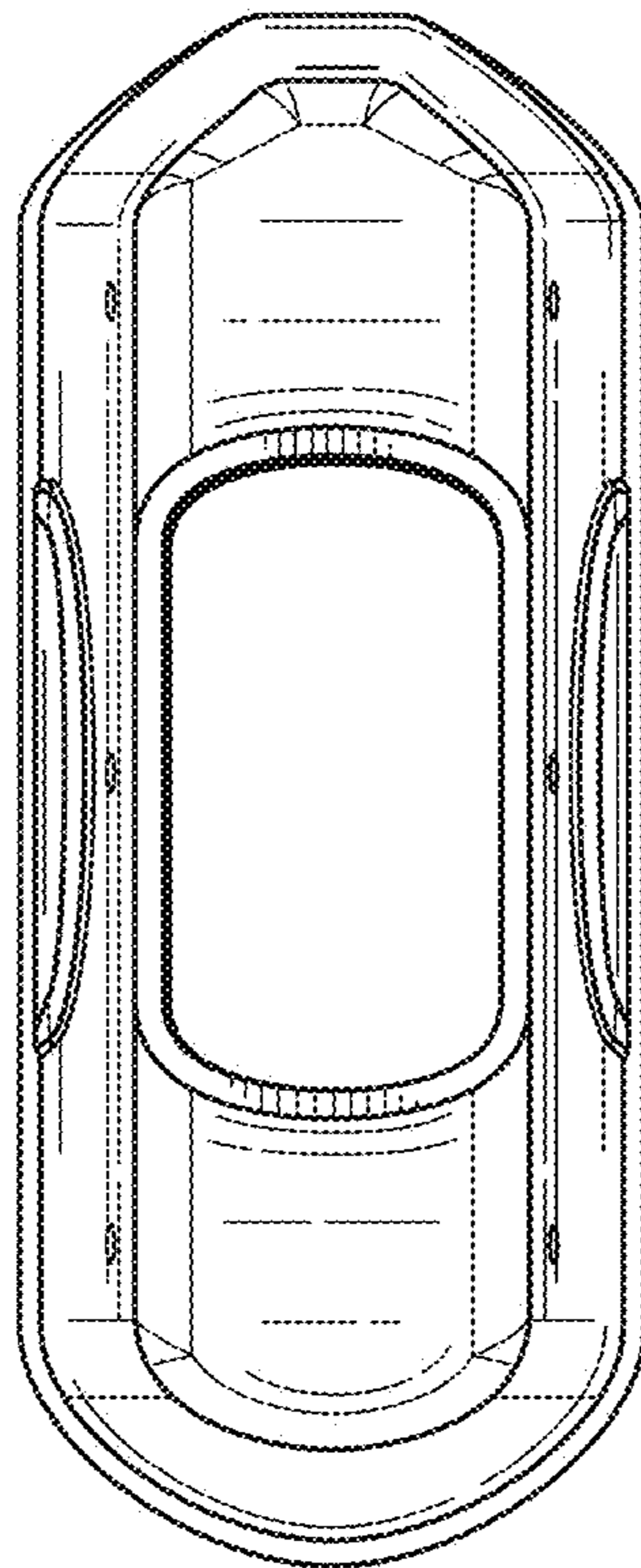


FIG. 4

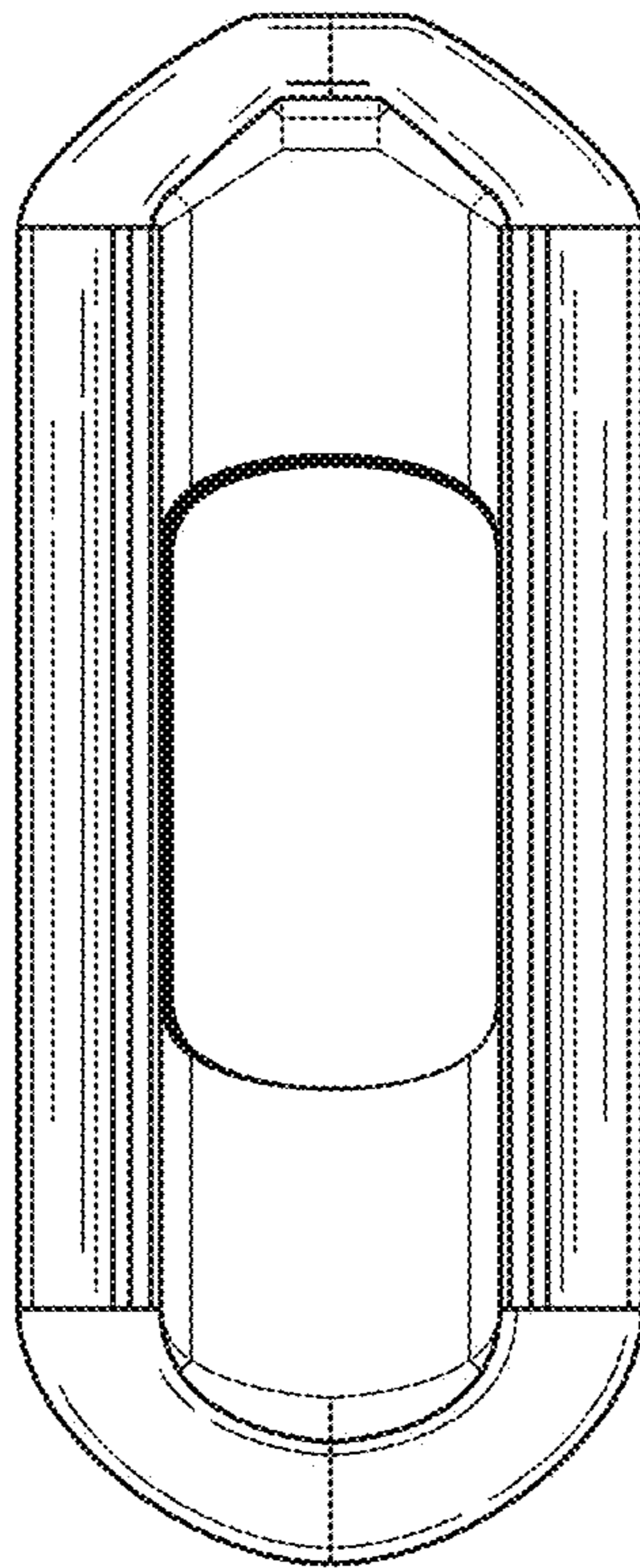


FIG. 5

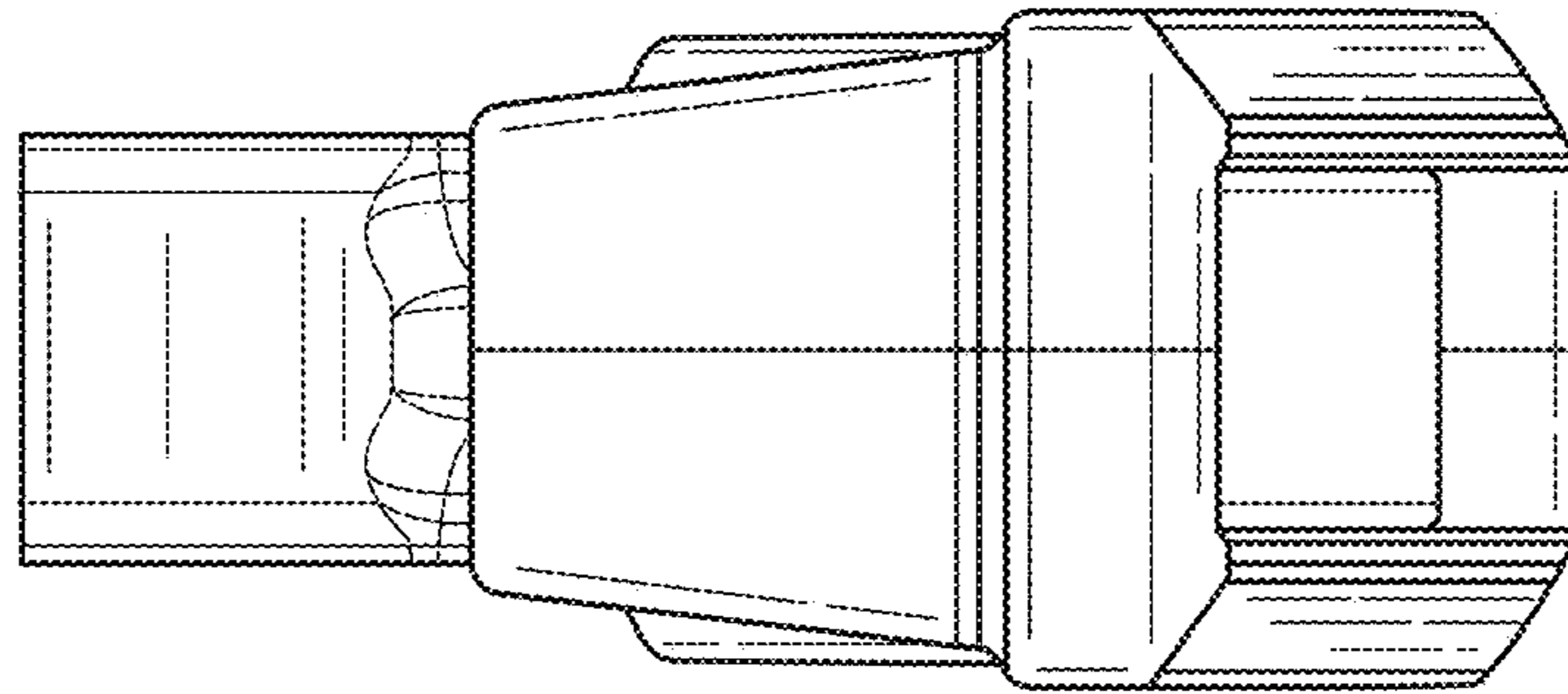


FIG. 6

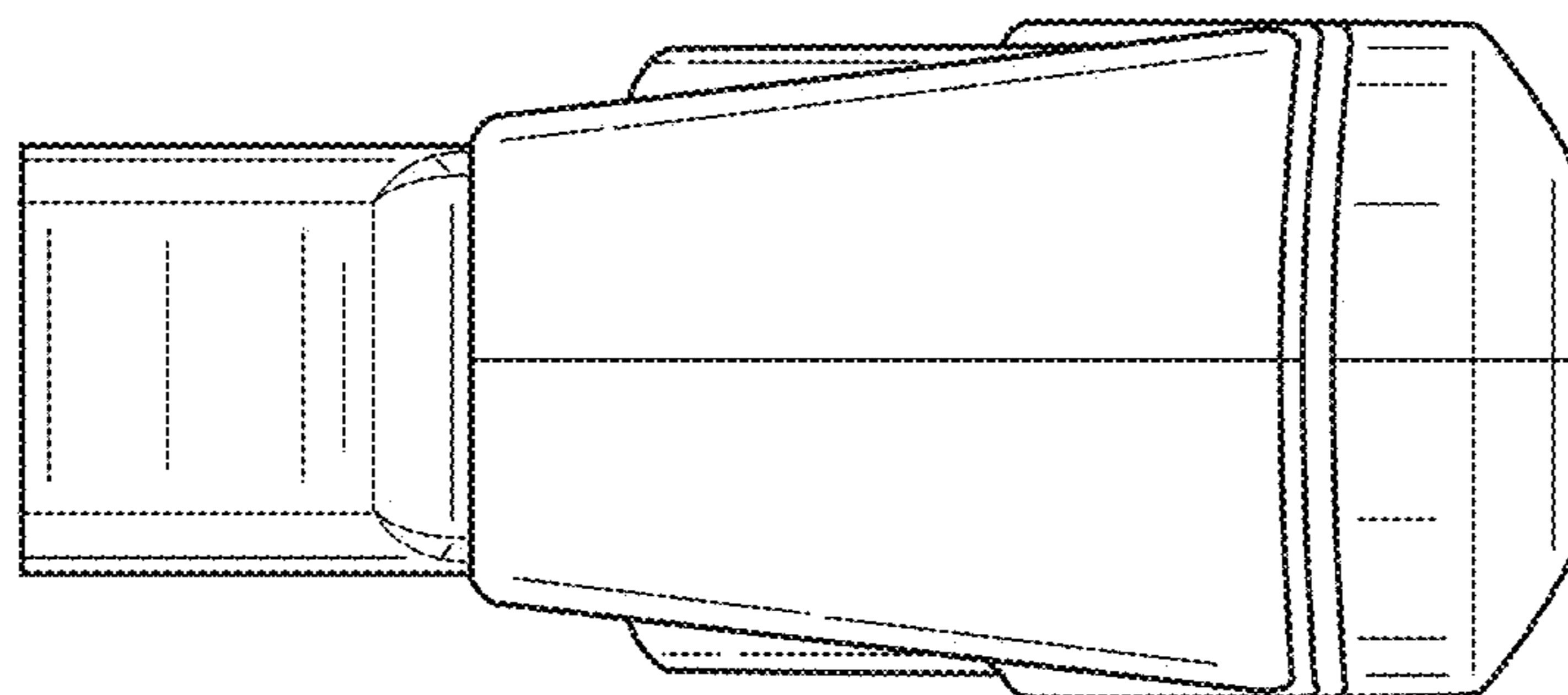


FIG. 7