



US00D735381S

(12) **United States Design Patent**  
**Lee**

(10) **Patent No.:** **US D735,381 S**  
(45) **Date of Patent:** **\*\* Jul. 28, 2015**

(54) **BICYCLE LAMP**

(71) Applicant: **Wen-Sung Lee**, Taichung (TW)

(72) Inventor: **Wen-Sung Lee**, Taichung (TW)

(\*\*) Term: **14 Years**

(21) Appl. No.: **29/485,126**

(22) Filed: **Mar. 17, 2014**

(51) **LOC (10) Cl.** ..... **26-06**

(52) **U.S. Cl.**  
USPC ..... **D26/28**; D26/60

(58) **Field of Classification Search**  
USPC ..... D26/28, 60-63; 362/473, 475, 476,  
362/396, 399

CPC ..... B62J 6/001; B62J 6/02; B62J 6/003;  
F21S 4/00; F21V 21/00

See application file for complete search history.

(56) **References Cited**

**U.S. PATENT DOCUMENTS**

2,805,326	A	*	9/1957	Schwartz	.....	362/103
3,112,889	A	*	12/1963	Marmo et al.	.....	362/103
D357,989	S	*	5/1995	Nagano	.....	D26/28
D541,965	S	*	5/2007	Shiu	.....	D26/60
D608,483	S	*	1/2010	Lee	.....	D26/60
D609,378	S	*	2/2010	Lee	.....	D26/60

D646,818	S	*	10/2011	Ueda et al.	.....	D26/60
D660,489	S	*	5/2012	Ueda et al.	.....	D26/60
D667,580	S	*	9/2012	Lee	.....	D26/60
D670,838	S	*	11/2012	Ueda et al.	.....	D26/28
D678,562	S	*	3/2013	Chan	.....	D26/28
D684,284	S	*	6/2013	Borovicka	.....	D26/60
8,974,098	B2	*	3/2015	McCaslin et al.	.....	362/473

**OTHER PUBLICATIONS**

Cat Eye Sumo2 Headlight; found at competitivecyclist.com, visited Feb. 26, 2013.\*

\* cited by examiner

*Primary Examiner* — Clare E Heflin

(57) **CLAIM**

The ornamental design for a bicycle lamp, as shown and described.

**DESCRIPTION**

FIG. 1 is a perspective view of a bicycle lamp showing my new design;

FIG. 2 is a front elevational view thereof;

FIG. 3 is a rear elevational view thereof;

FIG. 4 is a left side view thereof;

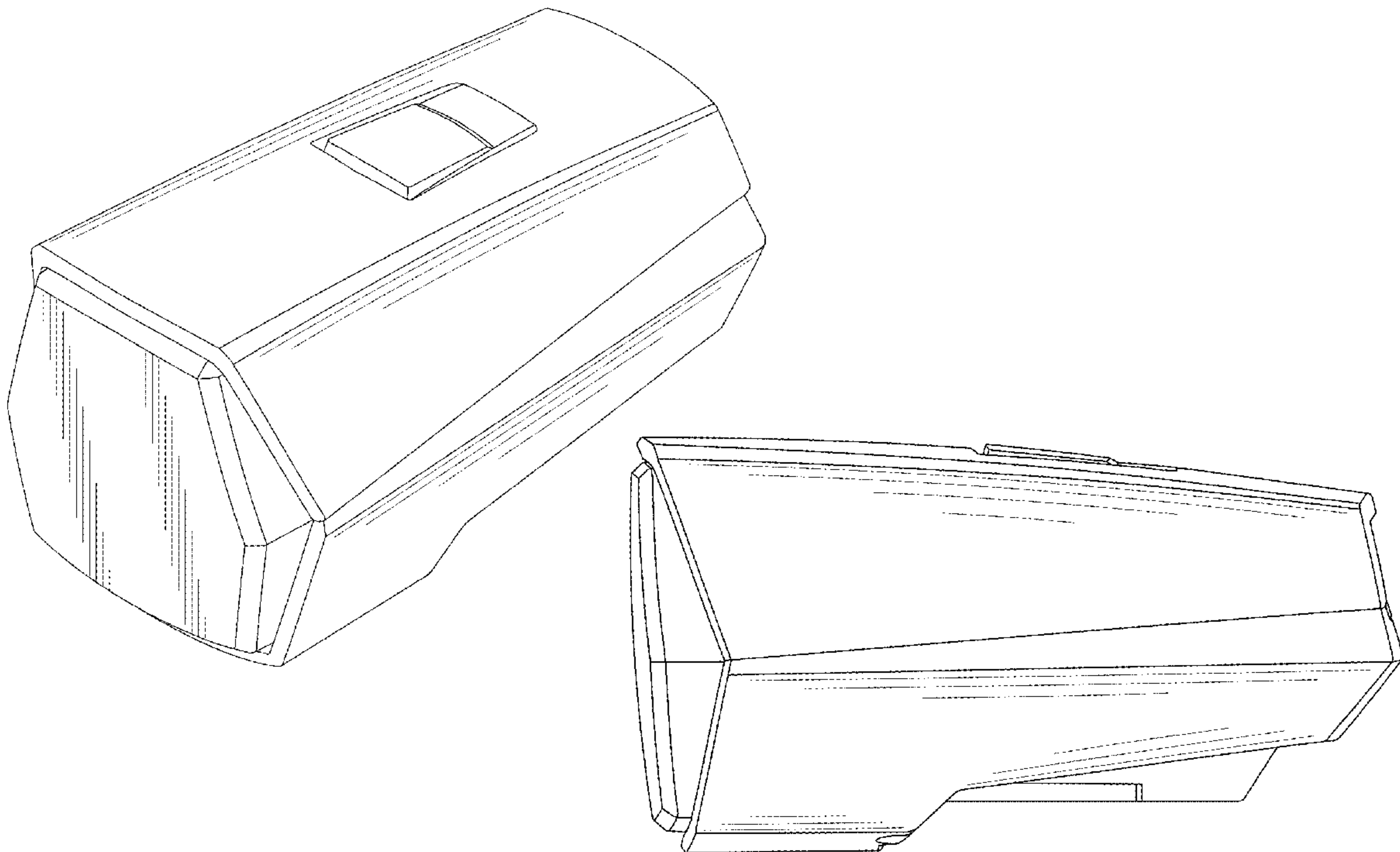
FIG. 5 is a right side view thereof;

FIG. 6 is a top plan view thereof;

FIG. 7 is a bottom plan view thereof; and,

FIG. 8 is another perspective view thereof.

**1 Claim, 6 Drawing Sheets**



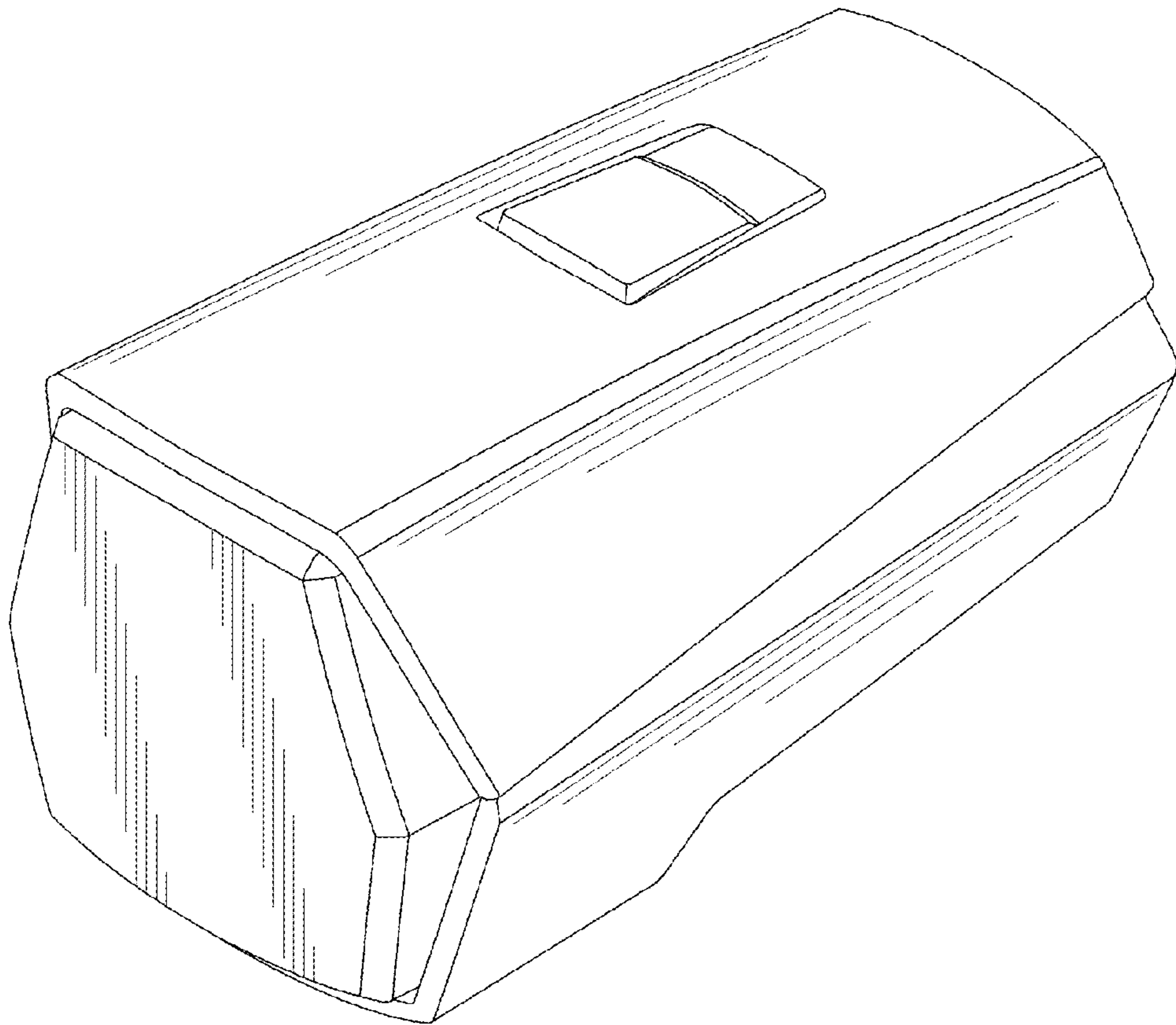


FIG.1

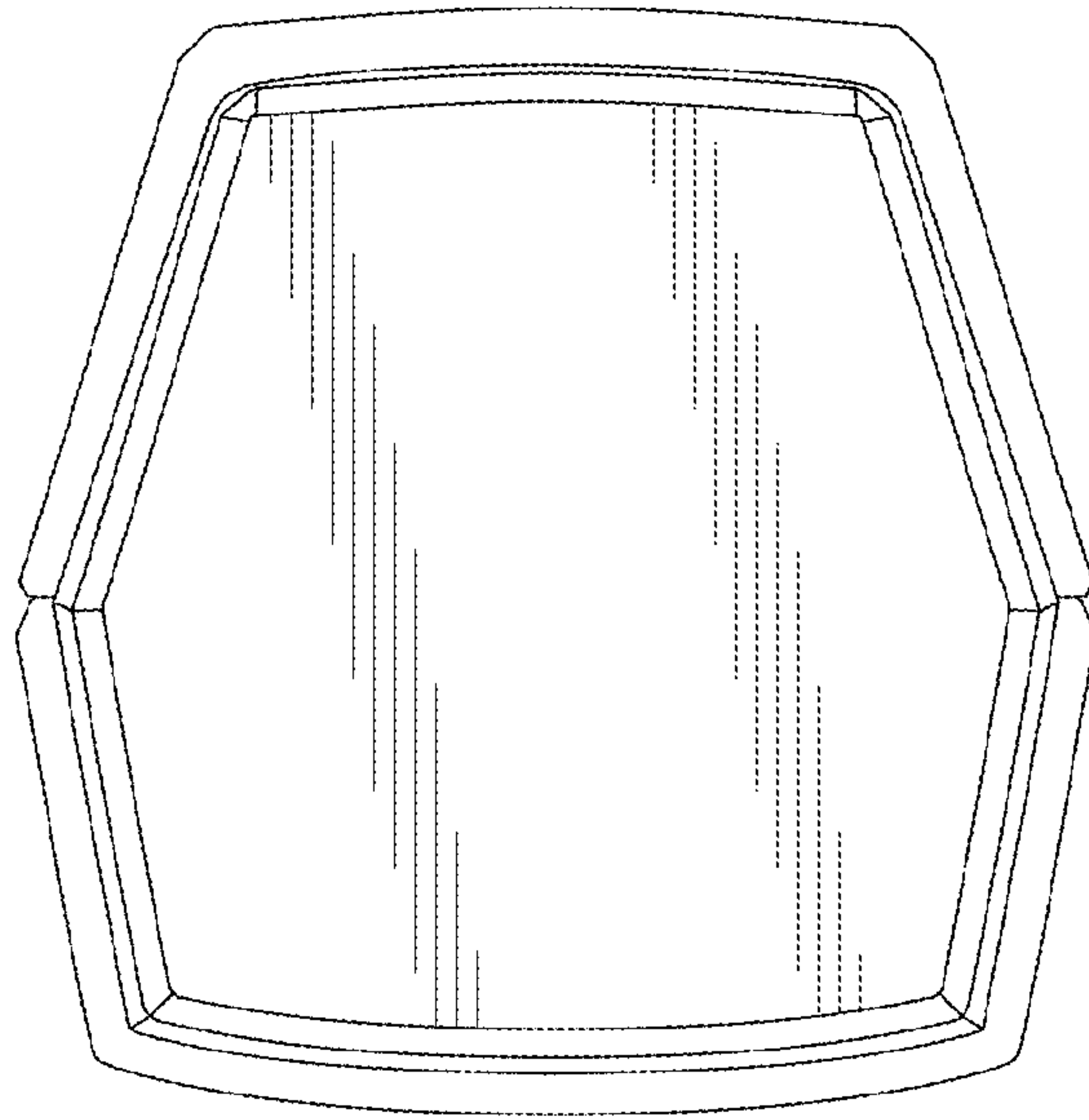


FIG. 2

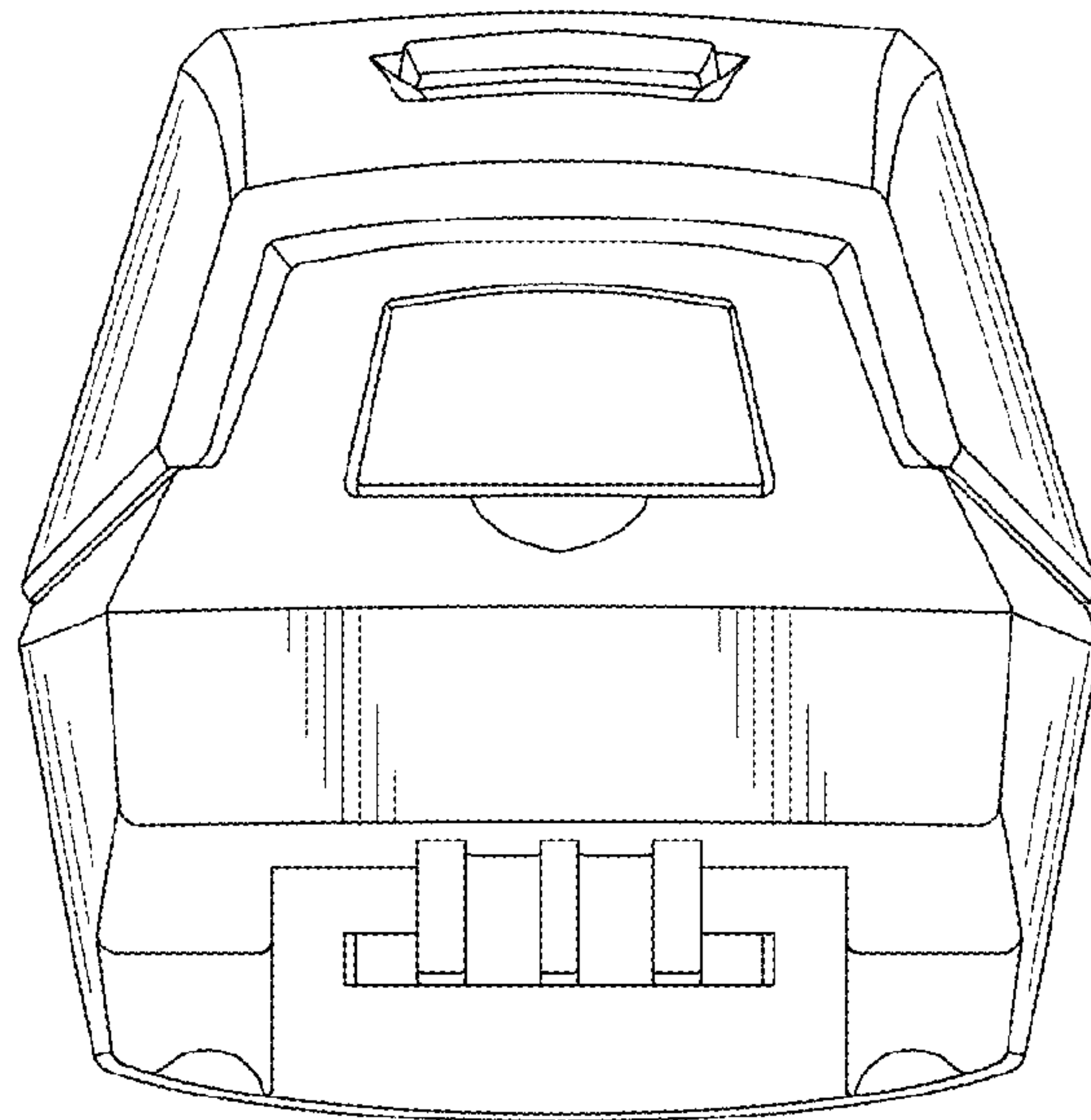


FIG. 3

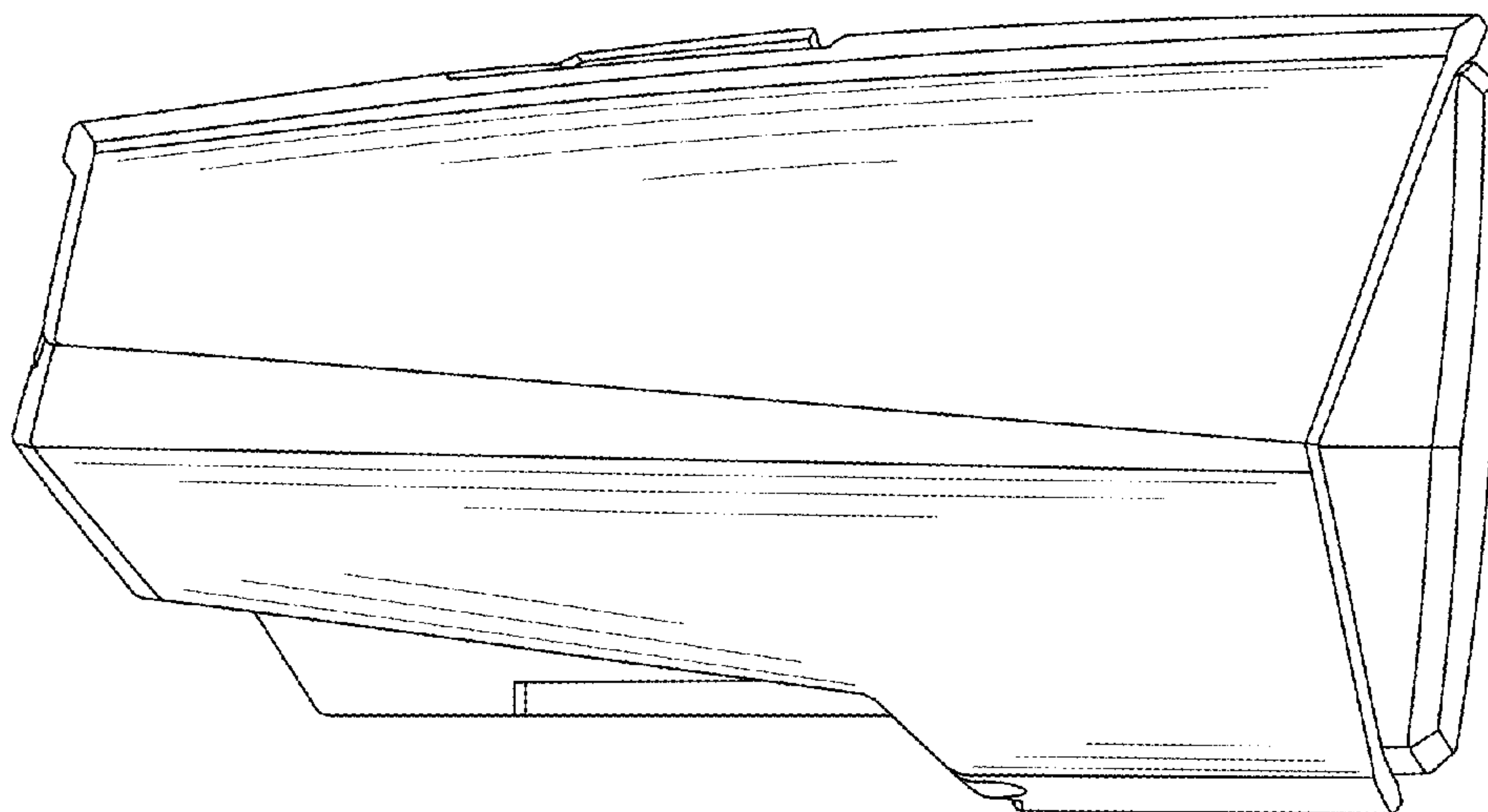


FIG. 4

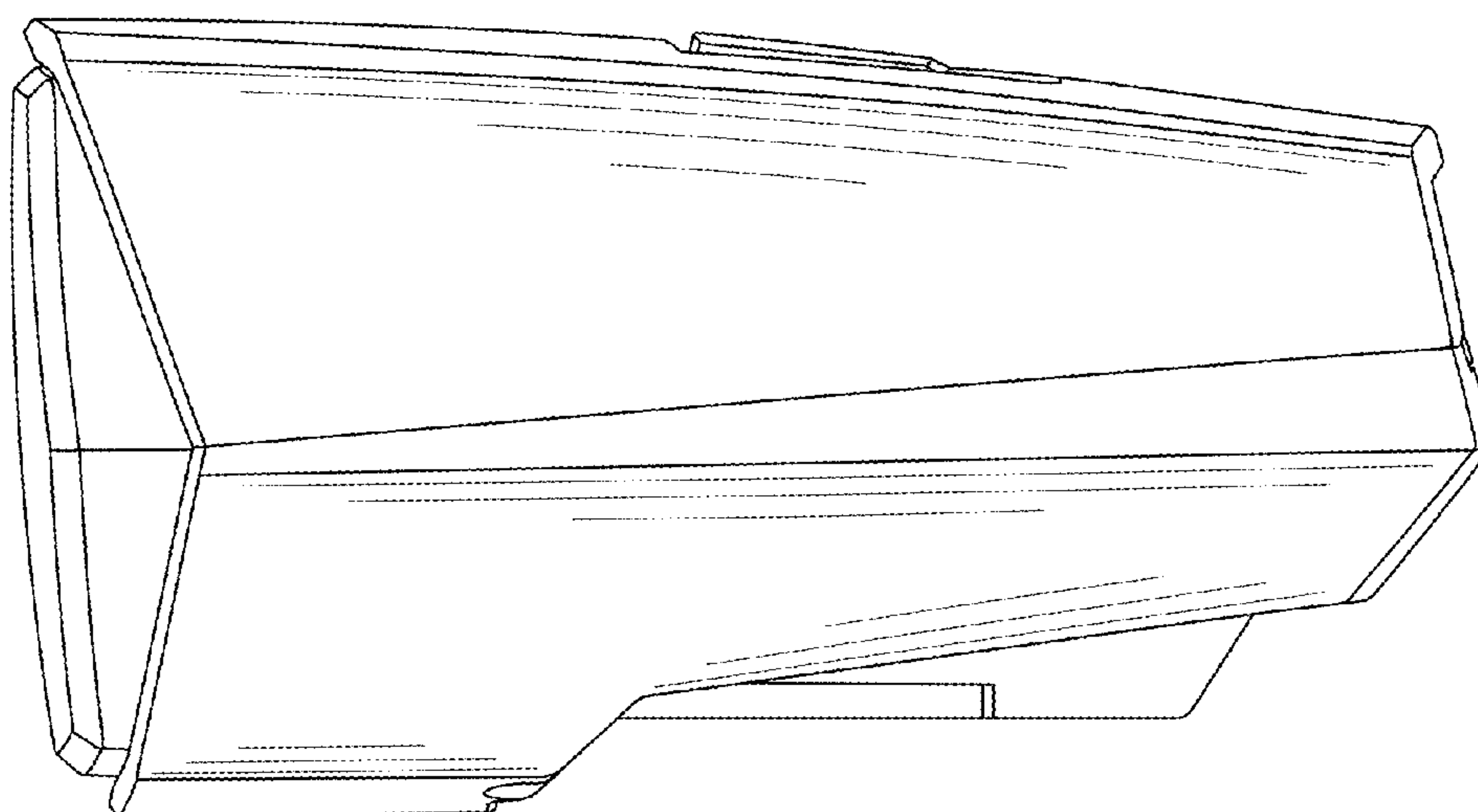


FIG. 5

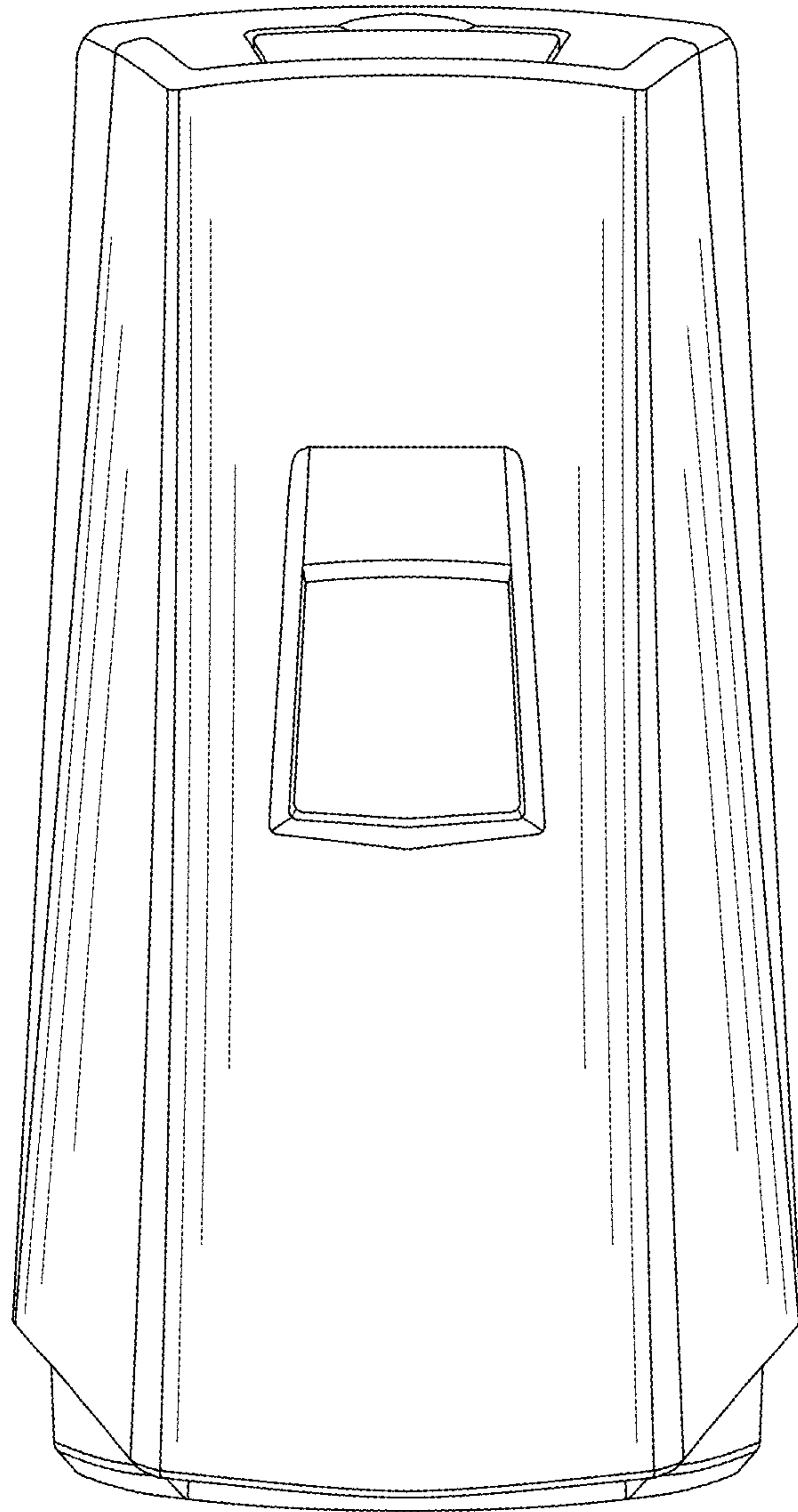


FIG.6



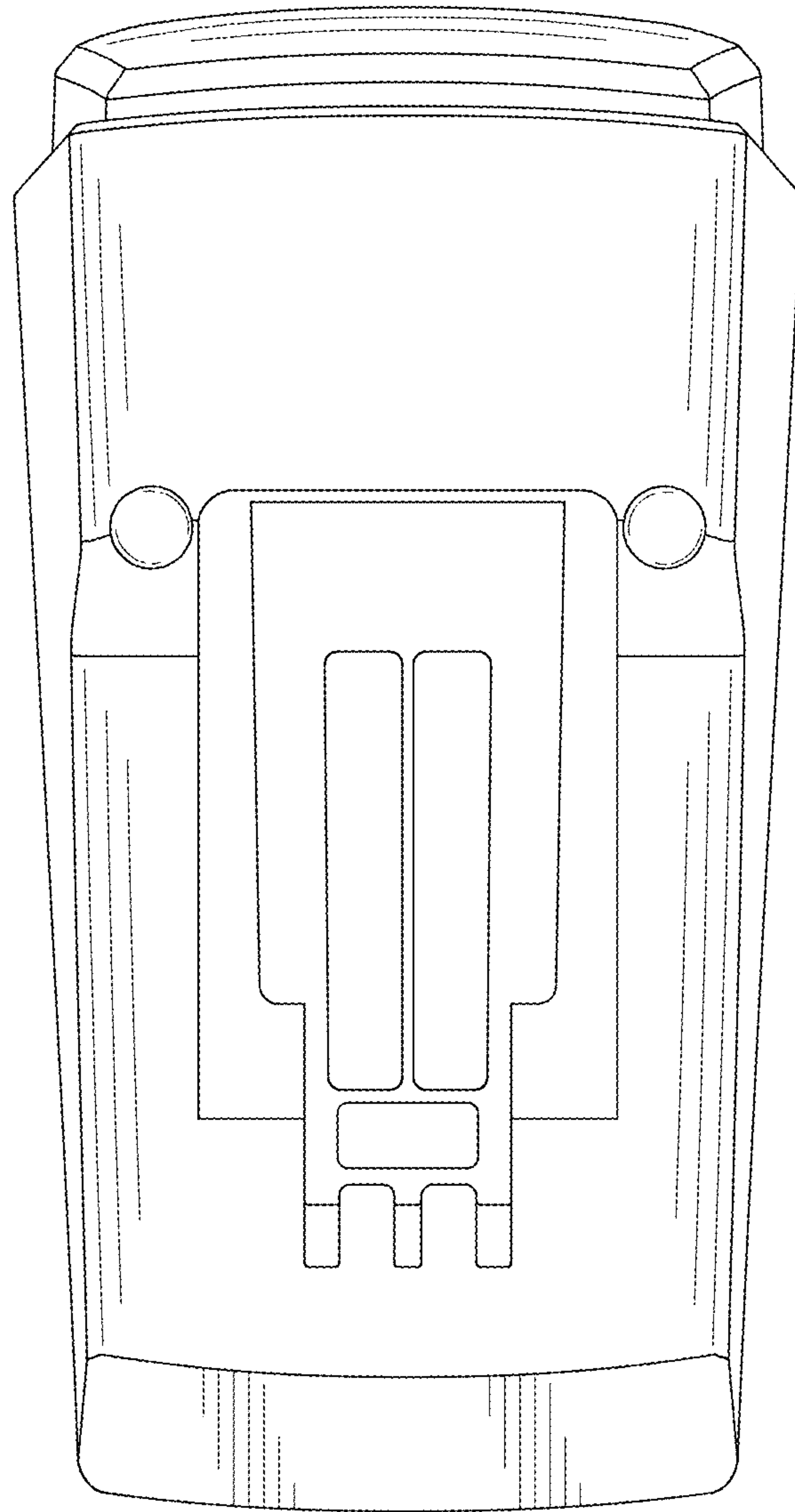


FIG.7

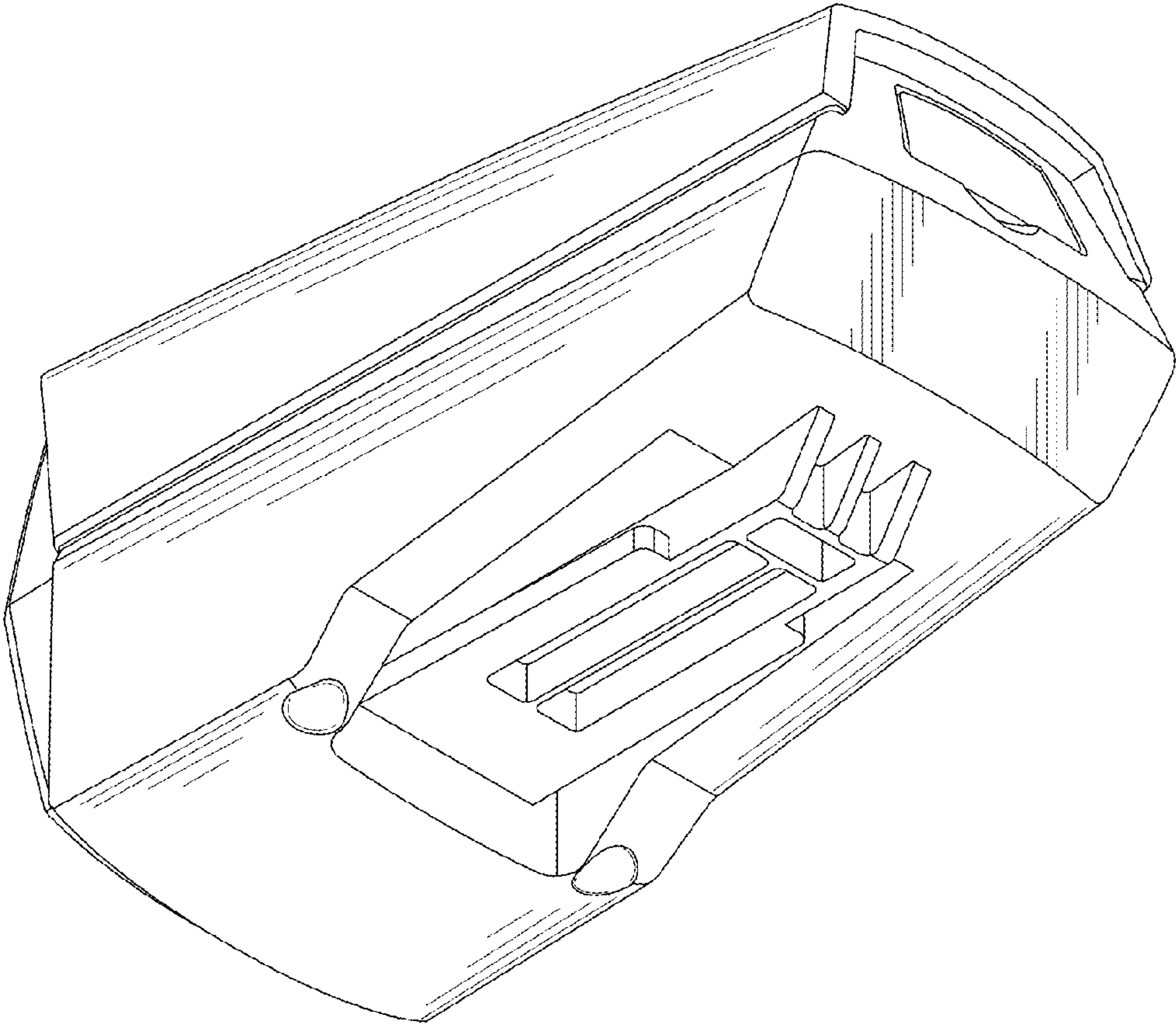


FIG.8