



US00D735379S

(12) **United States Design Patent**
Liao et al.

(10) **Patent No.:** **US D735,379 S**
(45) **Date of Patent:** **** Jul. 28, 2015**

(54) **USB CHARGED SAFETY LIGHT**

(71) Applicants: **Su-Chang Liao**, Taichung (TW);
Di-Shun Liao, Taichung (TW)

(72) Inventors: **Su-Chang Liao**, Taichung (TW);
Di-Shun Liao, Taichung (TW)

(73) Assignee: **S-SUN ENTERPRISE CO., LTD.**,
Taichung (TW)

(**) Term: **14 Years**

(21) Appl. No.: **29/461,142**

(22) Filed: **Jul. 18, 2013**

(51) **LOC (10) Cl.** **26-06**

(52) **U.S. Cl.**
USPC **D26/28**

(58) **Field of Classification Search**
USPC D26/28-36, 72, 76; D10/114.1-114.4;
340/471-473, 468, 479; 362/235-236,
362/243, 263, 362, 459, 485-487, 493, 496,
362/538, 540, 542
CPC B60Q 1/2661; B60Q 1/0433; B60Q 1/26;
B60Q 1/2611; B60Q 1/52

See application file for complete search history.

(56) **References Cited**

U.S. PATENT DOCUMENTS

3,242,329	A	*	3/1966	Abrams	362/235
D334,821	S	*	4/1993	Morgan	D26/28
D335,191	S	*	4/1993	Morgan	D26/28
D377,537	S	*	1/1997	Paugh	D26/28
D385,982	S	*	11/1997	Moore	D26/28
D511,391	S	*	11/2005	Altman	D26/31

* cited by examiner

Primary Examiner — Wan Laymon

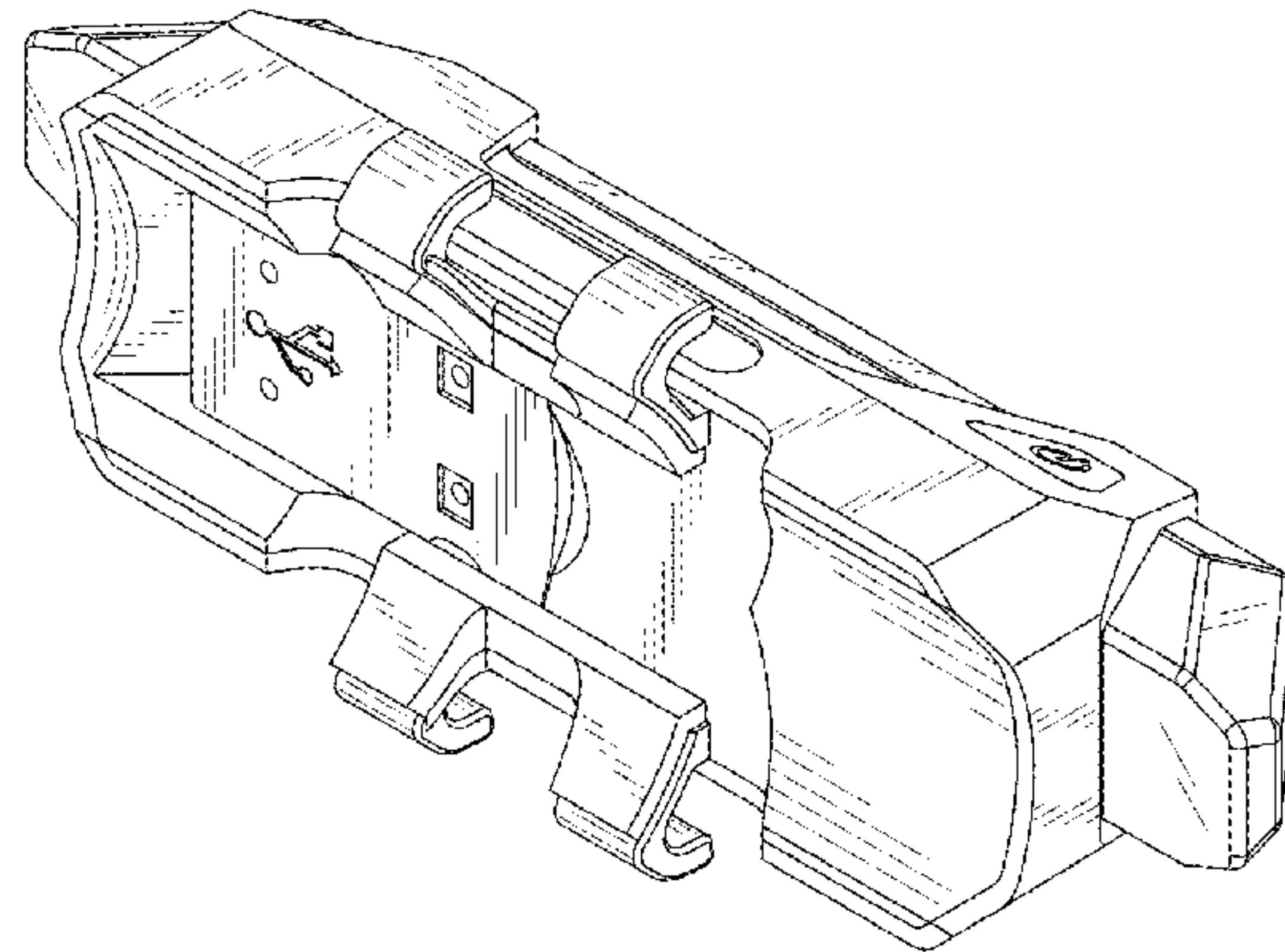
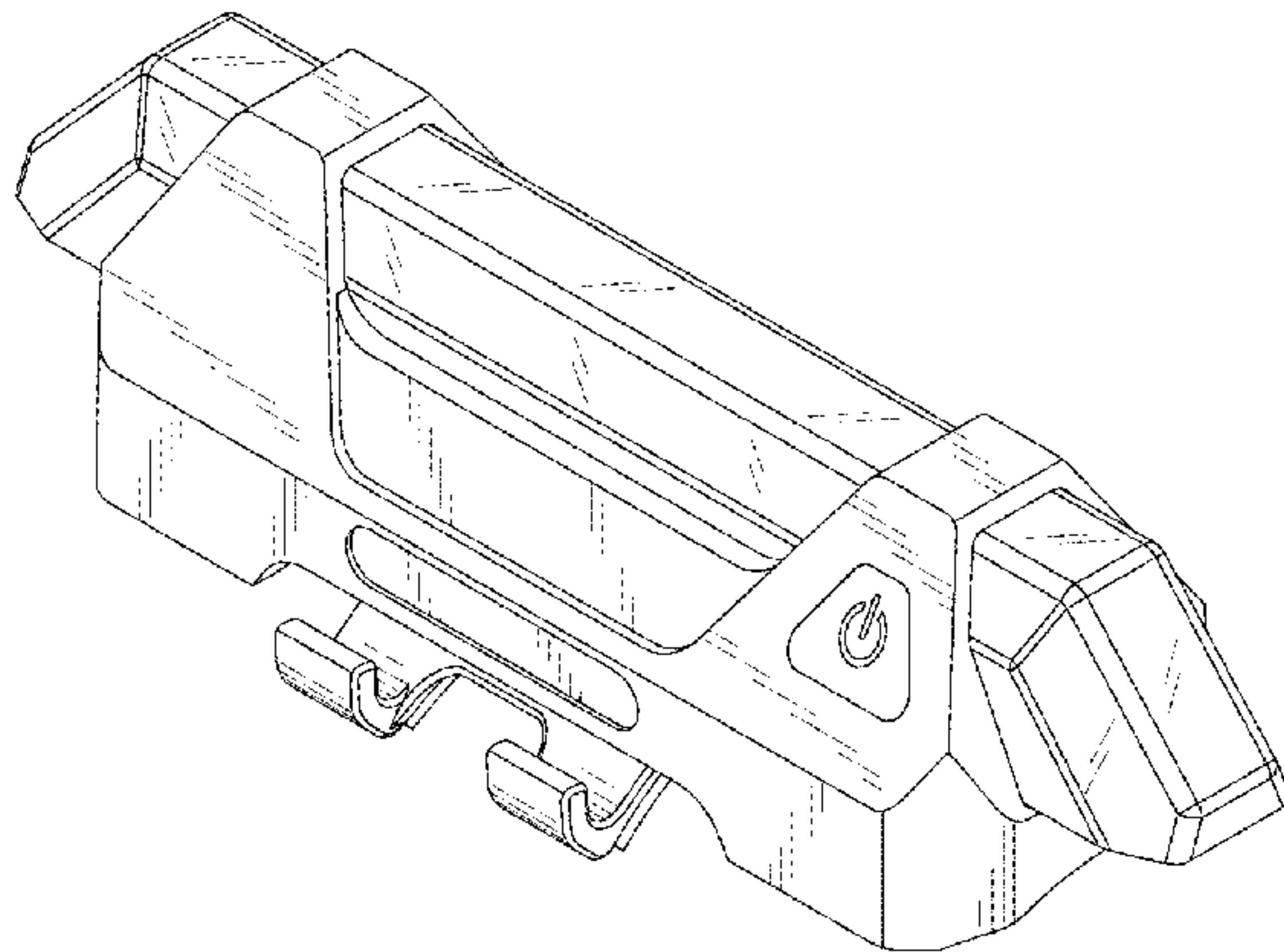
(57) **CLAIM**

The ornamental design for a USB charged safety light, as shown and described.

DESCRIPTION

FIG. 1 is a perspective view of a USB charged safety light illustrating our new design;
FIG. 2 is a front elevational view thereof;
FIG. 3 is a rear elevational view thereof;
FIG. 4 is a left side view thereof;
FIG. 5 is a right side view thereof;
FIG. 6 is a top plan view thereof;
FIG. 7 is a bottom plan view thereof; and,
FIG. 8 is another perspective view thereof.

1 Claim, 5 Drawing Sheets



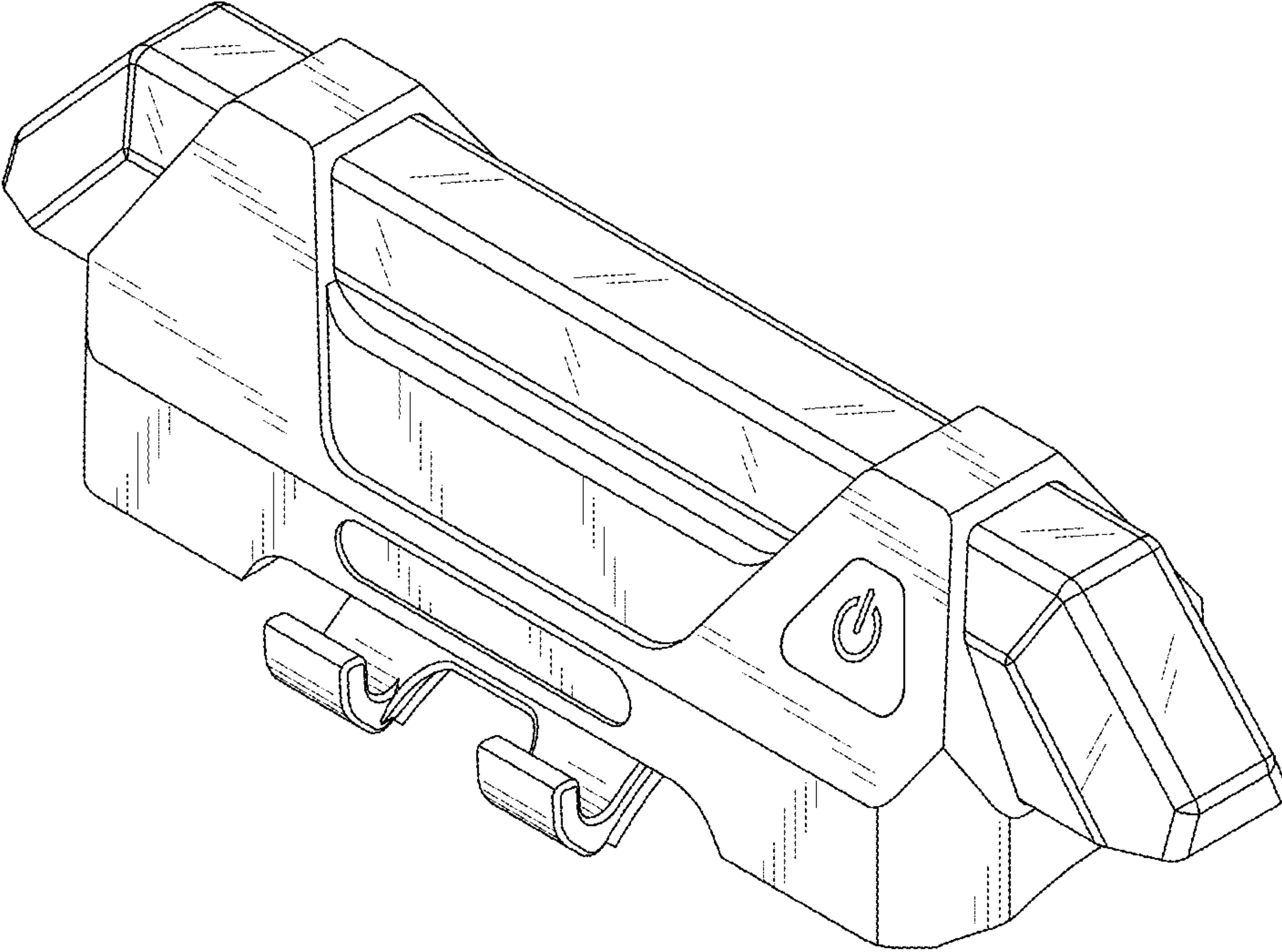


FIG.1

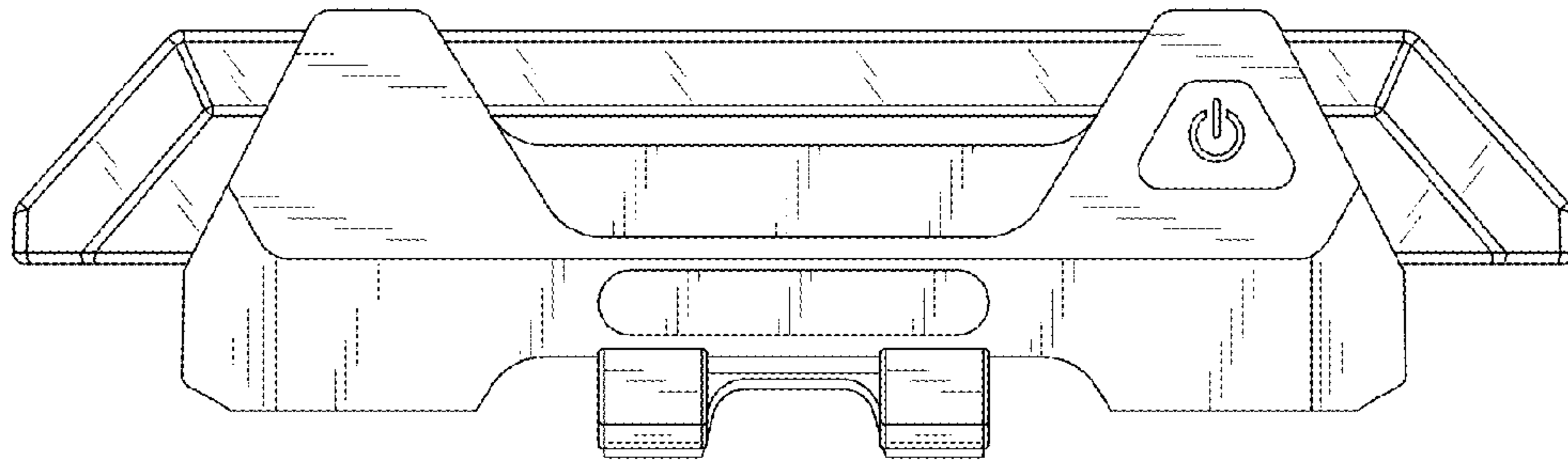


FIG. 2

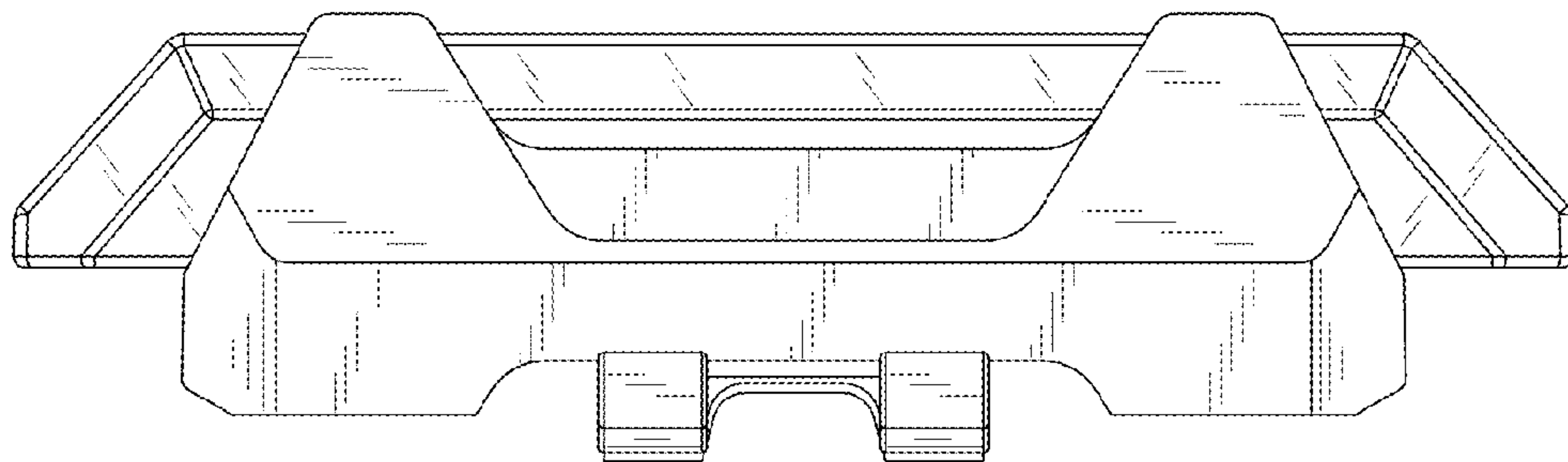


FIG. 3

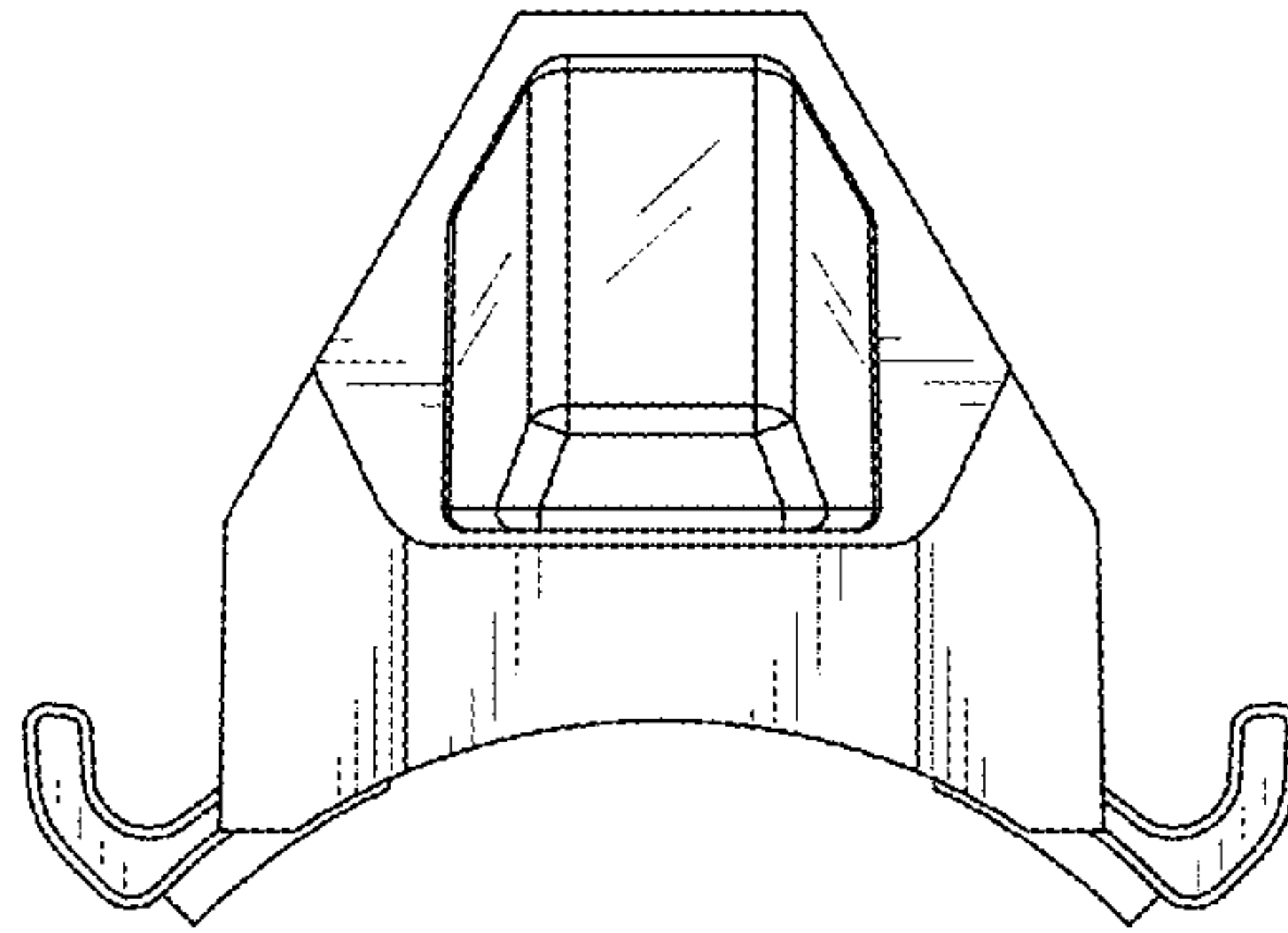


FIG.4

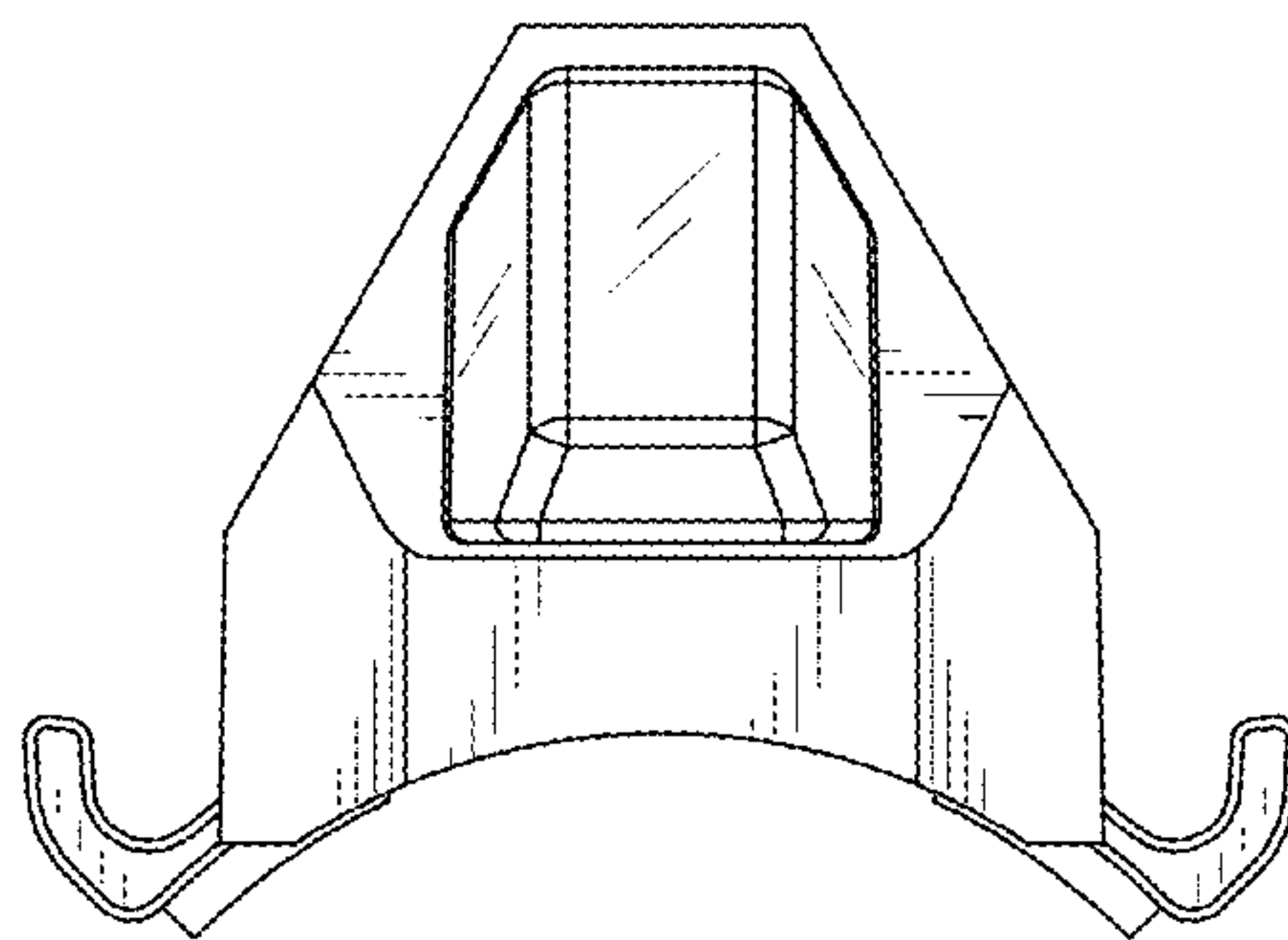


FIG.5

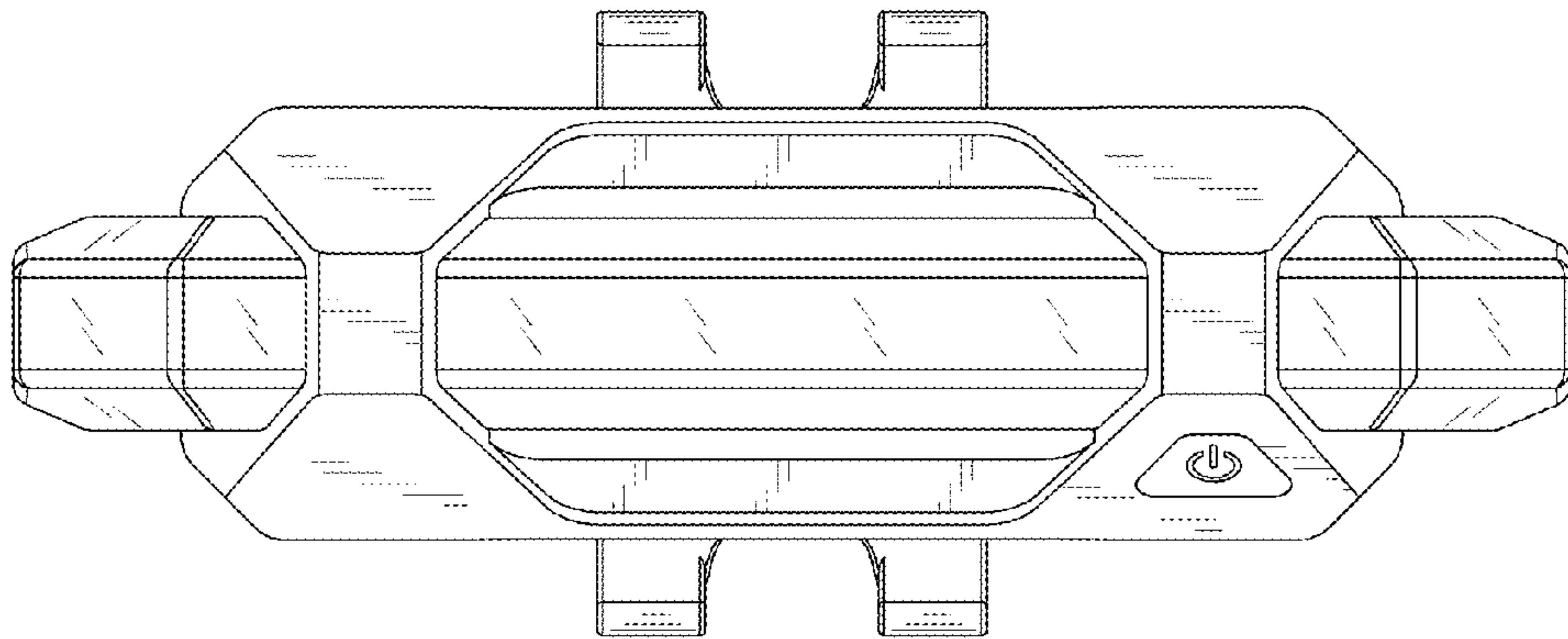


FIG.6

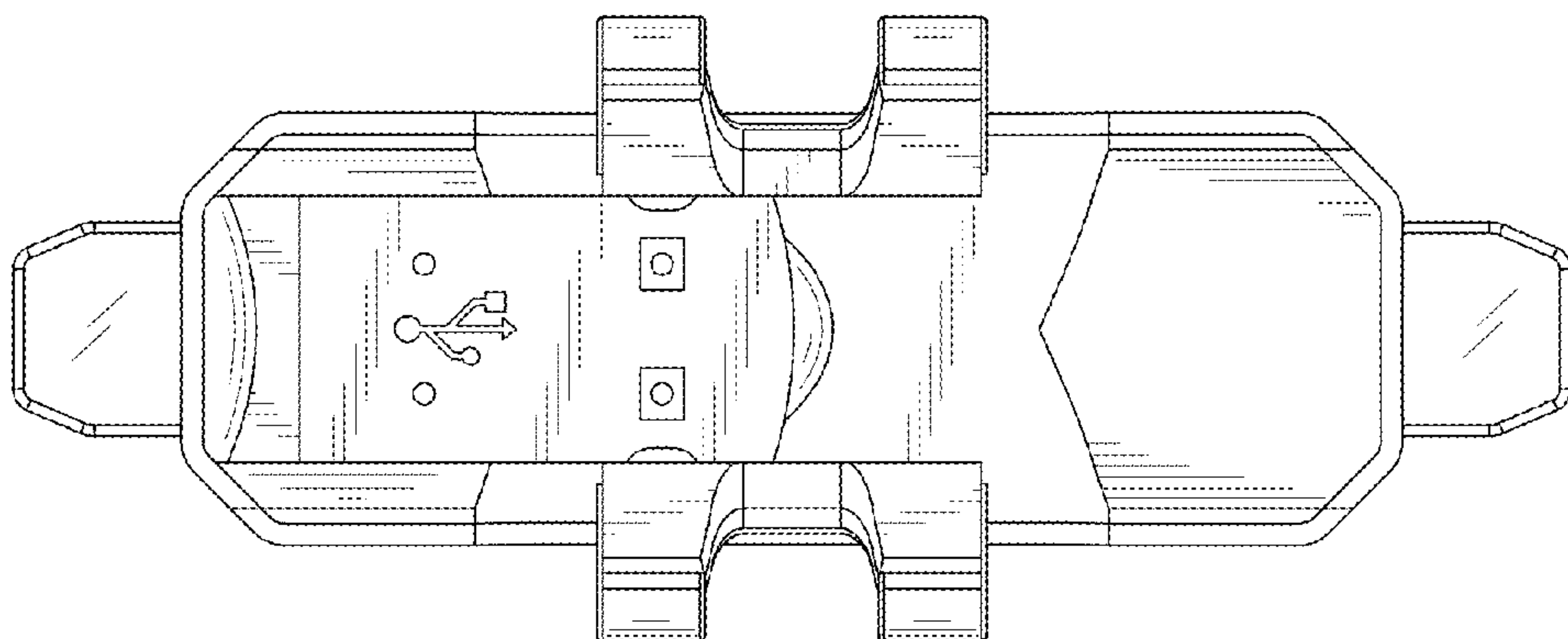


FIG.7

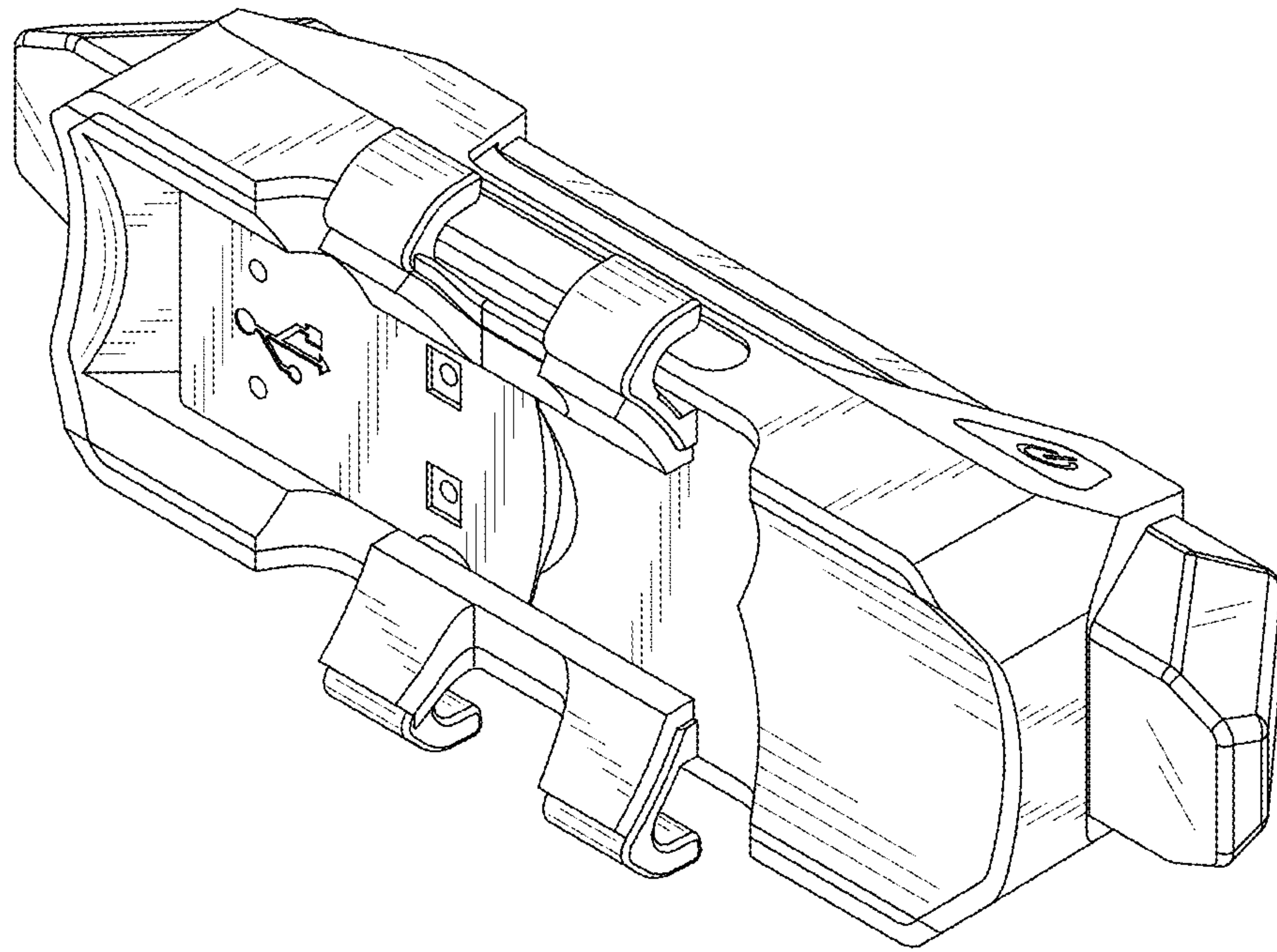


FIG.8