



US00D735377S

(12) **United States Design Patent**
Yu

(10) **Patent No.:** **US D735,377 S**
(45) **Date of Patent:** **** Jul. 28, 2015**

(54) **LED LAMP**

(56) **References Cited**

(71) Applicant: **Ningbo Paccar Electronic Co., Ltd.,**
Cixi (CN)

(72) Inventor: **Miaorui Yu, Cixi (CN)**

(73) Assignee: **Ningbo Paccar Electronics Co., Ltd.,**
Cixi (CN)

(**) Term: **14 Years**

(21) Appl. No.: **29/492,382**

(22) Filed: **May 30, 2014**

(30) **Foreign Application Priority Data**

Dec. 6, 2013 (CN) 2013 3 0605898

(51) **LOC (10) Cl.** **26-04**

(52) **U.S. Cl.**
USPC **D26/2**

(58) **Field of Classification Search**
USPC D26/1-4; 313/313, 315, 316, 317, 318,
313/493; 315/52, 53, 56, 57, 58

See application file for complete search history.

U.S. PATENT DOCUMENTS

| | | | |
|--------------|---------|-----------------------|-------|
| D534,665 S * | 1/2007 | Egawa et al. | D26/2 |
| D542,426 S * | 5/2007 | Itaya et al. | D26/2 |
| D549,361 S * | 8/2007 | To et al. | D26/2 |
| D581,556 S * | 11/2008 | To et al. | D26/2 |
| D600,367 S * | 9/2009 | Bertram et al. | D26/2 |
| D602,614 S * | 10/2009 | Takahashi et al. | D26/2 |
| D617,918 S * | 6/2010 | Yamamoto et al. | D26/2 |
| D635,281 S * | 3/2011 | Murakami et al. | D26/2 |
| D660,469 S * | 5/2012 | Mase et al. | D26/2 |

* cited by examiner

Primary Examiner — Marcus Jackson

(74) *Attorney, Agent, or Firm* — Gemini Patent Services, Inc.; Stephen Hsu; Li K. Wang

(57) **CLAIM**

The ornamental design for an LED lamp, as shown and described.

DESCRIPTION

FIG. 1 is a front view of the LED lamp;
FIG. 2 is a right side view thereof;
FIG. 3 is a left side view thereof;
FIG. 4 is a back side view thereof;
FIG. 5 is a bottom plan view thereof;
FIG. 6 is a top plan view thereof; and,
FIG. 7 is a perspective view thereof.

1 Claim, 4 Drawing Sheets



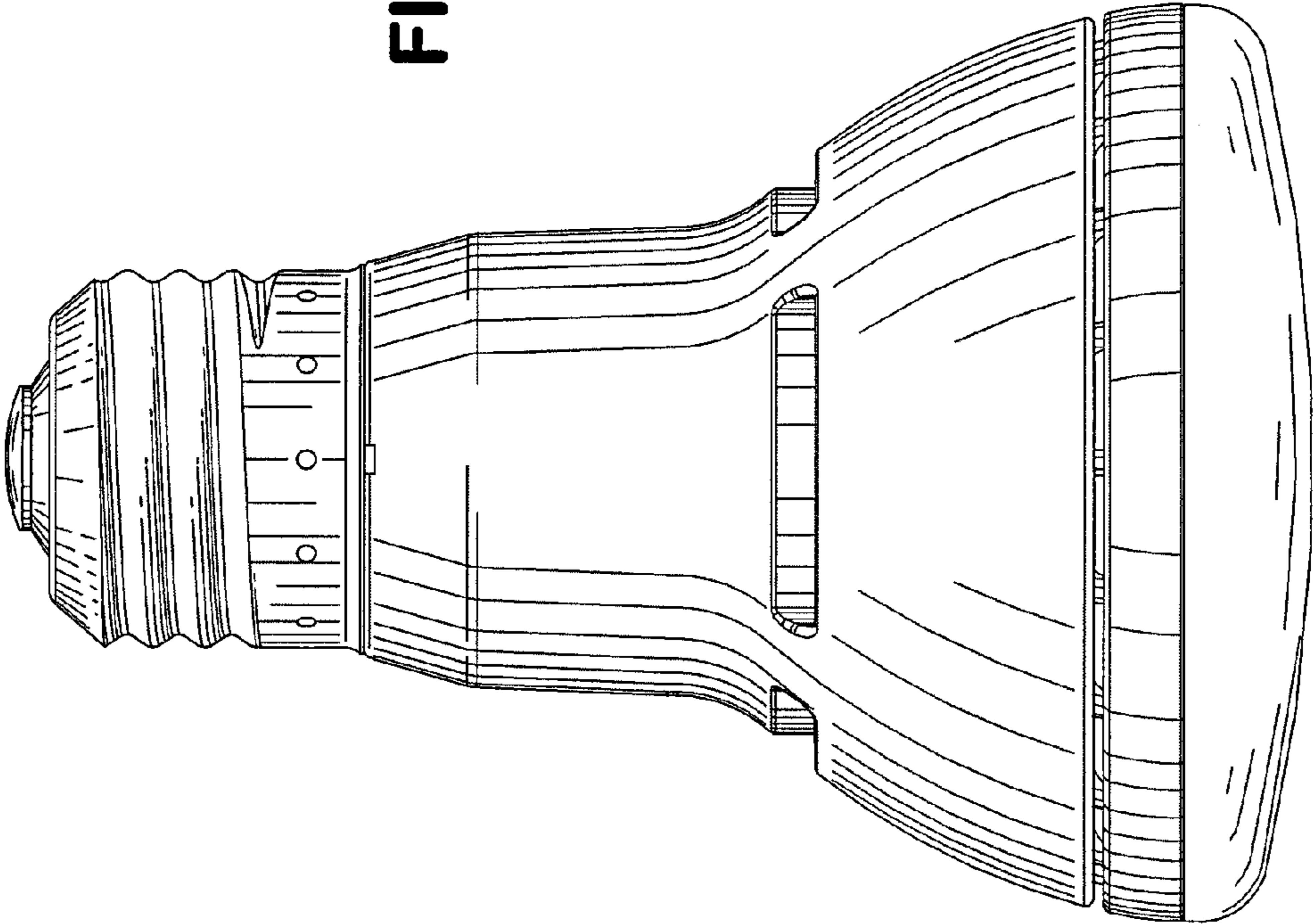


FIG. 2

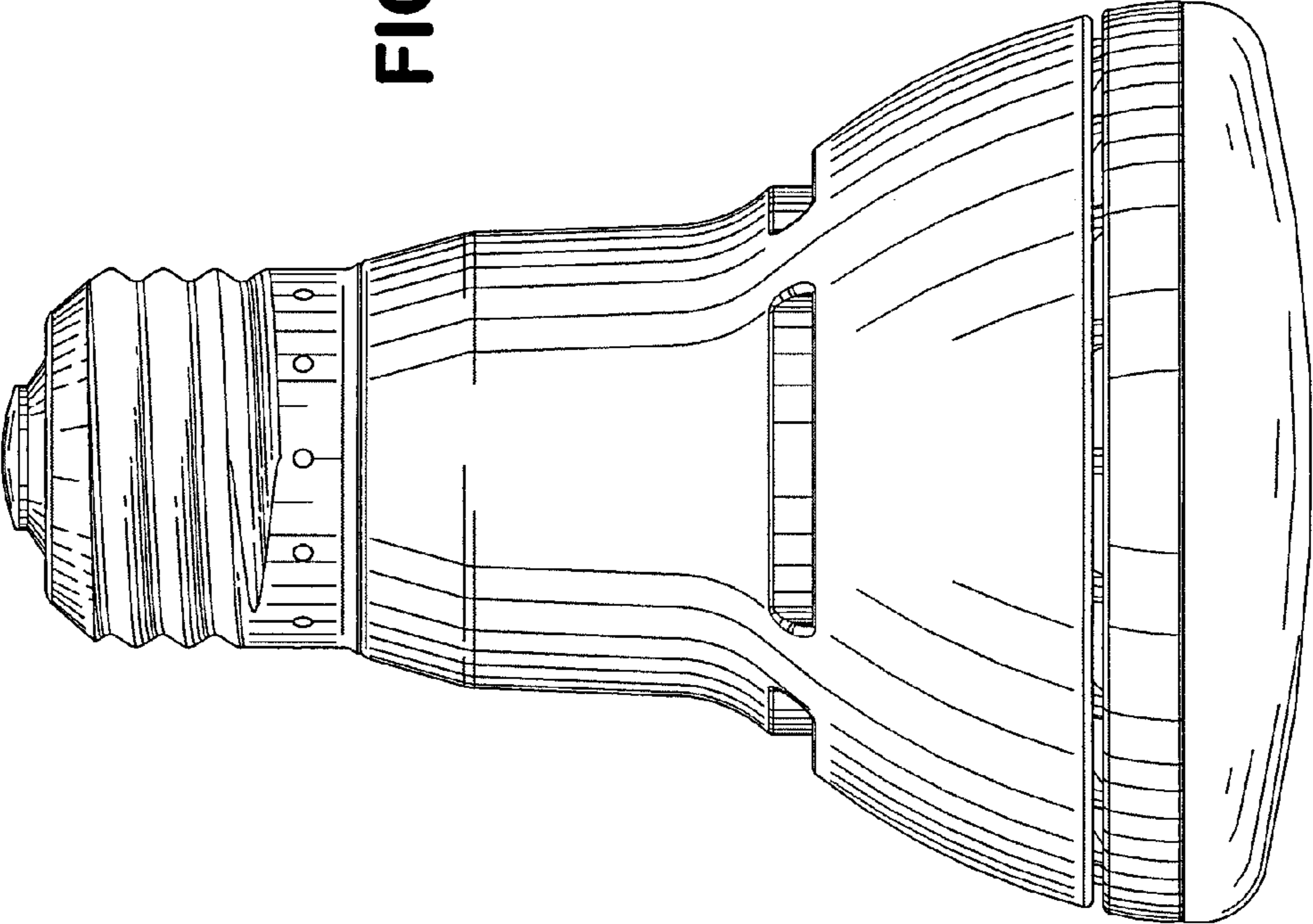


FIG. 1

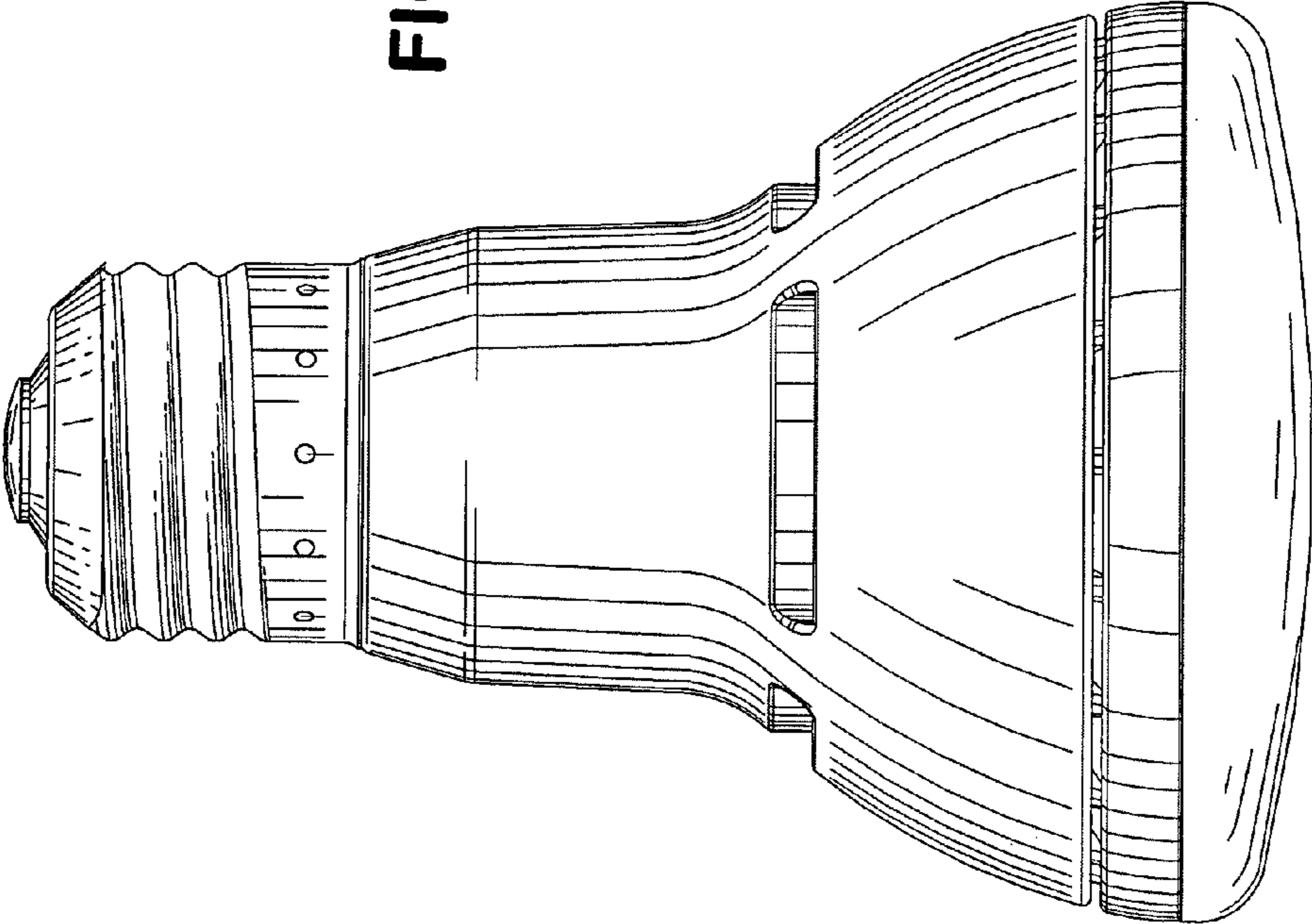


FIG. 4

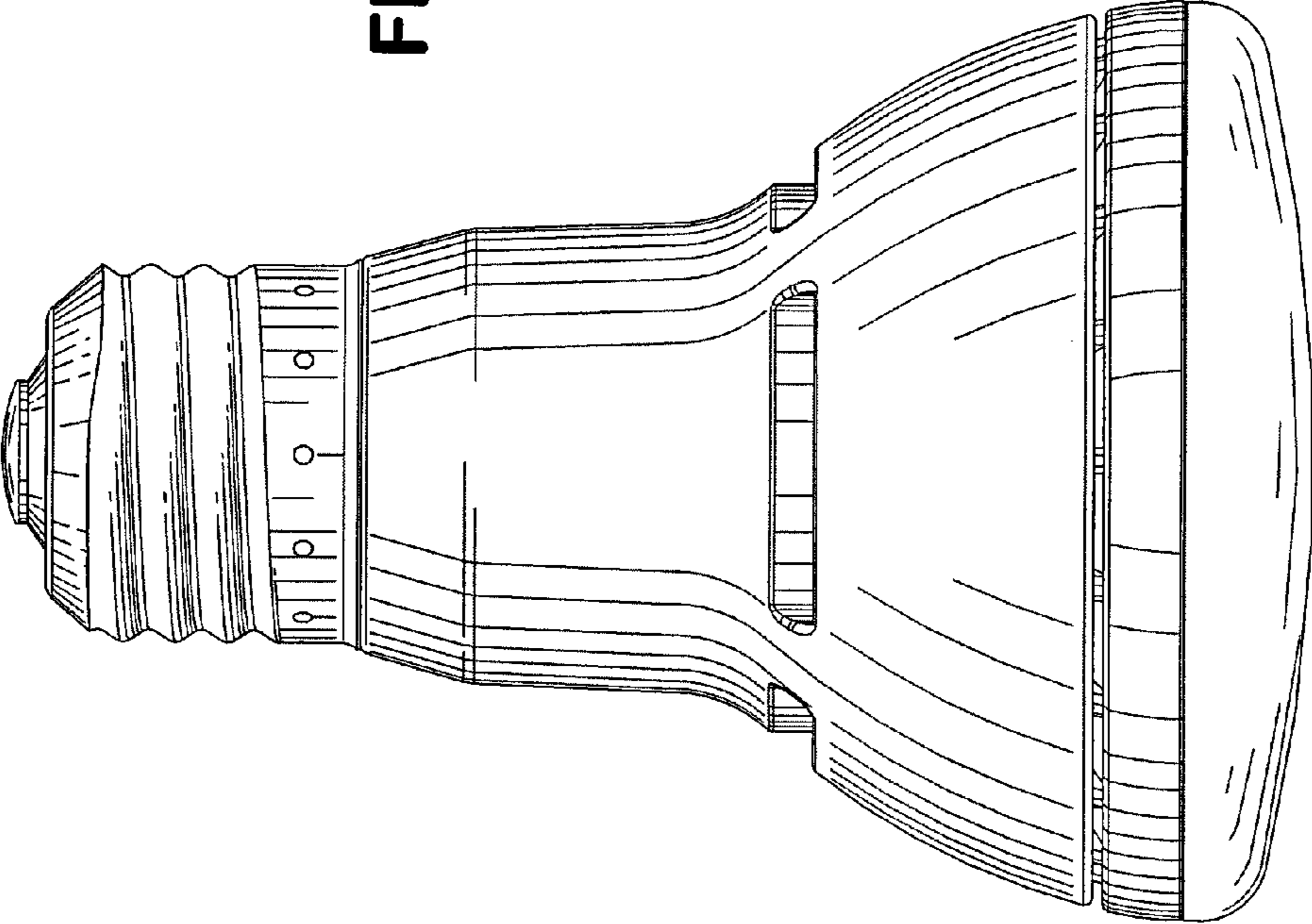


FIG. 3

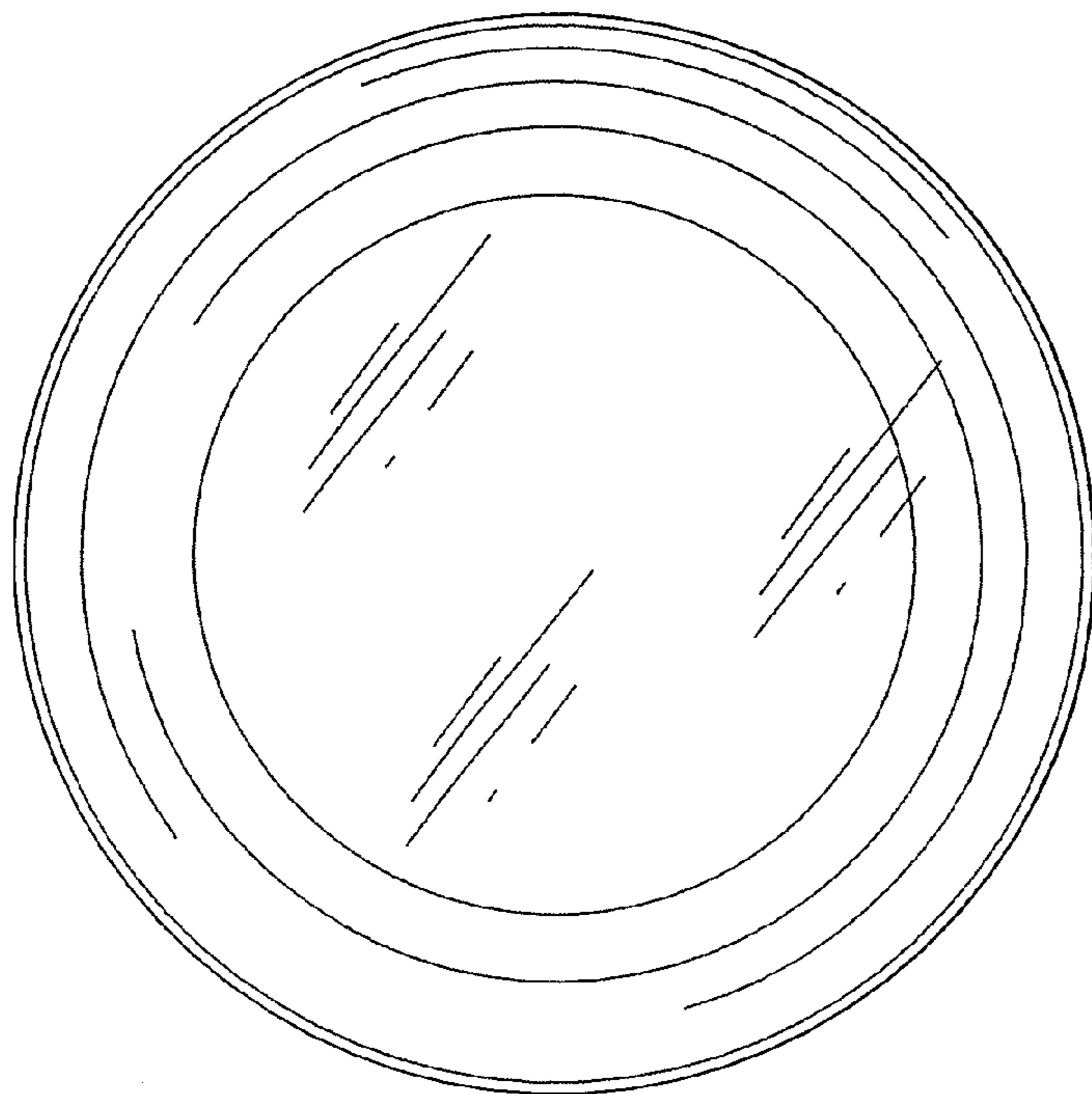


FIG. 6

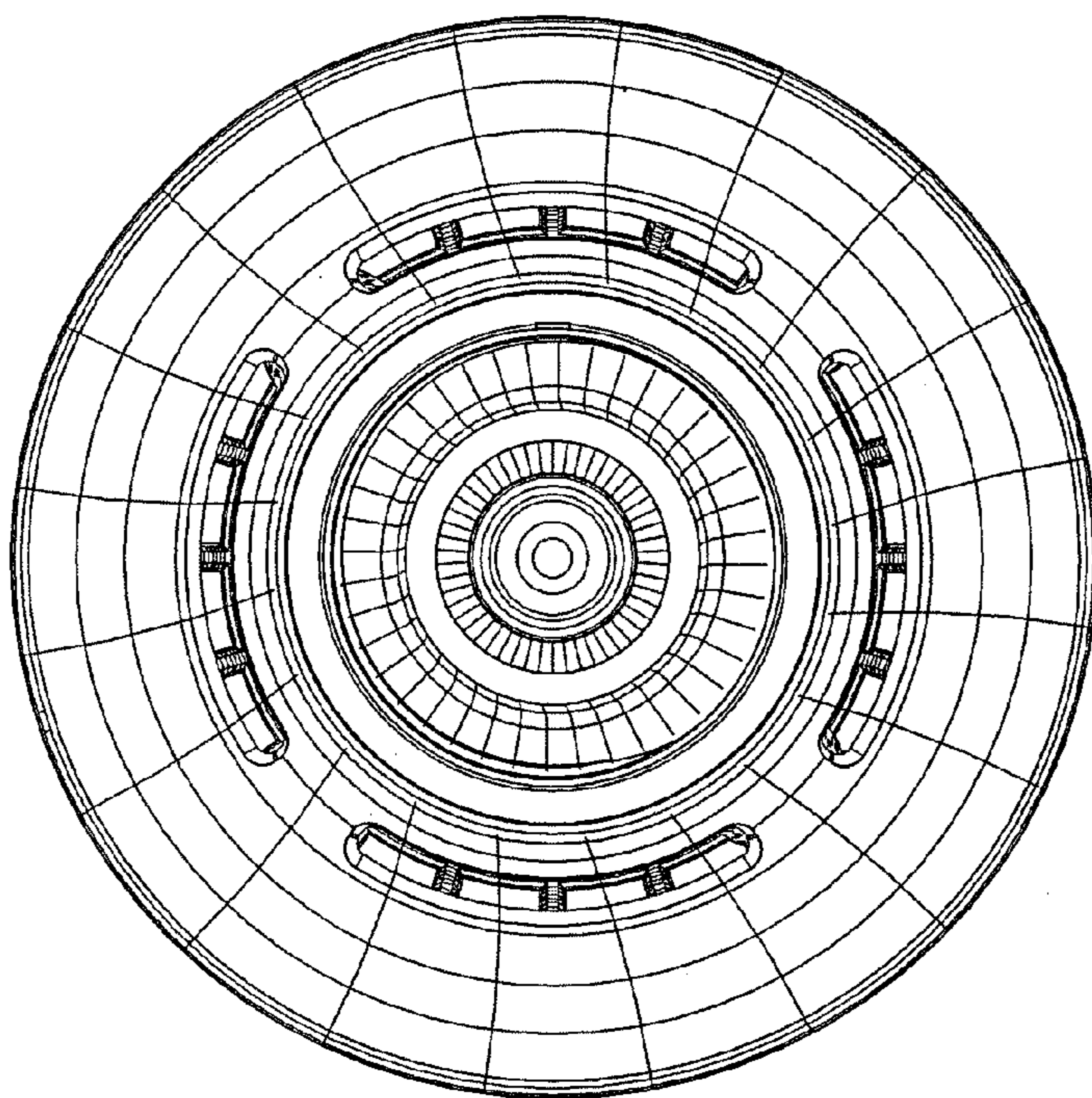


FIG. 5

FIG. 7

