



US00D735374S

(12) **United States Design Patent**
Bao et al.

(10) **Patent No.:** **US D735,374 S**
(45) **Date of Patent:** **** Jul. 28, 2015**

(54) **DIRECTIONAL LAMP**
(71) Applicant: **Zhejiang Shenghui Lighting Co., Ltd.**,
 Jiaxing (CN)
(72) Inventors: **Cong Bao**, Jiaxing (CN); **Zhazhou**
 Chen, Jiaxing (CN); **Yinxiao Zhu**,
 Jiaxing (CN)
(73) Assignee: **Zhejiang Shengui Lighting Co., Ltd.**,
 Jiaxing (CN)

8,226,270 B2 * 7/2012 Yamamoto et al. 362/294
8,272,766 B2 * 9/2012 Phipps et al. 362/294
D688,394 S * 8/2013 Tsai D26/2
D691,745 S * 10/2013 Wang et al. D26/2
D693,948 S * 11/2013 Reier et al. D26/2
D698,048 S * 1/2014 Jiang et al. D26/2
D698,049 S * 1/2014 Jiang et al. D26/2
D700,720 S * 3/2014 Su D26/2
D713,565 S * 9/2014 Yang D26/2
D720,478 S * 12/2014 Zeng et al. D26/2
8,905,600 B2 * 12/2014 Sun et al. 362/373
D722,710 S * 2/2015 Cho D26/2

* cited by examiner

(**) Term: **14 Years**

Primary Examiner — Ian Simmons

(21) Appl. No.: **29/484,314**

Assistant Examiner — Harold Blackwell, II

(22) Filed: **Mar. 7, 2014**

(74) *Attorney, Agent, or Firm* — Wang Law Firm, Inc.; Li K.
Wang; Stephen Hsu

(51) **LOC (10) Cl.** **26-02**

(52) **U.S. Cl.**
USPC **D26/2**

(57) **CLAIM**
The ornamental design for a directional lamp, as shown and
described.

(58) **Field of Classification Search**
USPC D26/1-4; 313/313, 315, 316, 317, 318,
 313/493; 315/52, 53, 56, 57, 58; 362/294,
 362/373, 327
CPC B60Q 1/0064
See application file for complete search history.

DESCRIPTION

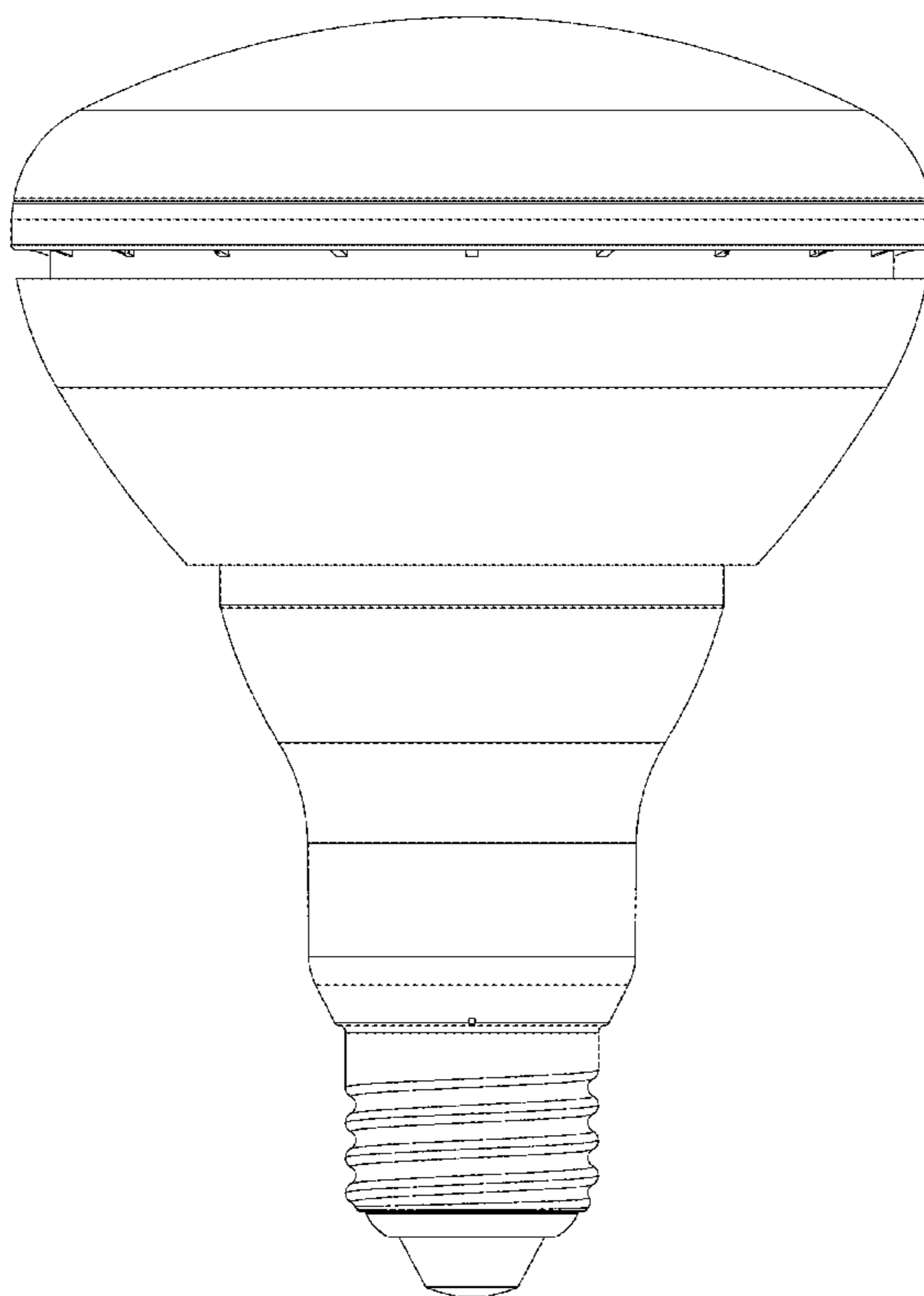
FIG. 1 is a side view;
FIG. 2 is a top view;
FIG. 3 is a bottom view;
FIG. 4 is a side view on the side opposite FIG. 1;
FIG. 5 is a bottom perspective view; and,
FIG. 6 is a top perspective view.

(56) **References Cited**

U.S. PATENT DOCUMENTS

6,814,470 B2 * 11/2004 Rizkin et al. 362/327
7,319,293 B2 * 1/2008 Maxik 313/636

1 Claim, 6 Drawing Sheets



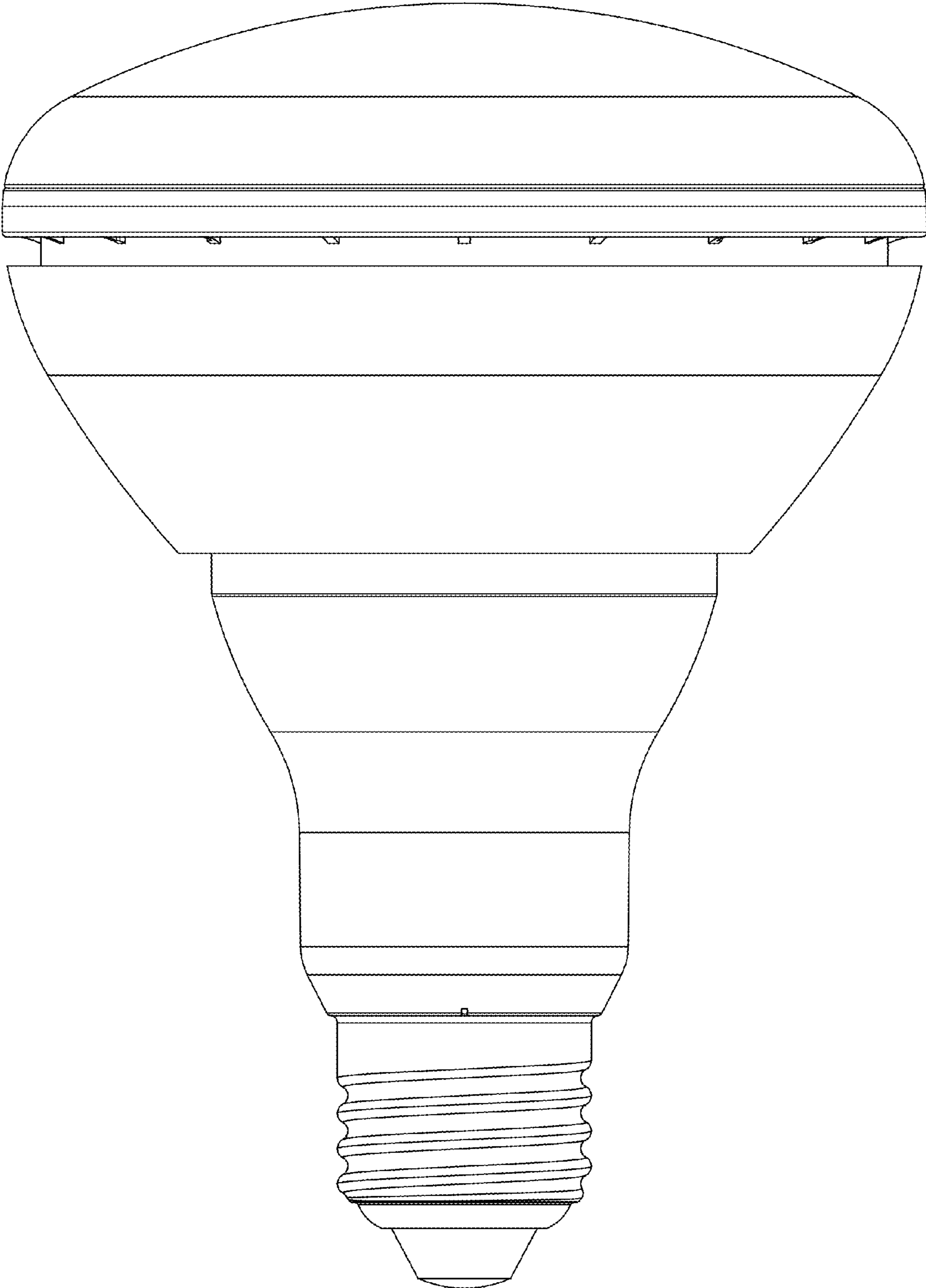


Fig 1

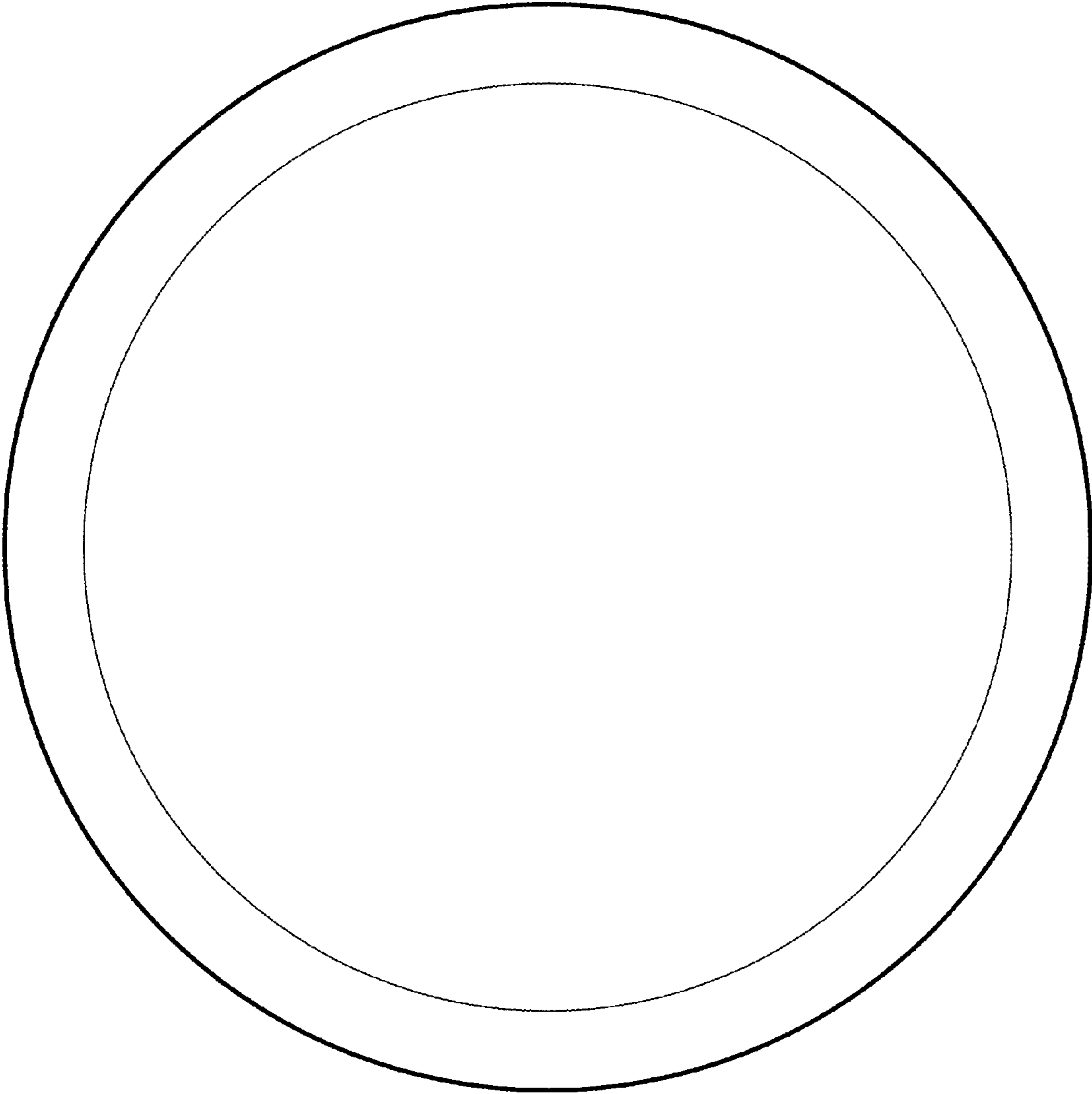


Fig 2

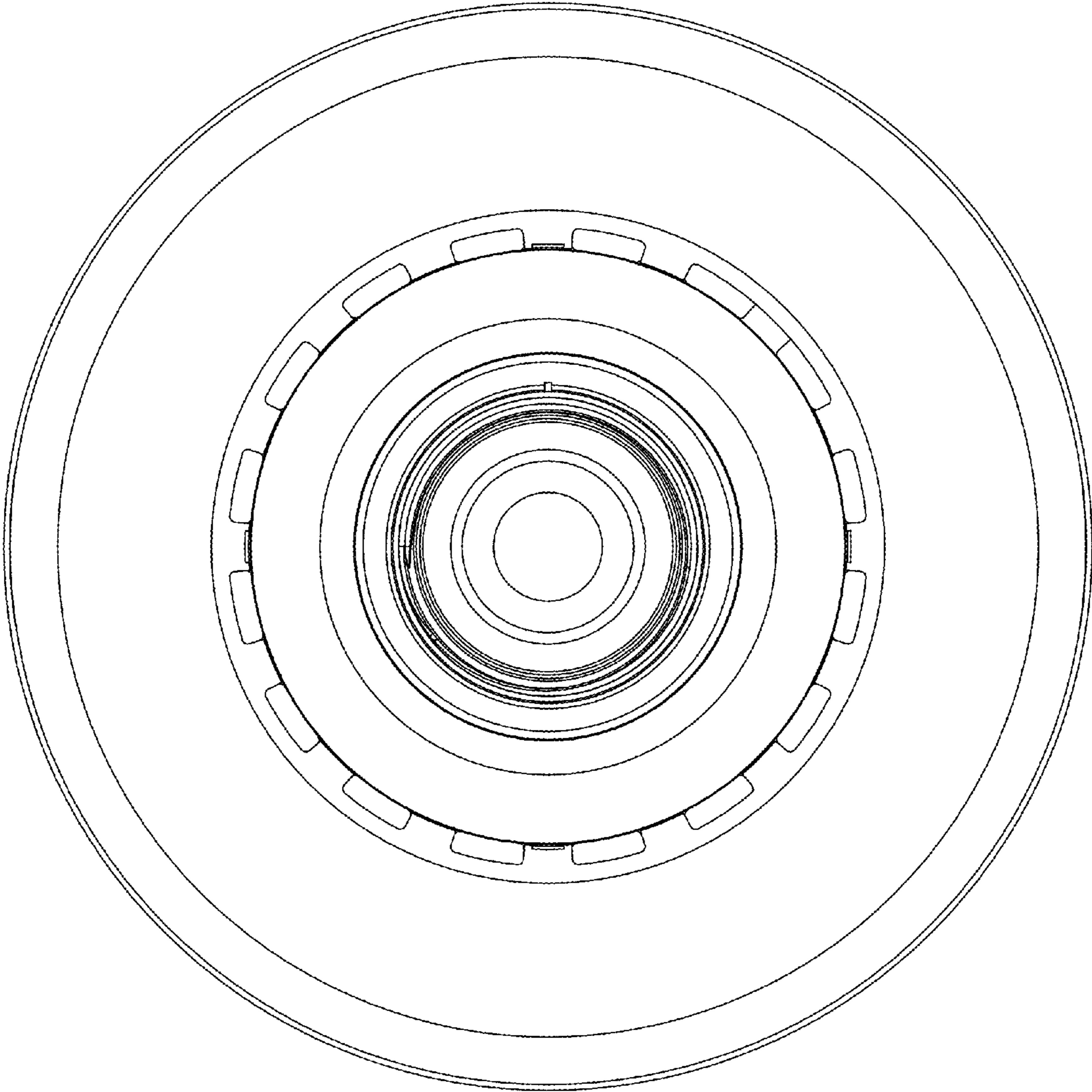


Fig 3

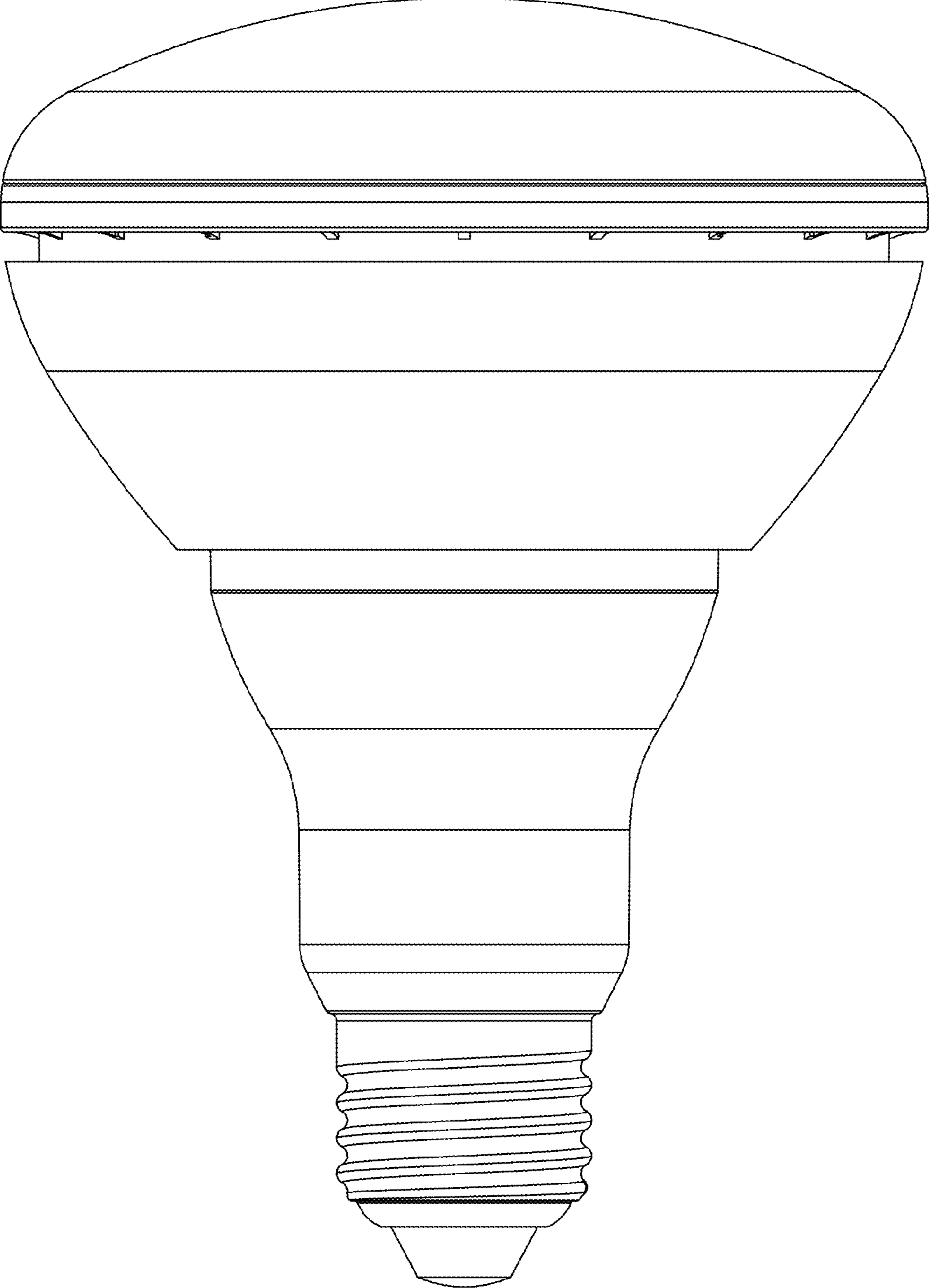


Fig 4

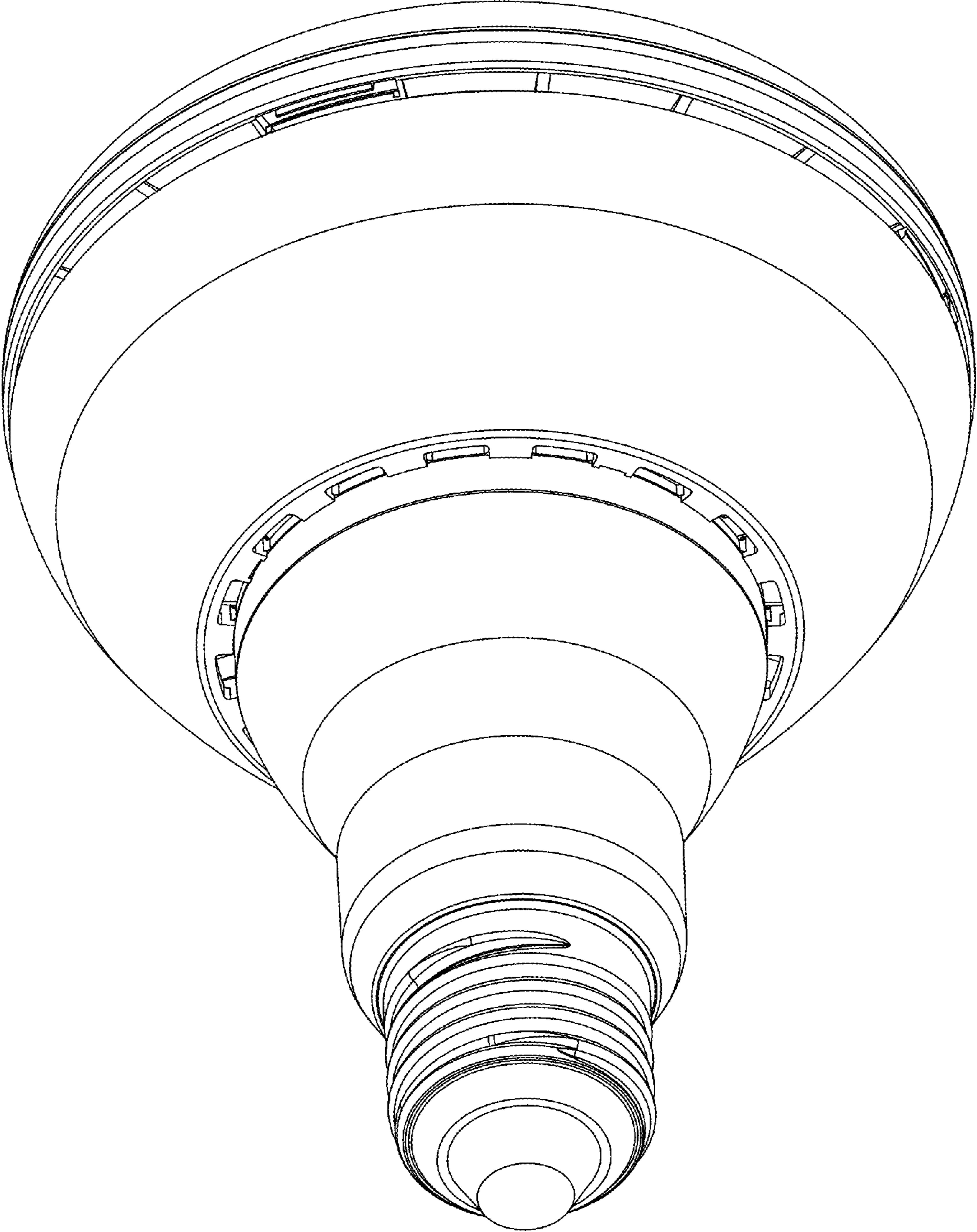


Fig 5

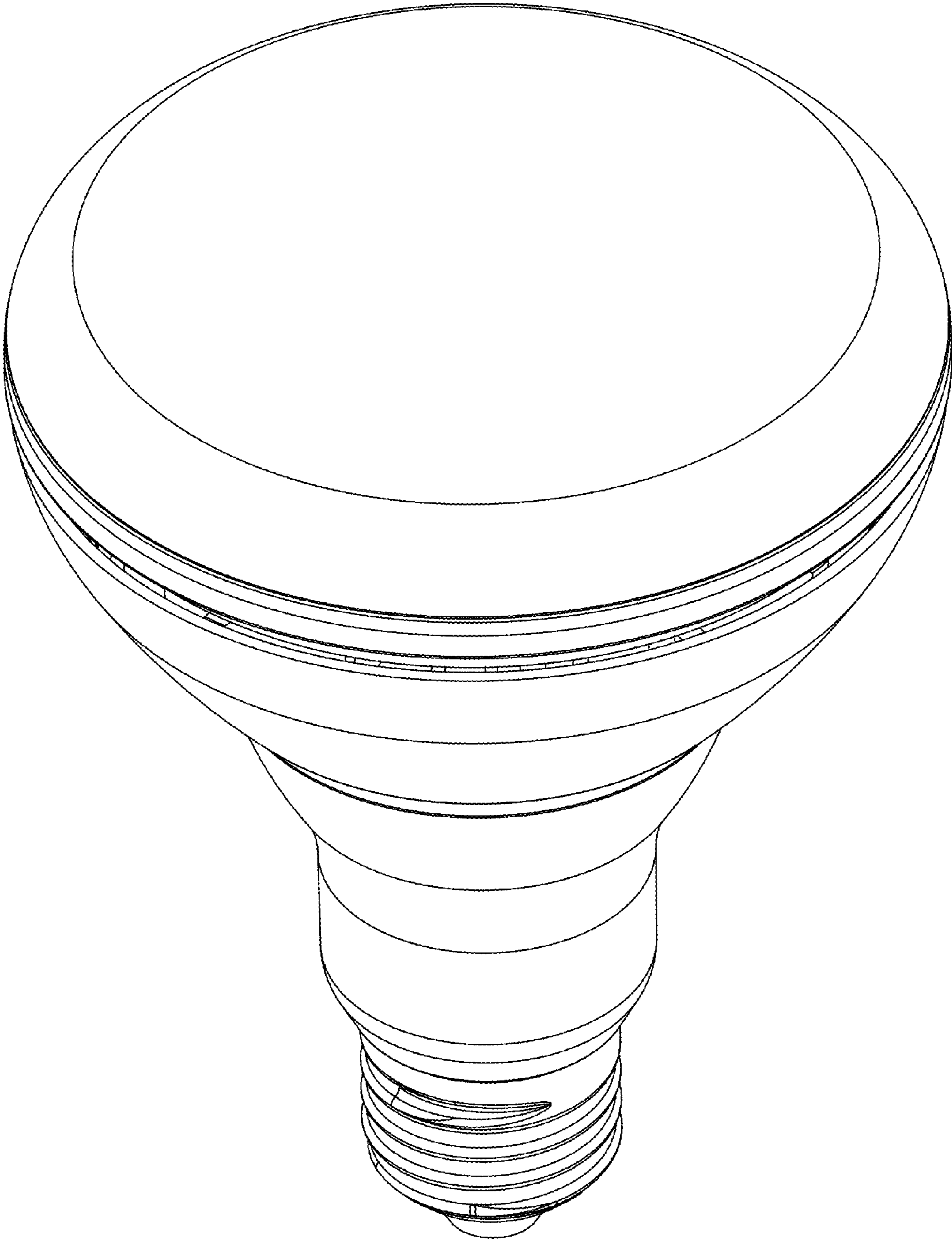


Fig 6