



US00D735370S

(12) **United States Design Patent**
Li

(10) **Patent No.:** **US D735,370 S**
(45) **Date of Patent:** **** Jul. 28, 2015**

- (54) **LAMP**
- (71) Applicant: **Xiao Hui Li**, Guangdong (CN)
- (72) Inventor: **Xiao Hui Li**, Guangdong (CN)
- (73) Assignee: **Brilliance LED, LLC**, Carefree, AZ (US)
- (**) Term: **14 Years**
- (21) Appl. No.: **29/479,469**
- (22) Filed: **Jan. 16, 2014**
- (51) **LOC (10) Cl.** **26-04**
- (52) **U.S. Cl.**
USPC **D26/2**
- (58) **Field of Classification Search**
USPC D26/1-4; 313/313, 315, 316, 317, 318,
313/493; 315/52, 53, 56, 57, 58
See application file for complete search history.

D527,119 S *	8/2006	Maxik et al.	D26/2
D532,532 S *	11/2006	Maxik	D26/2
D545,457 S *	6/2007	Chen	D26/2
D551,784 S *	9/2007	Krieglmeyer et al.	D26/2
D581,554 S *	11/2008	To et al.	D26/2
D629,927 S *	12/2010	Chen et al.	D26/2

* cited by examiner

Primary Examiner — Marcus Jackson
(74) *Attorney, Agent, or Firm* — Venjuris, P.C.

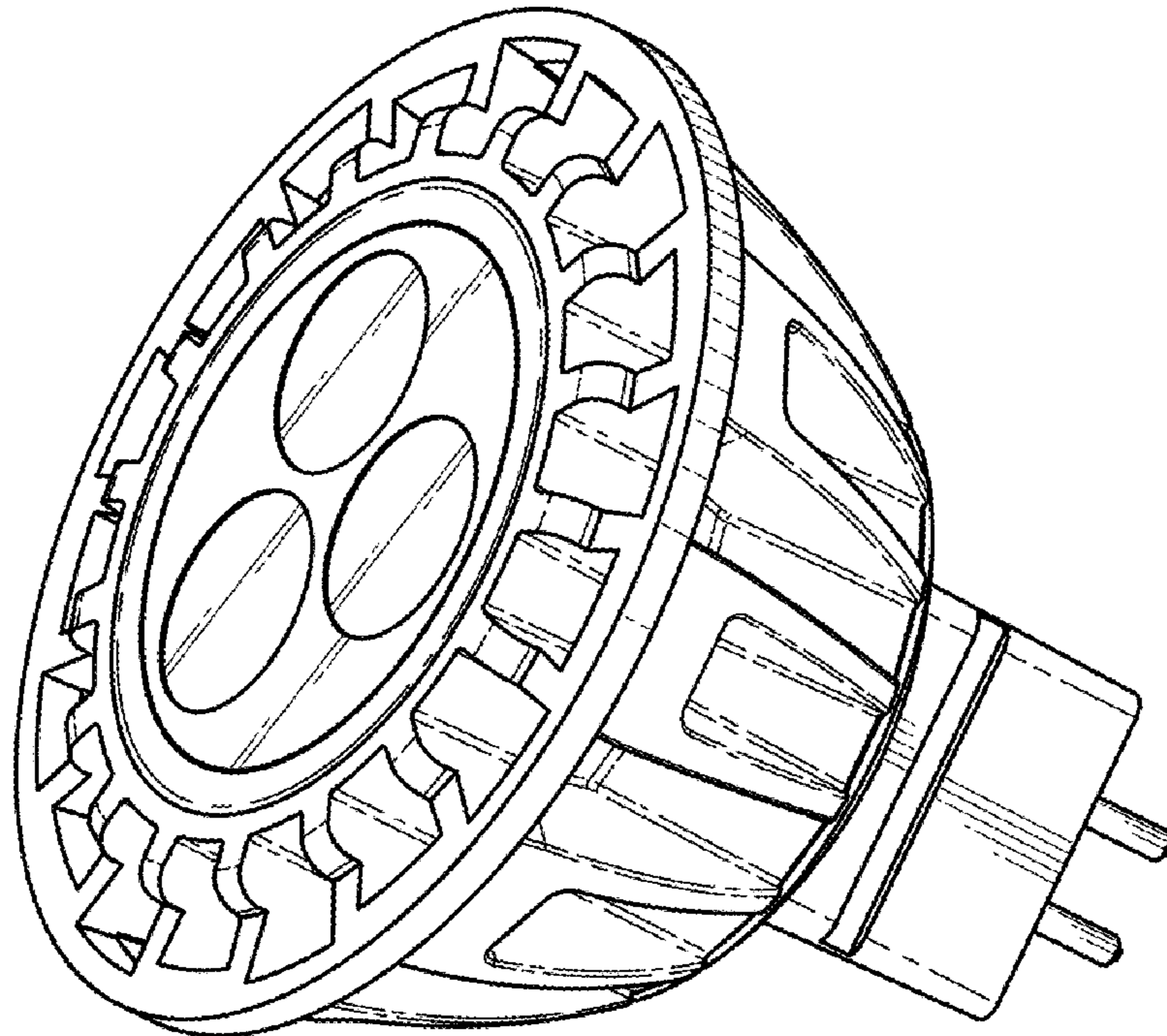
(57) **CLAIM**
The ornamental design for a lamp, as shown and described.

DESCRIPTION

FIG. 1 is a perspective view of a lamp embodying the new design;
FIG. 2 is a perspective view of the lamp rotated 180 degrees along the length of the light;
FIG. 3 is a front elevational view of the lamp, the rear elevational view being a mirror image;
FIG. 4 is a left elevational view of the lamp, the right elevational view being a mirror image;
FIG. 5 is a top plan view of the lamp; and,
FIG. 6 is a bottom plan view of the lamp.

1 Claim, 3 Drawing Sheets

- (56) **References Cited**
U.S. PATENT DOCUMENTS
D497,439 S * 10/2004 Shaw et al. D26/2
D516,229 S * 2/2006 Tang



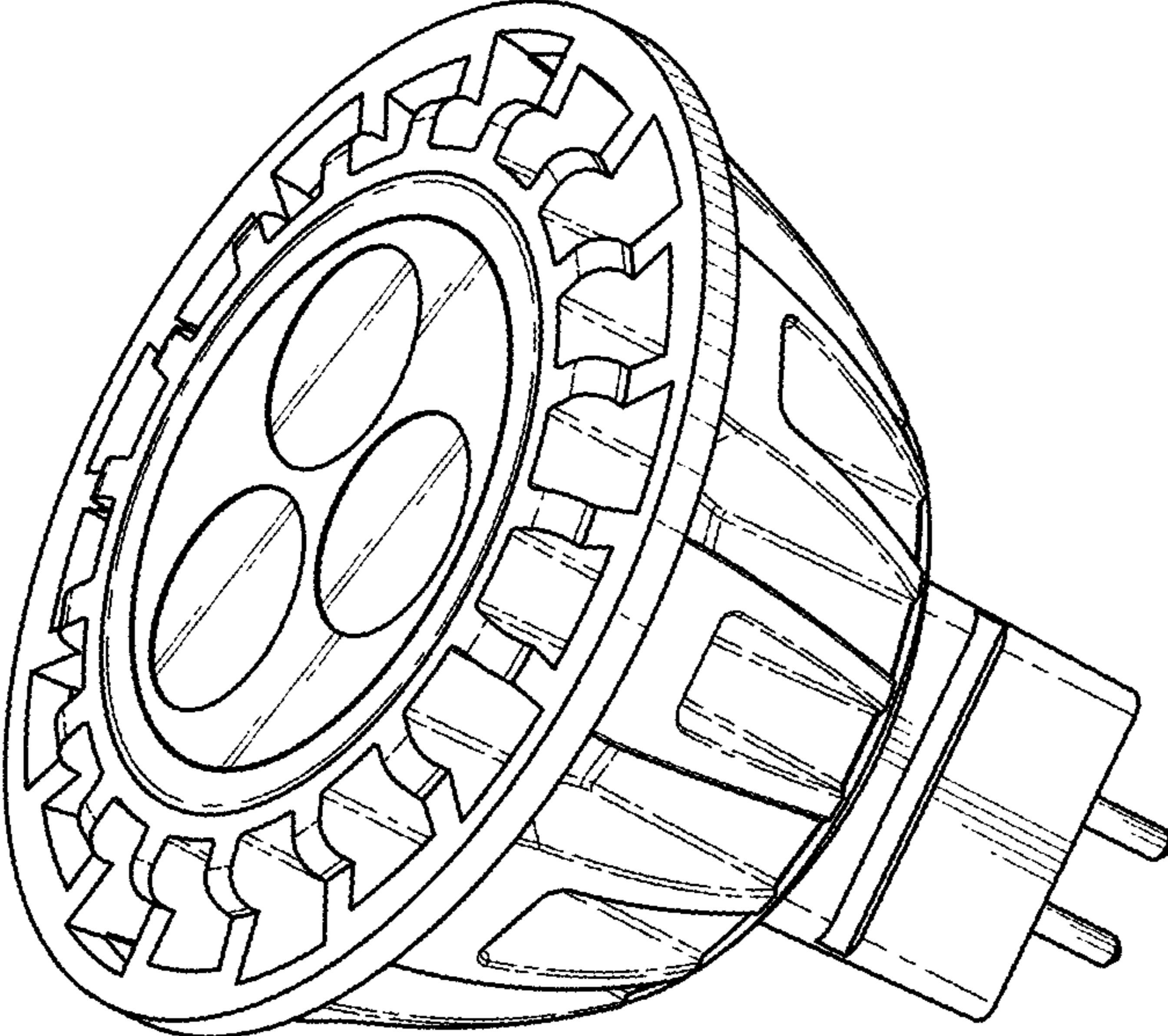


FIG. 1

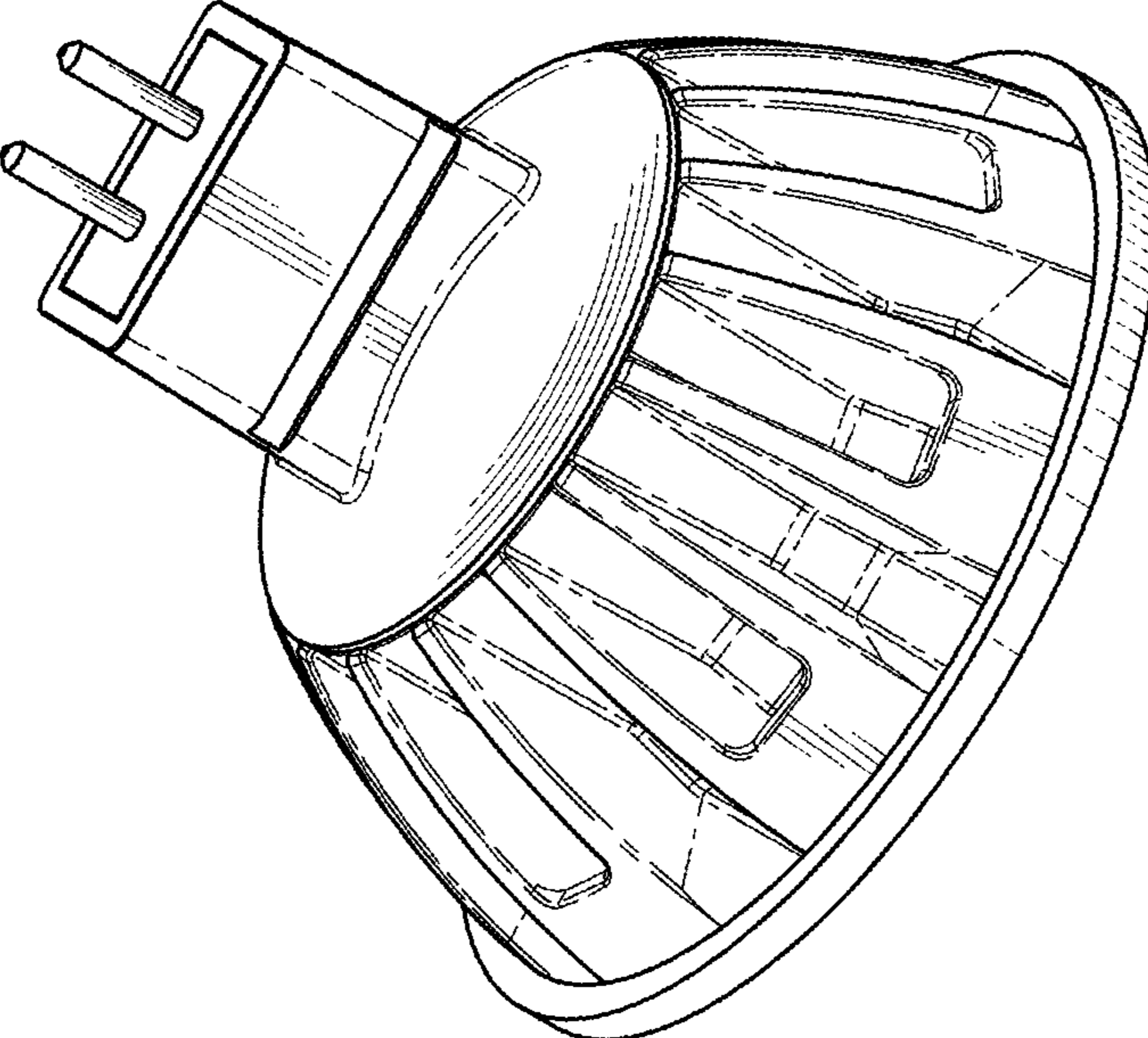


FIG. 2

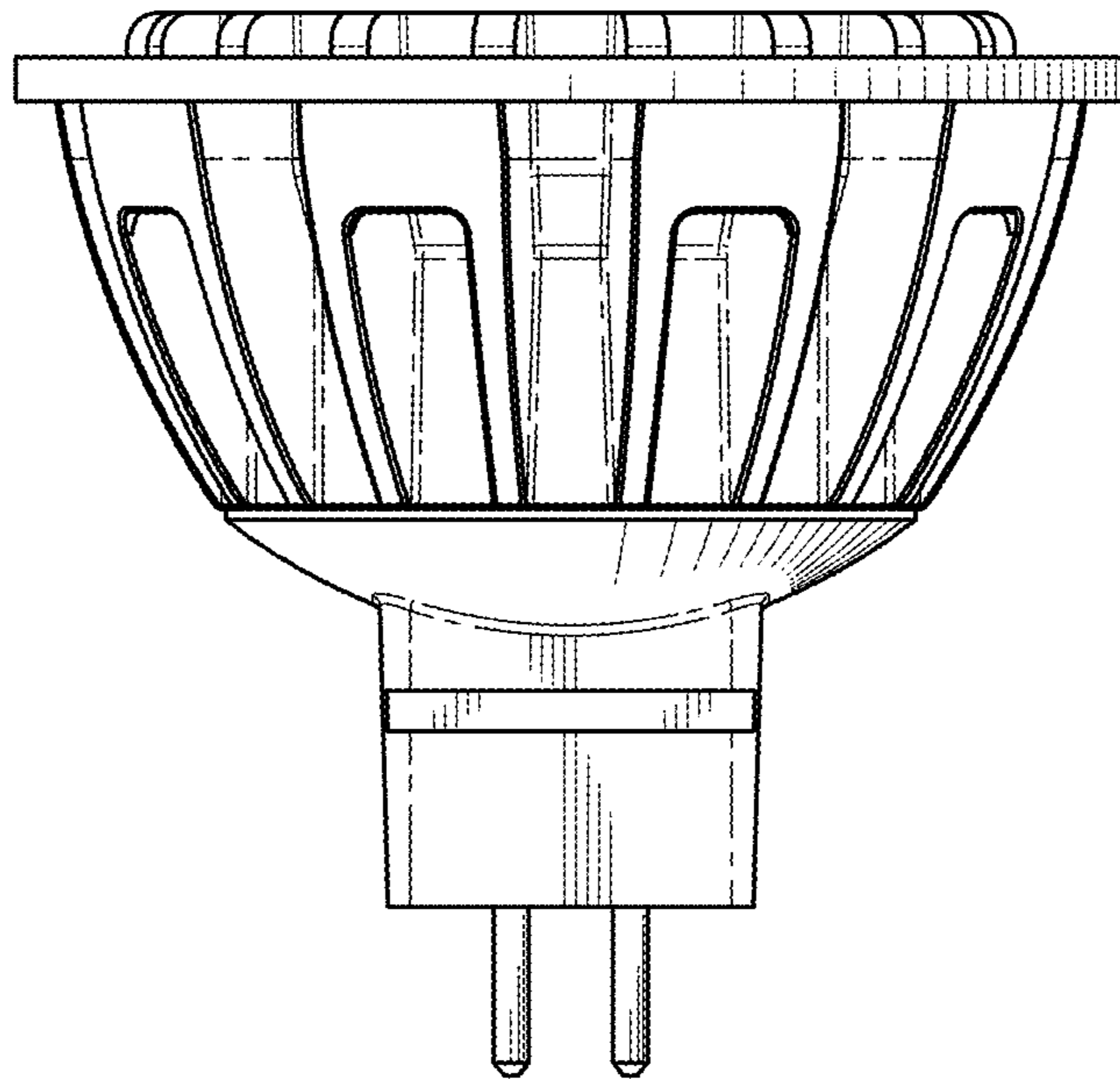


FIG. 3

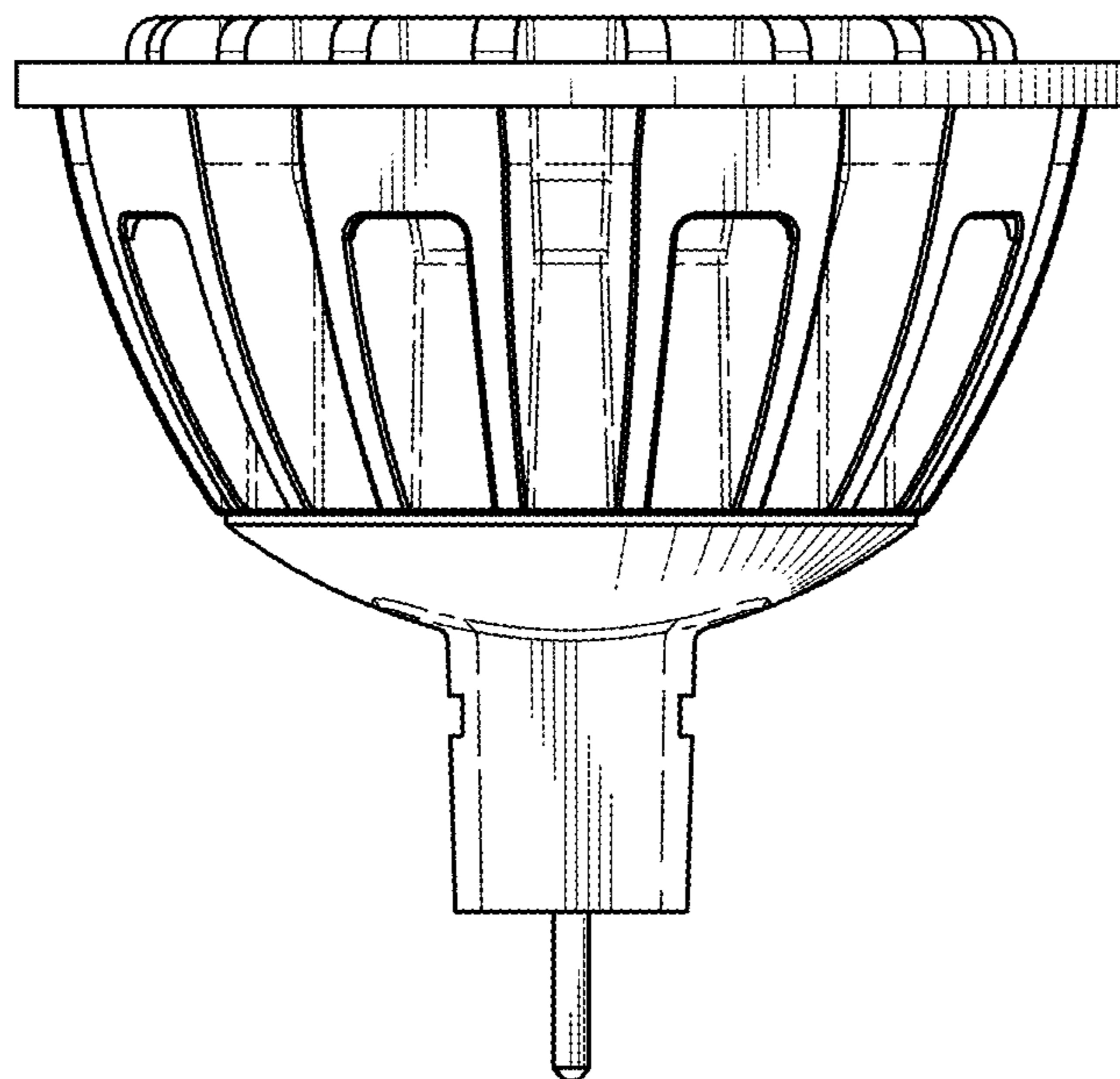


FIG. 4

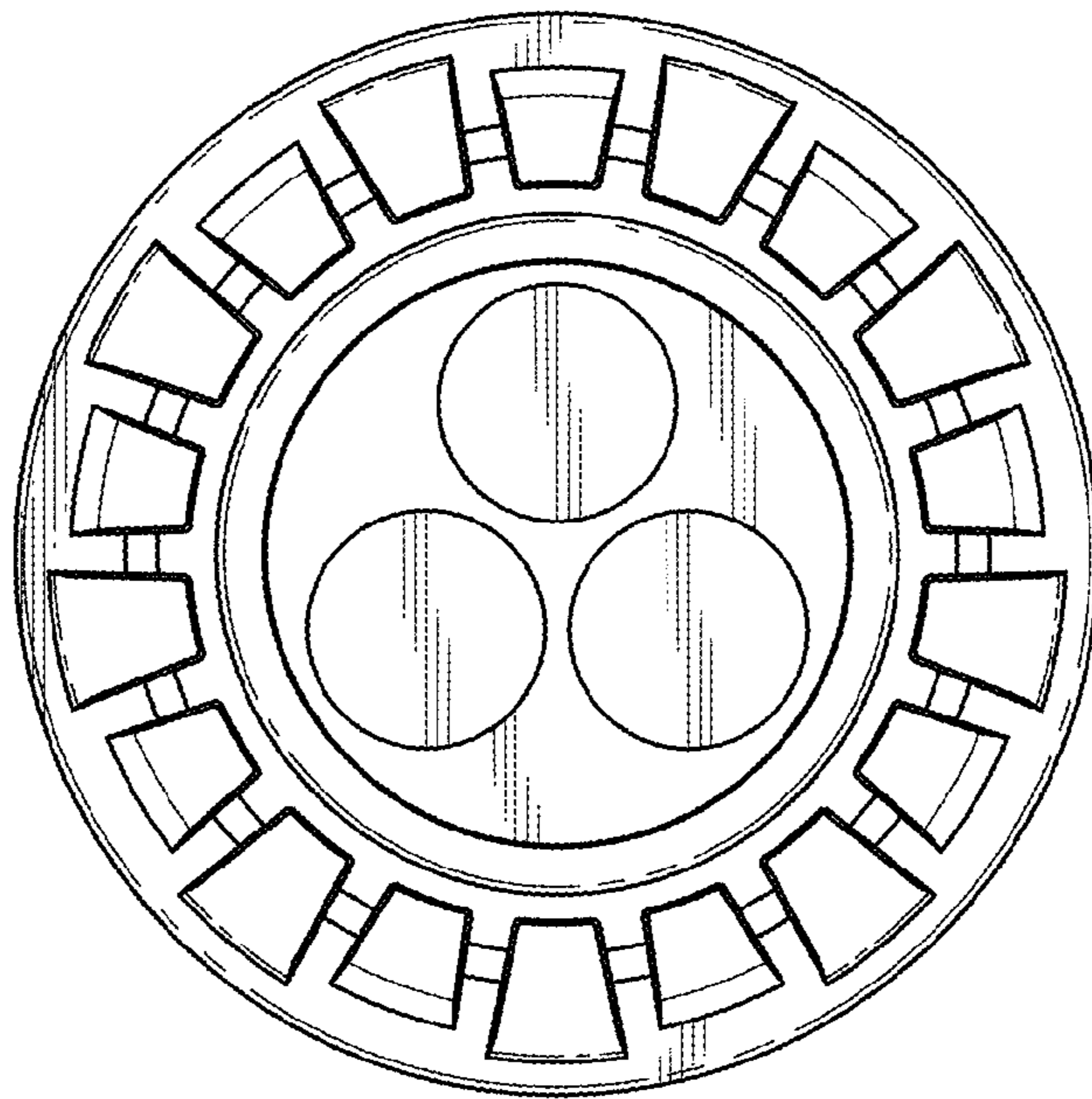


FIG. 5

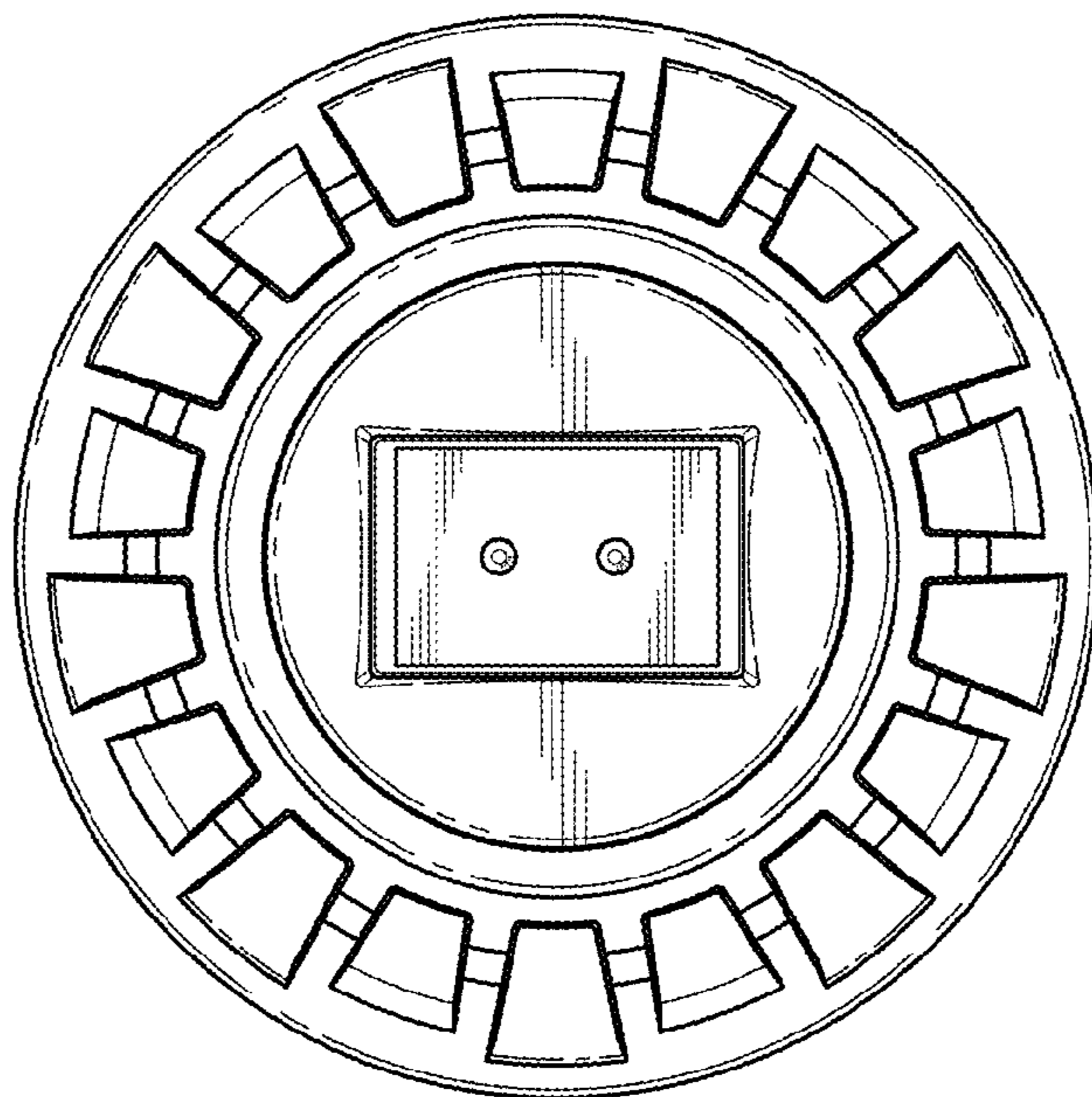


FIG. 6