



US00D735369S

(12) **United States Design Patent**
Li

(10) **Patent No.:** **US D735,369 S**
(45) **Date of Patent:** **** Jul. 28, 2015**

(54) **LAMP**

(71) Applicant: **Brilliance LED, LLC**, Carefree, AZ
(US)

(72) Inventor: **Xiao Hui Li**, Guangdong (CN)

(73) Assignee: **Brilliance LED, LLC**, Carefree, AZ
(US)

(**) Term: **14 Years**

(21) Appl. No.: **29/479,465**

(22) Filed: **Jan. 16, 2014**

(51) **LOC (10) Cl.** **26-04**

(52) **U.S. Cl.**
USPC **D26/2**

(58) **Field of Classification Search**
USPC D26/1-4; 313/313, 315, 316, 317, 318,
313/493; 315/52, 53, 56, 57, 58

See application file for complete search history.

(56) **References Cited**

U.S. PATENT DOCUMENTS

D497,439 S * 10/2004 Shaw et al. D26/2
D676,986 S * 2/2013 Maxik et al. D26/2

* cited by examiner

Primary Examiner — Marcus Jackson

(57) **CLAIM**

The ornamental design for a lamp, as shown and described.

DESCRIPTION

FIG. 1 is a perspective view of a lamp embodying the new design;

FIG. 2 is a perspective view of the lamp rotated 180 degrees along the length of the lamp;

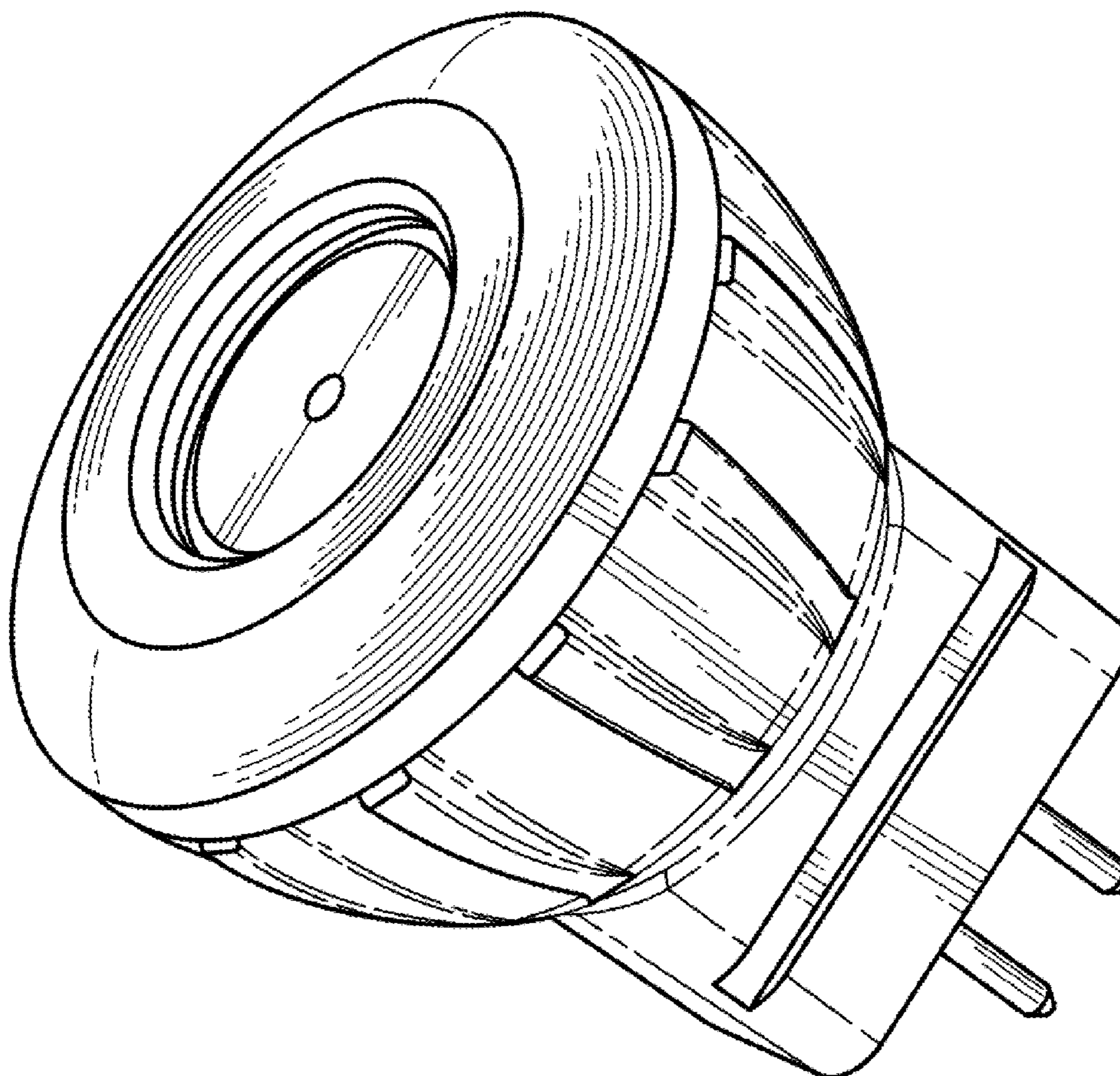
FIG. 3 is a front elevational view of the lamp, the rear elevational view being a mirror image;

FIG. 4 is a left elevational view of the lamp, the right elevational view being a mirror image;

FIG. 5 is a top plan view of the lamp; and,

FIG. 6 is a bottom plan view of the lamp.

1 Claim, 3 Drawing Sheets



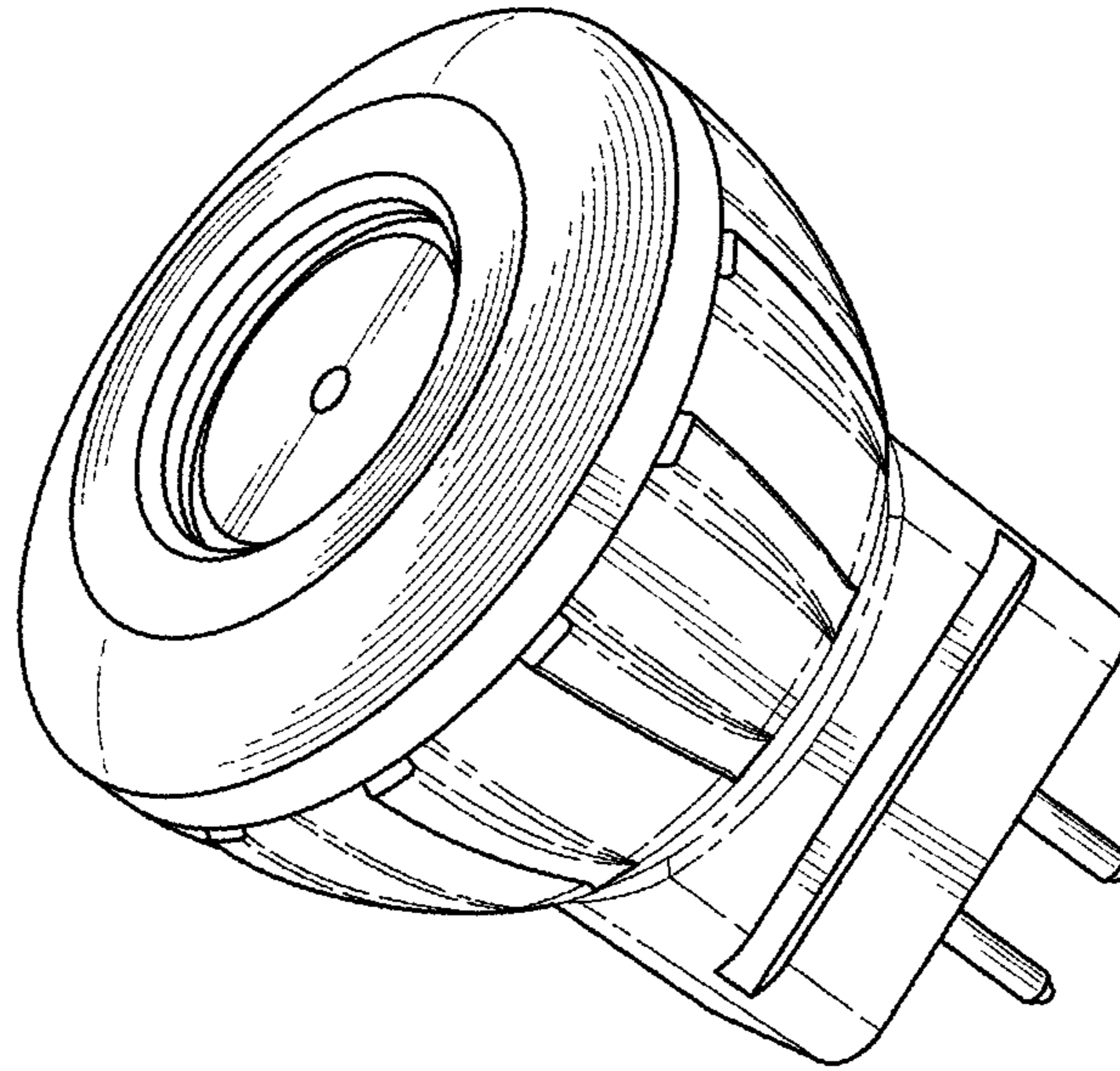


FIG. 1

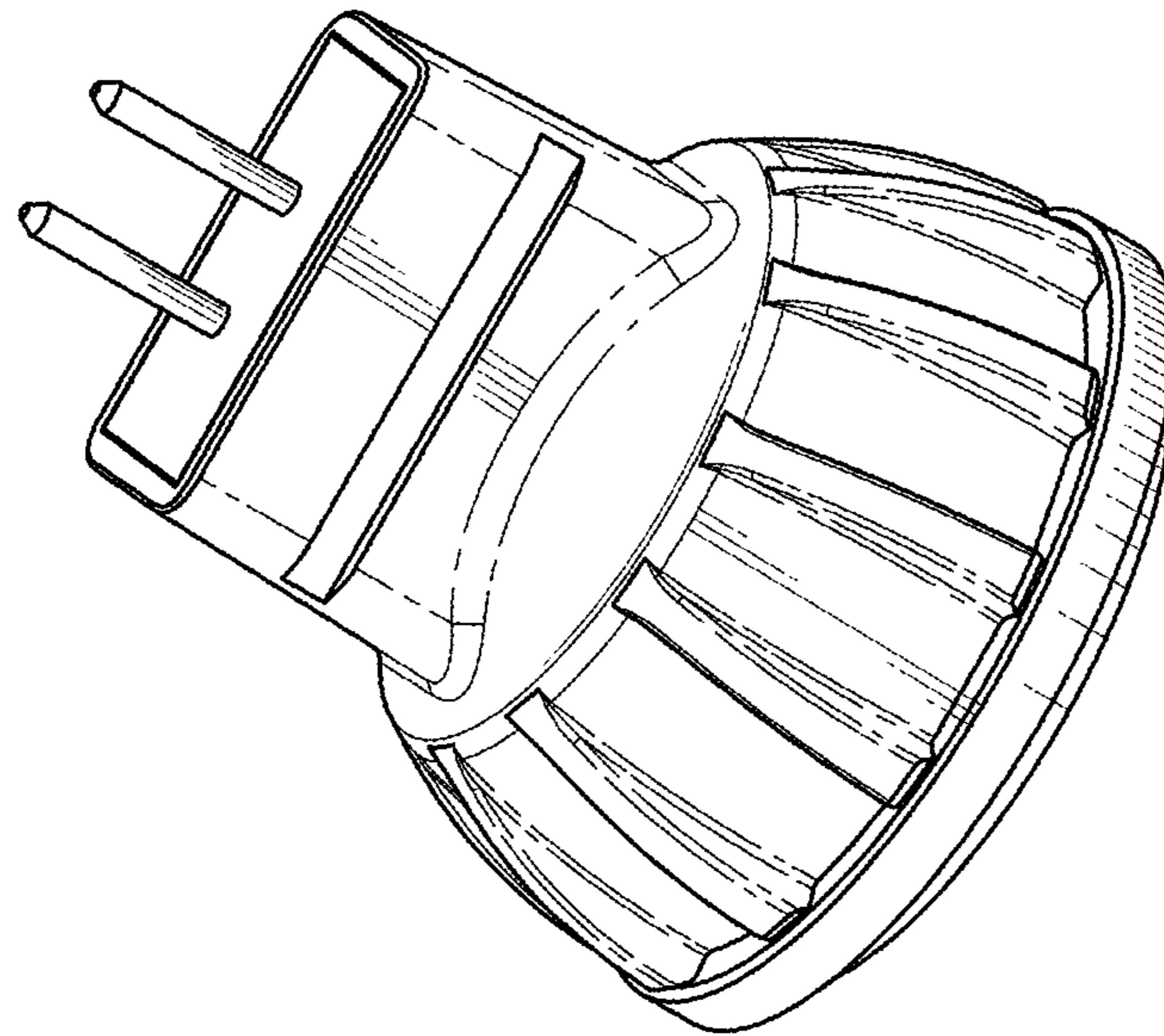


FIG. 2

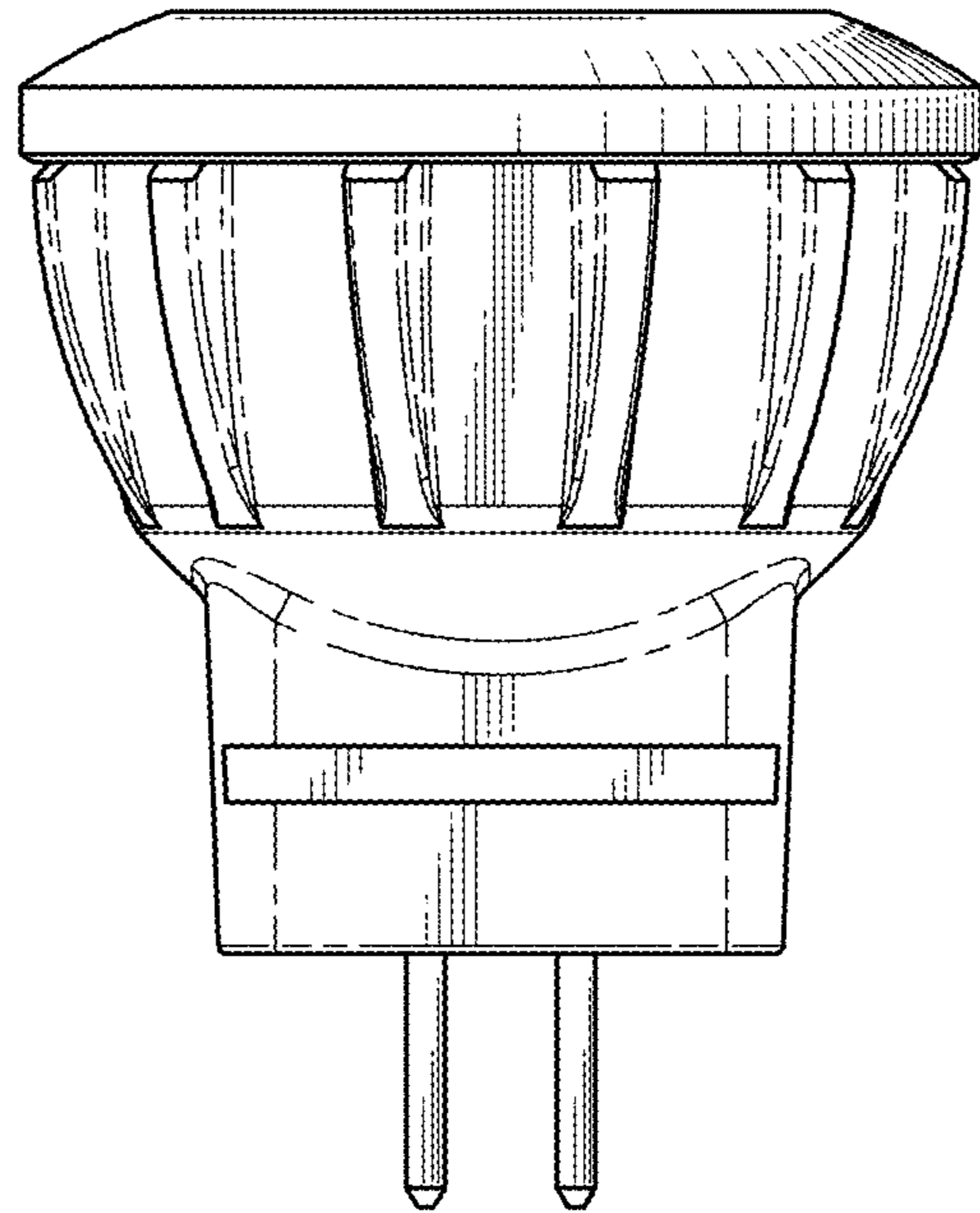


FIG. 3

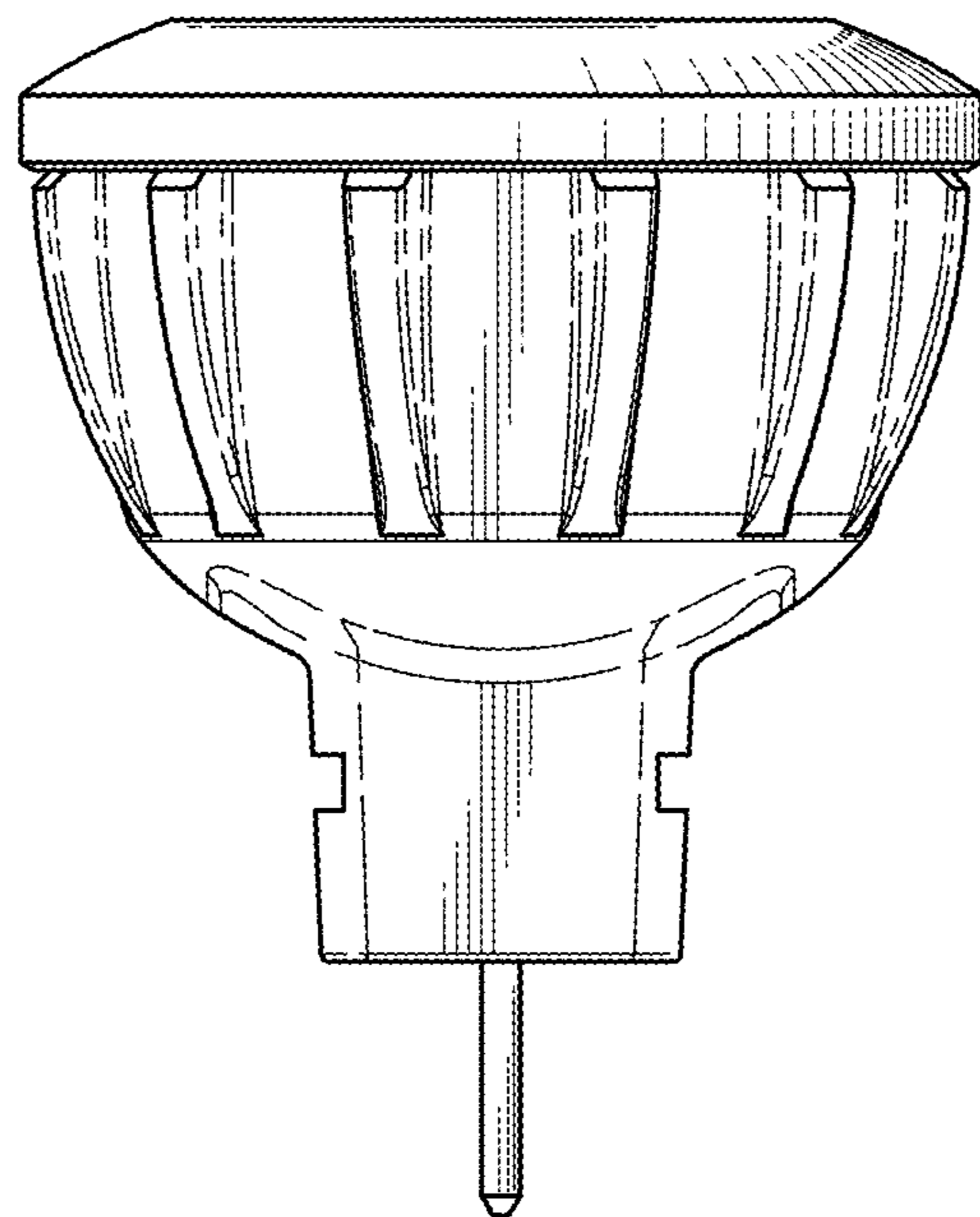


FIG. 4

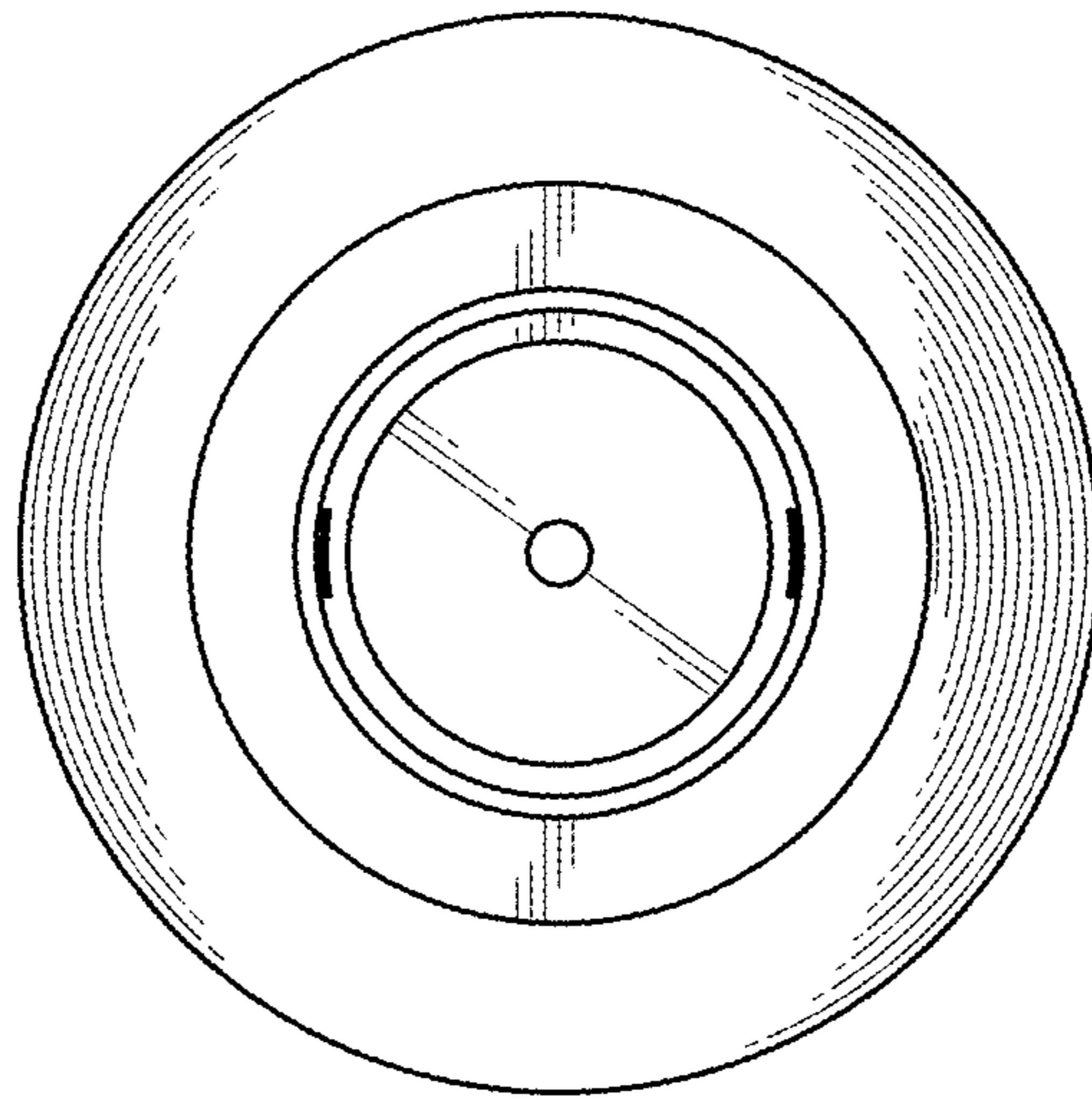


FIG. 5

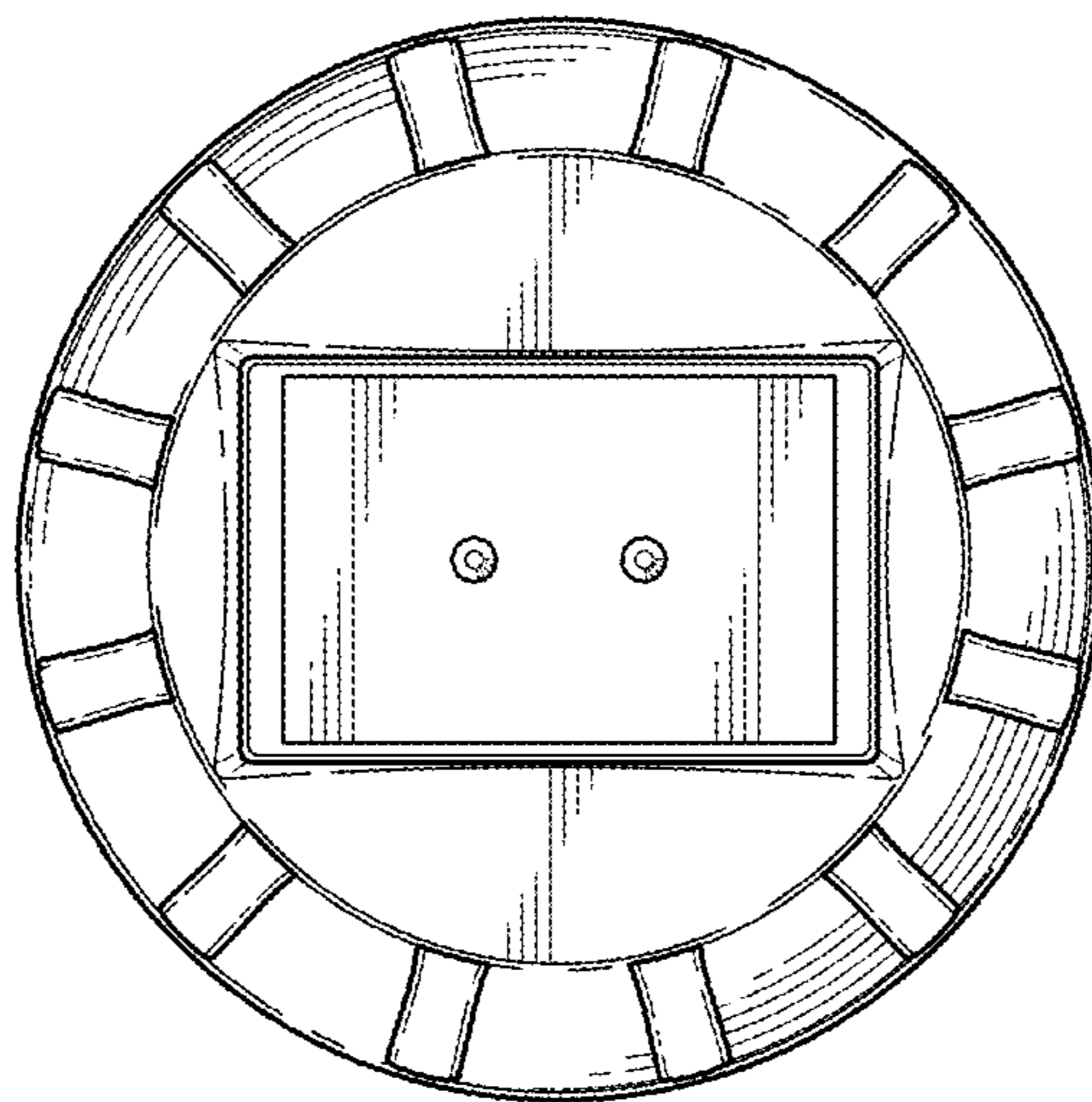


FIG. 6