



US00D735368S

(12) **United States Design Patent**
McGrath et al.

(10) **Patent No.:** **US D735,368 S**
(45) **Date of Patent:** **** Jul. 28, 2015**

- (54) **SOLID STATE LIGHT ASSEMBLY**
- (71) Applicant: **3M INNOVATIVE PROPERTIES COMPANY**, St. Paul, MN (US)
- (72) Inventors: **Kayla A. McGrath**, Cottage Grove, MN (US); **Hamid R. Mortazavi**, Woodbury, MN (US); **Perry S. Dotterman**, Maplewood, MN (US); **James F. Poch**, Ellsworth, WI (US); **Loren E. Moeri**, New Ulm, MN (US)
- (73) Assignee: **3M INNOVATIVE PROPERTIES COMPANY**, Saint Paul, MN (US)
- (**) Term: **14 Years**
- (21) Appl. No.: **29/475,575**
- (22) Filed: **Dec. 4, 2013**
- (51) **LOC (10) Cl.** **26-04**
- (52) **U.S. Cl.**
USPC **D26/2**
- (58) **Field of Classification Search**
USPC D26/1-4; 313/313, 315, 316, 317, 318, 313/493; 315/52, 53, 56, 57, 58
See application file for complete search history.

D642,704 S 8/2011 Hagens
D665,931 S 8/2012 Peng
8,487,518 B2 7/2013 Johnston

(Continued)

FOREIGN PATENT DOCUMENTS

DE 20 2007 009 272 12/2007
EP 2 025 992 2/2009

(Continued)

OTHER PUBLICATIONS

“A Game Changing Technology: ITRI’s Wide Angle LED Bulb,” ITRI Today, The Industrial Technology Research Institute, No. 68, Spring Quarter, pp. 6-7 (2012).
Search Report for Design Patent Application, ROC (Taiwan) Design Patent Application No. 103303321, 2 pages, Date of Completion: Jan. 12, 2015.

Primary Examiner — Marcus Jackson

(57) **CLAIM**

The ornamental design for a solid state light assembly, as shown and described.

DESCRIPTION

FIG. 1 is a perspective view of the new design for a solid state light assembly having a transparent or semi-transparent optical guide for distributing light from solid state light sources, such as light emitting diodes, and an integrated internal thermal guide for dissipating heat from the solid state light sources;

FIG. 2 is a front view thereof;

FIG. 3 is a rear view thereof;

FIG. 4 is a right view thereof;

FIG. 5 is a left view thereof;

FIG. 6 is a top view thereof; and,

FIG. 7 is a bottom view thereof.

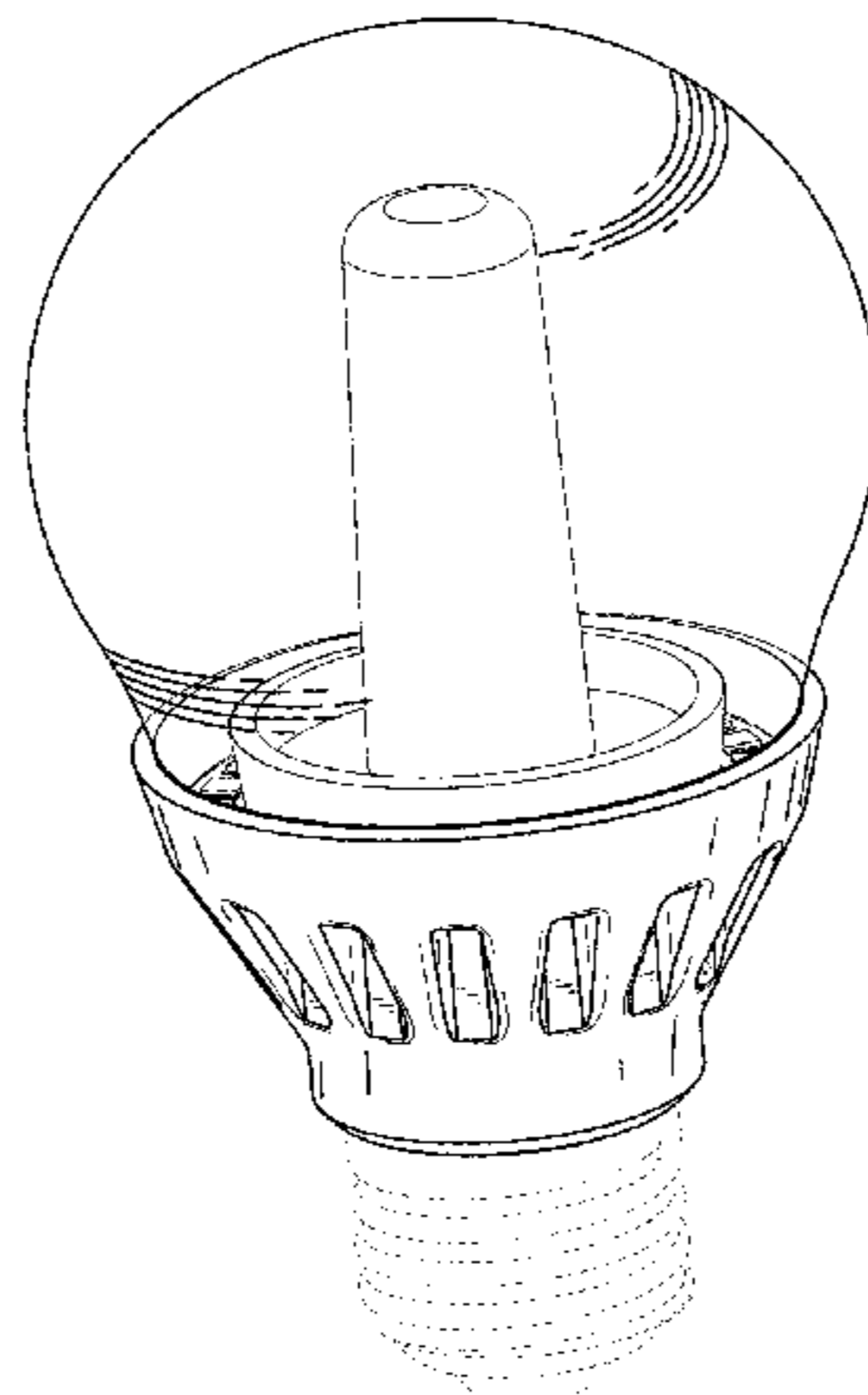
The claim is directed to the collective appearance of the components of the solid state light assembly shown. Broken lines are used to show a base that forms no part of the claimed design.

1 Claim, 6 Drawing Sheets

(56) **References Cited**

U.S. PATENT DOCUMENTS

D544,109 S *	6/2007	Tsuruha et al.	D26/2
D558,904 S *	1/2008	Tsuruha et al.	D26/2
D579,130 S *	10/2008	Hernandez et al.	D26/2
D600,368 S *	9/2009	Bertram et al.	D26/2
7,581,856 B2	9/2009	Kang		
7,607,802 B2	10/2009	Kang		
D610,273 S *	2/2010	Guo et al.	D26/2
7,708,452 B2	5/2010	Maxik		
D627,085 S	11/2010	Duan		
D629,929 S	12/2010	Chen		
D633,226 S	2/2011	Katsaros		
D634,451 S	3/2011	de Visser		



(56)

References Cited

2013/0113358 A1 5/2013 Progl

U.S. PATENT DOCUMENTS

FOREIGN PATENT DOCUMENTS

D687,978 S 8/2013 Jeon
D689,634 S 9/2013 Tsai
2008/0253125 A1 10/2008 Kang
2011/0032708 A1 2/2011 Johnston
2011/0101861 A1 5/2011 Yoo
2011/0298371 A1 12/2011 Brandes
2012/0106153 A1 5/2012 Huang
2012/0194054 A1 8/2012 Johnston
2013/0107496 A1 5/2013 Bisberg

JP D1437435 4/2012
JP D1446205 7/2012
JP 1461626 2/2013
TW 157253 11/2013
WO 2010/058325 5/2010
WO 2012/139358 10/2012

* cited by examiner

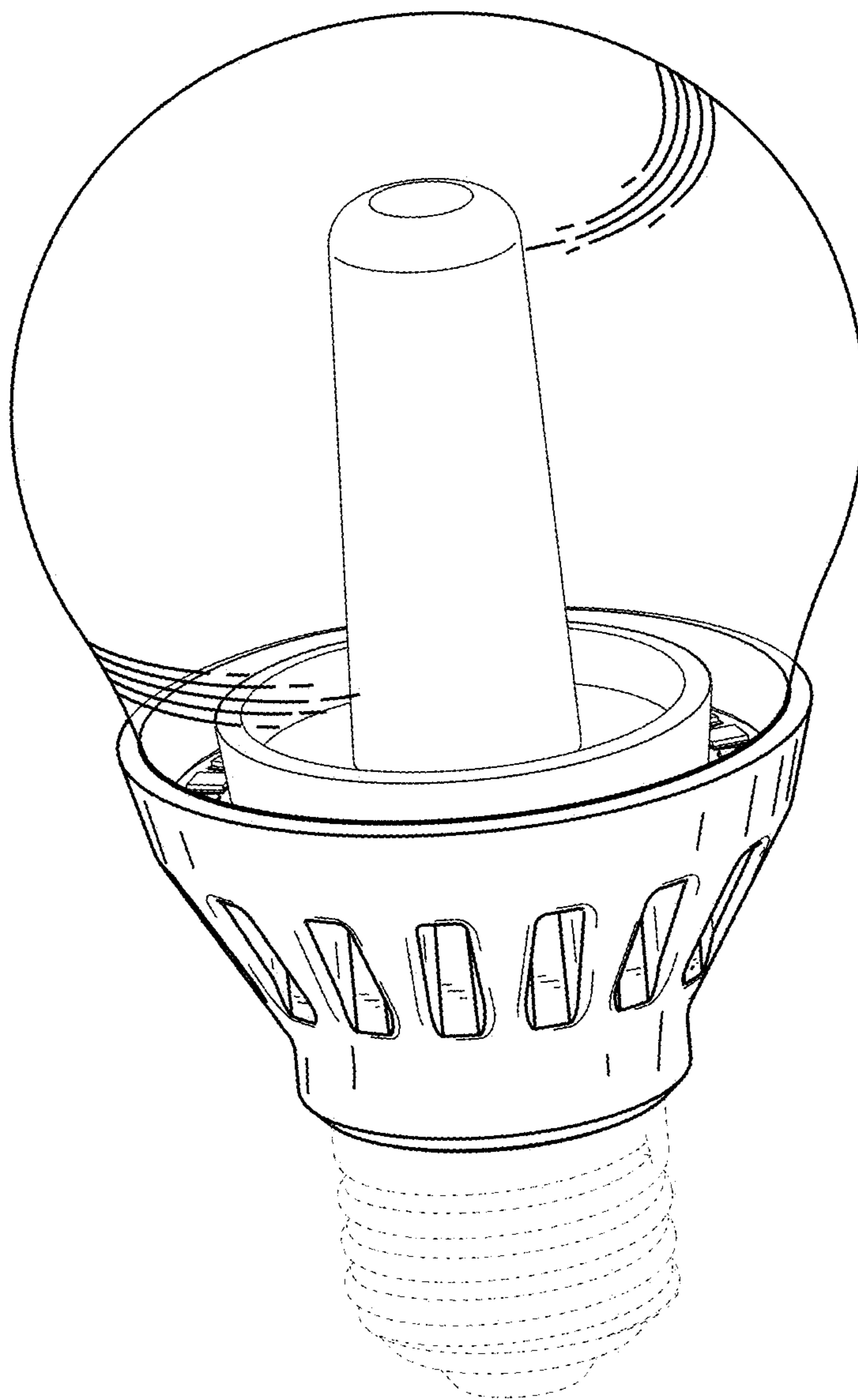


FIG. 1

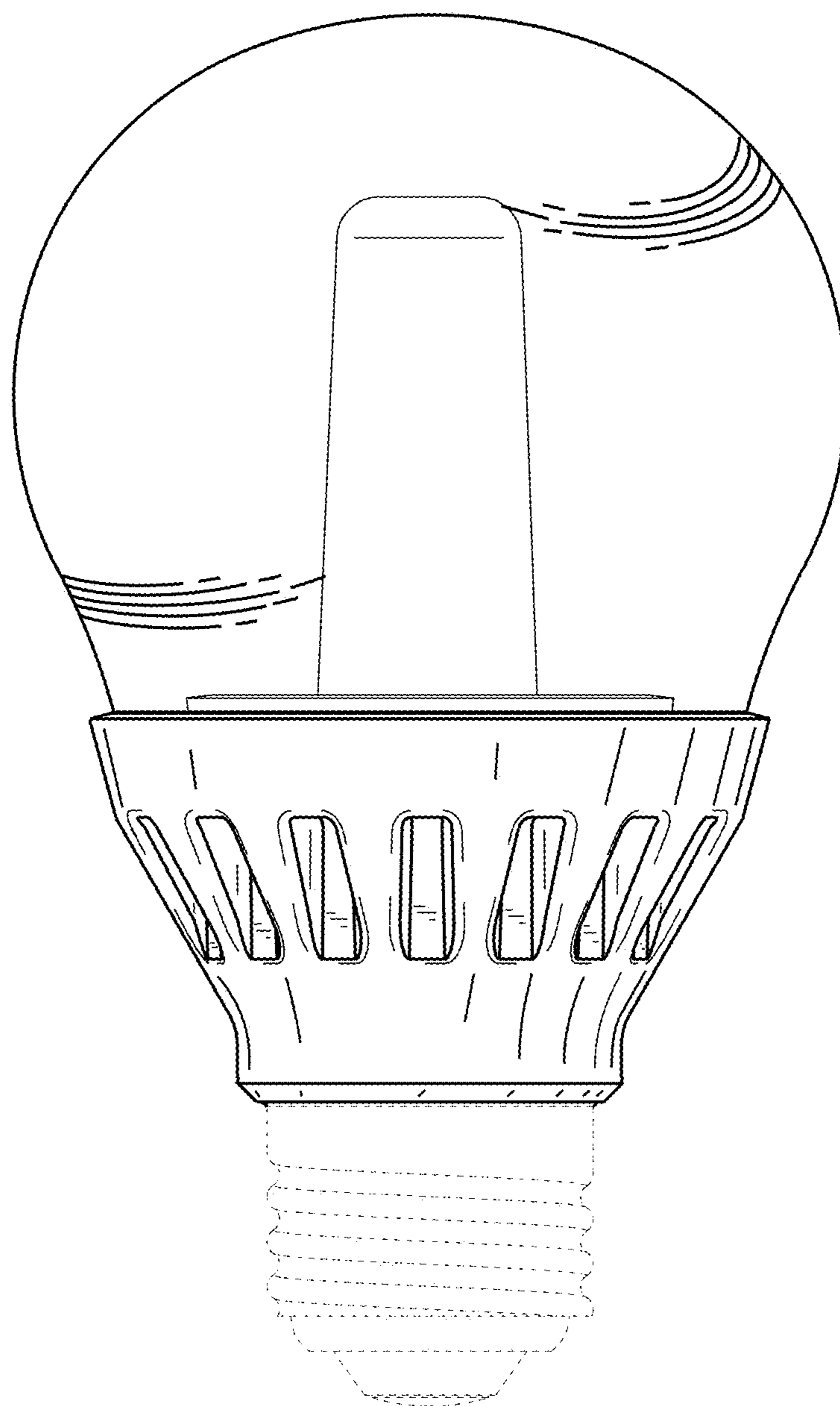


FIG. 2

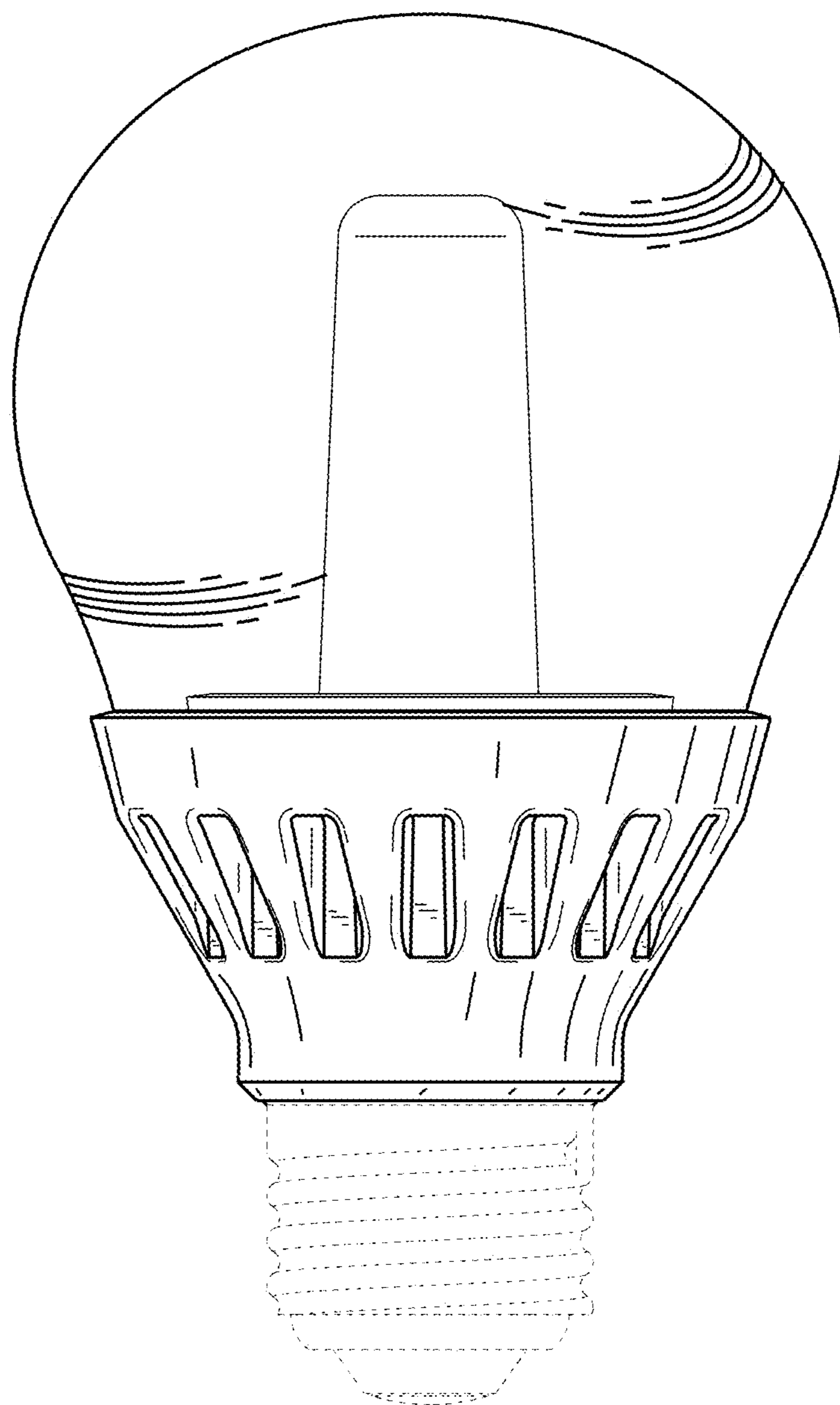


FIG. 3

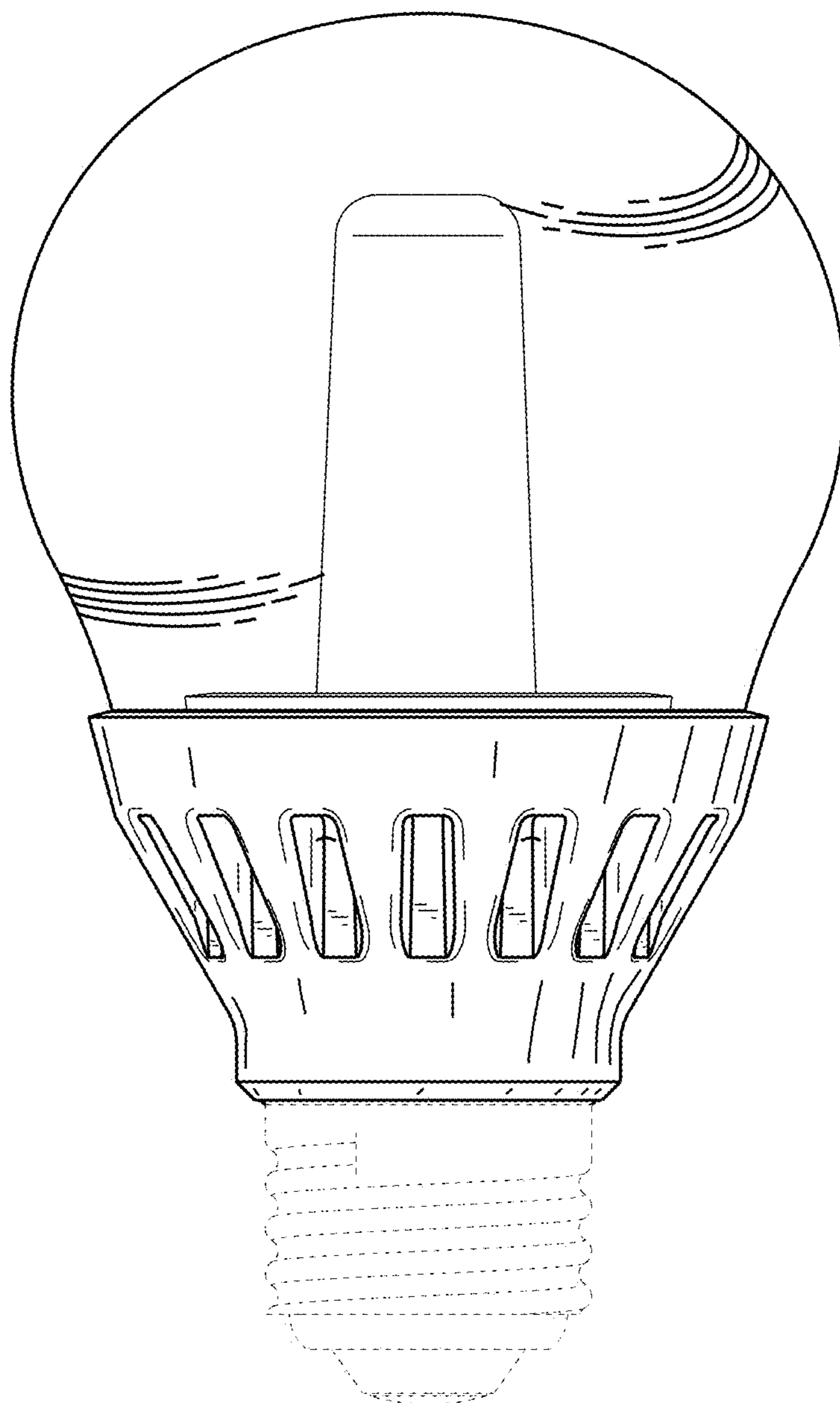


FIG. 4

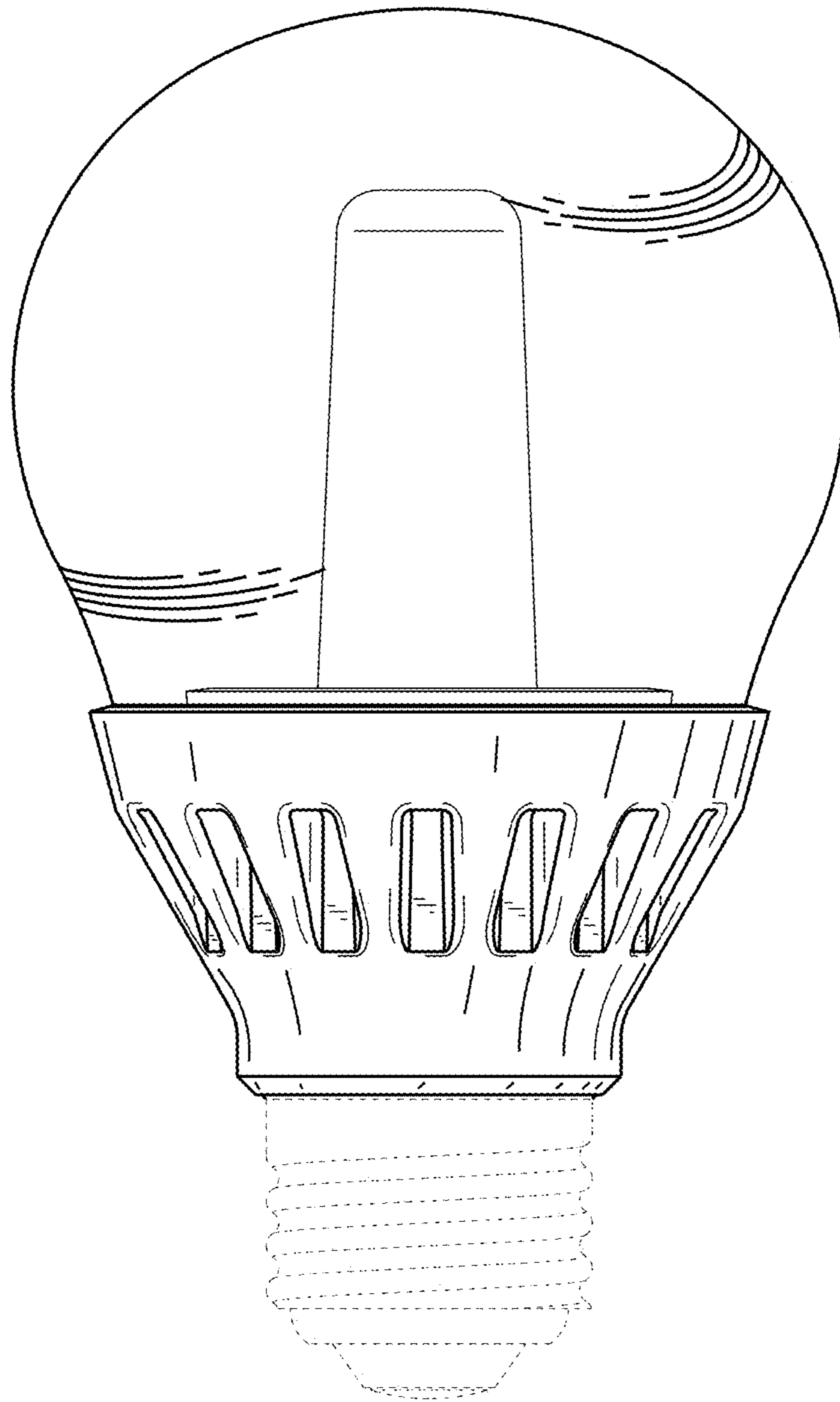


FIG. 5

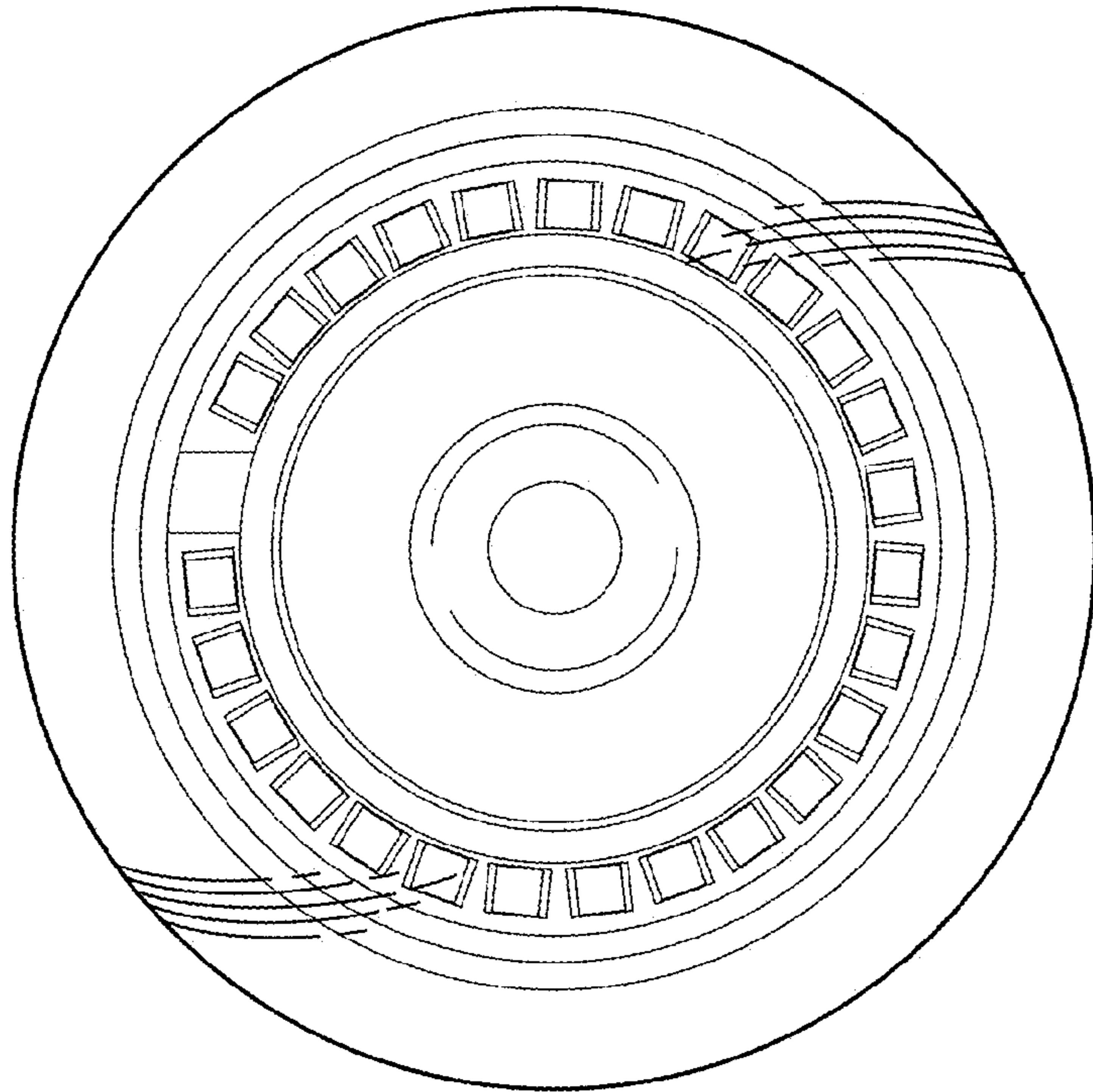


FIG. 6

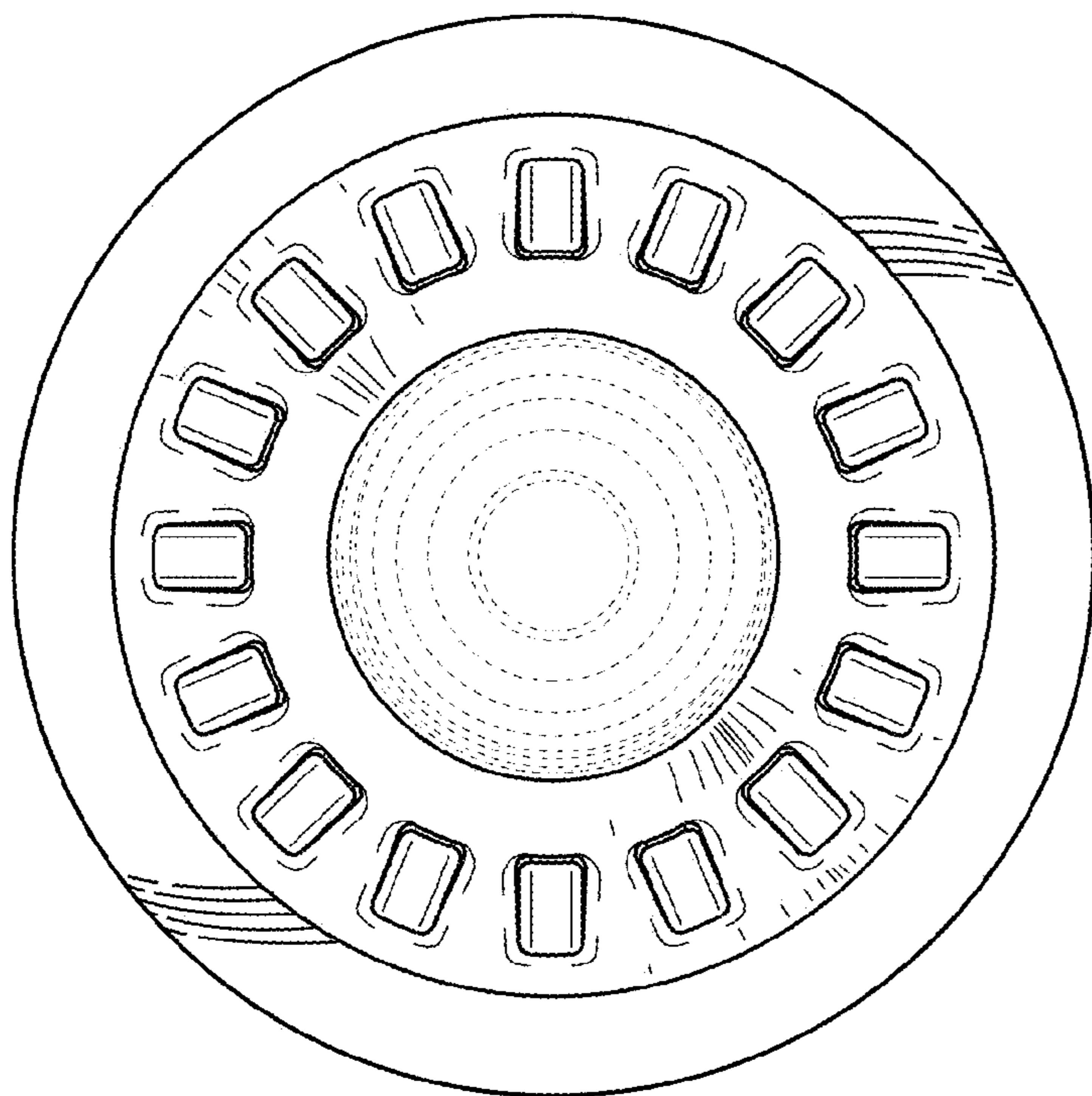


FIG. 7