



US00D735367S

(12) **United States Design Patent**  
**Hu et al.**

(10) **Patent No.:** **US D735,367 S**  
(45) **Date of Patent:** **\*\* Jul. 28, 2015**

(54) **LIGHT-EMITTING DIODE BULB**

FOREIGN PATENT DOCUMENTS

(71) Applicant: **EPISTAR CORPORATION**, Hsinchu (TW)

JP 1404387 12/2010  
JP 1427359 11/2011

(72) Inventors: **Wei-Chiang Hu**, Hsinchu (TW);  
**Chiu-Lin Yao**, Hsinchu (TW); **Been-Yu Liaw**, Hsinchu (TW); **Chang-Ju Ho**, Hsinchu (TW)

OTHER PUBLICATIONS

*4W/5W/7W/9W Epistar LED Bulb Light E27/E26/B22/E17/E14*, [online][retrieved Aug. 1, 2013] Retrieved from: <URL: <http://sell.pakuya.com/product-info/51031/4W-5W-7W-9W-Epistar-LED-Bulb-Light-E27-E26-B22-E17-E14.html>>.

(73) Assignee: **Epistar Corporation**, Hsinchu (TW)

(Continued)

(\*\*) Term: **14 Years**

*Primary Examiner* — Marcus Jackson

(21) Appl. No.: **29/462,780**

(74) *Attorney, Agent, or Firm* — Alston & Bird LLP

(22) Filed: **Aug. 8, 2013**

(30) **Foreign Application Priority Data**

Feb. 8, 2013 (TW) ..... 102301218

(51) **LOC (10) Cl.** ..... **26-04**

(52) **U.S. Cl.**  
USPC ..... **D26/2**

(58) **Field of Classification Search**  
USPC ..... D26/1-4; 313/313, 315, 316, 317, 318, 313/493; 315/52, 53, 56, 57, 58  
See application file for complete search history.

(56) **References Cited**

U.S. PATENT DOCUMENTS

D516,229 S \* 2/2006 Tang ..... D26/2  
D527,119 S \* 8/2006 Maxik et al. .... D26/2  
D528,227 S \* 9/2006 Chou et al. .... D26/2  
D560,286 S \* 1/2008 Maxik et al. .... D26/2  
D566,300 S \* 4/2008 Lo ..... D26/2  
D570,504 S \* 6/2008 Maxik et al. .... D26/2  
D601,279 S \* 9/2009 Ou et al. .... D26/2  
D645,584 S 9/2011 Kim et al.  
D654,192 S 2/2012 Maxik et al.  
D673,699 S 1/2013 Yao et al.

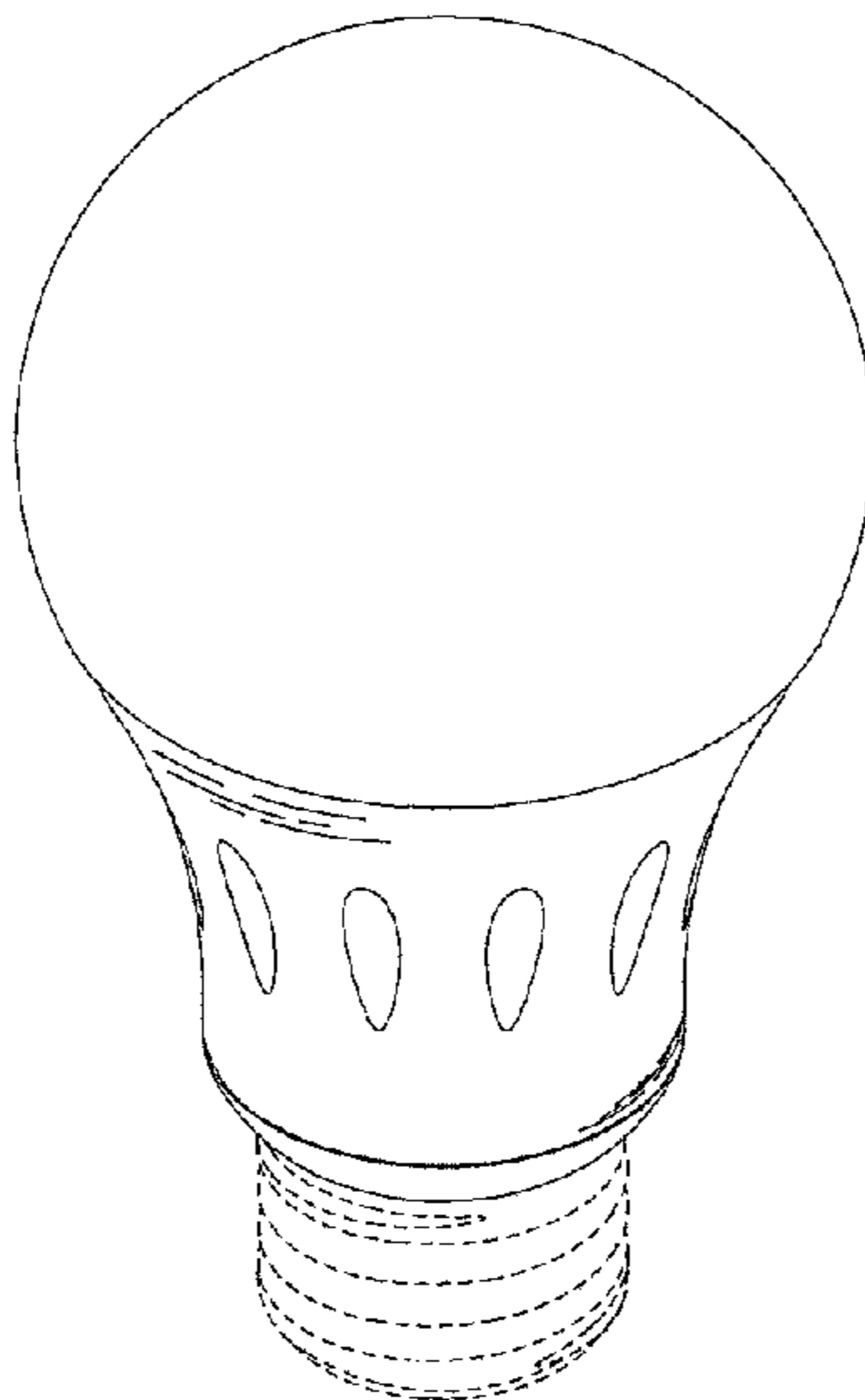
(57) **CLAIM**

We claim the ornamental design for a light-emitting diode bulb, as shown and described.

**DESCRIPTION**

FIG. 1 is a perspective view of a light-emitting diode bulb showing our new design;  
FIG. 2 is another perspective view thereof;  
FIG. 3 is a cross-section perspective view thereof, shown with an upper round portion removed, taken along line 3-3 of FIG. 5;  
FIG. 4 is another cross-section perspective view thereof, shown with an upper round portion removed;  
FIG. 5 is a front elevation view thereof;  
FIG. 6 is a rear elevation view thereof;  
FIG. 7 is a right side elevation view thereof;  
FIG. 8 is a left side elevation view thereof;  
FIG. 9 is a top plan view thereof; and,  
FIG. 10 is a bottom plan view thereof.  
The broken lines are directed to unclaimed features. The broken lines form no part of the claimed design.

**1 Claim, 9 Drawing Sheets**



(56)

**References Cited**

## OTHER PUBLICATIONS

*B22 LED Lamp Bulb 7W 700lm*, [online][retrieved Aug. 1, 2013] Retrieved from: <URL: <http://www.sunbayled.lightstrade.com/view/139859/B22-LED-Lamp-Bulb-7W-700lm.html>>.

*E27 5W LRF Bulbs 240V 3 Years Warranty*, [online][retrieved Aug. 1, 2013] Retrieved from: <URL: <http://sunbayled.en.made-in-china.com/product/rbvJUHRyAZVq/China-E27-5W-LED-Bulbs-240V-3-Years-Warranty.html>>.

*E27 3W Epistar LED Ceramic Bulb*, [online][retrieved Aug. 1, 2013] Retrieved from: <URL: <http://taizhuo.manufacturer.globalsources.com/si/6008836986391/pdtl/LED-globe/1063503758/E27-3W-Epistar-LED-Ceramic-Bulb.htm>>.

*E27 Epistar LED Bulb Light Lamp 3W(AC85-265V)* [online][retrieved Aug. 1, 2013] Retrieved from: <URL: [http://www.wayjun.com/index.php?main\\_page=product\\_info&cPath=198\\_199&products\\_id=885](http://www.wayjun.com/index.php?main_page=product_info&cPath=198_199&products_id=885)>.

*E27 Epistar 7W LED Bulb Light (HS-B7W01)*, [online][retrieved Aug. 1, 2013] Retrieved from: [http://www.hsledlighting.com/products\\_info/E27-Epistar-7W-LED-Bulb-Light-HS-B7W01---191802.html](http://www.hsledlighting.com/products_info/E27-Epistar-7W-LED-Bulb-Light-HS-B7W01---191802.html).

*SMD 9W LED Bulb Epistar Chip/E27/E26/CE/TUV*, [online][retrieved Aug. 1, 2013] Retrieved from: <URL: [http://](http://sllloop.en.made-in-china.com/product/RScmGbVoOfkt/China-SMD-9W-LED-Bulb-Epistar-Chip-E27-E26-CE-TUV.html)

[sllloop.en.made-in-china.com/product/RScmGbVoOfkt/China-SMD-9W-LED-Bulb-Epistar-Chip-E27-E26-CE-TUV.html](http://sllloop.en.made-in-china.com/product/RScmGbVoOfkt/China-SMD-9W-LED-Bulb-Epistar-Chip-E27-E26-CE-TUV.html)>.  
*Wholesale—1x3 RGB Bulb Epistar(Tawian)LED 3-4W LED Lamps 85-265V LED Bulb LED Light Bulb 30PCS*, [online][retrieved Sep. 13, 2013] Retrieved from: <URL: <http://www.dhgate.com/product/getProductImages.do?act=getProductImages&itemcode=135738297&pid=ff808081366bccce01368fbffae1038>>.

*Wholesale 2W G45 LED Decorative Bulbs 2W LED Ball Light, 28 LEDs, Epistar Chip, 3 Years Warranty CE Rohs*, [online][retrieved Aug. 1, 2013] Retrieved from: <URL: [http://www.aliexpress.com/store/product/wholesale-2w-G45-led-deocrative-bulbs-2w-led-ball-light-28LEDs-Epistar-chip-3years-warranty-CE/804465\\_544126197.html](http://www.aliexpress.com/store/product/wholesale-2w-G45-led-deocrative-bulbs-2w-led-ball-light-28LEDs-Epistar-chip-3years-warranty-CE/804465_544126197.html)>.

Untitled [online][retrieved Aug. 1, 2013] Retrieved from: <URL: [http://sell.pakuya.com/upload/20110927/4W\\_5W\\_7w\\_9w\\_Epistar\\_LED\\_Bulb.jpg](http://sell.pakuya.com/upload/20110927/4W_5W_7w_9w_Epistar_LED_Bulb.jpg)>.

Untitled [online][retrieved Aug. 1, 2013] Retrieved from: <URL: <http://www.wayjun.com/images/Led/LED-CQB3W-D03.jpg>>.

Untitled [online][retrieved Aug. 1, 2013] Retrieved from: <URL: [http://www.hsledlighting.com/uploadfile/h4/huasheng2794/product/led-bulb-light/E27-Epistar-7W-LED-Bulb-Light\(HS-B7W01\)-1345710551-0.jpg](http://www.hsledlighting.com/uploadfile/h4/huasheng2794/product/led-bulb-light/E27-Epistar-7W-LED-Bulb-Light(HS-B7W01)-1345710551-0.jpg)>.

\* cited by examiner

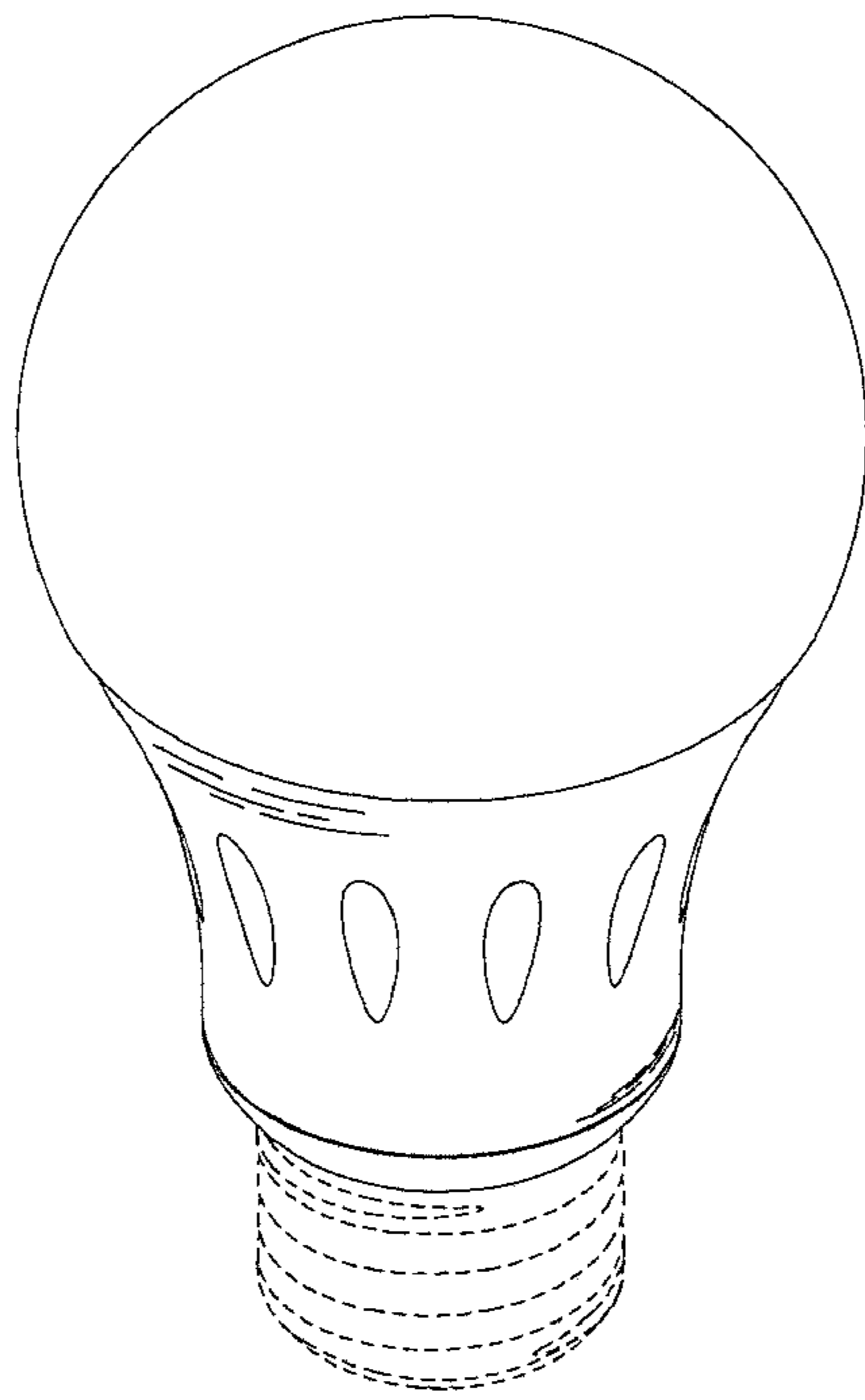


FIG.1

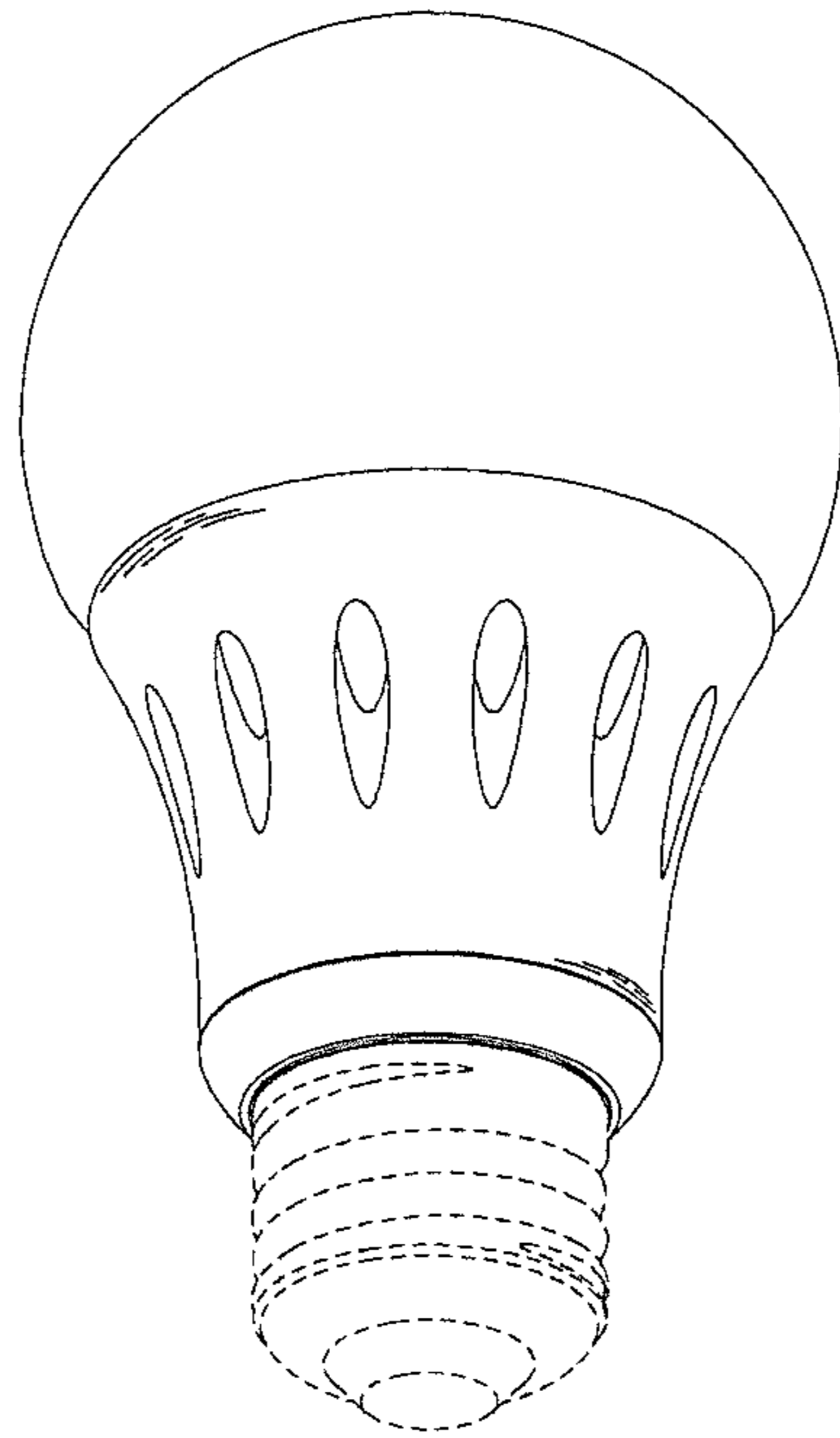


FIG.2

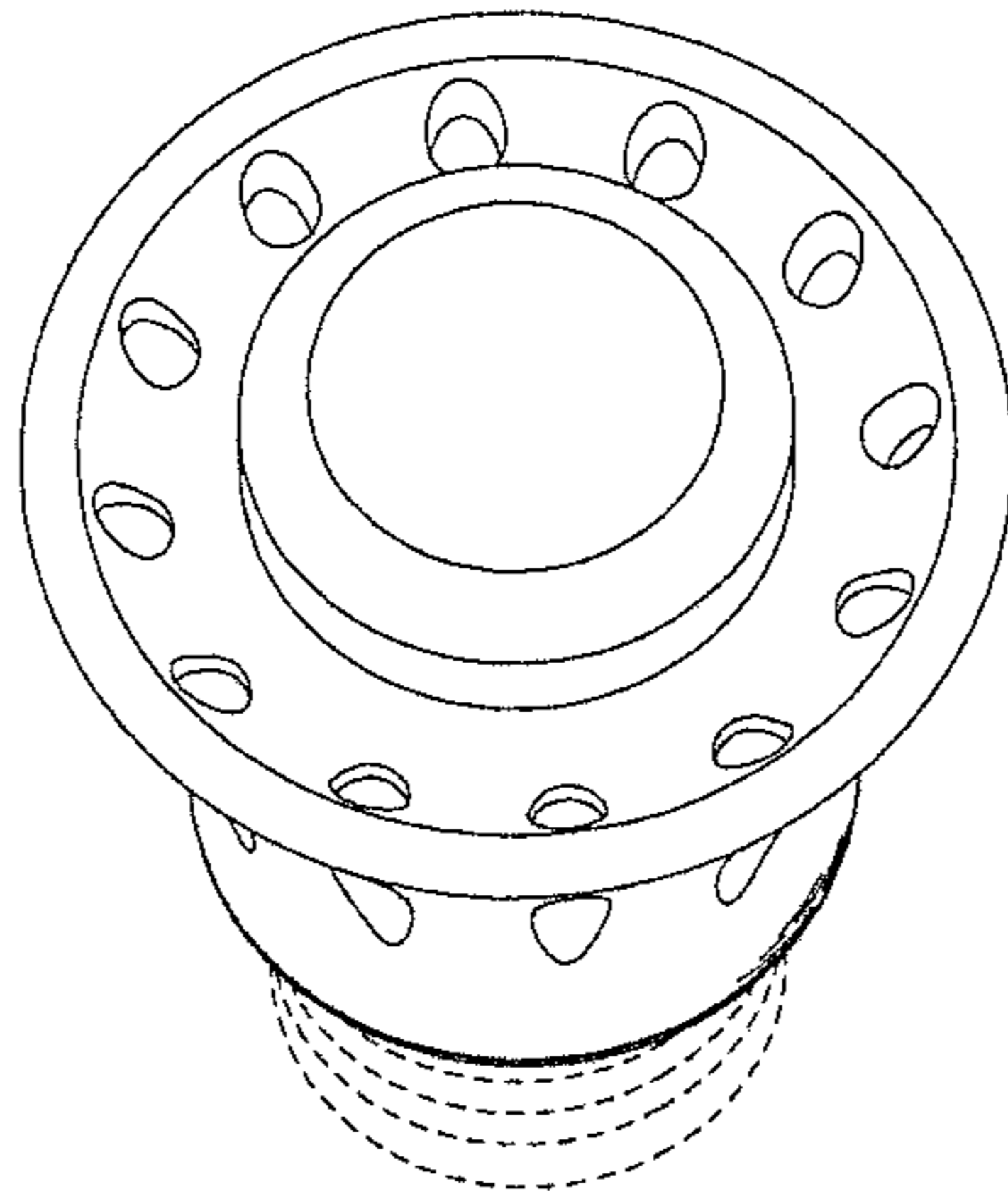


FIG.3

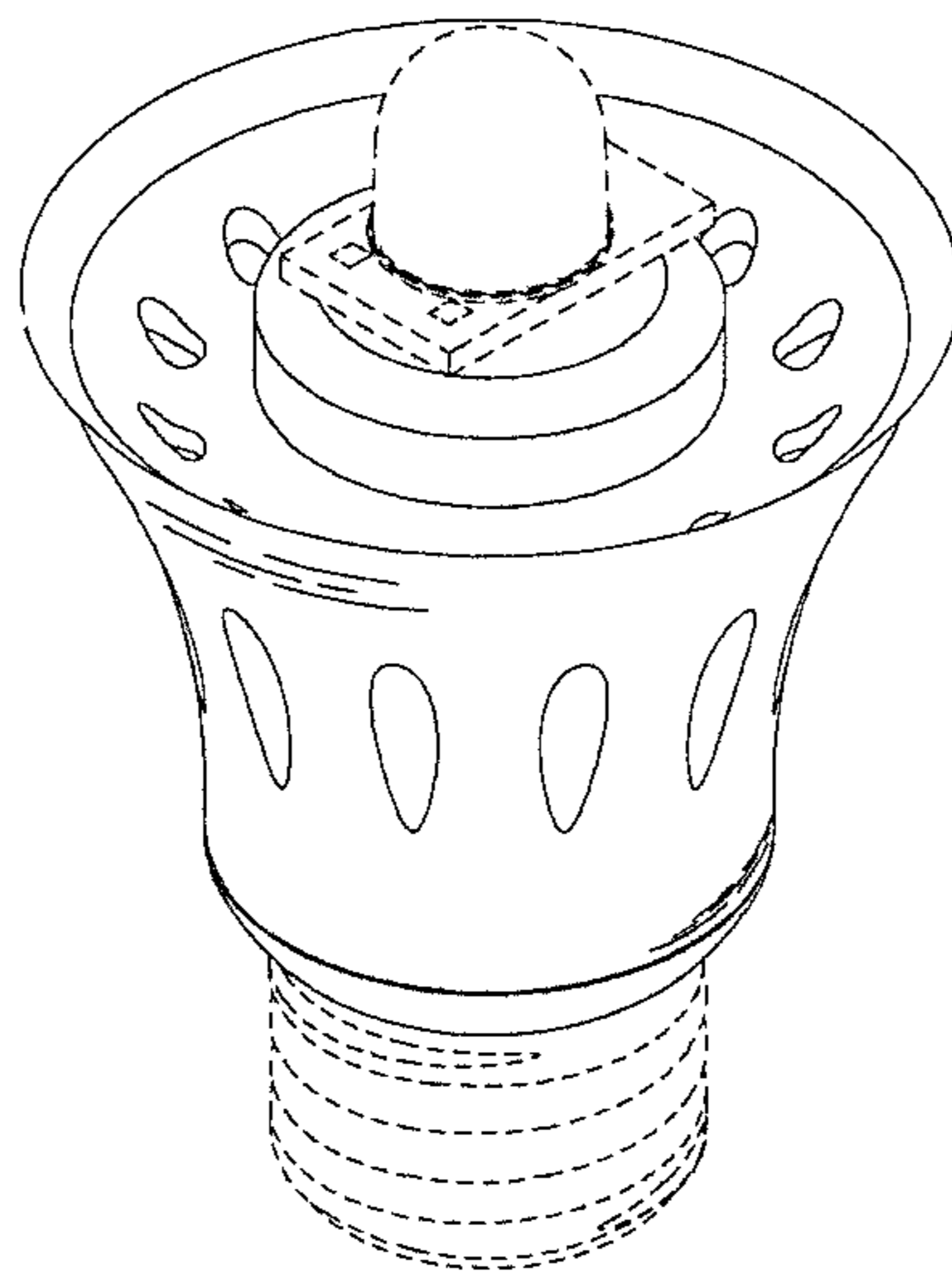


FIG. 4

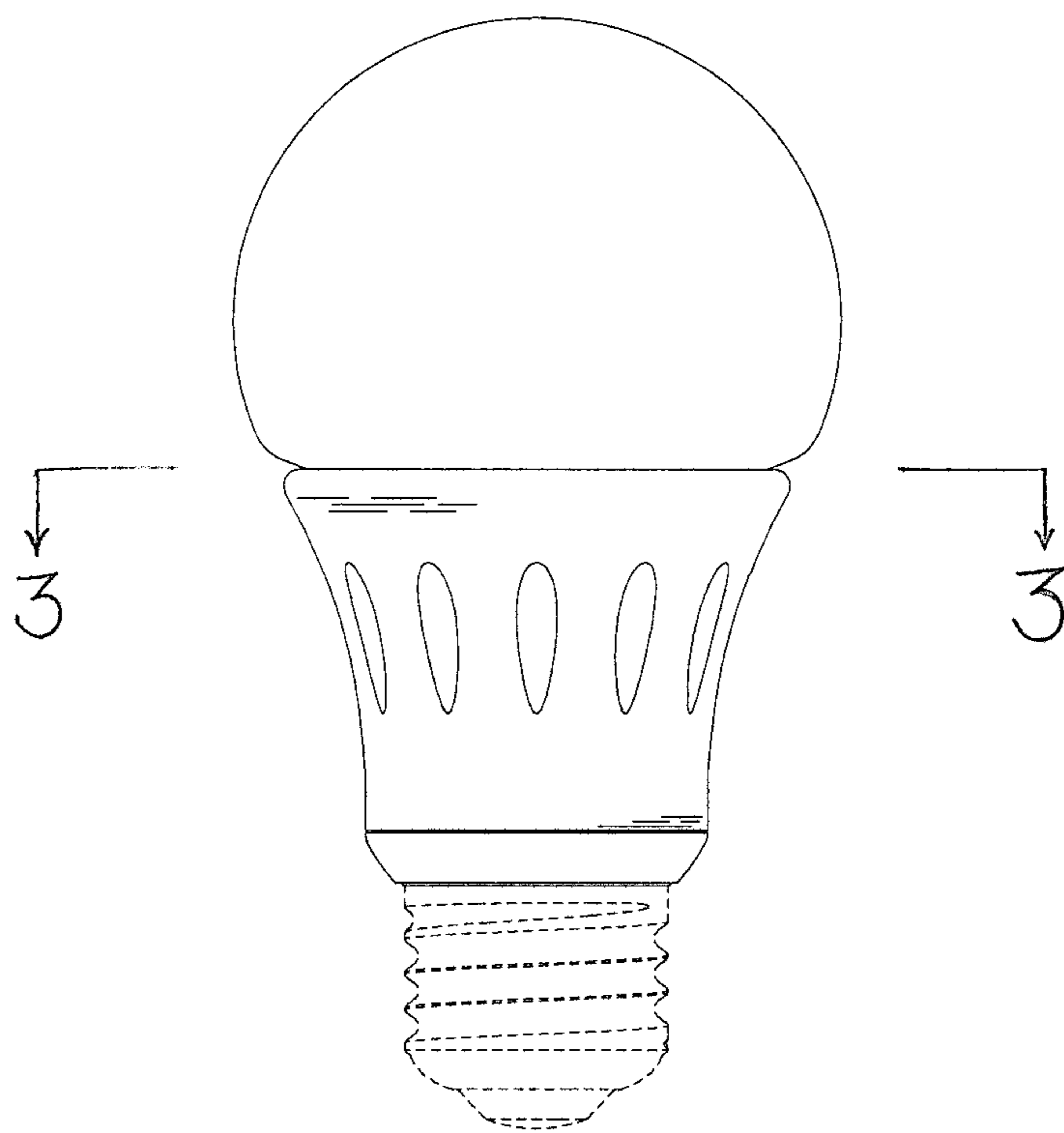


FIG. 5

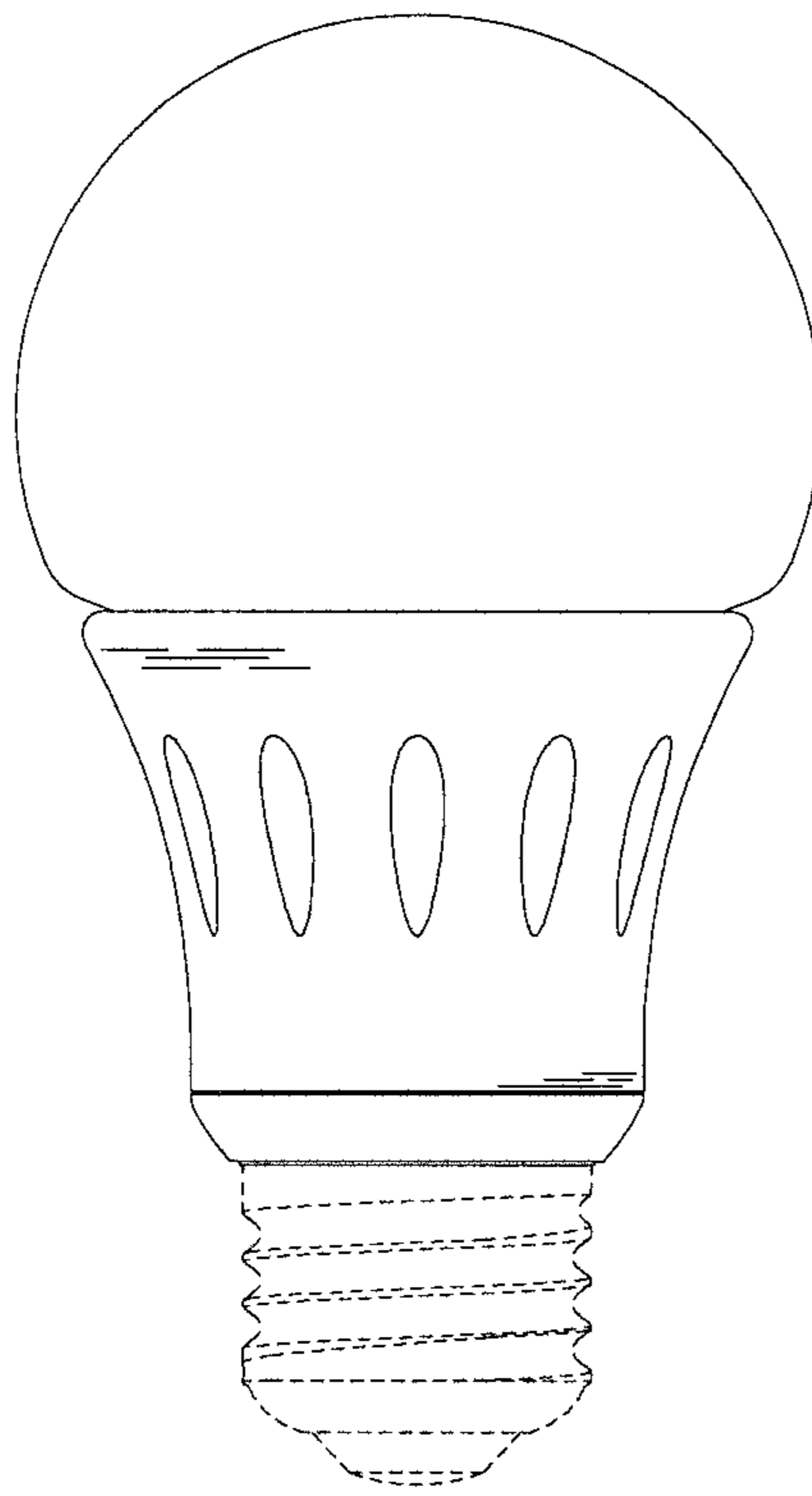


FIG.6



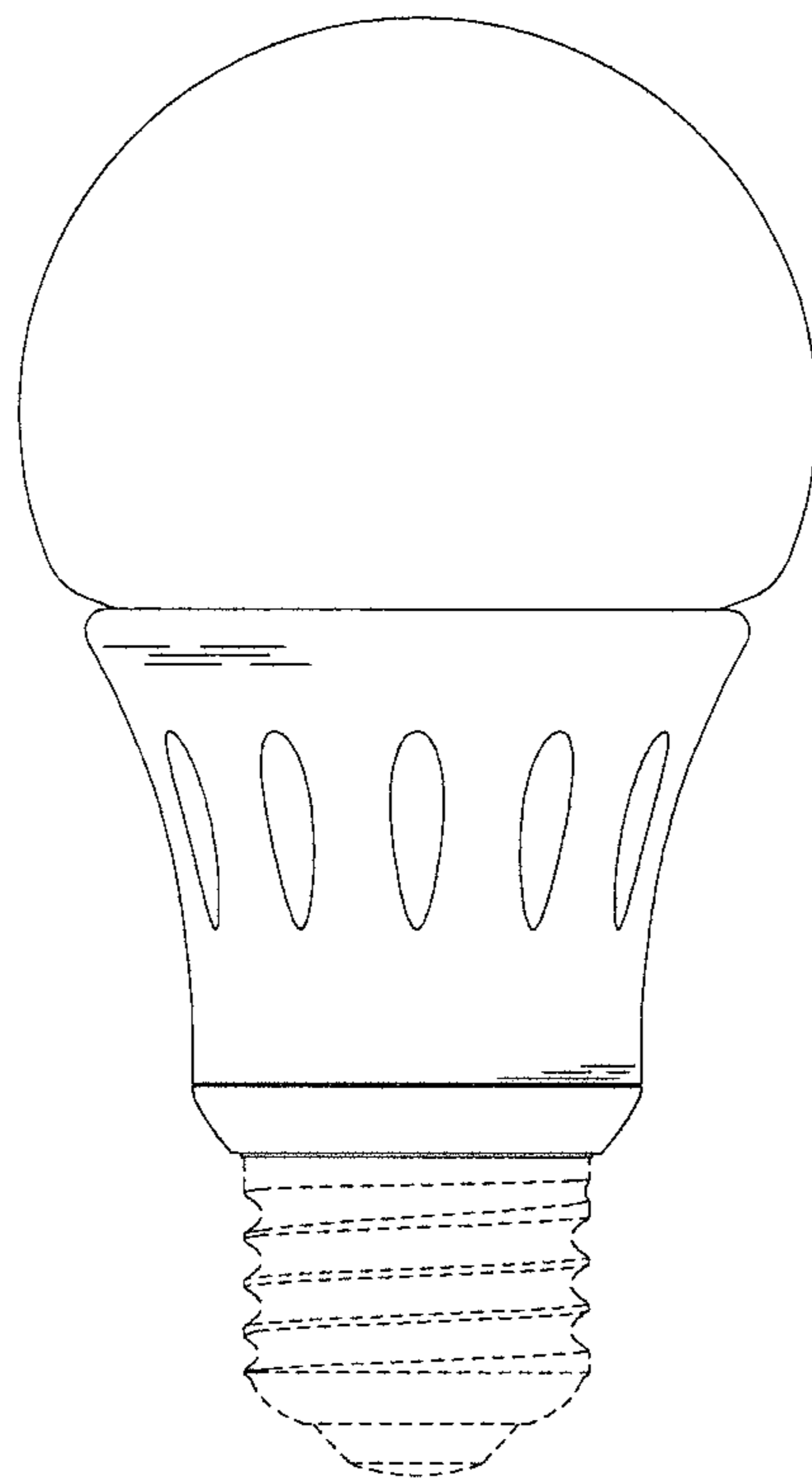


FIG.7

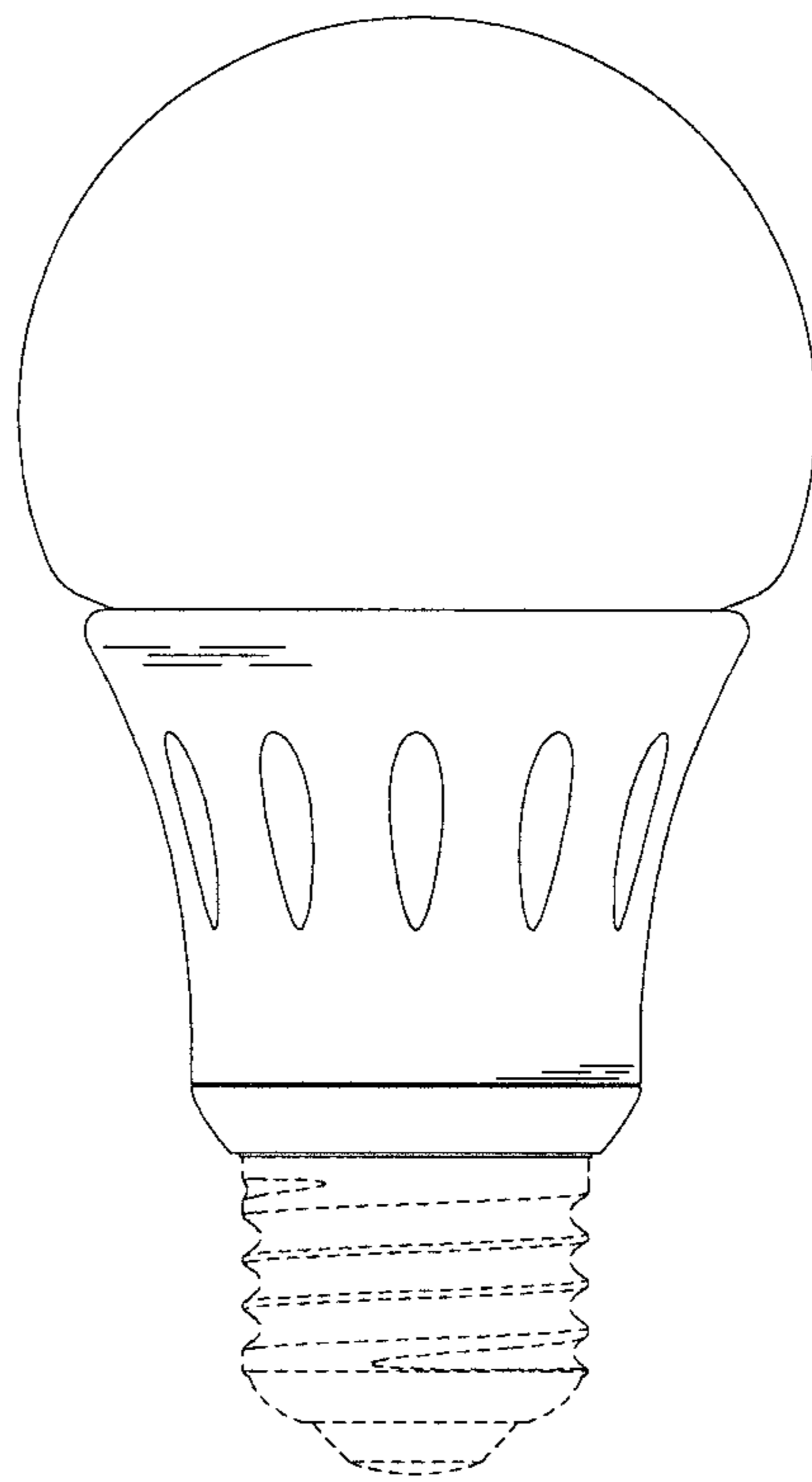


FIG.8

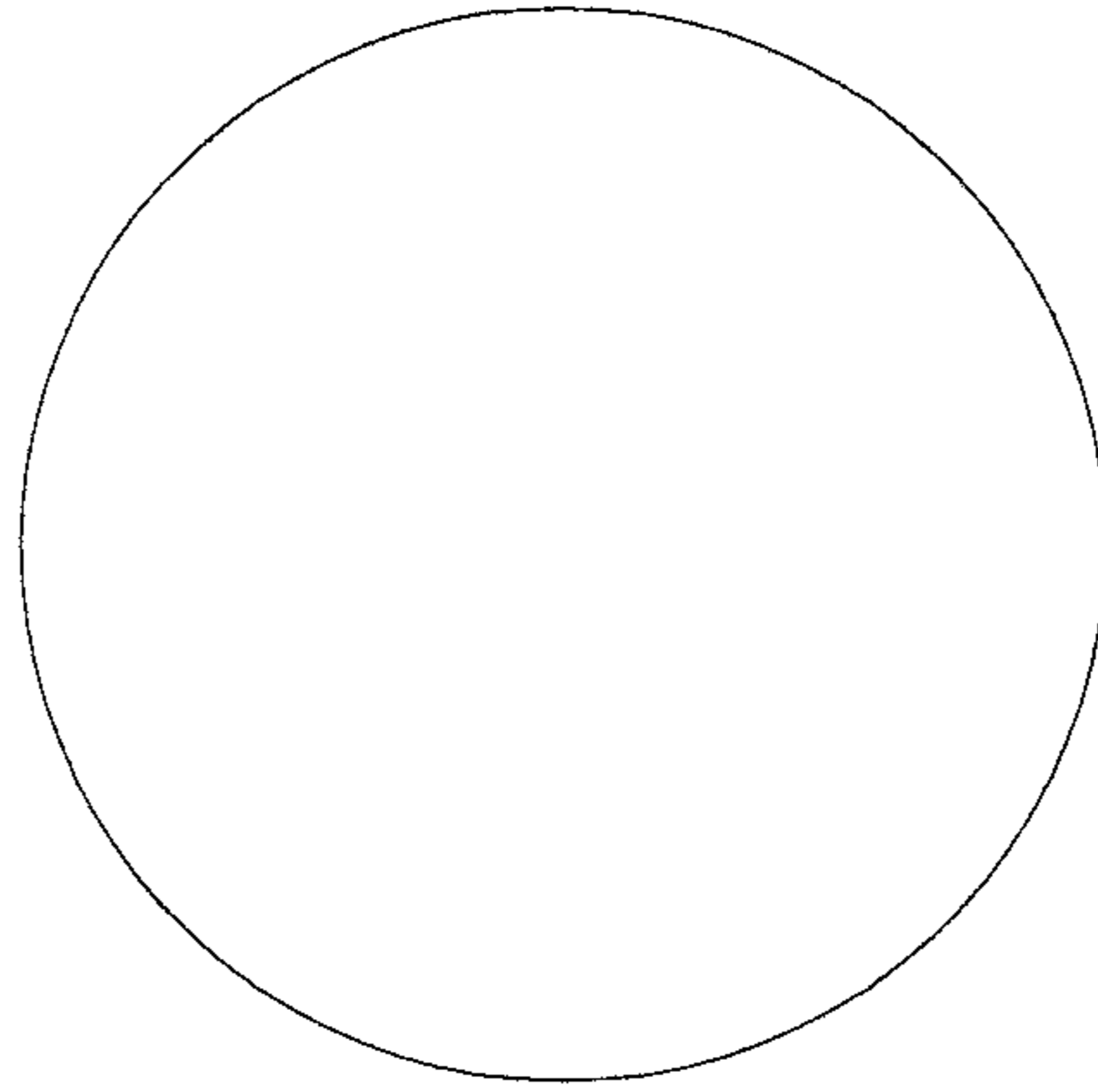


FIG. 9

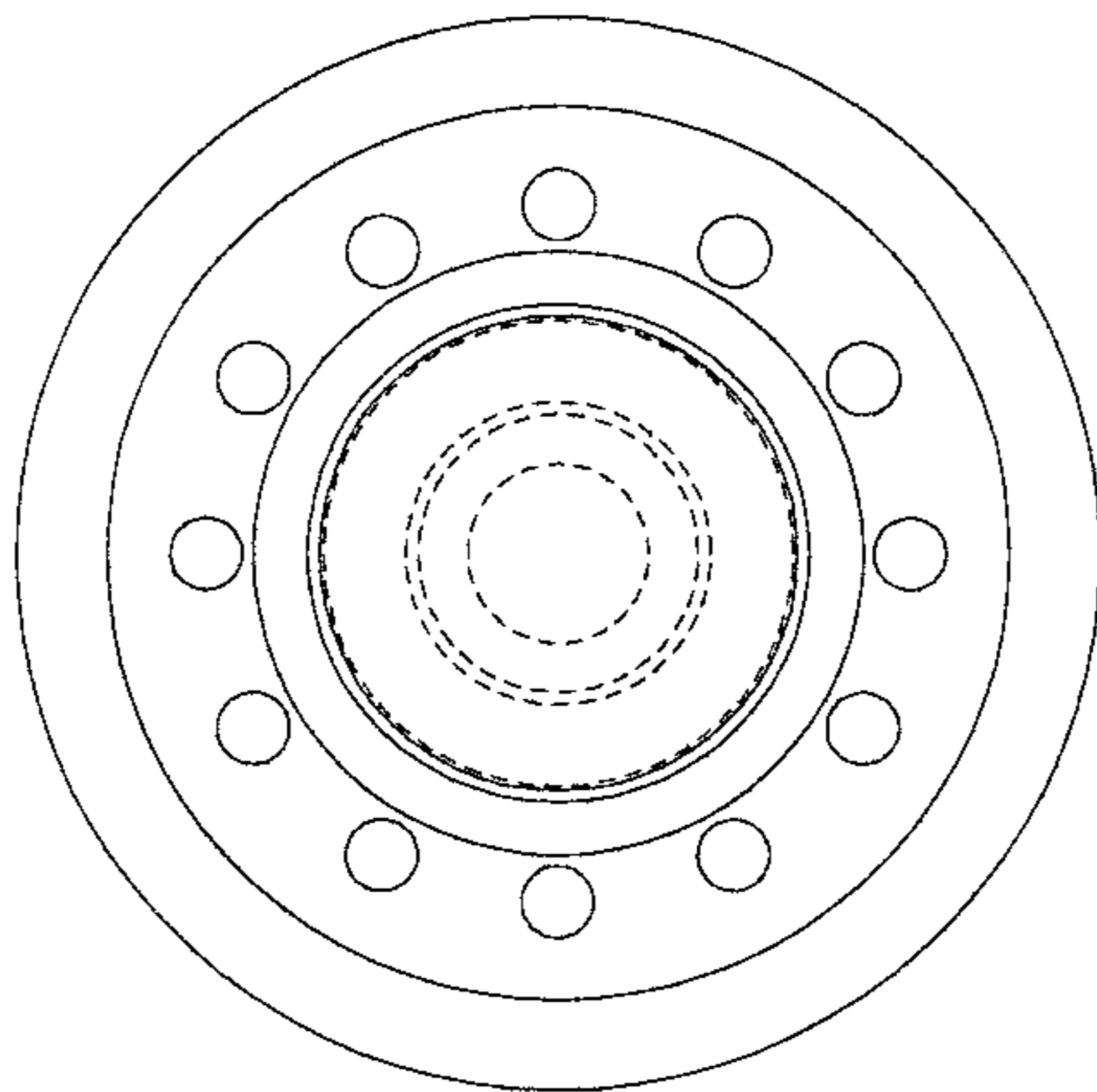


FIG. 10