



US00D735366S

(12) **United States Design Patent**
Mide et al.

(10) **Patent No.:** **US D735,366 S**

(45) **Date of Patent:** **** *Jul. 28, 2015**

(54) **TELESCOPIC CANNING SLEEVE SET FOR FORMING VOIDS IN CONCRETE SLAB**

(71) Applicant: **Kanex Patents Ltd.**, Coquitlam (CA)
(72) Inventors: **Carsten Mide**, Coquitlam (CA); **Robert Rummelhoff**, Coquitlam (CA)

(73) Assignee: **Kanex Patents Ltd.**, Coquitlam, British Columbia (CA)

(*) Notice: This patent is subject to a terminal disclaimer.

(**) Term: **14 Years**

(21) Appl. No.: **29/436,513**

(22) Filed: **Nov. 6, 2012**

(51) **LOC (10) Cl.** **25-01**

(52) **U.S. Cl.**
USPC **D25/199**

(58) **Field of Classification Search**
USPC D25/126, 199; 52/834, 843, 835, 405.2, 52/405.3, 406.3, 577; 405/257; 249/37, 249/63, 67, 187.1, 188, 175, 13, 18, 19, 22, 249/48, 142

See application file for complete search history.

(56) **References Cited**

U.S. PATENT DOCUMENTS

2,796,652 A *	6/1957	Walters	249/13
3,682,434 A *	8/1972	Boenig	249/48
D686,759 S *	7/2013	Lawrence	D25/199
2010/0258980 A1 *	10/2010	Fore, III	264/299

* cited by examiner

Primary Examiner — Doris Clark

(74) *Attorney, Agent, or Firm* — Gowling Lafleur Henderson LLP

(57) **CLAIM**

The ornamental design for a telescopic canning sleeve set for forming voids in concrete slabs, as shown and described.

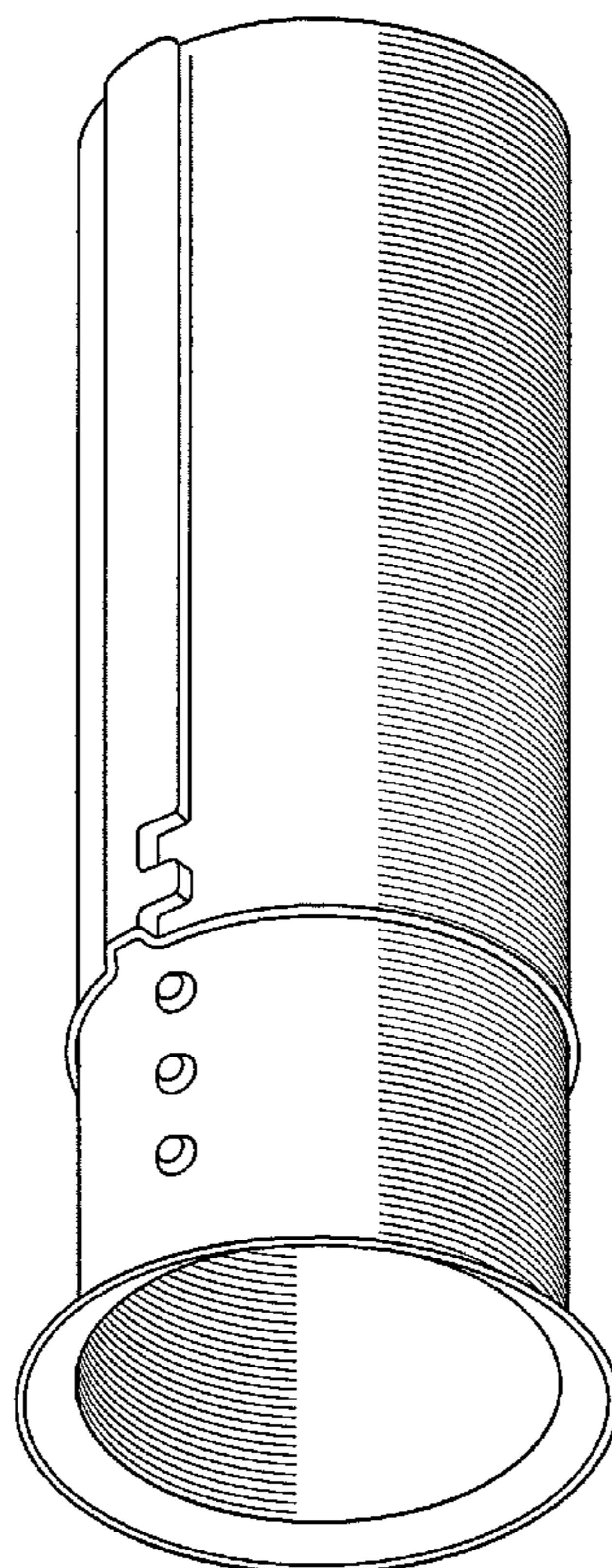
DESCRIPTION

FIG. 1 is a perspective view of the separated components of the telescopic canning sleeve set for forming voids in concrete slabs.

FIG. 2 is a front view showing the separated components of the telescopic canning sleeve set for forming voids in concrete slabs; and,

FIG. 3 is a side view showing the components of the telescopic canning sleeve set, for forming voids in concrete slabs engaged together.

1 Claim, 3 Drawing Sheets



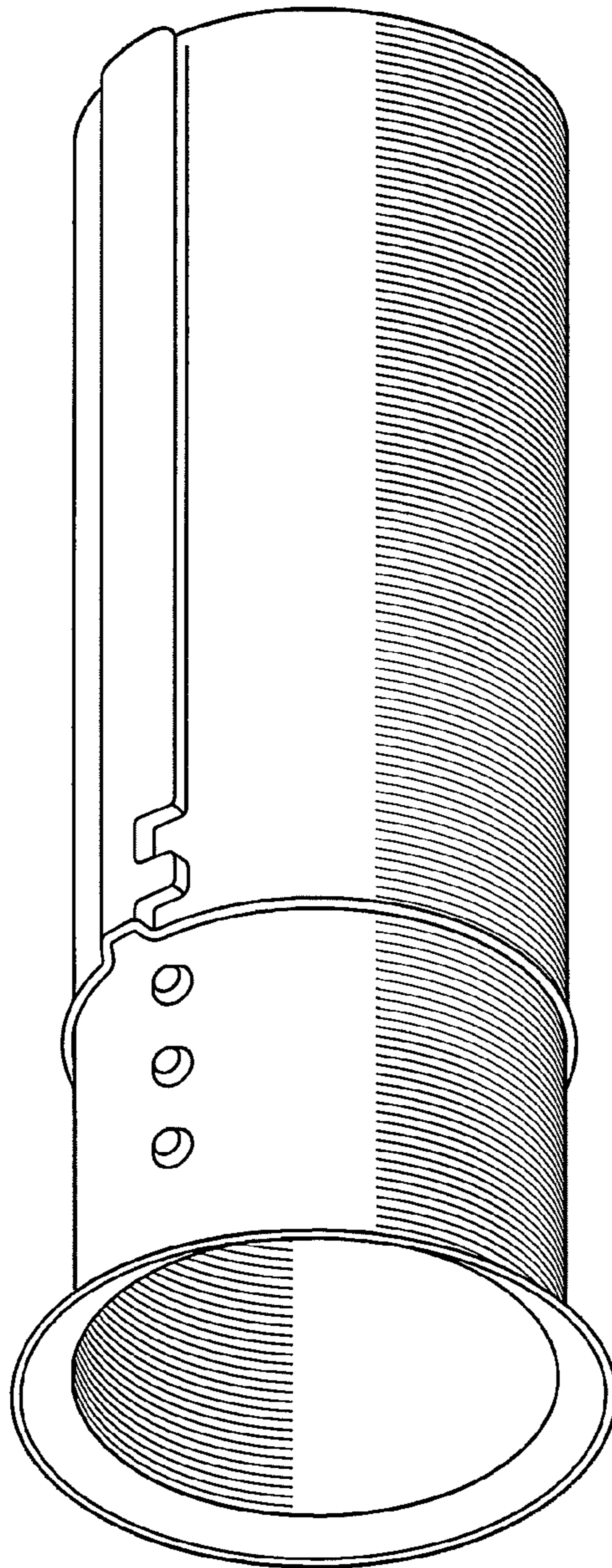


FIG. 1

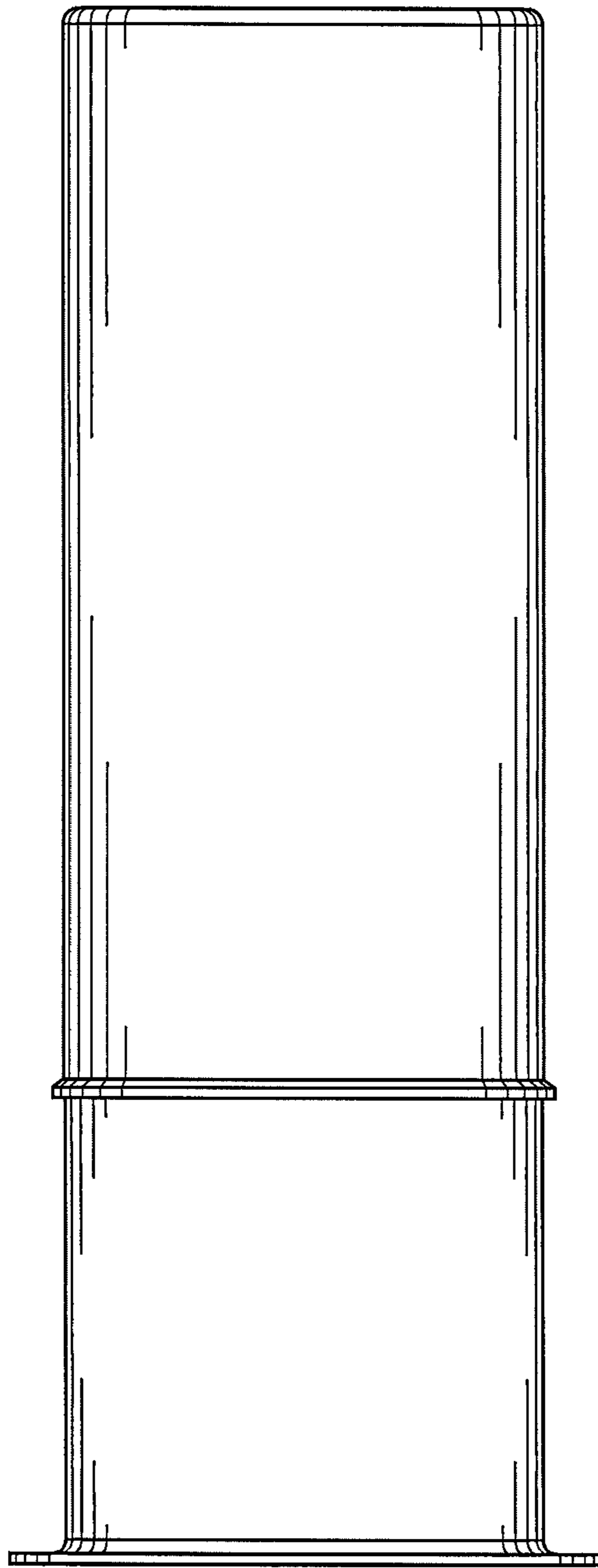


FIG. 2

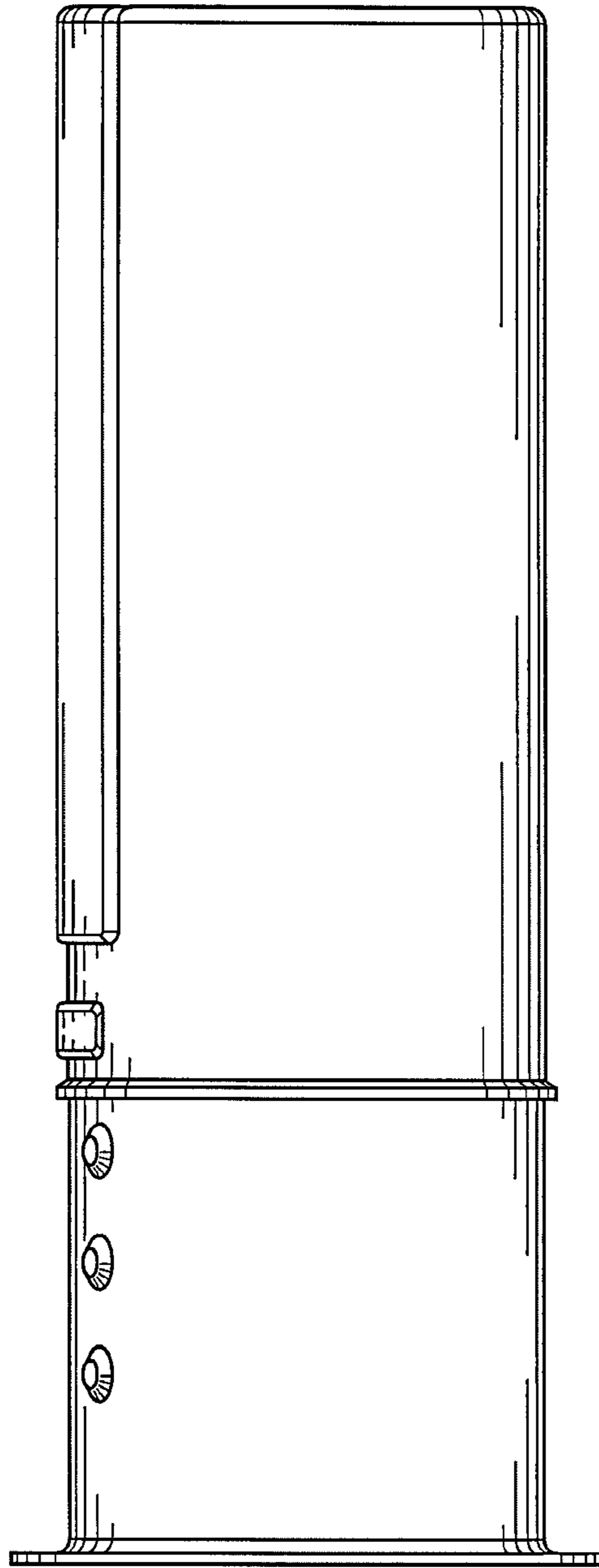


FIG. 3