



US00D735363S

(12) **United States Design Patent**  
**Møller et al.**

(10) **Patent No.:** **US D735,363 S**  
(45) **Date of Patent:** **\*\* Jul. 28, 2015**

(54) **ACCESSORY ELEMENT FOR WINDOW SYSTEM**

(71) Applicant: **VKR Holding A/S**, Hørsholm (DK)

(72) Inventors: **Brent Møller**, Gentofte (DK); **Claes Lindgren**, Farum (DK)

(73) Assignee: **VKR Holding A/S** (DK)

(\*\*) Term: **14 Years**

(21) Appl. No.: **29/499,767**

(22) Filed: **Aug. 19, 2014**

**Related U.S. Application Data**

(62) Division of application No. 29/440,683, filed on Dec. 26, 2012, now Pat. No. Des. 714,470.

(51) **LOC (10) Cl.** ..... **25-01**

(52) **U.S. Cl.**  
USPC ..... **D25/136**

(58) **Field of Classification Search**  
USPC ..... D25/133, 134, 126, 136, 135; 52/200,  
52/60, 235, 489.1, 718.04, 800.15, 800.17,  
52/469

See application file for complete search history.

(56) **References Cited**

U.S. PATENT DOCUMENTS

2,865,312	A *	12/1958	Cookson	.....	52/520
4,546,586	A *	10/1985	Knudson	.....	52/469
4,569,175	A *	2/1986	Abciuk	.....	52/506.07
D659,264	S *	5/2012	Wennerholm	.....	D25/136
2005/0095060	A1 *	5/2005	Buttau et al.	.....	403/252

\* cited by examiner

*Primary Examiner* — Doris Clark

(74) *Attorney, Agent, or Firm* — Merek, Blackmon & Voorhees, LLC

(57) **CLAIM**

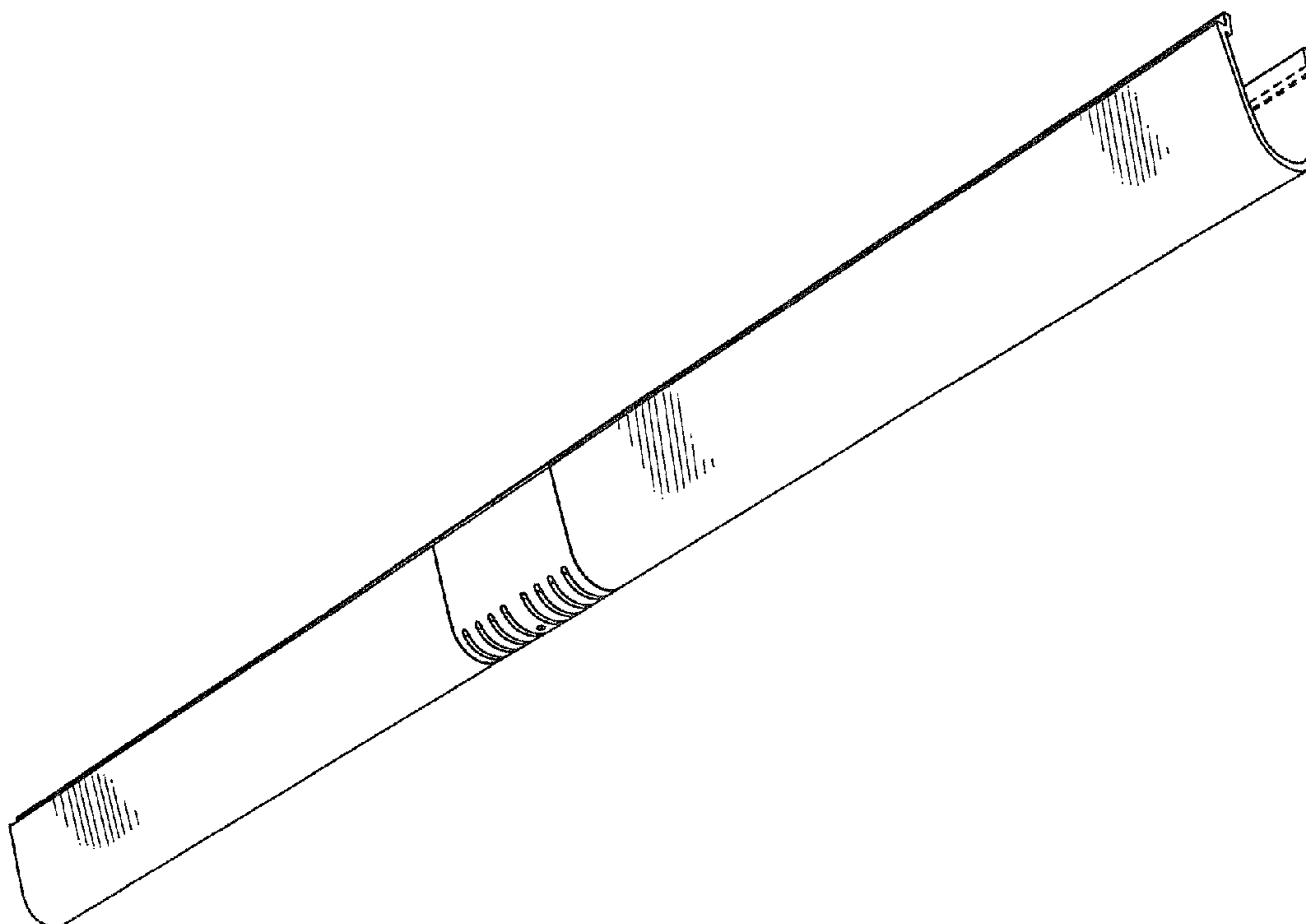
The ornamental design for an accessory element for window system, as shown and described.

**DESCRIPTION**

FIG. 1 is a perspective view taken from the front, bottom and right side of an accessory element for window system; FIG. 2 is a perspective view taken from the front, top and right side of the accessory element for window system of FIG. 1; and, FIG. 3 is a bottom plan view of the accessory element for window system of FIG. 1. The left side of the accessory element for window system of FIG. 1 is a mirror image of the right side, and the rear of the accessory element for window system of FIG. 1 is a mirror image of the front.

The broken lines of the drawings disclose environmental structure that forms no part of the claimed design.

**1 Claim, 2 Drawing Sheets**



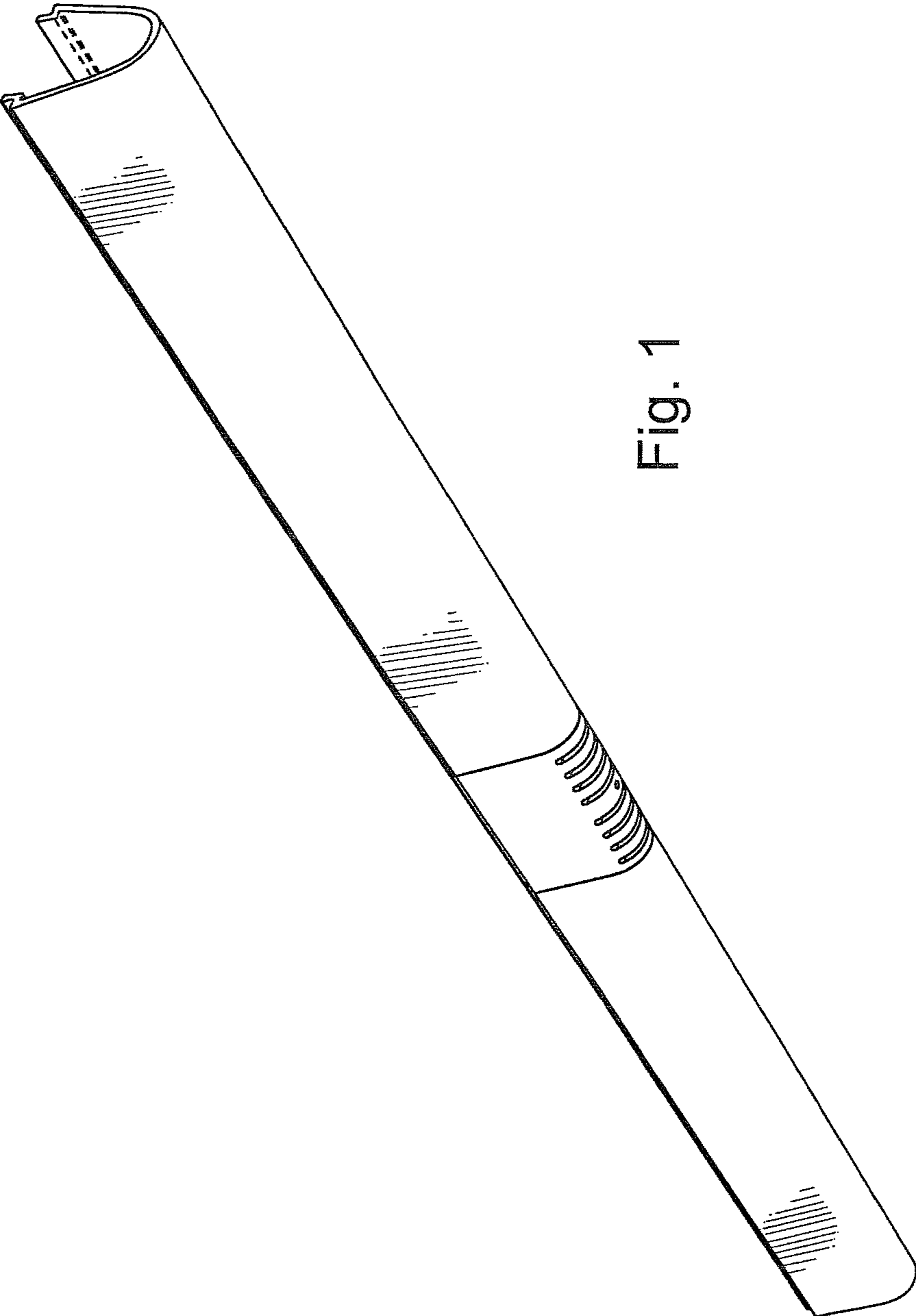


Fig. 1

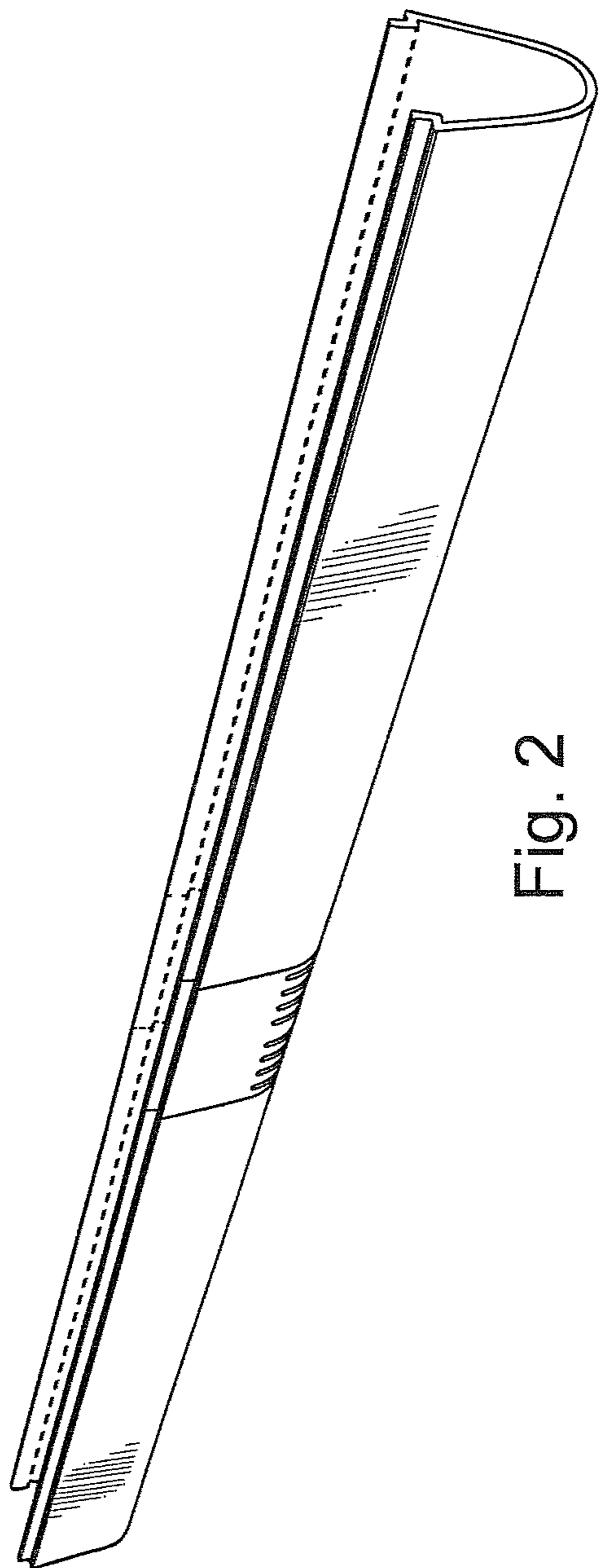


Fig. 2

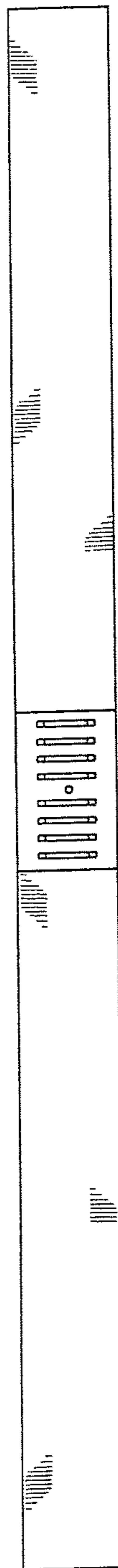


Fig. 3