



US00D735362S

(12) **United States Design Patent**  
**Kurtz**

(10) **Patent No.:** **US D735,362 S**  
(45) **Date of Patent:** **\*\* Jul. 28, 2015**

(54) **3-SIDED BOX NEWEL**

FOREIGN PATENT DOCUMENTS

(71) Applicant: **L.J. Smith, Inc.**, Bowerston, OH (US)

EP 1951969 1/2010

(72) Inventor: **Craig Allen Kurtz**, Canton, OH (US)

\* cited by examiner

(73) Assignee: **L. J. Smith, Inc.**, Bowerston, OH (US)

*Primary Examiner* — Doris Clark

(74) *Attorney, Agent, or Firm* — Sand & Sebolt

(\*\*) Term: **14 Years**

(21) Appl. No.: **29/470,488**

(57) **CLAIM**

The ornamental design for a 3-sided box newel, as shown and described.

(22) Filed: **Oct. 22, 2013**

(51) **LOC (10) Cl.** ..... **25-01**

(52) **U.S. Cl.**

USPC ..... **D25/126**

(58) **Field of Classification Search**

USPC ..... D25/126; 52/832, 839, 843, FOR. 100,  
52/FOR. 104

See application file for complete search history.

**DESCRIPTION**

FIG. 1 is a front perspective view of the 3-sided box newel in accordance with the present design;

FIG. 2 is a rear perspective view, depicting the interior cavity, thereof;

FIG. 3 is a front elevational view, thereof;

FIG. 4 is a rear elevational view, thereof;

FIG. 5 is a top view, thereof;

FIG. 6 is a bottom view, thereof;

FIG. 7 is a right side view, thereof;

FIG. 8 is a left side view, thereof; and,

FIG. 9 is a cross-sectional view taken along line 9-9 in FIG. 4.

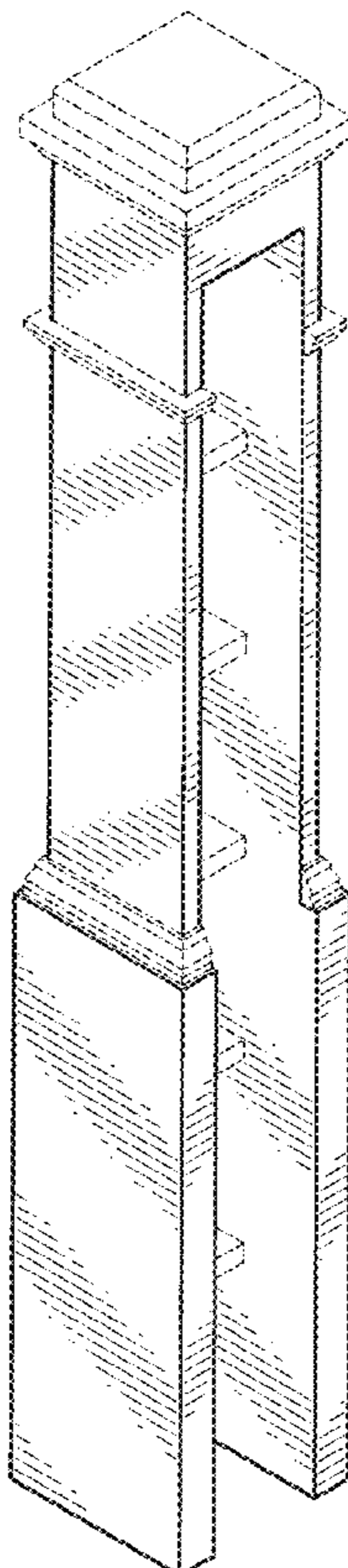
The broken lines illustrate portions of the 3-sided box newel which form no part of the claimed design.

(56) **References Cited**

U.S. PATENT DOCUMENTS

1,409,155	A	3/1922	Covan	
4,367,864	A	1/1983	Eldeen	
6,061,991	A *	5/2000	Dahl	52/832
6,290,212	B1	9/2001	Bartel	
D465,584	S *	11/2002	Green	D25/126
6,568,145	B2	5/2003	Bartel	
D510,447	S *	10/2005	Sayer et al.	D25/126

**1 Claim, 4 Drawing Sheets**



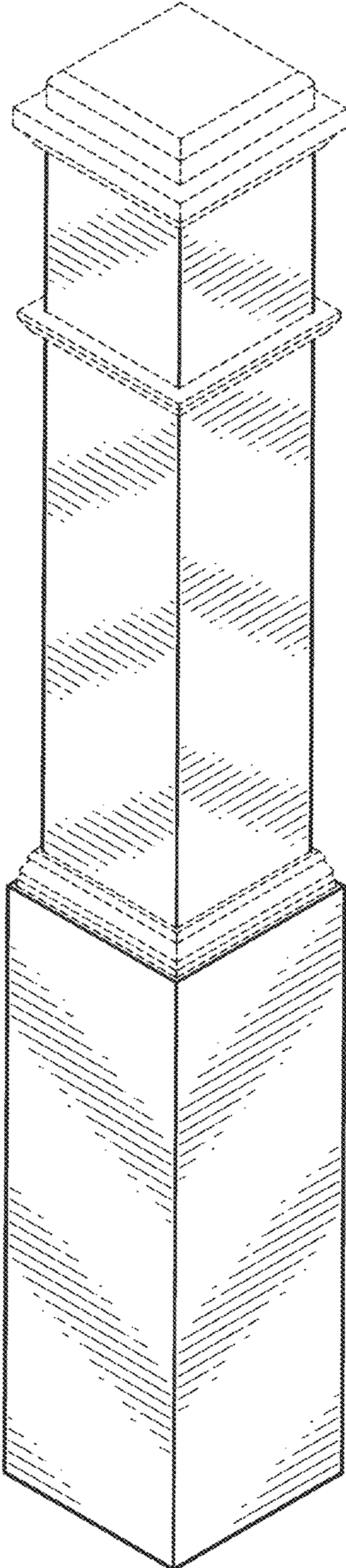


FIG-1

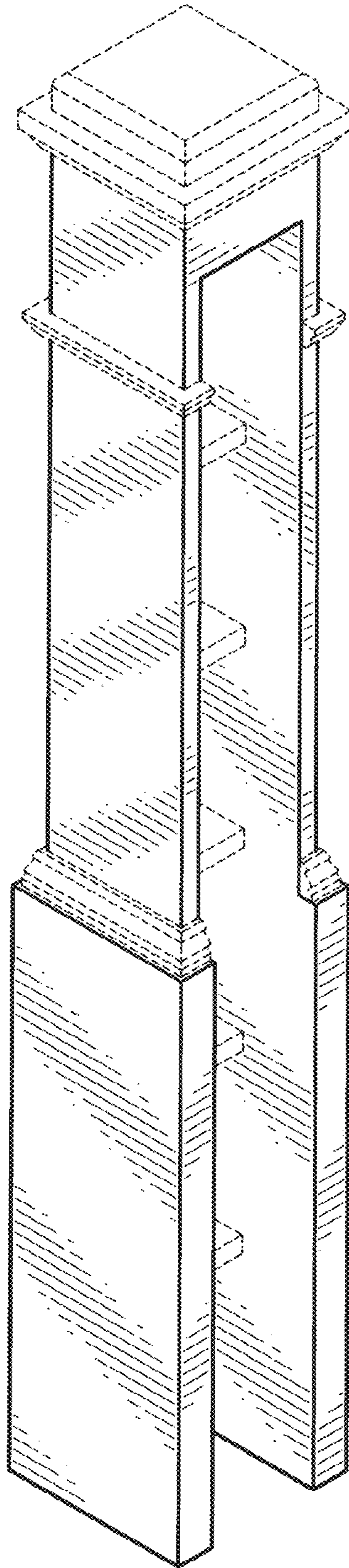


FIG-2



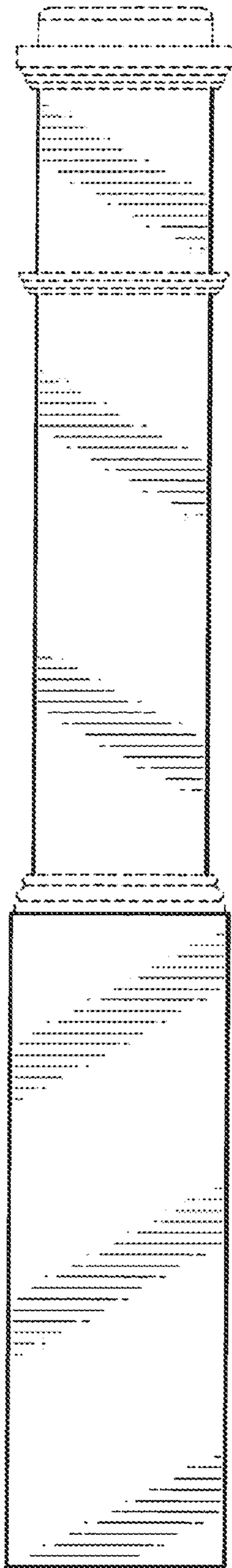


FIG-3

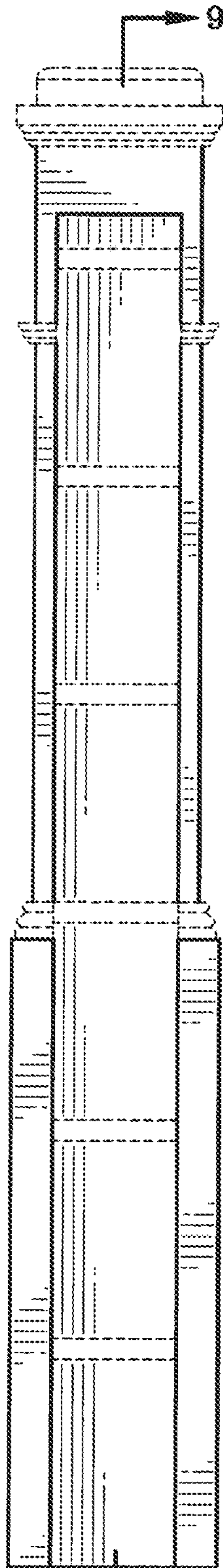


FIG-4

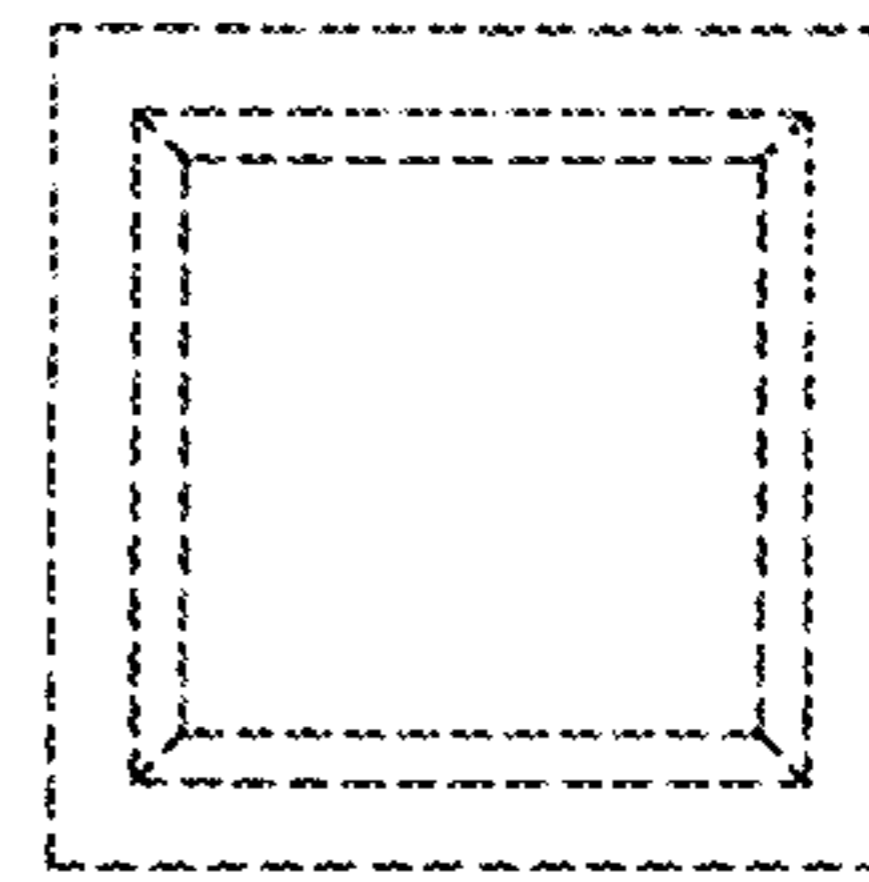


FIG-5

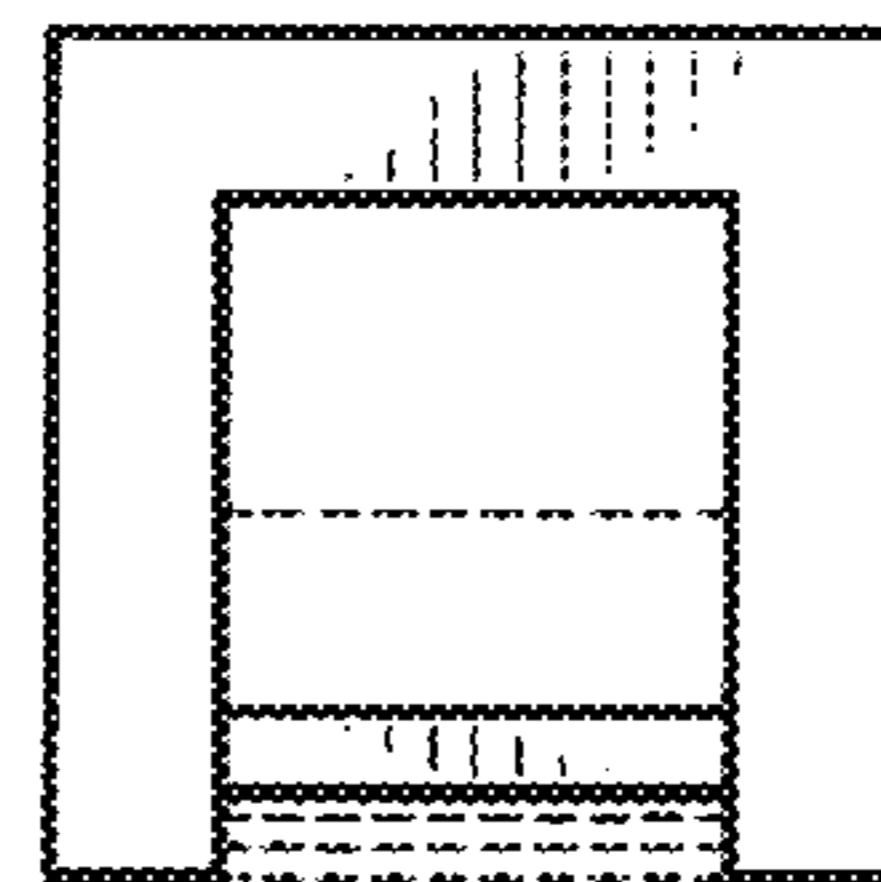


FIG-6

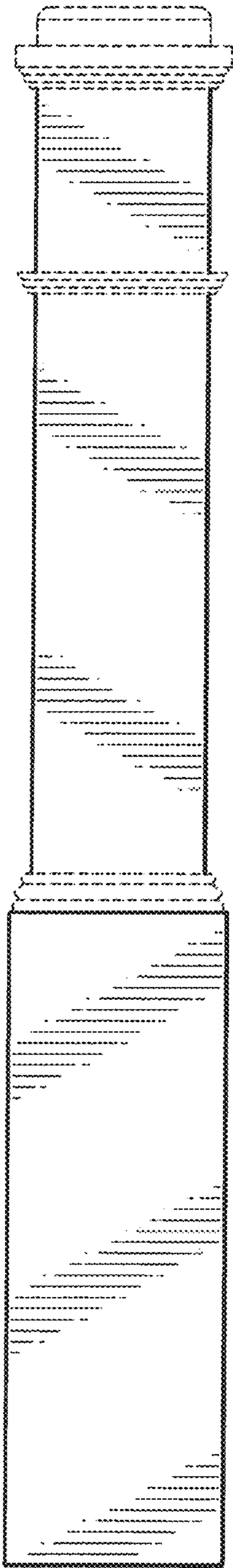


FIG-7

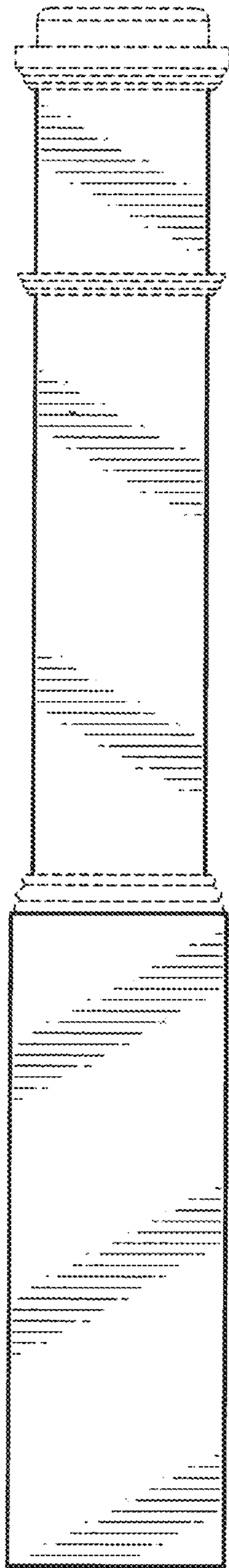


FIG-8

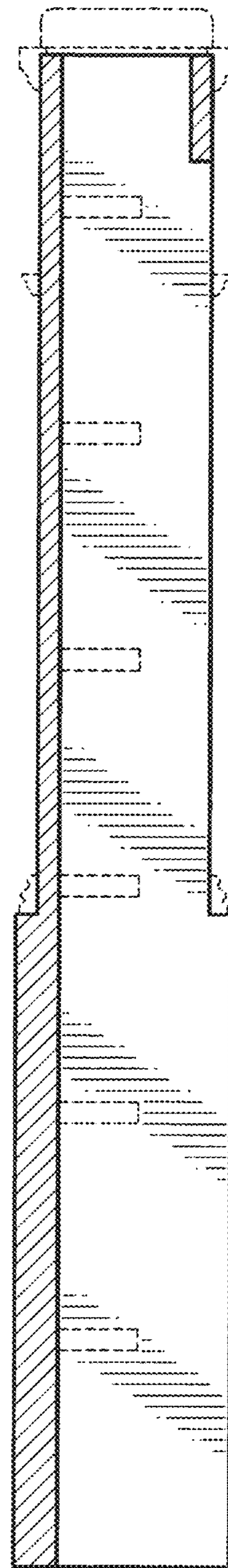


FIG-9