



US00D735357S

(12) **United States Design Patent**
Chaney et al.

(10) **Patent No.:** **US D735,357 S**

(45) **Date of Patent:** **** Jul. 28, 2015**

(54) **WINDOW COMPONENT EXTRUSION**

(71) Applicant: **Deceuninck North America, LLC**,
Monroe, OH (US)

(72) Inventors: **Michael T. Chaney**, Middletown, OH
(US); **Jonathan C. Hauberg**,
Centerville, OH (US); **Philip G.**
Morton, Germantown, OH (US)

(73) Assignee: **Deceuninck North America, LLC**,
Monroe, OH (US)

(**) Term: **14 Years**

(21) Appl. No.: **29/481,567**

(22) Filed: **Feb. 7, 2014**

(51) **LOC (10) Cl.** **25-01**

(52) **U.S. Cl.**
USPC **D25/124**

(58) **Field of Classification Search**
USPC D25/124; 52/204.1, 204.2, 204.5,
52/204.51, 656.5, 656.6, 213, 215, 208,
52/656.2, 656.7, 800.13, 717.01;
49/DIG. 2, 504

See application file for complete search history.

(56) **References Cited**

U.S. PATENT DOCUMENTS

5,555,682 A * 9/1996 Colitto 52/100
D467,355 S * 12/2002 Ballard et al. D25/124
2009/0193720 A1 * 8/2009 Duncan et al. 49/504

* cited by examiner

Primary Examiner — Doris Clark

(74) *Attorney, Agent, or Firm* — Jacox, Meckstroth &
Jenkins

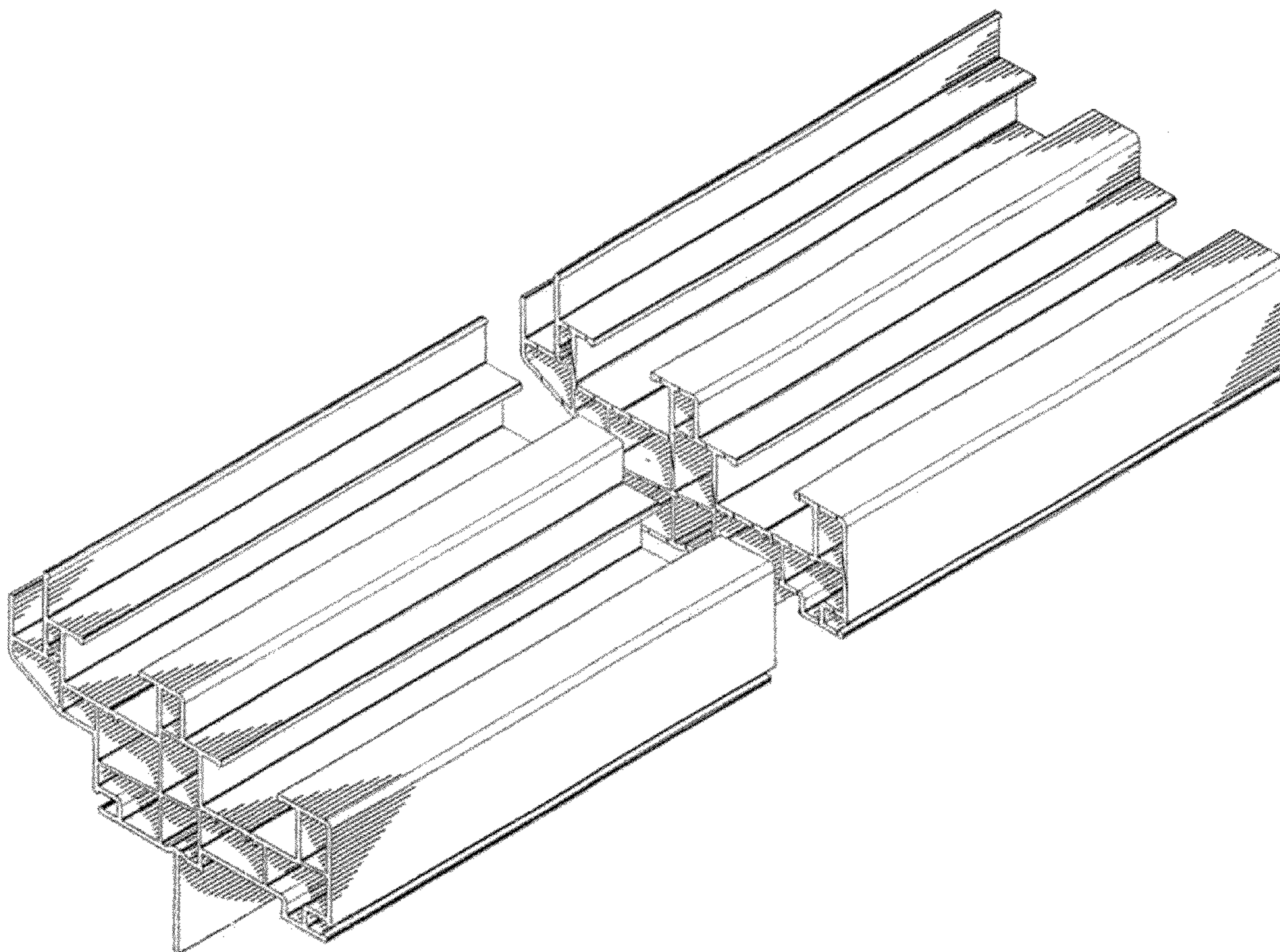
(57) **CLAIM**

The ornamental design of a window component extrusion, as
shown and described.

DESCRIPTION

FIG. 1 is a perspective view of a window component extru-
sion, showing our new design, with a middle portion broken
away to disclose indefinite length; and,
FIG. 2 is an end view.

1 Claim, 1 Drawing Sheet



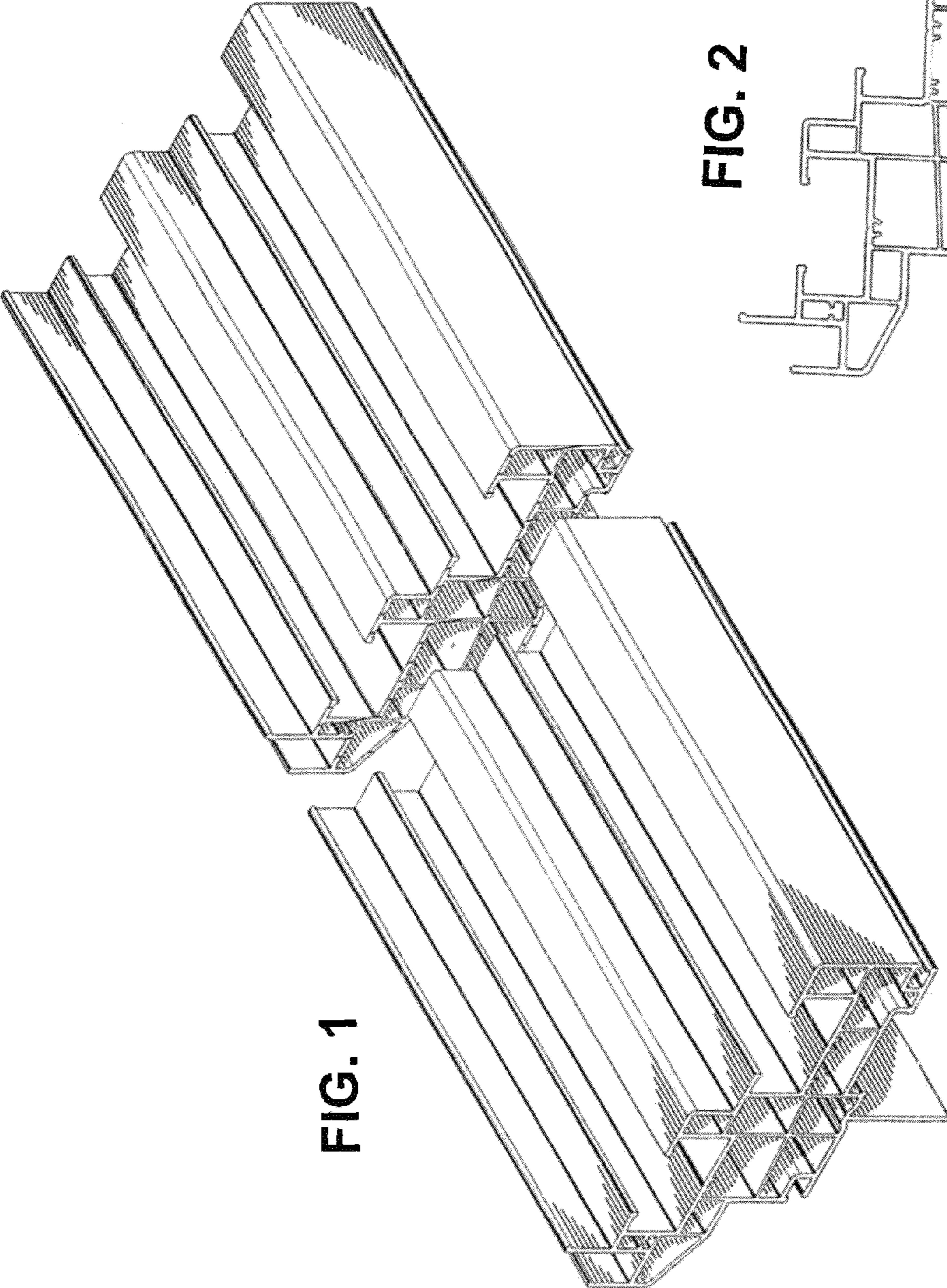


FIG. 1

FIG. 2

