



US00D735356S

(12) **United States Design Patent**
Hillstrom et al.

(10) **Patent No.:** **US D735,356 S**
(45) **Date of Patent:** **** Jul. 28, 2015**

(54) **SQUARE POST EXTRUSION FOR MOUNTING PANELS**

(71) Applicant: **3form, Inc.**, Salt Lake City, UT (US)

(72) Inventors: **Brian Hillstrom**, Loretto, MN (US);
Stephen Lynn Rogers, North Salt Lake, UT (US); **Guillaume Martin**,
Rochetoirin (FR)

(73) Assignee: **3form, LLC**, Salt Lake City, UT (US)

(**) Term: **14 Years**

(21) Appl. No.: **29/471,791**

(22) Filed: **Nov. 5, 2013**

(51) **LOC (10) Cl.** **25-01**

(52) **U.S. Cl.**
USPC **D25/122; D25/126**

(58) **Field of Classification Search**
USPC D25/126, 122; 52/220.1, 220.3, 220.7,
52/241, 243, 36.6, 737.6, FOR. 161
See application file for complete search history.

(56) **References Cited**

U.S. PATENT DOCUMENTS

4,458,461 A * 7/1984 Holley 52/239
D361,139 S * 8/1995 Nomura D25/122
5,724,779 A * 3/1998 Chang 52/239

5,784,841 A * 7/1998 Nowell 52/220.5
6,481,169 B1 * 11/2002 Ludwig et al. 52/239
6,493,995 B2 * 12/2002 McKenzie 52/36.4
D497,211 S * 10/2004 Strassle D25/126
D570,500 S * 6/2008 Siemens D25/122
D586,480 S * 2/2009 Hockemeyer et al. D25/126

* cited by examiner

Primary Examiner — Doris Clark

(74) *Attorney, Agent, or Firm* — Workman Nydegger

(57) **CLAIM**

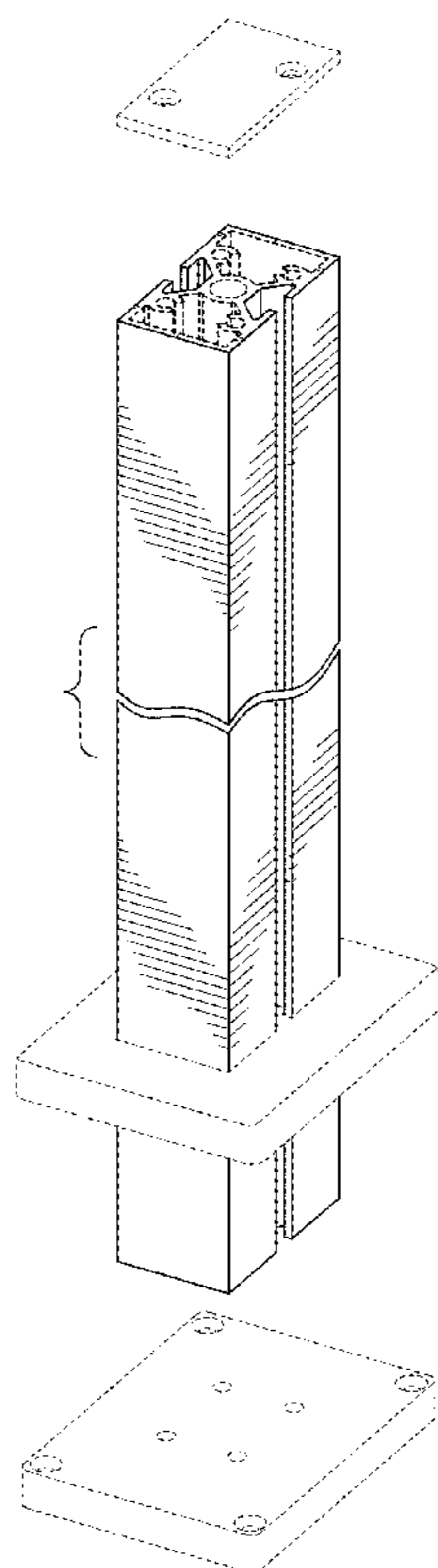
The ornamental design for a square post extrusion for mounting panels, as shown and described.

DESCRIPTION

FIG. 1 is a perspective view of a square post extrusion for mounting panels showing the new design; FIG. 2 is a left elevational view thereof; FIG. 3 is a front elevational view thereof; FIG. 4 is a right elevational view thereof; FIG. 5 is a back elevational view thereof; FIG. 6 is a first end view thereof; and, FIG. 7 is a second end view thereof.

The broken lines showing environment in the drawings are included for illustrative purposes only and form no part of the claimed design.

1 Claim, 4 Drawing Sheets



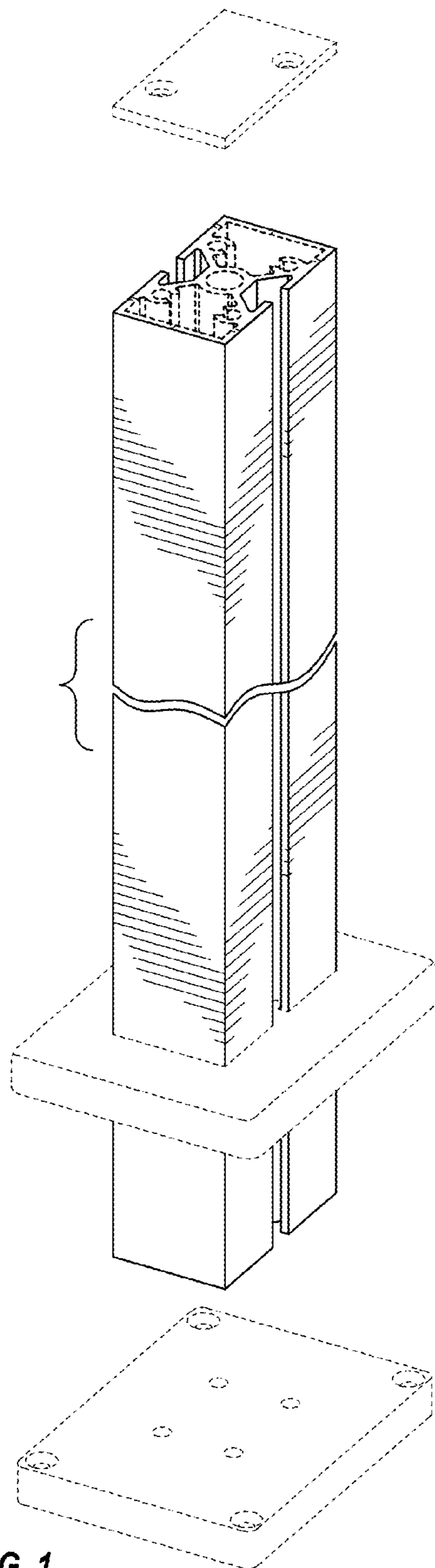


FIG. 1

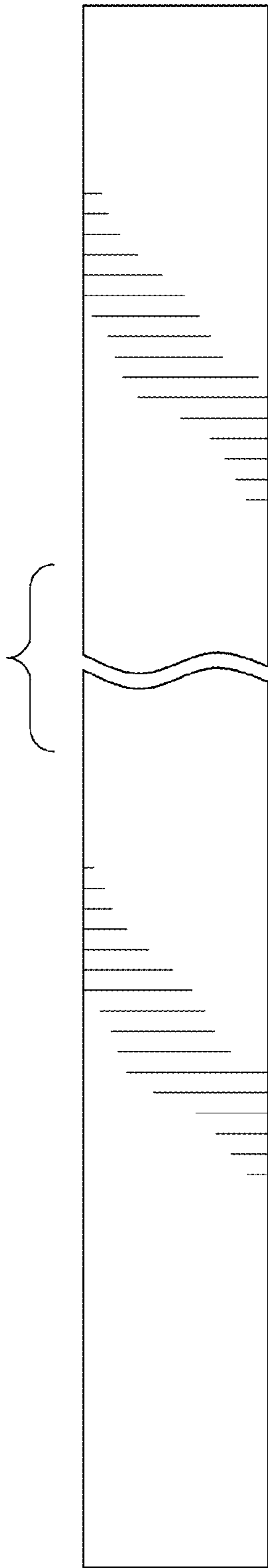


FIG. 2

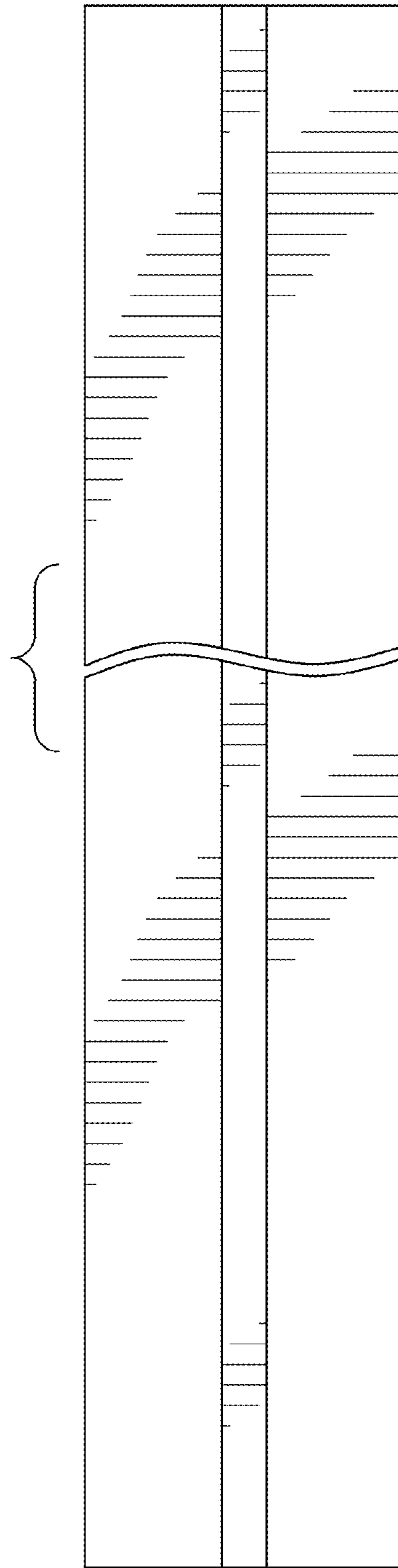


FIG. 3

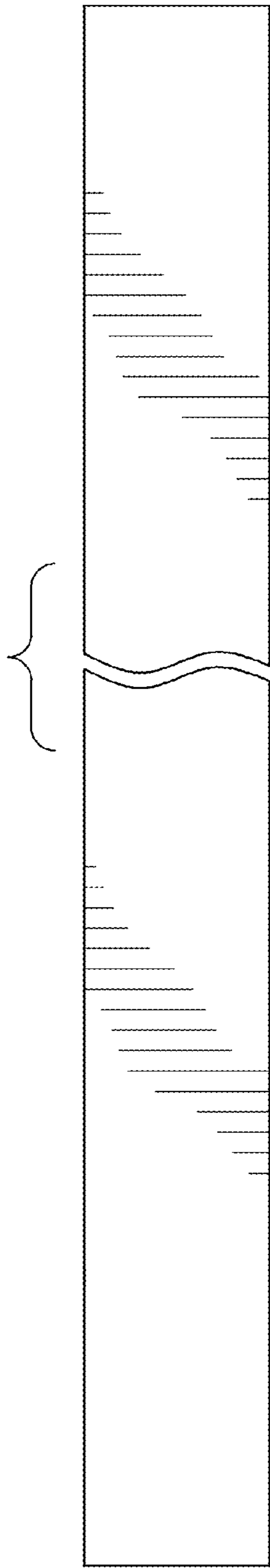


FIG. 4

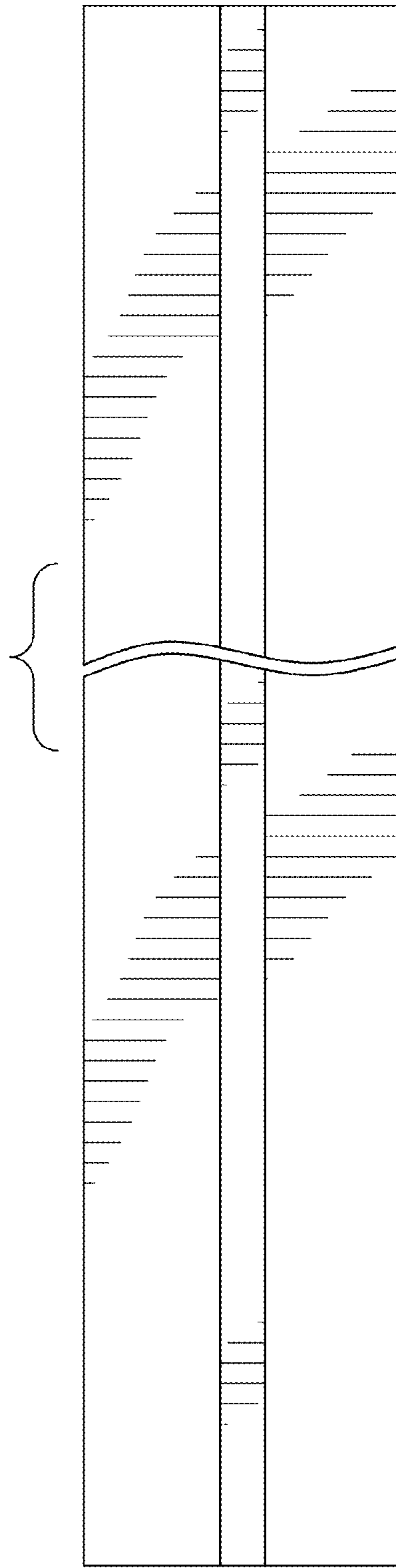


FIG. 5

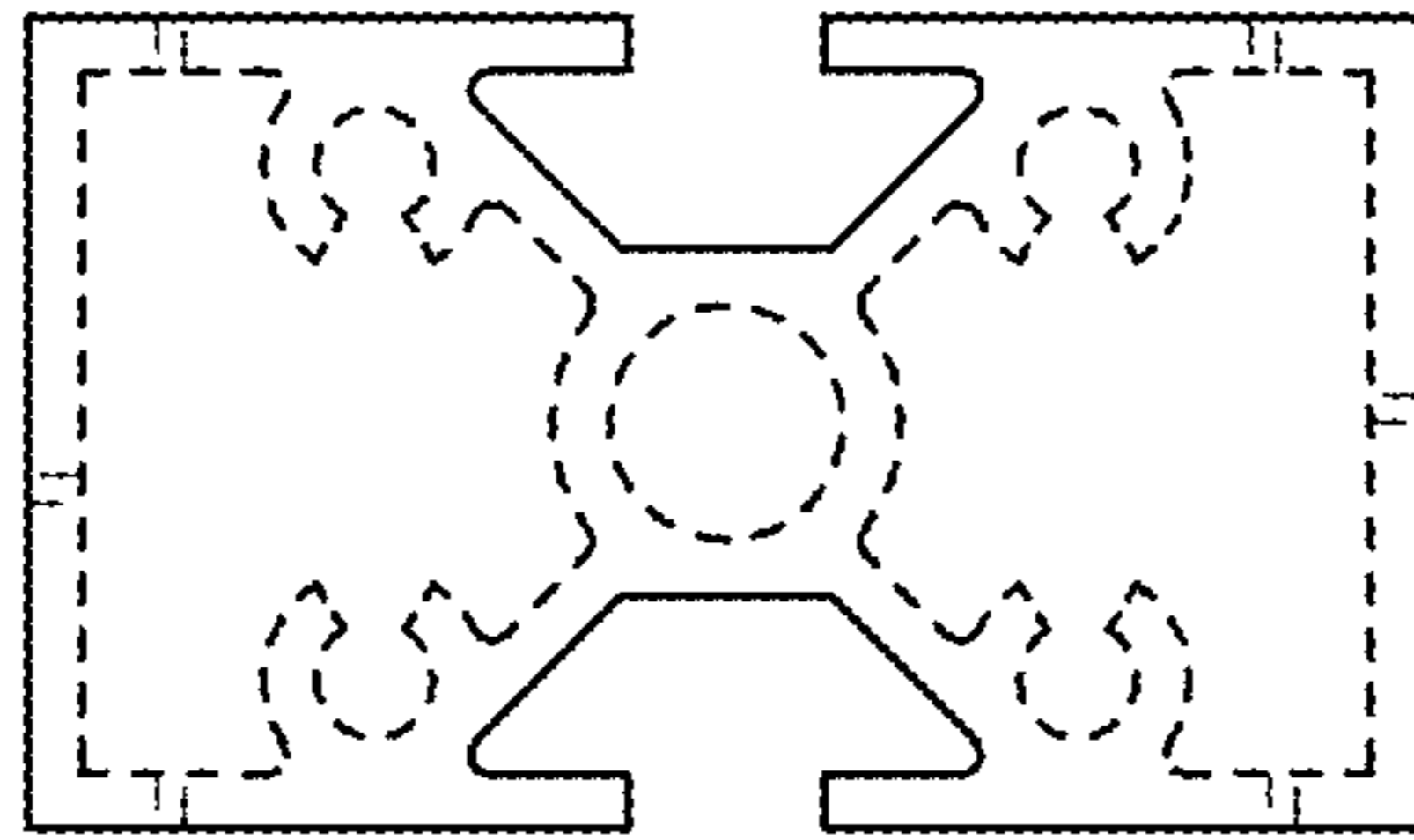


FIG. 7

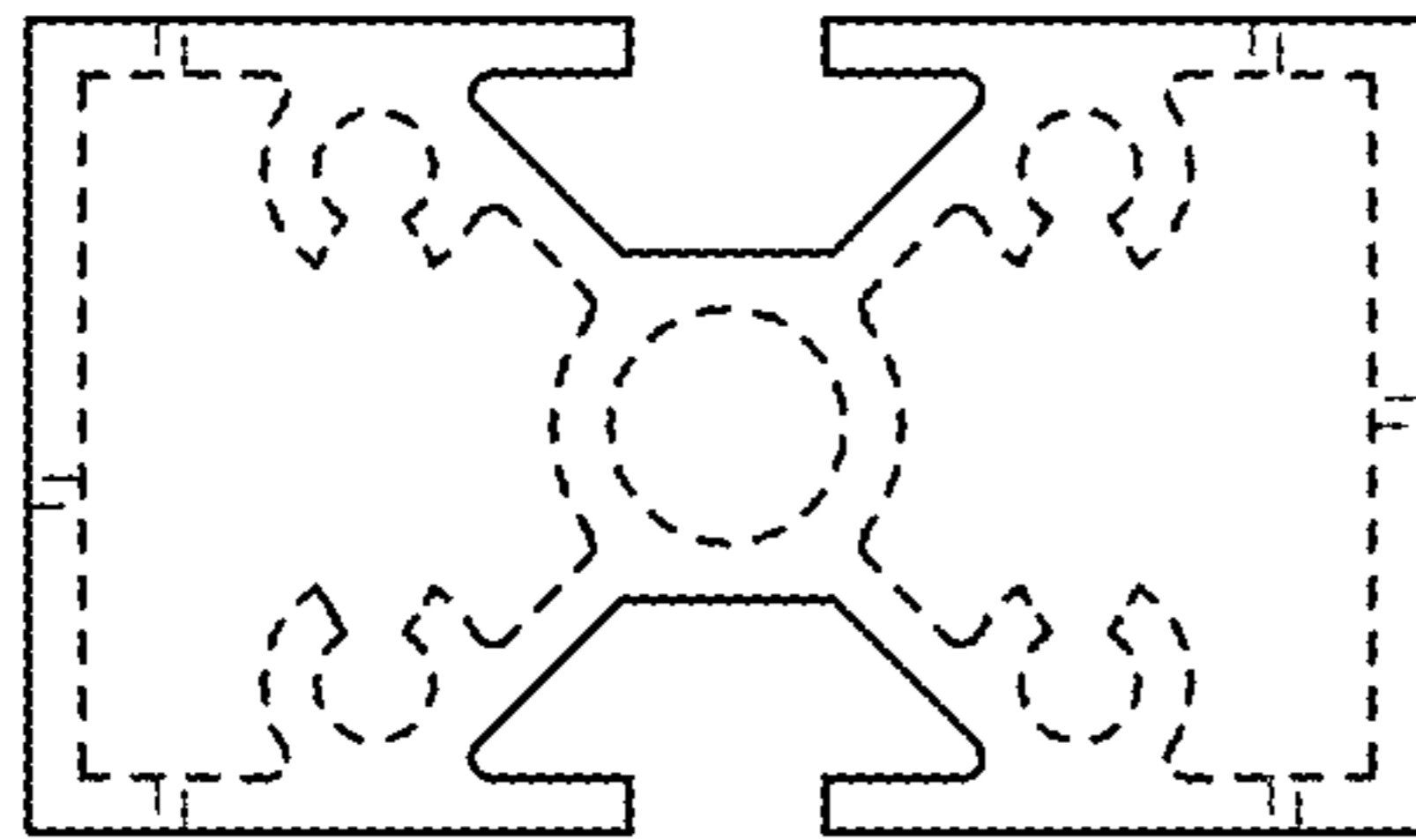


FIG. 6