



US00D735354S

(12) **United States Design Patent**
Fadear

(10) **Patent No.:** **US D735,354 S**
(45) **Date of Patent:** **** Jul. 28, 2015**

- (54) **PORTABLE UTILITY TRAY FOR SCAFFOLDING**
- (71) Applicant: **Blaine Fadear**, Langley (CA)
- (72) Inventor: **Blaine Fadear**, Langley (CA)
- (**) Term: **14 Years**
- (21) Appl. No.: **29/476,810**
- (22) Filed: **Dec. 17, 2013**
- (51) **LOC (10) Cl.** **25-04**
- (52) **U.S. Cl.**
USPC **D25/68**
- (58) **Field of Classification Search**
USPC D25/66, 68; 248/210, 238;
182/107-108, 129
CPC E06C 7/14; E06C 7/143; E06C 7/146
See application file for complete search history.

6,401,862	B1 *	6/2002	Caron	182/129
6,412,601	B1 *	7/2002	Schmidt	182/129
D541,432	S *	4/2007	Rapp	D25/68
D549,839	S *	8/2007	Zodnik	D25/68
D685,110	S *	6/2013	Lusin et al.	D25/68
D700,361	S *	2/2014	Green	D25/68
2005/0247838	A1 *	11/2005	Zodnik	248/238
2006/0196999	A1 *	9/2006	Owens et al.	248/210

* cited by examiner

Primary Examiner — Michael A Pratt

(74) *Attorney, Agent, or Firm* — Robert C. Montgomery; Montgomery Patent & Design, LP.

(57) **CLAIM**

The ornamental design for a portable utility tray for scaffolding, as shown and described.

DESCRIPTION

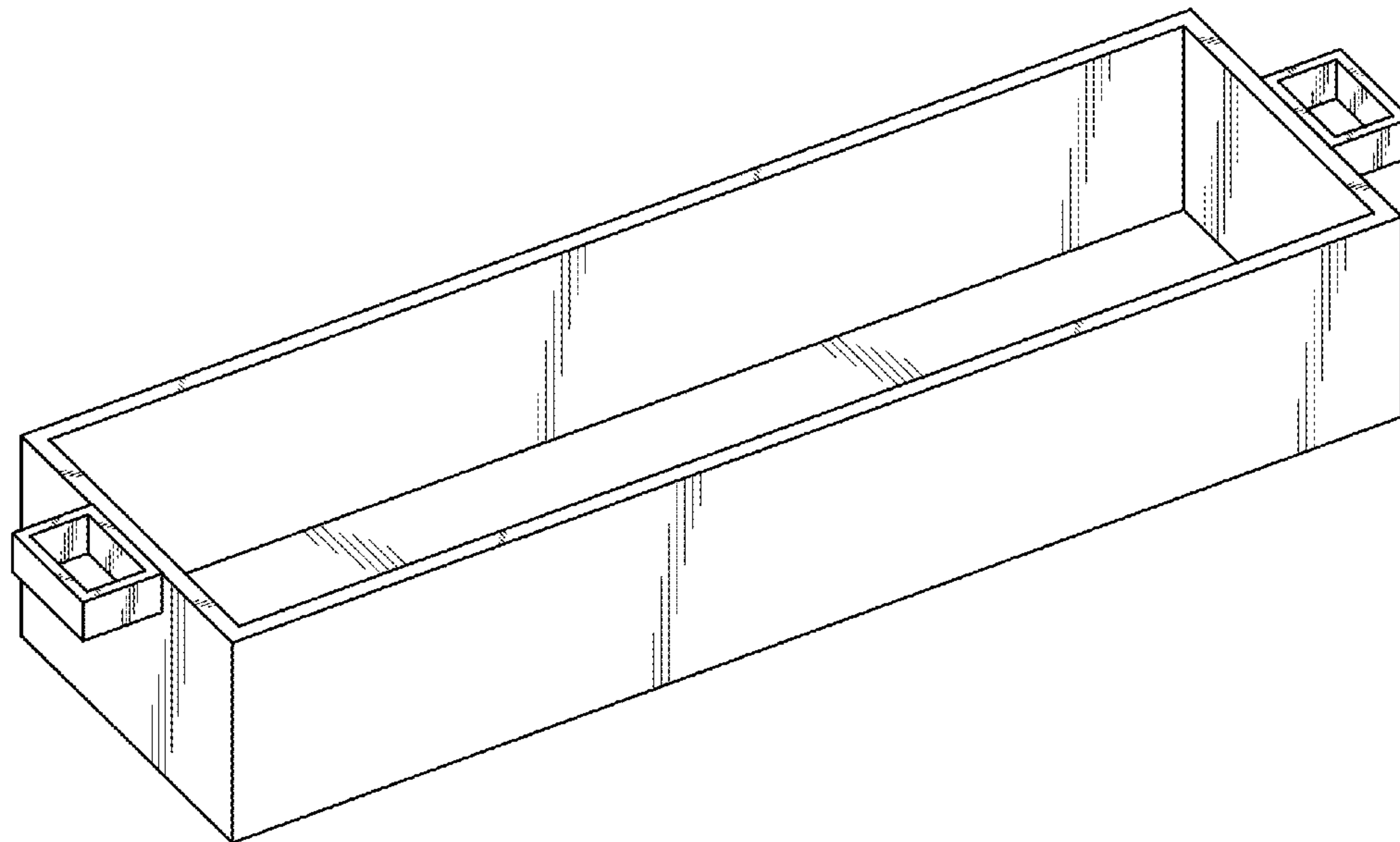
FIG. 1 is an isometric view of a portable utility tray for scaffolding;
 FIG. 2 is front view thereof, wherein a rear view is a mirror image of the front view;
 FIG. 3 is a left-hand side view thereof, wherein a right-hand side view is a mirror image of the right-hand side view;
 FIG. 4 is a top view thereof; and,
 FIG. 5 is a bottom view thereof.

1 Claim, 5 Drawing Sheets

(56) **References Cited**

U.S. PATENT DOCUMENTS

2,444,096	A *	6/1948	Faust	220/570
4,121,692	A *	10/1978	Morawski	182/129
4,261,435	A *	4/1981	Winter	182/129
5,582,269	A *	12/1996	Gugel et al.	182/129



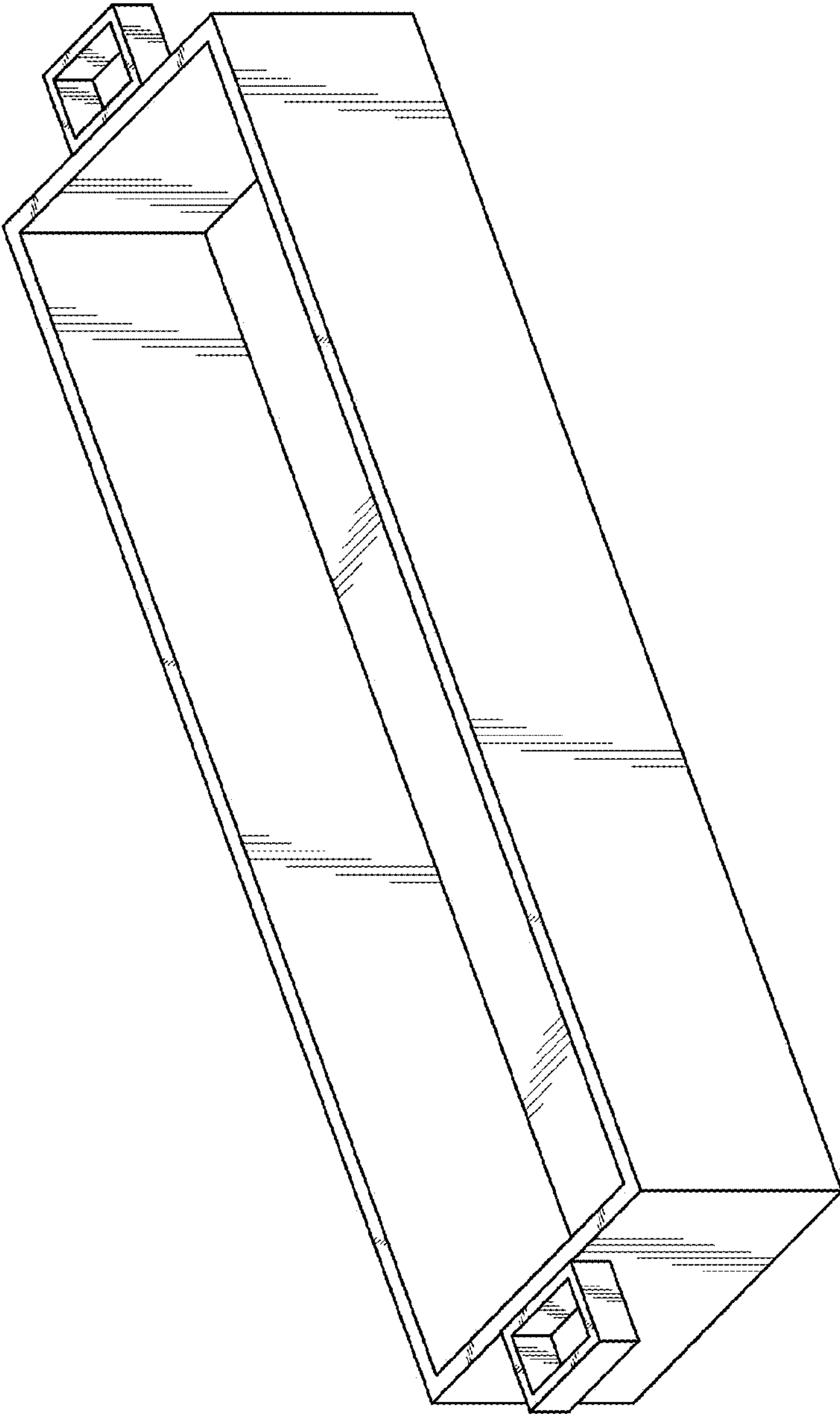


Fig. 1

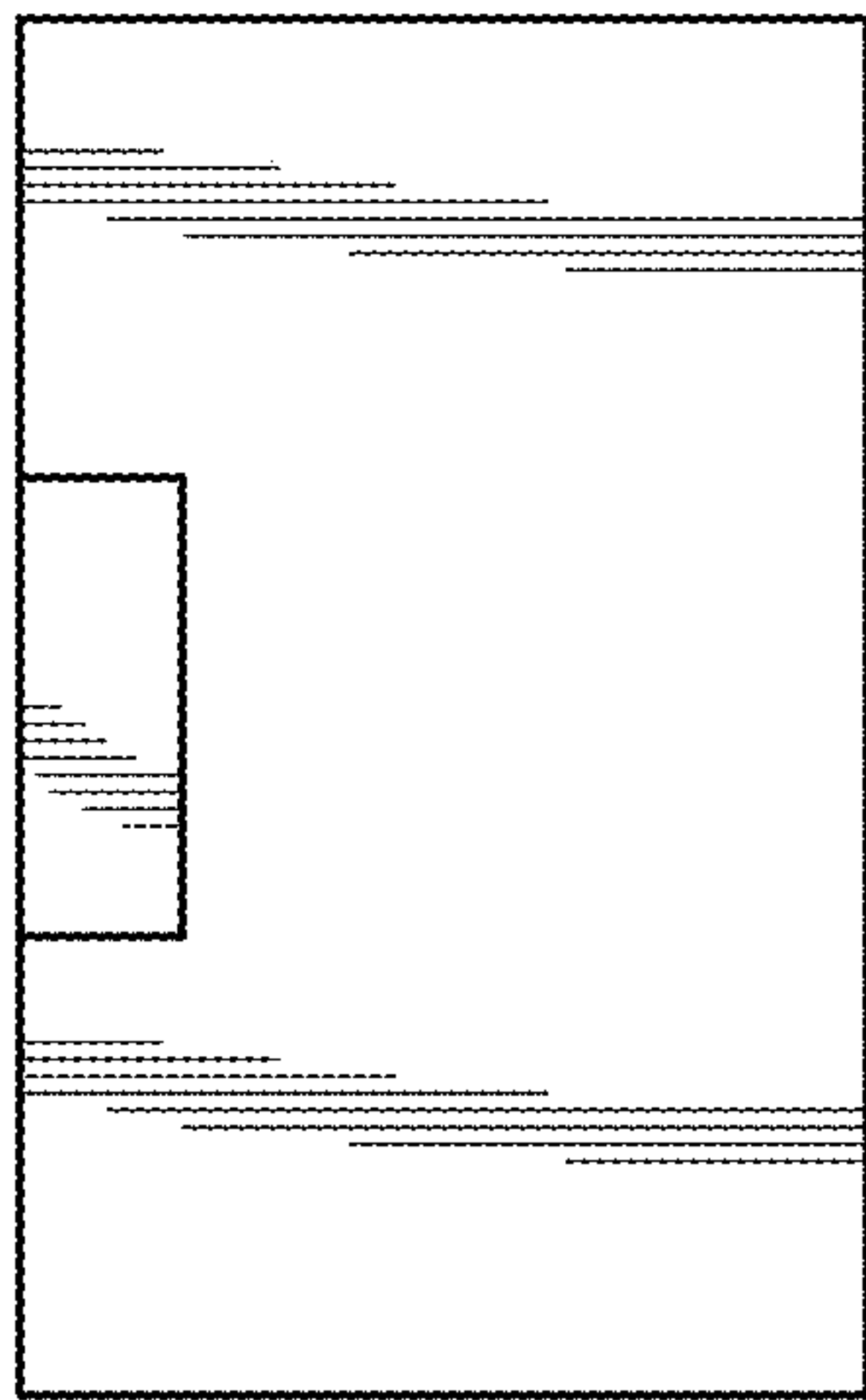


Fig. 2

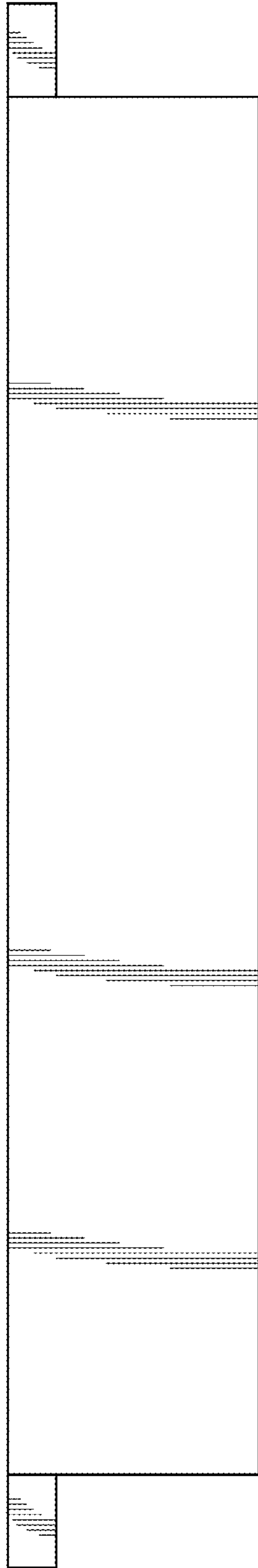


Fig. 3

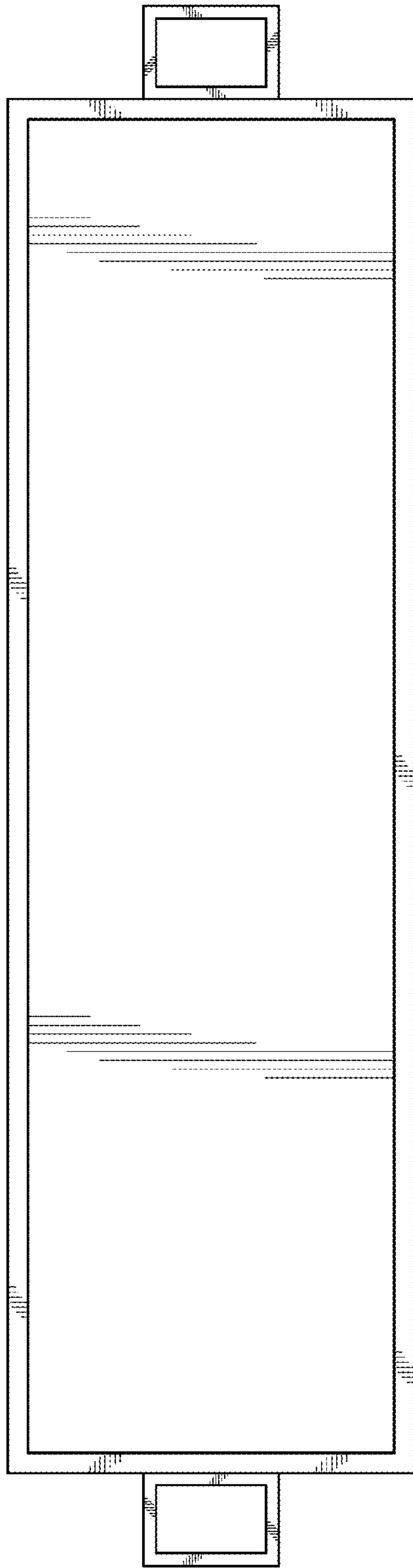


Fig. 4

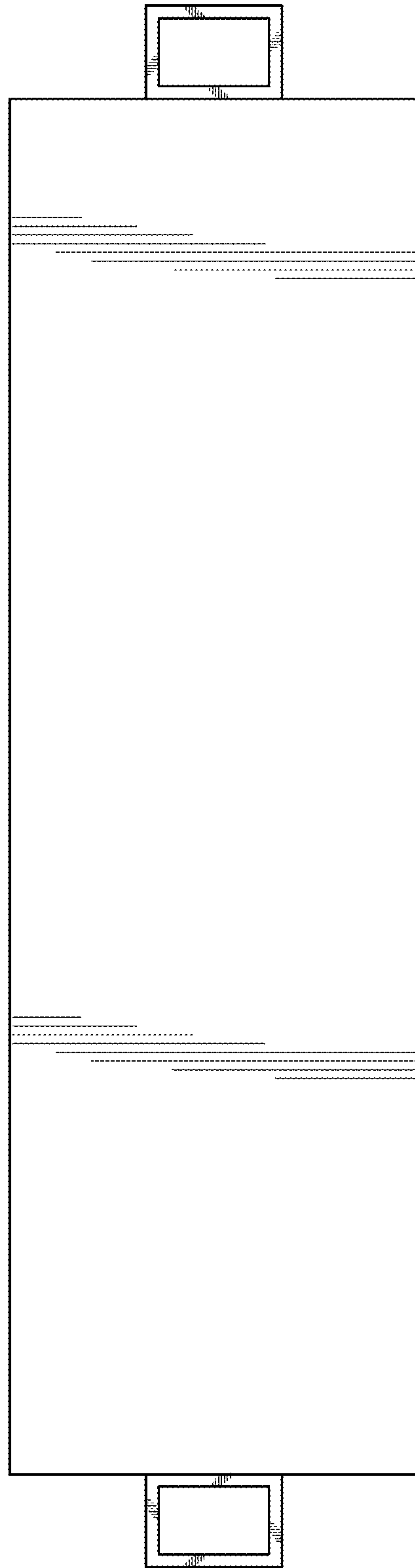


Fig. 5