



US00D735350S

(12) **United States Design Patent**  
**Eckstein et al.**

(10) **Patent No.:** **US D735,350 S**  
(45) **Date of Patent:** **\*\* Jul. 28, 2015**

- (54) **MIXING TIP**
- (71) Applicant: **3M Innovative Properties Company**,  
St. Paul, MN (US)
- (72) Inventors: **Stefan Eckstein**, München (DE);  
**Andreas Boehm**, Reichling (DE); **Marc**  
**Peuker**, Schöndorf (DE)
- (73) Assignee: **3M Innovative Properties Company**,  
St. Paul, MN (US)

|              |      |         |                  |       |         |
|--------------|------|---------|------------------|-------|---------|
| 6,884,071    | B2 * | 4/2005  | Martin           | ..... | 433/90  |
| 7,562,792    | B2 * | 7/2009  | Nisbet           | ..... | 222/137 |
| D645,958     | S    | 9/2011  | Assmann          |       |         |
| D672,873     | S *  | 12/2012 | An               | ..... | D24/156 |
| D681,808     | S    | 5/2013  | Holaschke        |       |         |
| D690,813     | S *  | 10/2013 | Bizzell et al.   | ..... | D24/162 |
| D693,940     | S *  | 11/2013 | Walter et al.    | ..... | D24/220 |
| D696,787     | S *  | 12/2013 | Walter et al.    | ..... | D24/220 |
| D698,918     | S    | 2/2014  | Leiner           |       |         |
| 2010/0240004 | A1 * | 9/2010  | Zalsman          | ..... | 433/90  |
| 2011/0056985 | A1 * | 3/2011  | Bublewitz et al. | ..... | 222/137 |
| 2013/0101955 | A1 * | 4/2013  | Broyles et al.   | ..... | 433/90  |
| 2013/0260335 | A1 * | 10/2013 | Peuker et al.    | ..... | 433/90  |

(\*\*) Term: **14 Years**

(21) Appl. No.: **29/486,607**

(22) Filed: **Apr. 1, 2014**

(30) **Foreign Application Priority Data**

Oct. 3, 2013 (EP) ..... 1385975

(51) **LOC (10) Cl.** ..... **24-00**

(52) **U.S. Cl.**  
USPC ..... **D24/220**

(58) **Field of Classification Search**  
USPC ..... D24/220, 164, 221, 176, 180, 170, 187,  
D24/64, 232, 216; D7/376; D15/19; 433/90;  
128/205.24; 222/145.5, 145.6;  
366/181.4, 307, 318

See application file for complete search history.

(56) **References Cited**

**U.S. PATENT DOCUMENTS**

|           |     |        |                |       |         |
|-----------|-----|--------|----------------|-------|---------|
| 3,739,947 | A * | 6/1973 | Baumann et al. | ..... | 222/136 |
| D287,877  | S   | 1/1987 | Holewinski     |       |         |
| 4,941,752 | A * | 7/1990 | Yant et al.    | ..... | 366/307 |
| 5,324,273 | A   | 6/1994 | Discko, Jr.    |       |         |
| 5,392,904 | A * | 2/1995 | Frick et al.   | ..... | 206/219 |
| D419,236  | S   | 1/2000 | Carlson        |       |         |
| D421,121  | S   | 2/2000 | Prasad         |       |         |
| D472,323  | S * | 3/2003 | Sand           | ..... | D24/220 |

**OTHER PUBLICATIONS**

*Tetric EvoCeram & Tetric EvoFlow®*, Ivoclar Vivodent, Oct. 29, 2013, 10 pages.

*Tetric EvoCeram® Bulk Fill, Nano-Hybrid Composite with Ivocerin*, Ivoclar Vivodent©, 2013, 6 pages.

\* cited by examiner

*Primary Examiner* — Holly Baynham

*Assistant Examiner* — Rhea Shields

(57) **CLAIM**

The ornamental design for a mixing tip, as shown and described.

**DESCRIPTION**

FIG. 1 is a perspective view showing the new design for a mixing tip;

FIG. 2 is a top view thereof;

FIG. 3 is a right side view thereof;

FIG. 4 is a bottom view thereof;

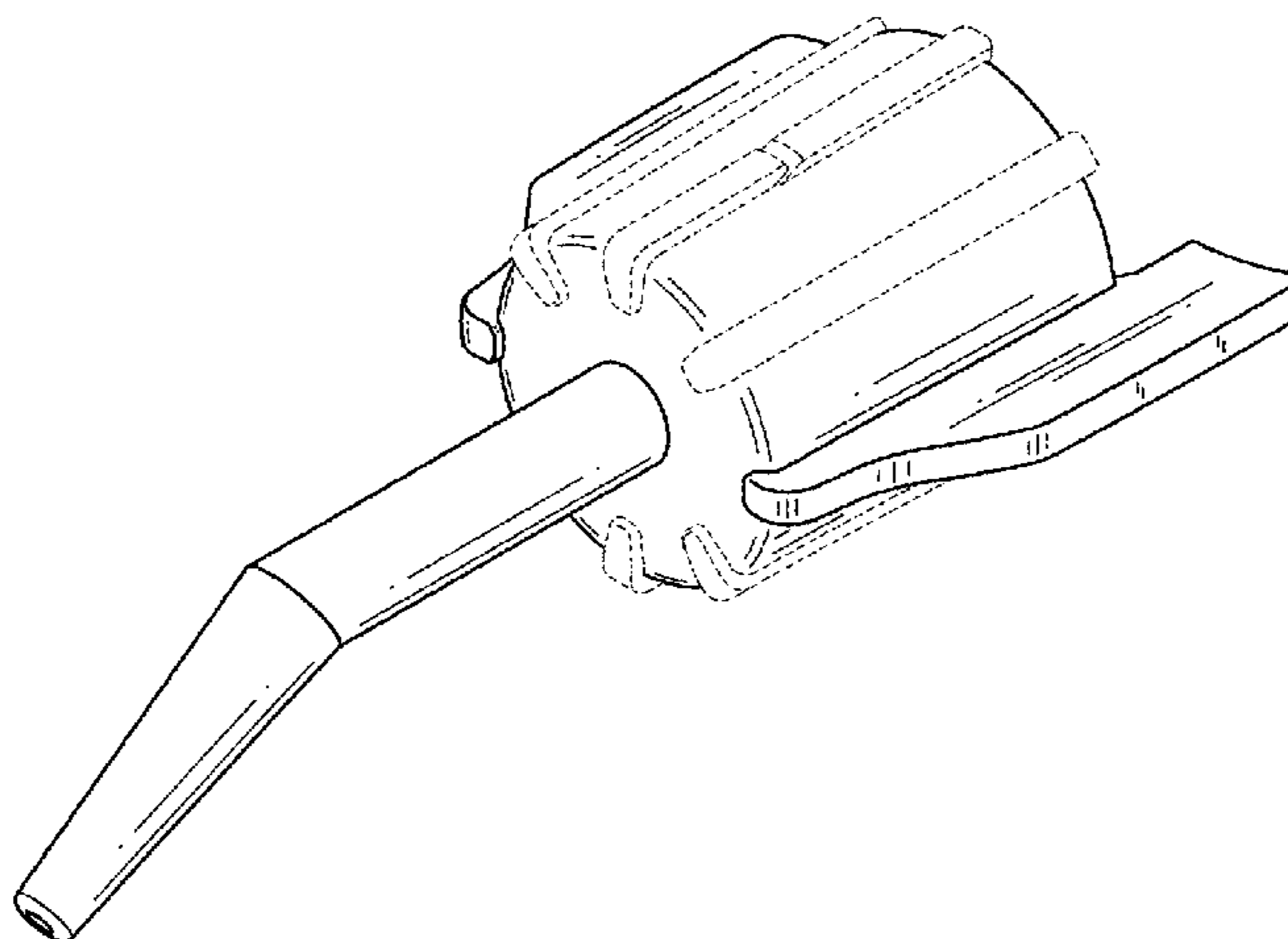
FIG. 5 is a left side view thereof;

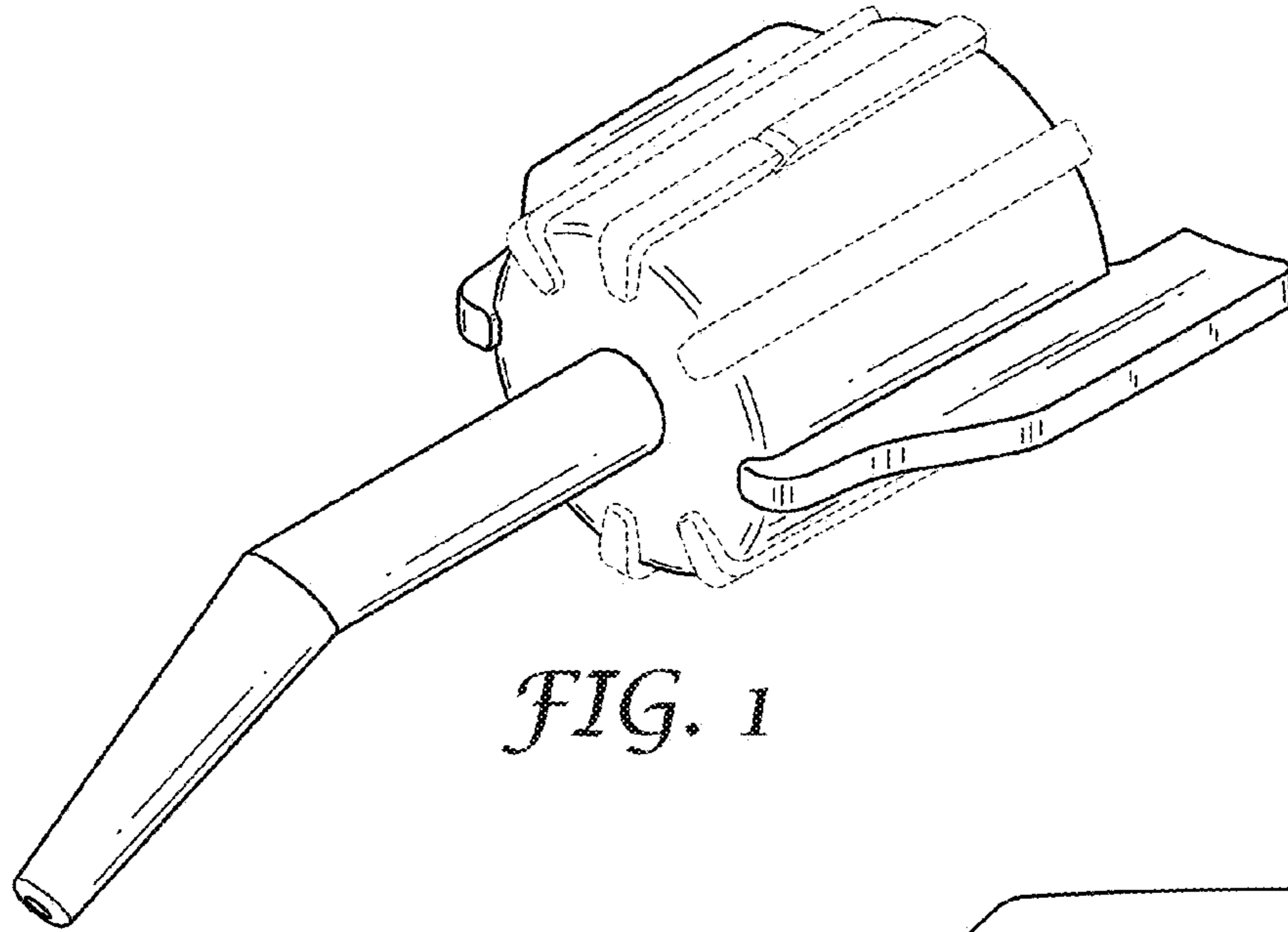
FIG. 6 is a front view thereof; and,

FIG. 7 is a back view thereof.

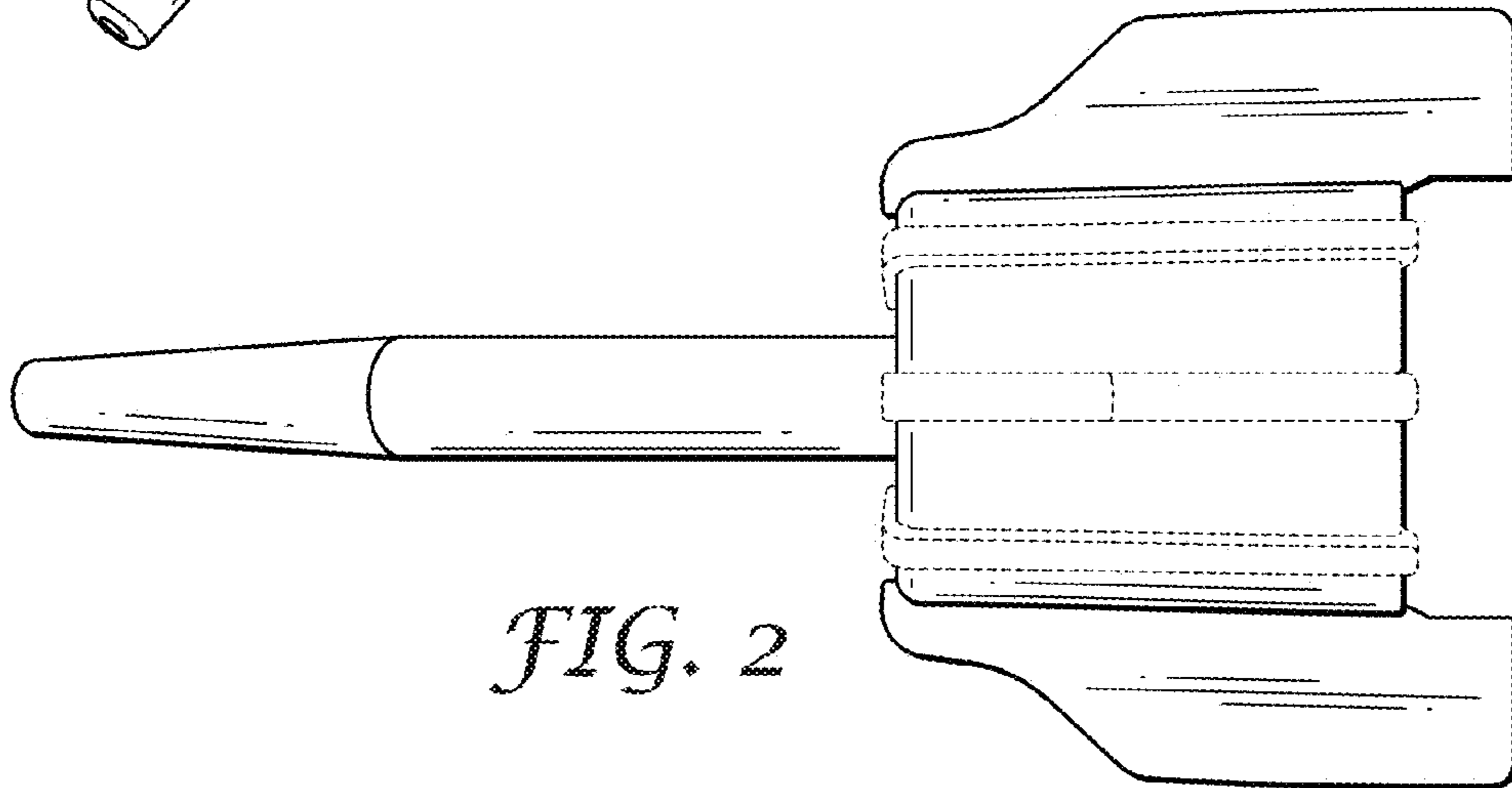
In the drawings, the broken lines depict environmental subject matter only and form no part of the claimed design.

**1 Claim, 2 Drawing Sheets**

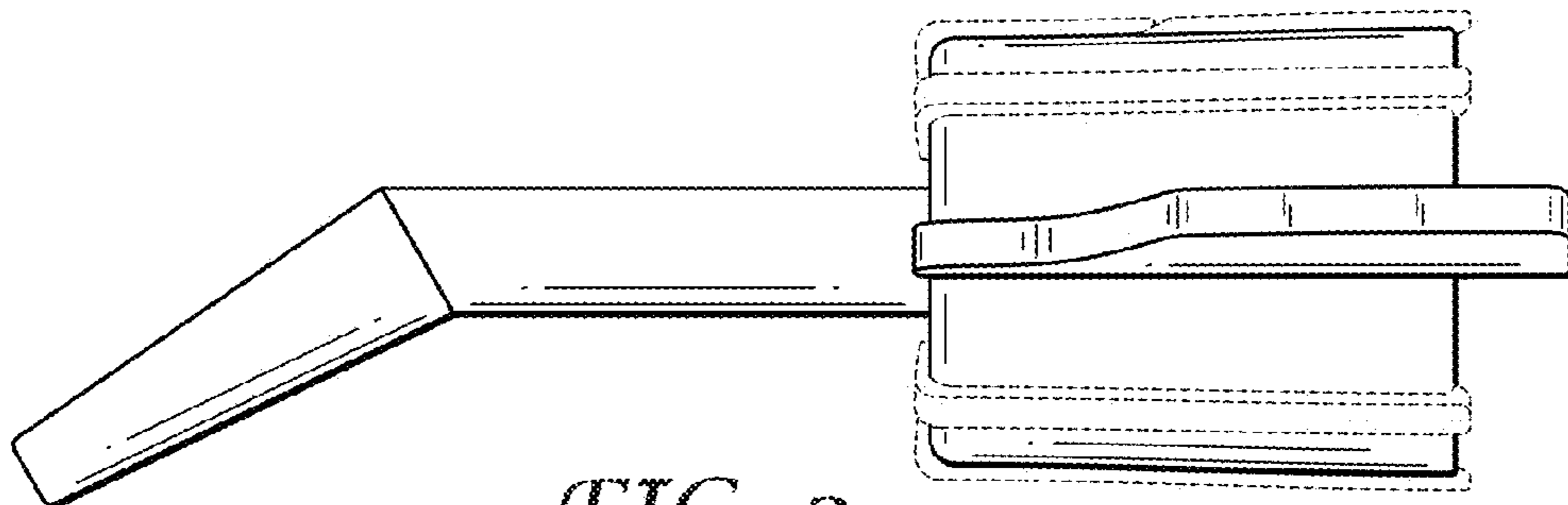




*FIG. 1*



*FIG. 2*



*FIG. 3*

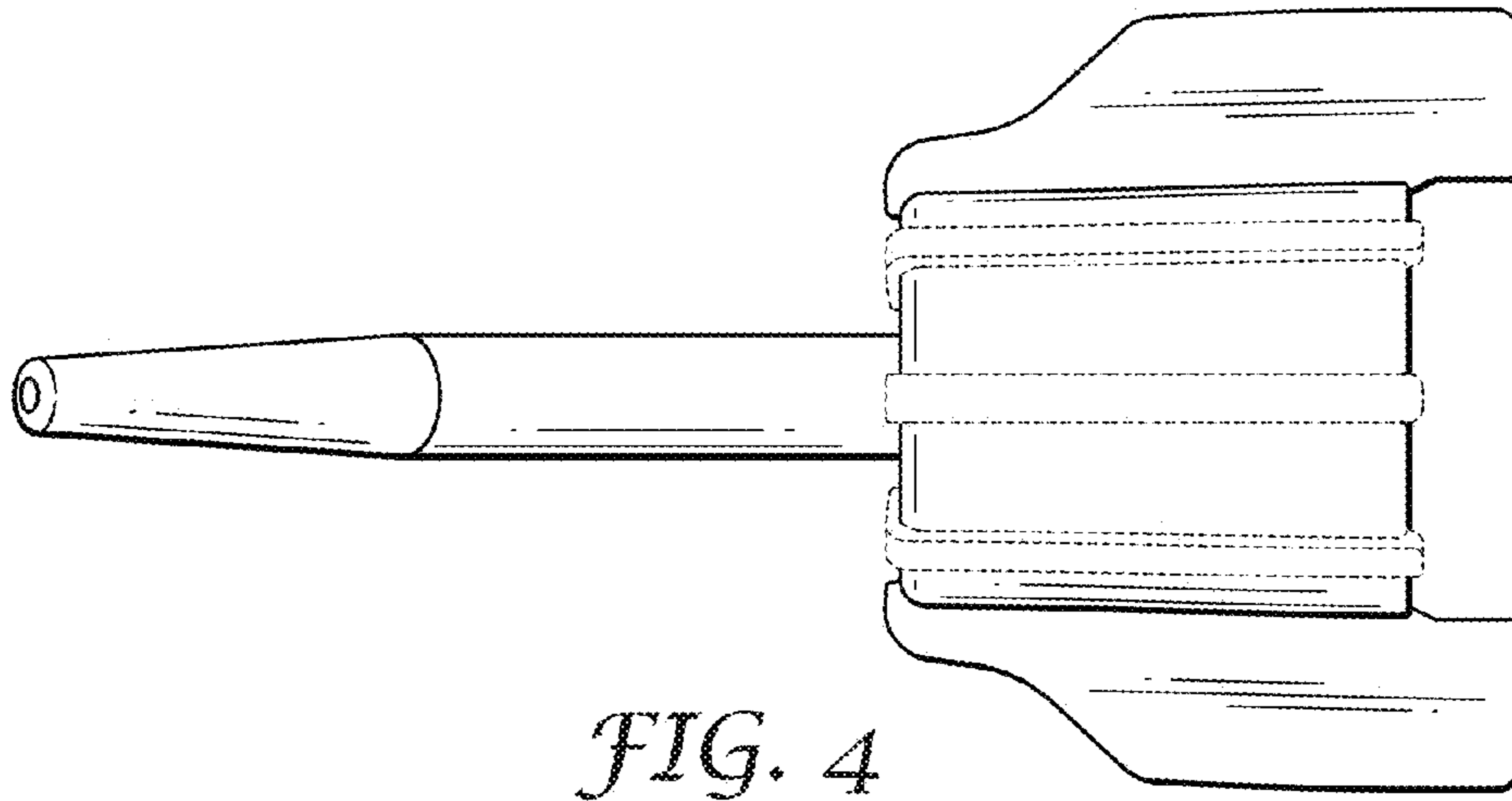


FIG. 4

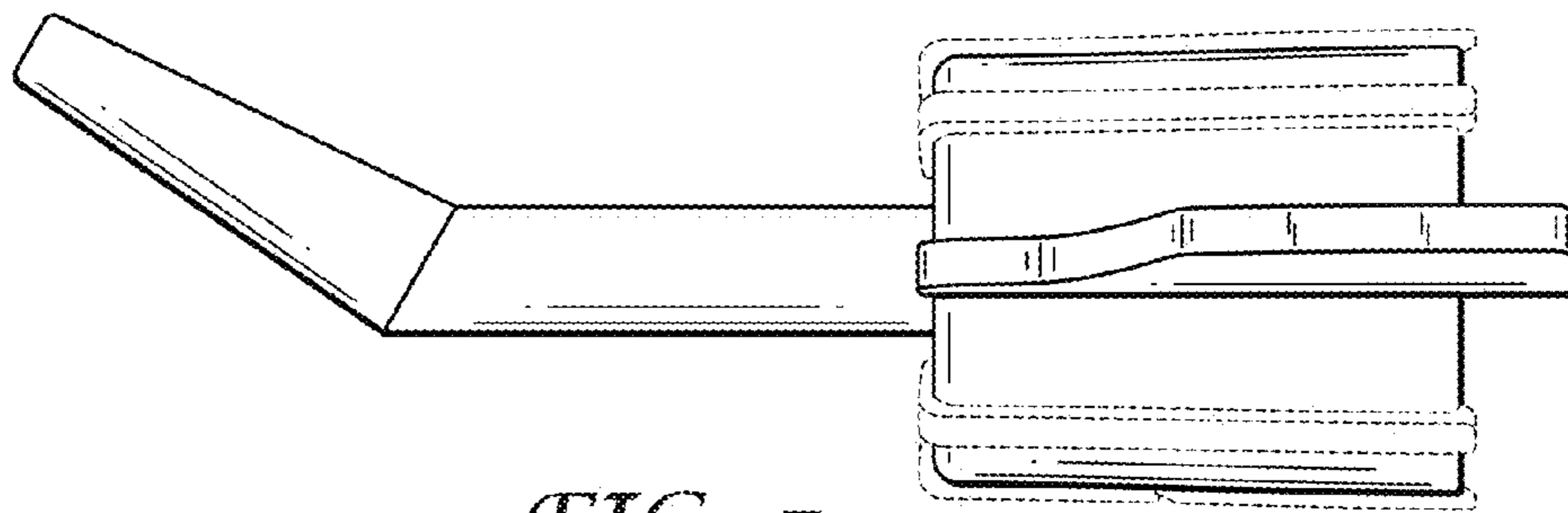


FIG. 5

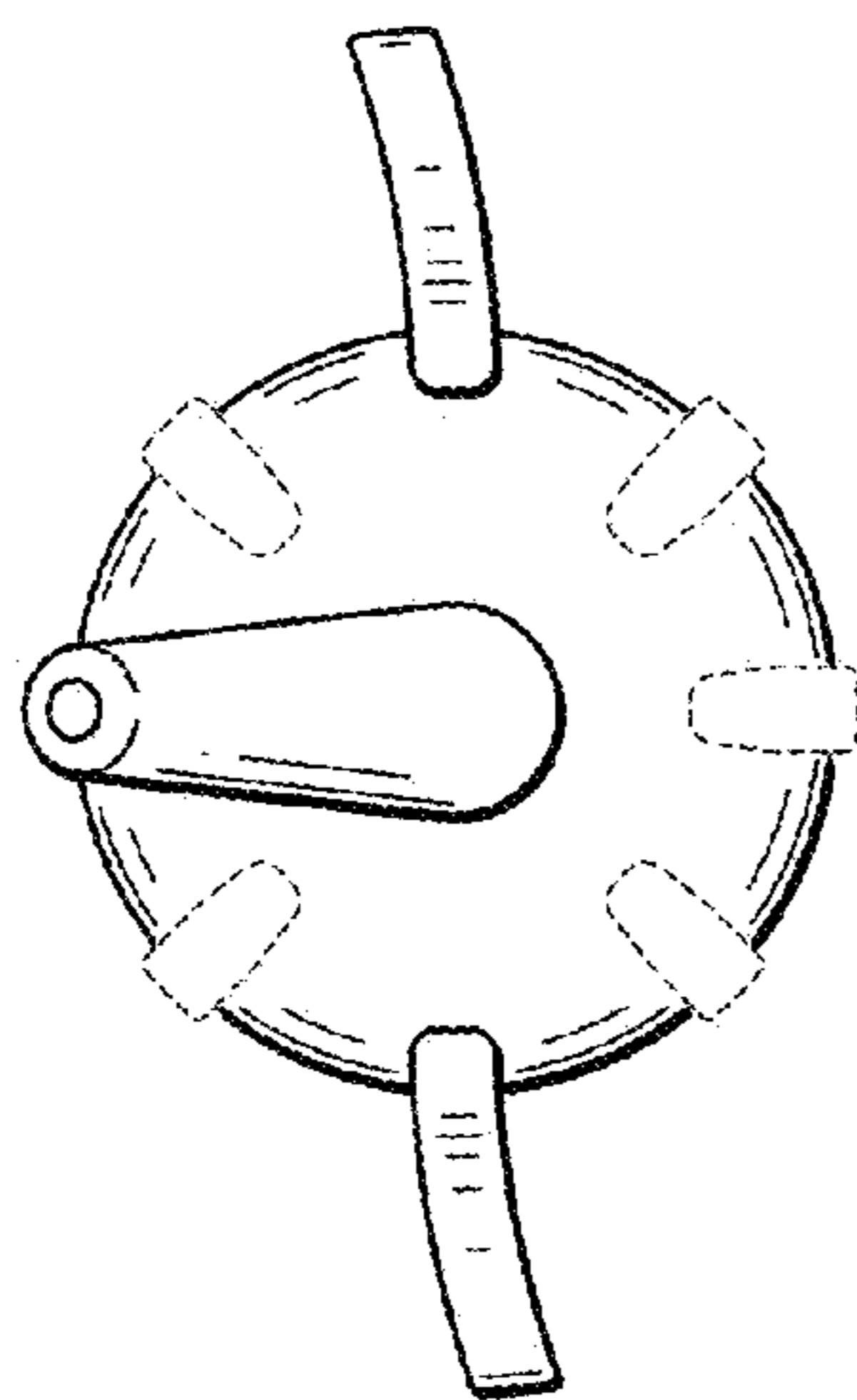


FIG. 6

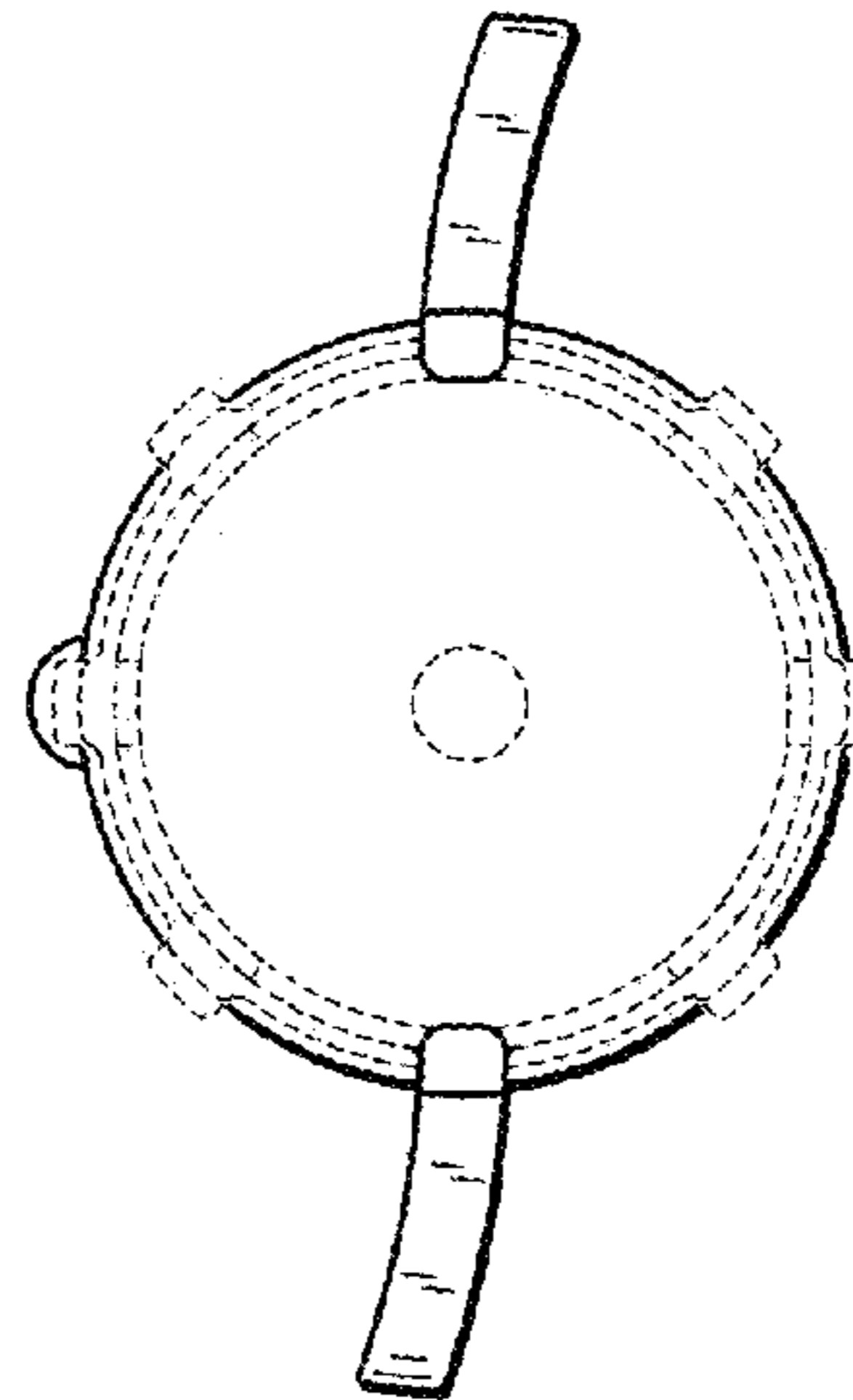


FIG. 7