



US00D735348S

(12) **United States Design Patent**
Hennessey

(10) **Patent No.:** **US D735,348 S**

(45) **Date of Patent:** **** Jul. 28, 2015**

(54) **HAND-HELD MASSAGER**

(71) Applicant: **Daniel Hennessey**, Como, CO (US)

(72) Inventor: **Daniel Hennessey**, Como, CO (US)

(**) Term: **14 Years**

(21) Appl. No.: **29/504,211**

(22) Filed: **Oct. 2, 2014**

(51) **LOC (10) Cl.** **28-03**

(52) **U.S. Cl.**
USPC **D24/211**

(58) **Field of Classification Search**

USPC D24/200, 211, 212, 213, 214, 215;
601/110–114, 120, 121, 124, 125, 129,
601/131, 134, 135, 136, 137
CPC A61H 19/30; A61H 19/32; A61H 19/34;
A61H 19/40; A61H 19/44; A61H 19/50;
A61H 19/00; A61H 2201/1253; A61H
2205/082; A61H 2205/085; A61H 2205/087;
A61H 15/0085

See application file for complete search history.

(56) **References Cited**

U.S. PATENT DOCUMENTS

D358,894 S * 5/1995 Ivy et al. D24/211
D359,359 S * 6/1995 Robertson et al. D24/211
D359,360 S * 6/1995 Ivy et al. D24/211

* cited by examiner

Primary Examiner — Sandra Snapp

(74) *Attorney, Agent, or Firm* — Klaas, Law, O’Meara & Malkin, PC; Robert W. Nelson, Esq.

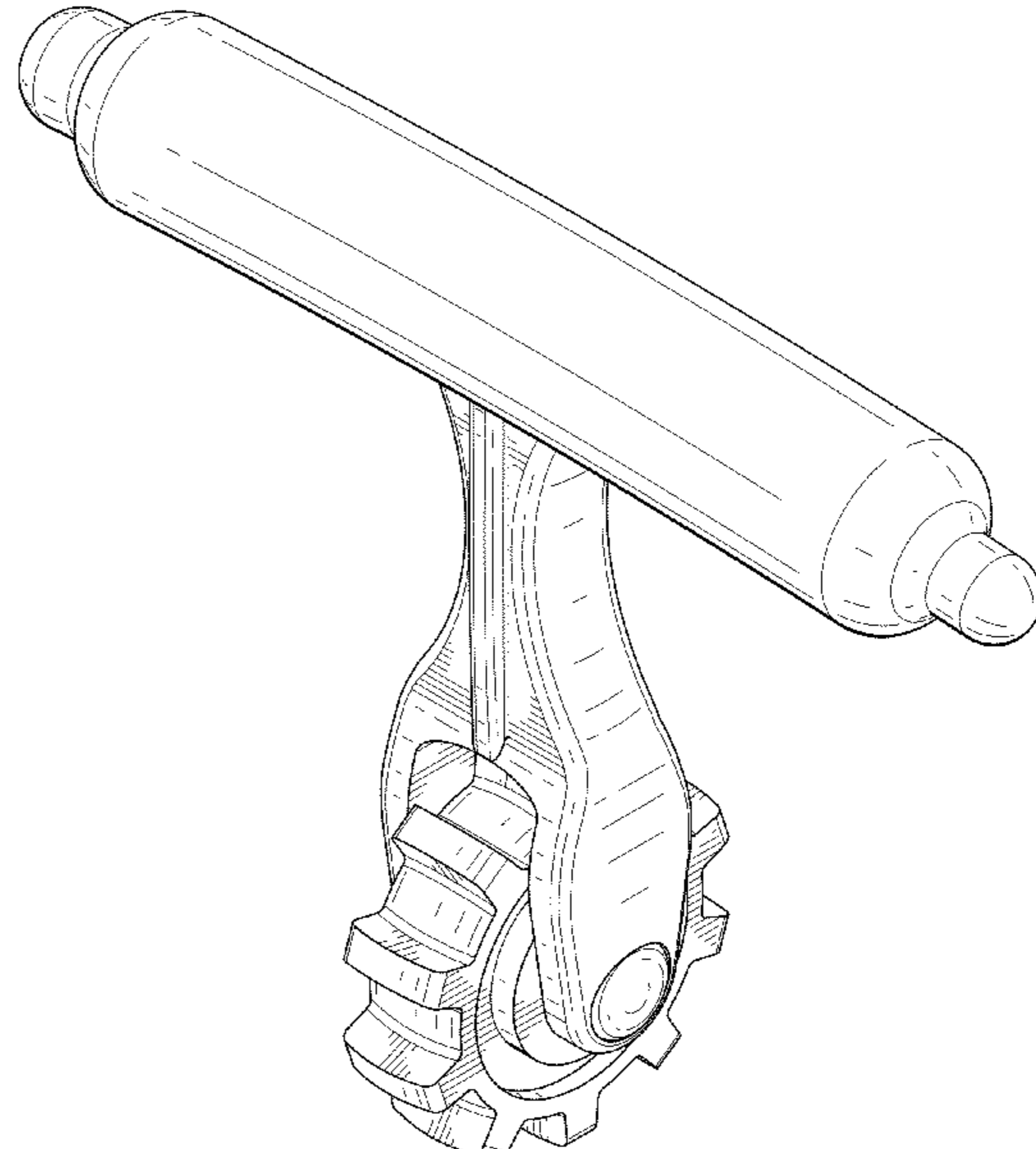
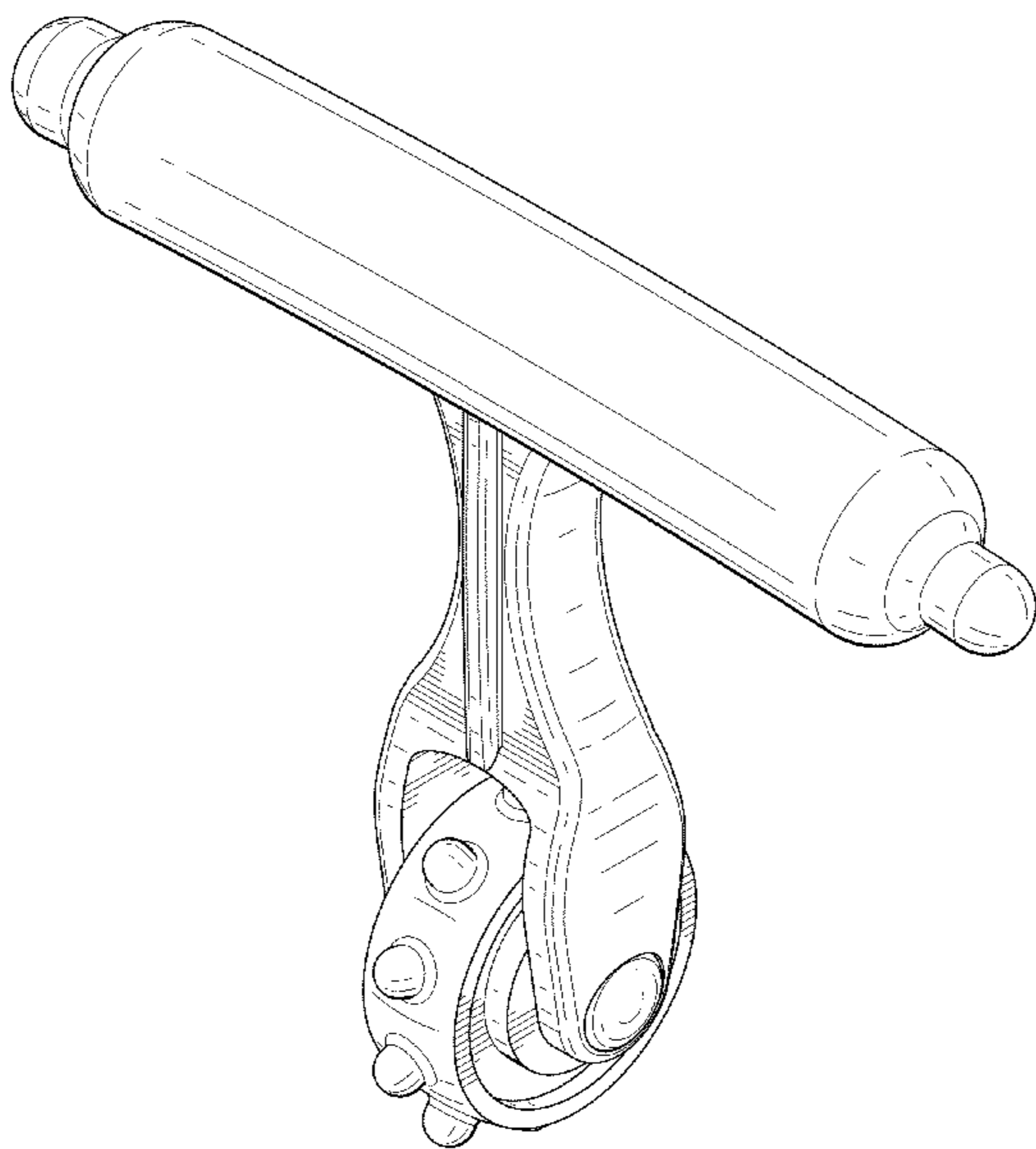
(57) **CLAIM**

The ornamental design for hand-held massager, as shown and described.

DESCRIPTION

FIG. 1 is an isometric view of a hand-held massager.
FIG. 2 is a front elevation view of the massager of FIG. 1.
FIG. 3 is a rear elevation view of the massager of FIG. 1.
FIG. 4 is a left side elevation view the massager of FIG. 1.
FIG. 5 is a right side elevation view of the massager of FIG. 1.
FIG. 6 is a top plan view of the massager of FIG. 1.
FIG. 7 is a bottom plan view of the massager of FIG. 1.
FIG. 8 is an isometric view of a hand-held massager.
FIG. 9 is a front elevation view of the massager of FIG. 8.
FIG. 10 is a rear elevation view of the massager of FIG. 8.
FIG. 11 is a left side elevation view the massager of FIG. 8.
FIG. 12 is a right side elevation view of the massager of FIG. 8.
FIG. 13 is a top plan view of the massager of FIG. 8; and,
FIG. 14 is a bottom plan view of the massager of FIG. 8.
The broken lines illustrate environmental structure that form no part of the claimed design.

1 Claim, 10 Drawing Sheets



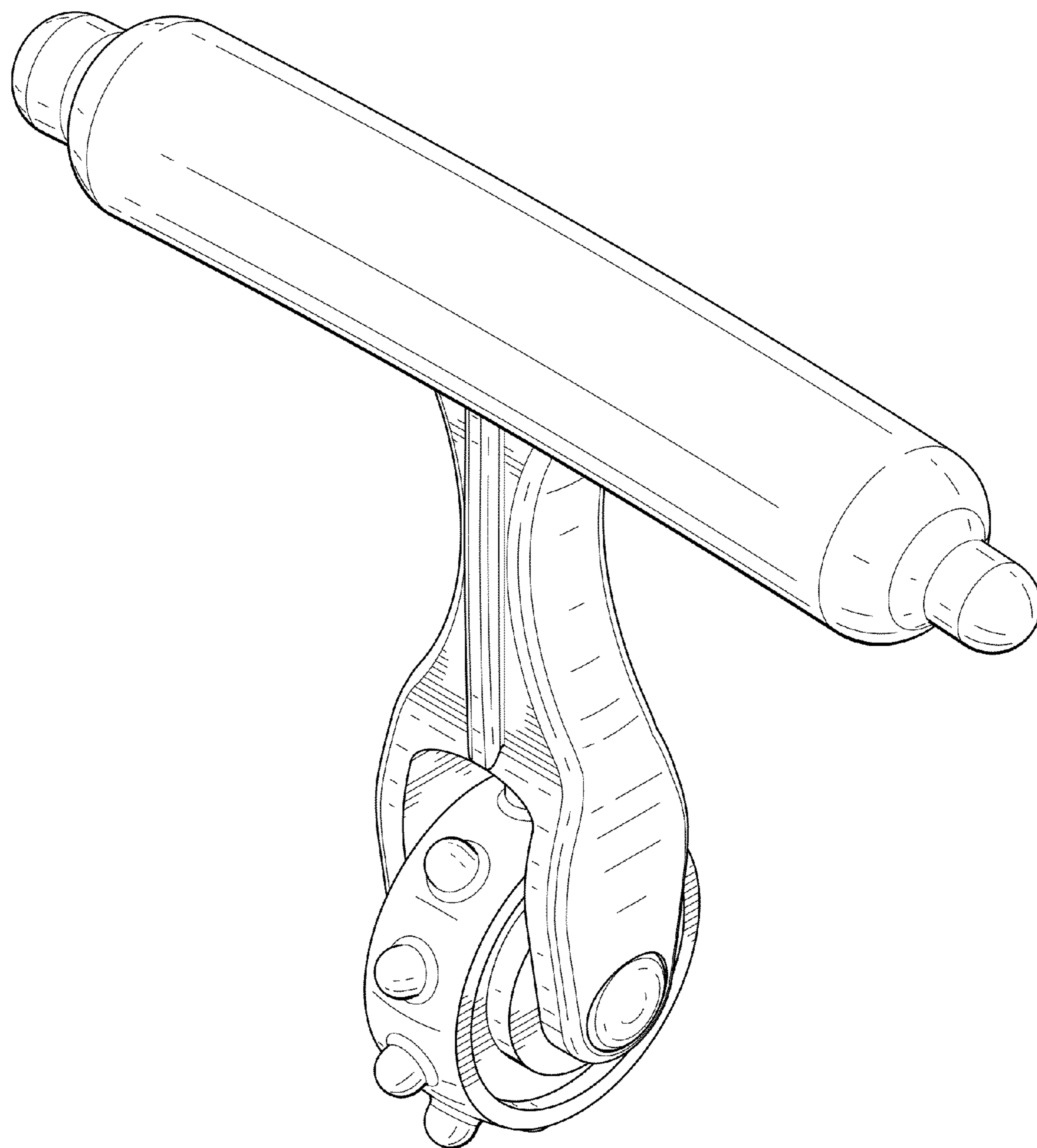


FIG. 1

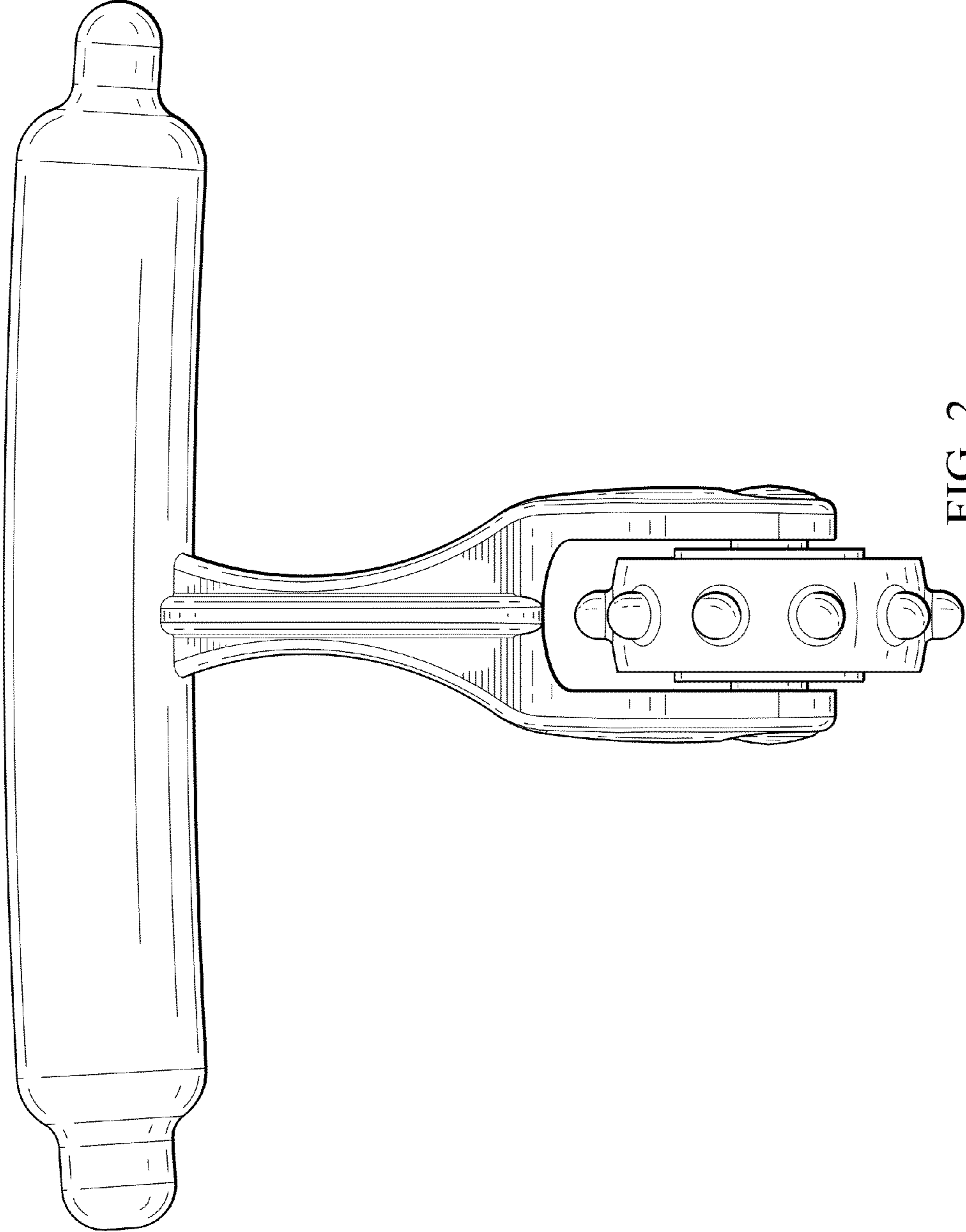


FIG. 2

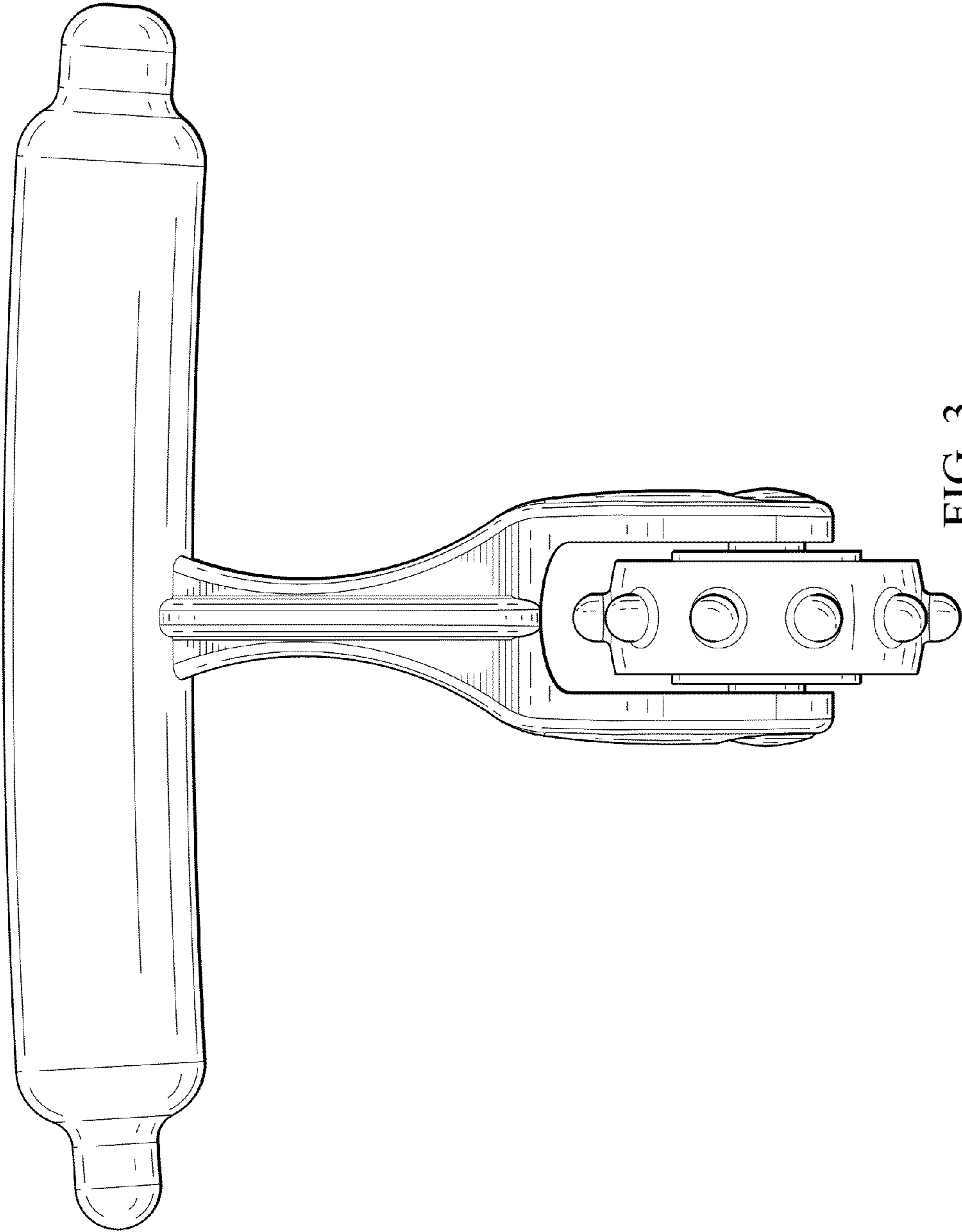


FIG. 3

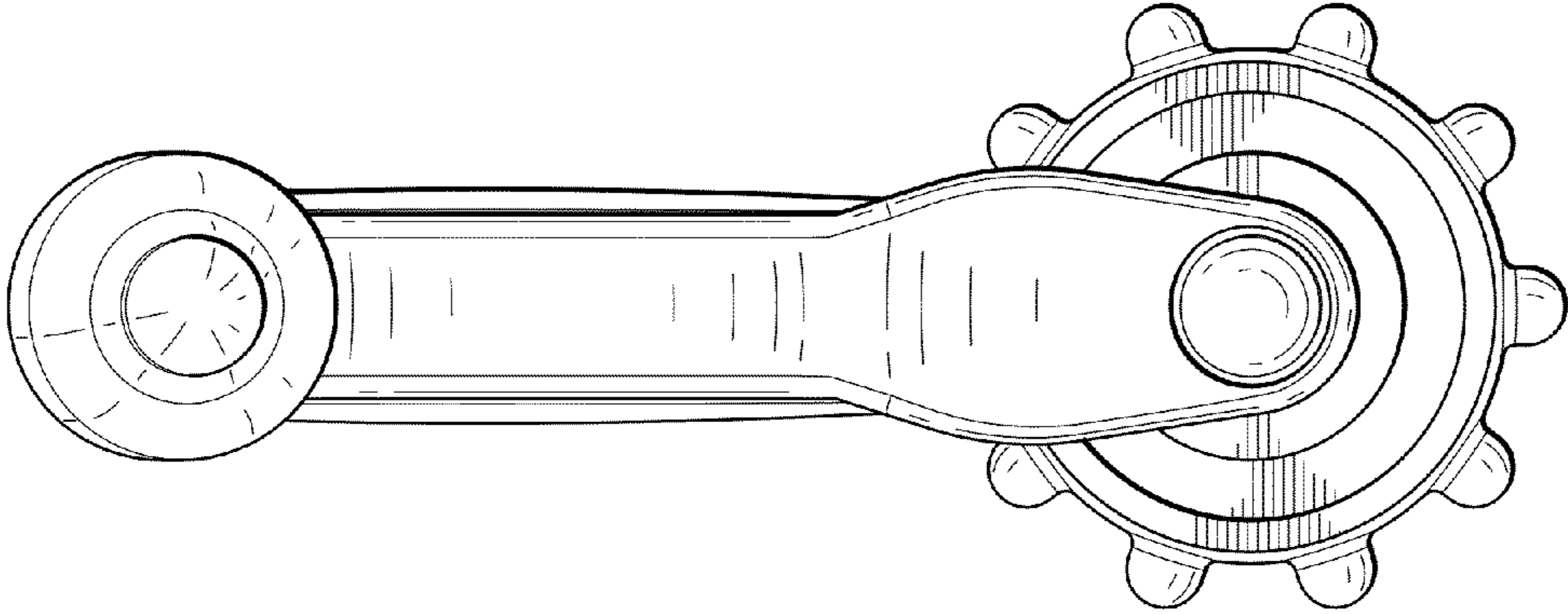


FIG. 5

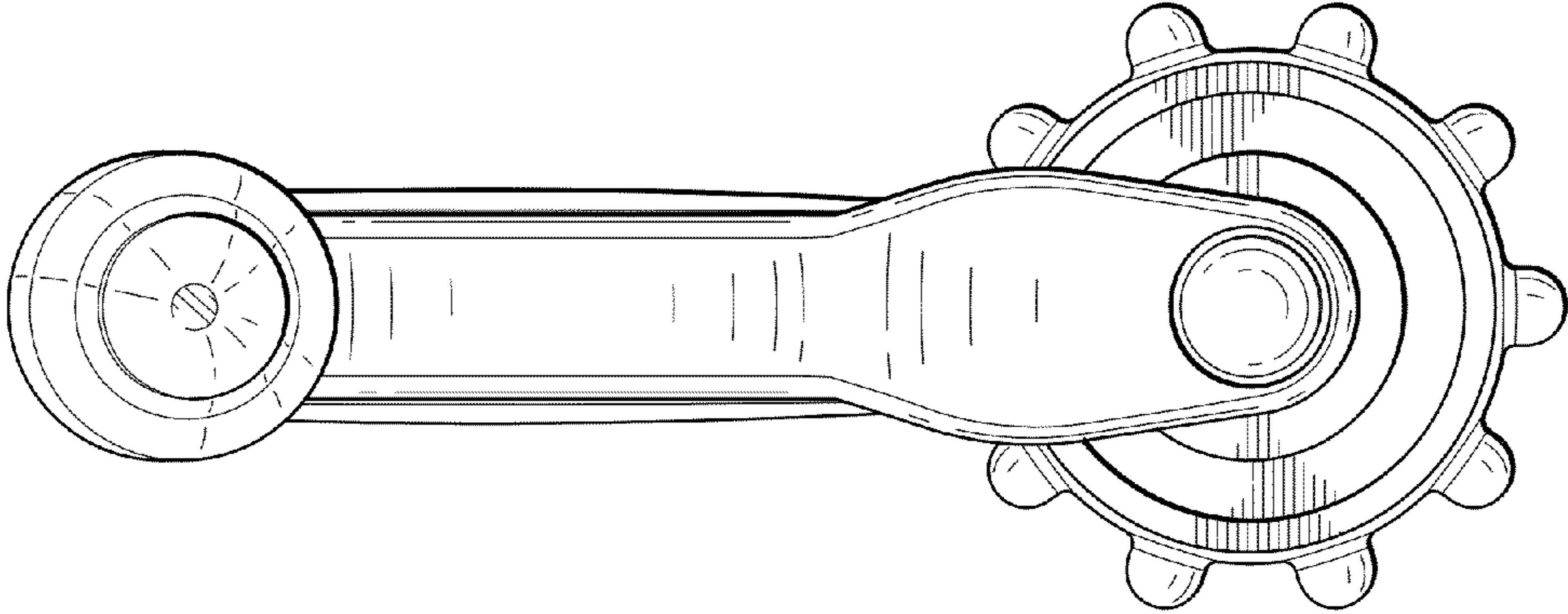


FIG. 4

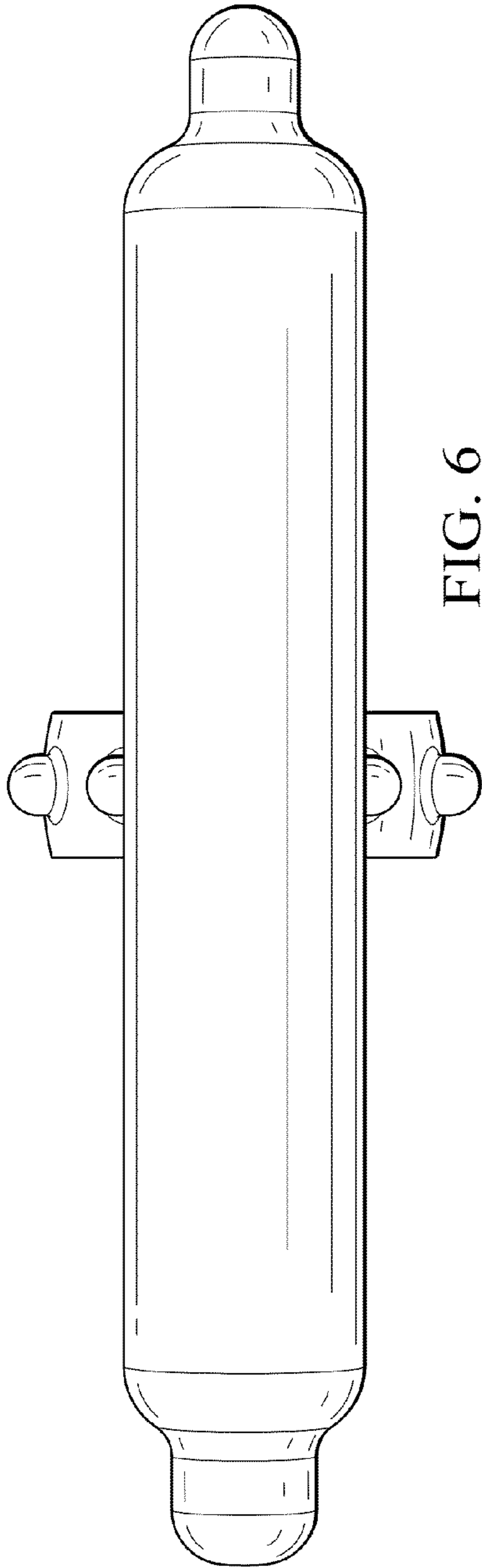


FIG. 6

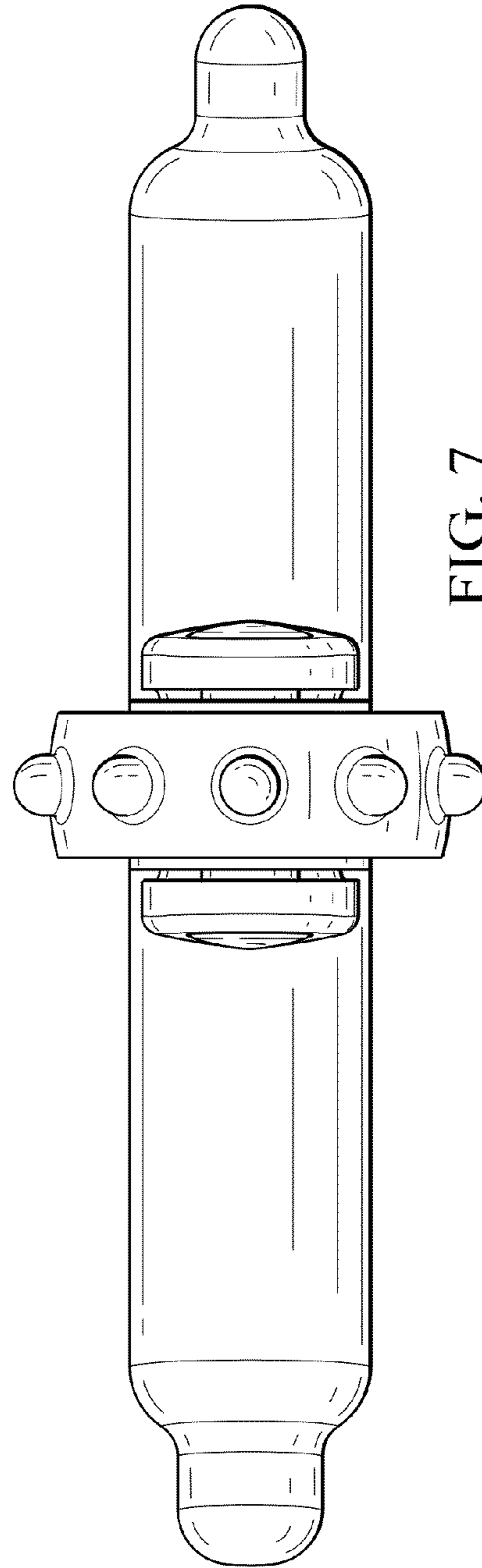


FIG. 7

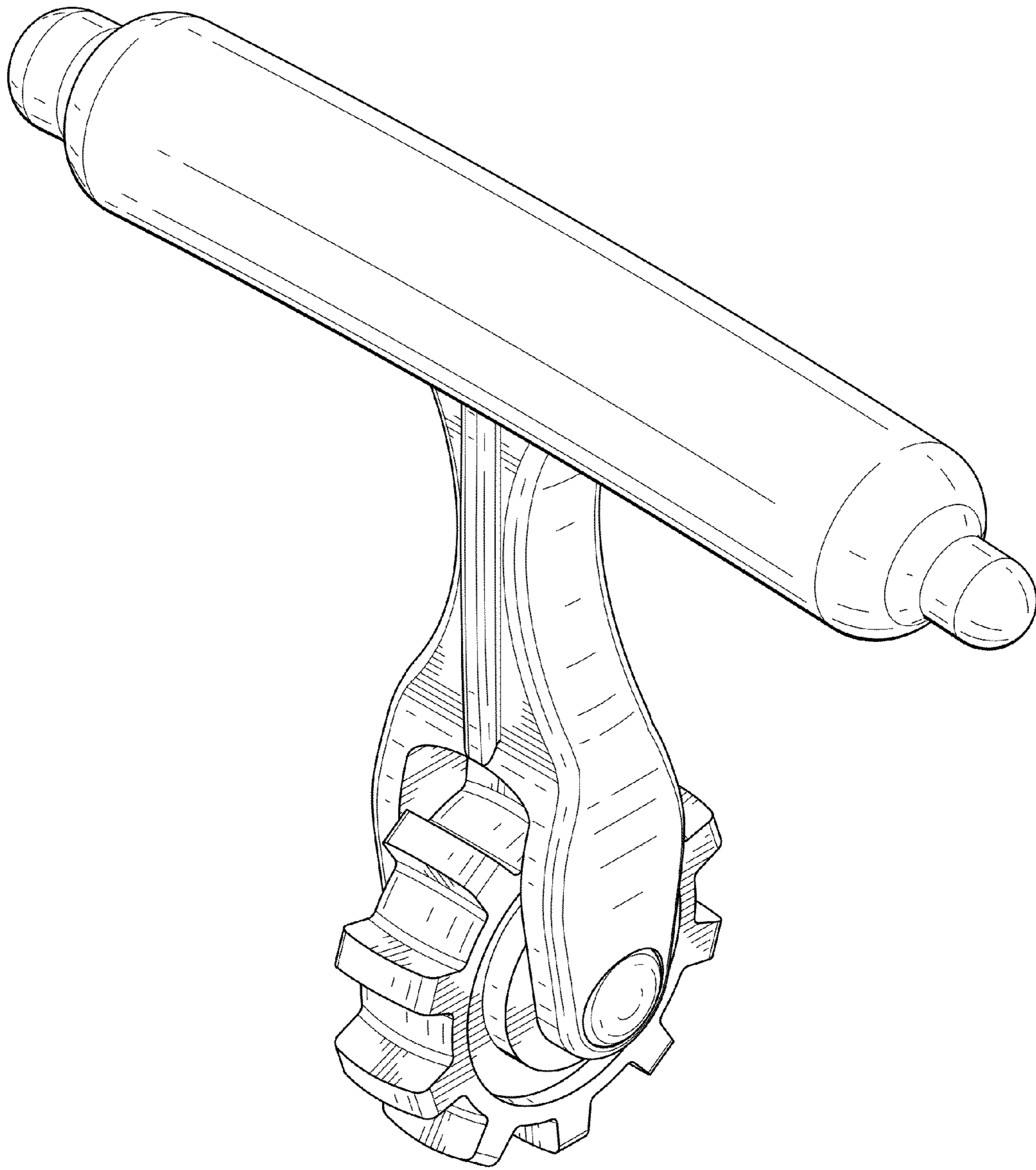


FIG. 8

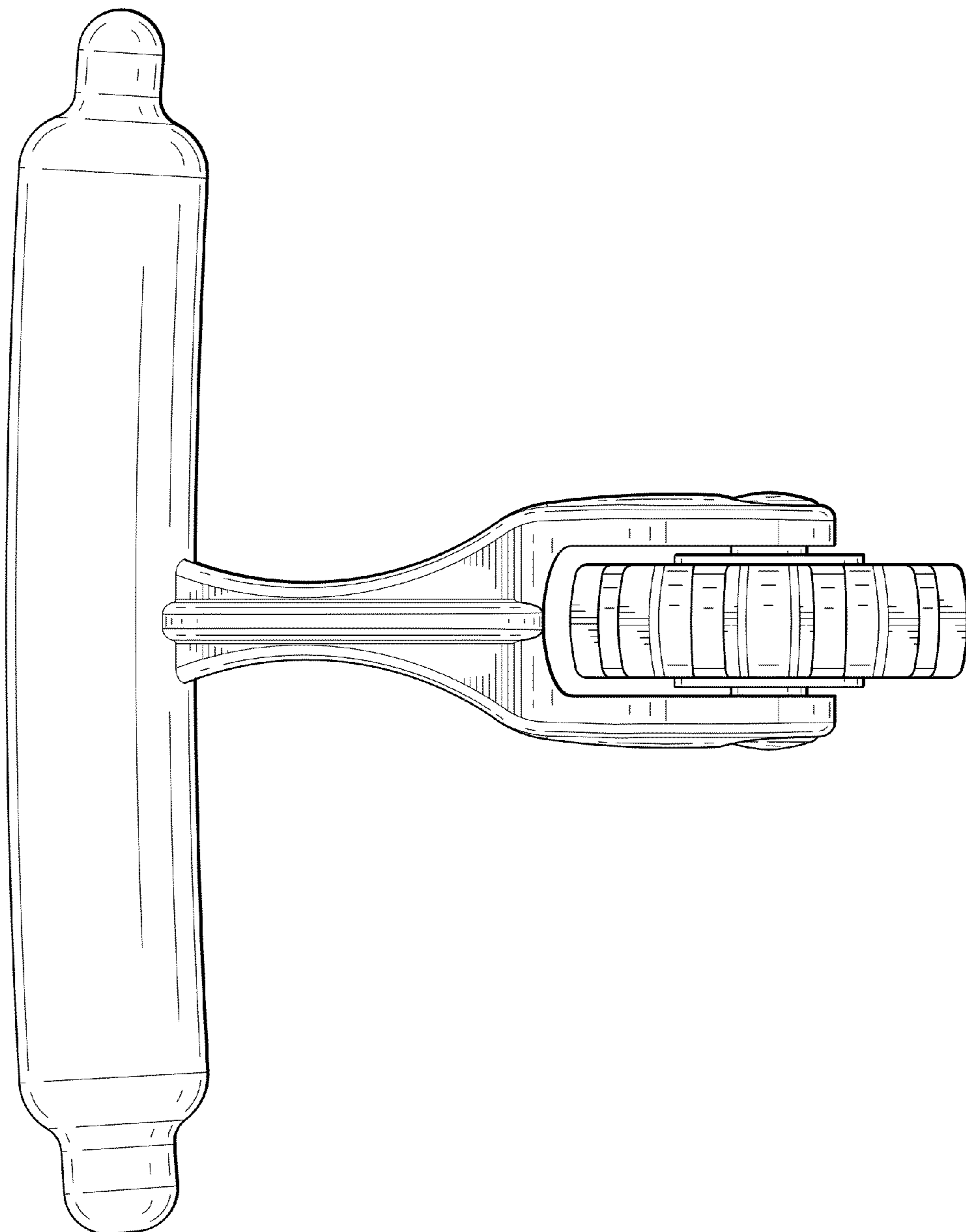


FIG. 9

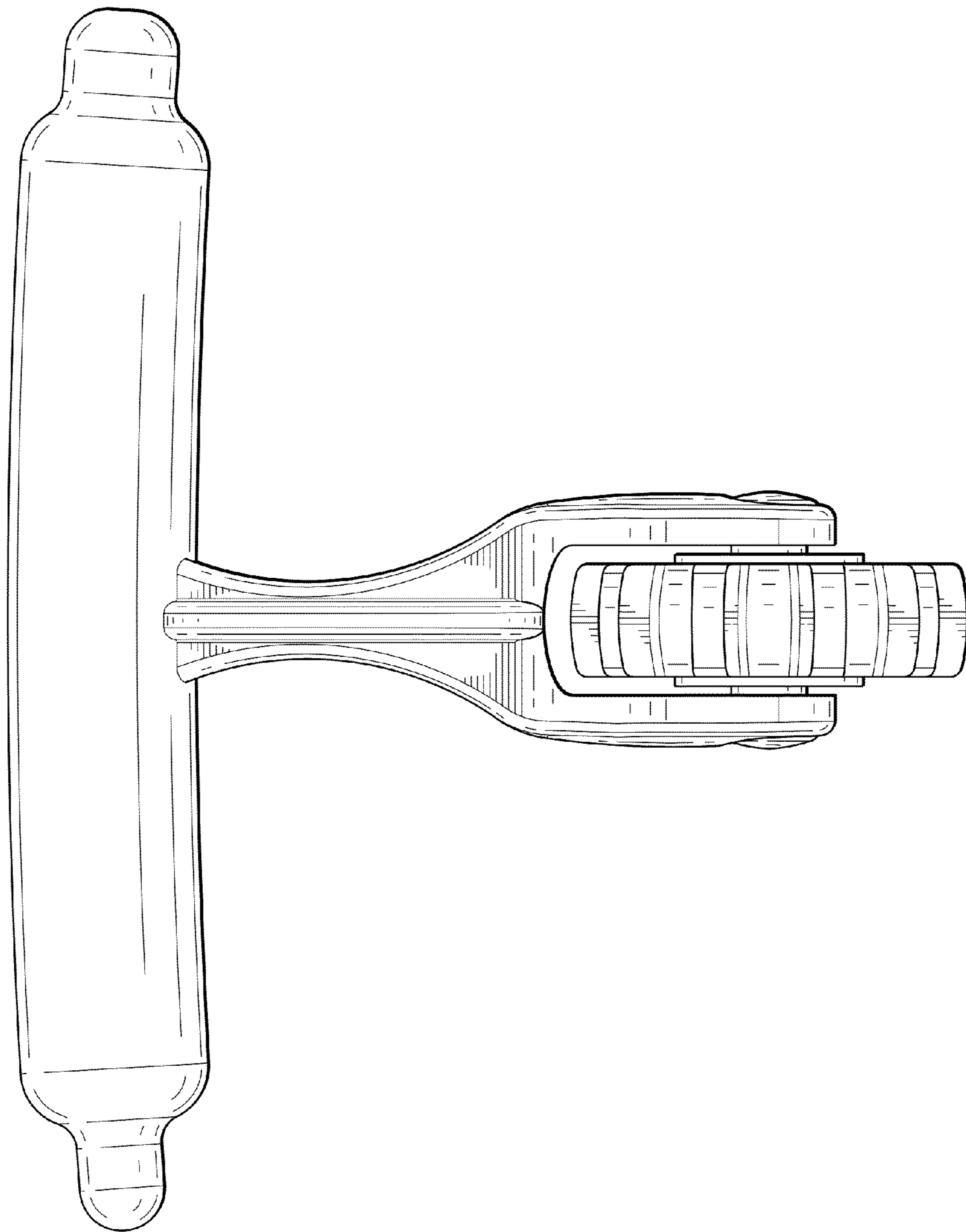


FIG. 10

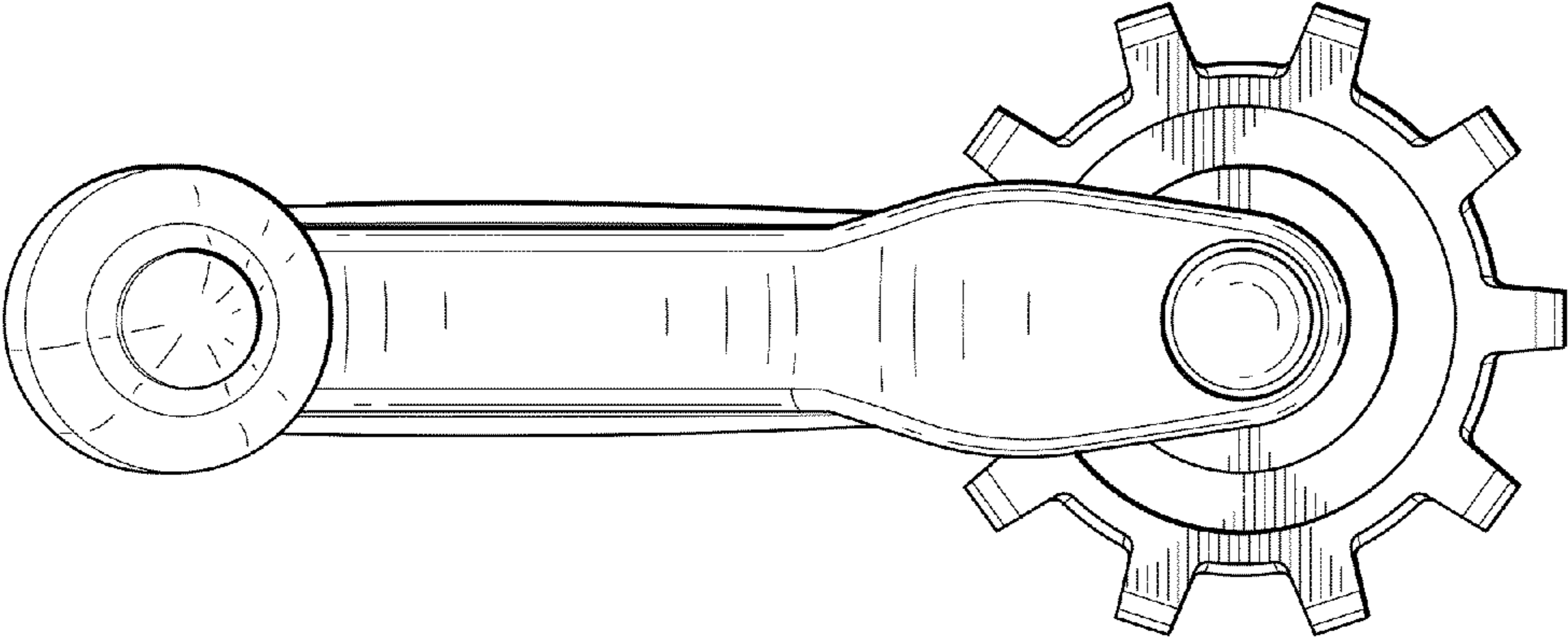


FIG. 12

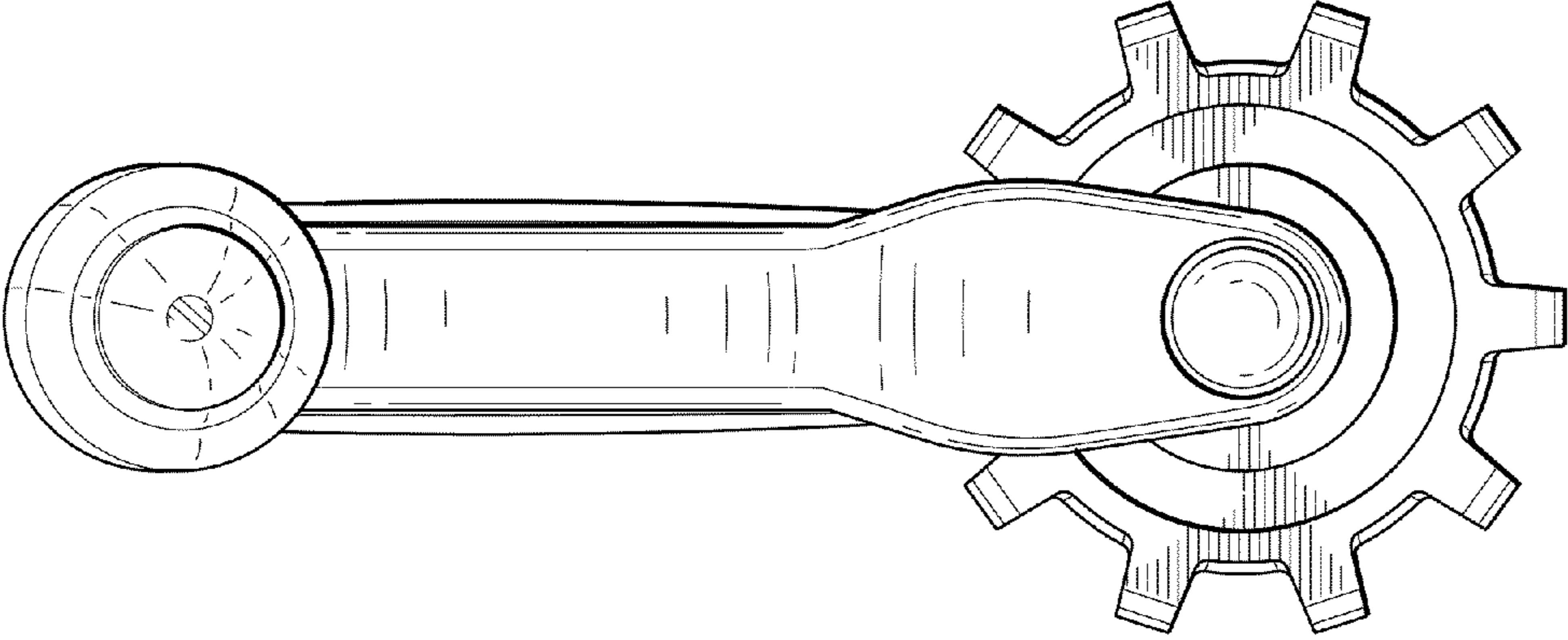


FIG. 11

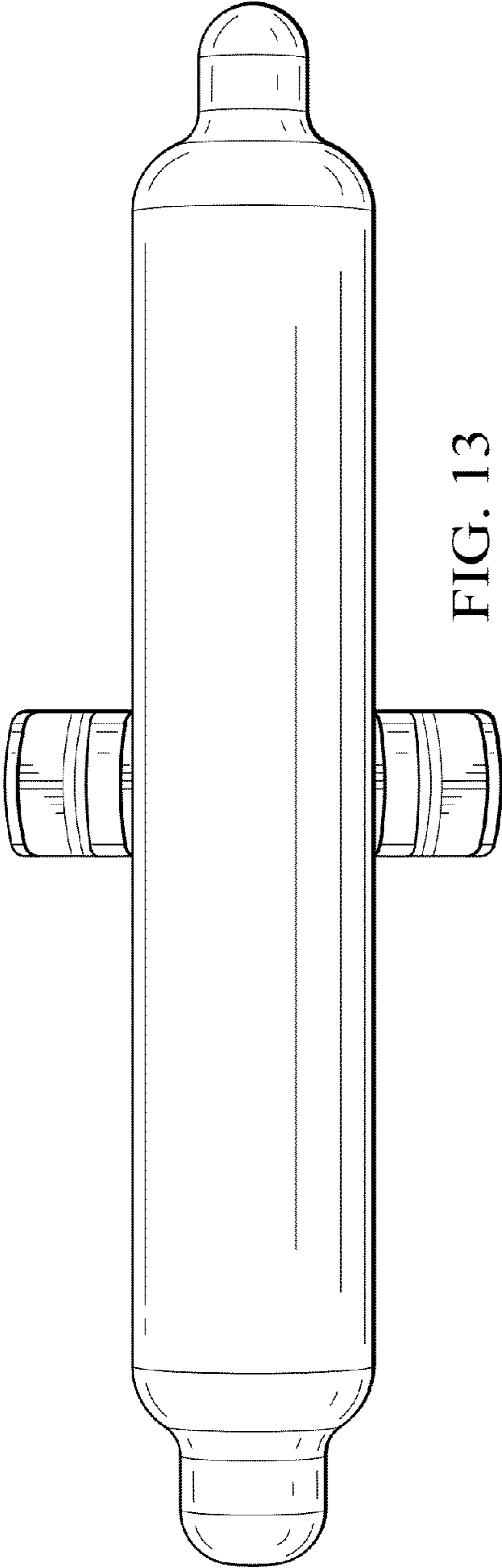


FIG. 13

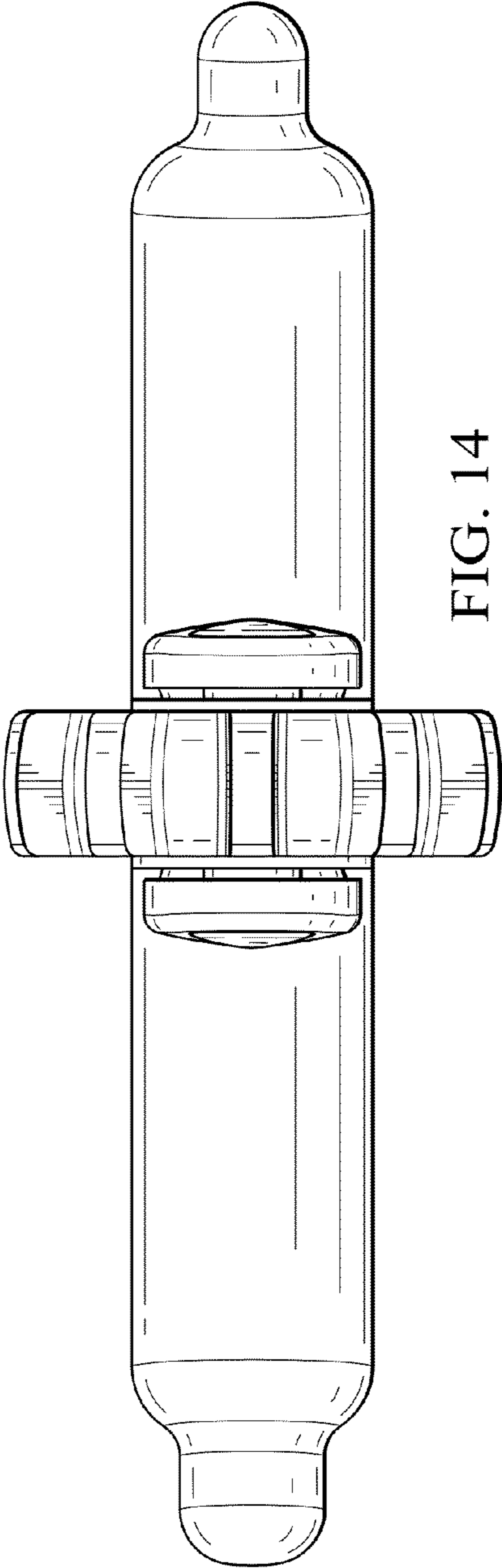


FIG. 14