



US00D735347S

(12) **United States Design Patent**  
**Nygaard et al.**

(10) **Patent No.:** **US D735,347 S**  
(45) **Date of Patent:** **\*\* Jul. 28, 2015**

- (54) **SPA LEDGE WITH SPILL SILL**
- (71) Applicant: **MAAX SPAS INDUSTRIES CORPORATION**, Chandler, AZ (US)
- (72) Inventors: **Emil Allen Nygaard**, Chandler, AZ (US); **Robert Lange**, Mesa, AZ (US)
- (73) Assignee: **MAAX SPAS INDUSTRIES CORPORATION**, Chandler, AZ (US)

(\*\*) Term: **14 Years**

(21) Appl. No.: **29/435,499**

(22) Filed: **Oct. 24, 2012**

(51) **LOC (10) Cl.** ..... **23-02**

(52) **U.S. Cl.**  
USPC ..... **D24/205**

(58) **Field of Classification Search**  
USPC ..... D24/205, 204, 231, 201; D6/300, 702;  
D25/136; D15/135, 136; D23/275,  
D23/277, 280.1; 4/584, 613, 506, 541.1,  
4/596; 52/396.05; 49/504  
CPC ..... A61H 2033/041; A61H 2033/043;  
A61H 2033/045; A61H 33/6005; A61H  
2033/048; A61H 2033/047; A61H 2033/046;  
A61H 2033/044; A61H 33/02; A61H 33/0087;  
E04H 4/141  
See application file for complete search history.

(56) **References Cited**

**U.S. PATENT DOCUMENTS**

D235,722	S	*	7/1975	Retlick	.....	D6/300
D241,441	S	*	9/1976	Rosenhaus	.....	D23/277
4,982,530	A	*	1/1991	Palmer	.....	49/504
D376,852	S	*	12/1996	Allen	.....	D24/204
5,911,518	A	*	6/1999	Jurek et al.	.....	4/596
D445,262	S	*	7/2001	Rowan	.....	D6/300

D446,574	S	*	8/2001	Thomas et al.	.....	D23/280.1
D617,432	S	*	6/2010	Stanchak	.....	D23/277
D659,856	S	*	5/2012	Kligman	.....	D25/136
D660,442	S	*	5/2012	Sullivan	.....	D24/201
D674,221	S	*	1/2013	Kim	.....	D6/702
2005/0011153	A1	*	1/2005	Stegmeier	.....	52/396.05
2005/0050628	A1	*	3/2005	Mascheroni	.....	4/613
2005/0076429	A1	*	4/2005	Sugranes Arimany	.....	4/506
2005/0081290	A1	*	4/2005	Stimpson	.....	4/613
2008/0098509	A1	*	5/2008	Kantor et al.	.....	4/541.1
2011/0231991	A1	*	9/2011	Valdenaire	.....	4/613
2014/0109308	A1	*	4/2014	Nygaard et al.	.....	4/584

\* cited by examiner

*Primary Examiner* — Sheryl Lane

*Assistant Examiner* — Nicole Shiflet

(74) *Attorney, Agent, or Firm* — Griffiths & Seaton PLLC

(57) **CLAIM**

The ornamental design for a spa ledge with spill sill, as shown and described.

**DESCRIPTION**

FIG. 1 is a top view of a spa ledge with spill sill showing our new design;

FIG. 2 is a top, perspective view thereof;

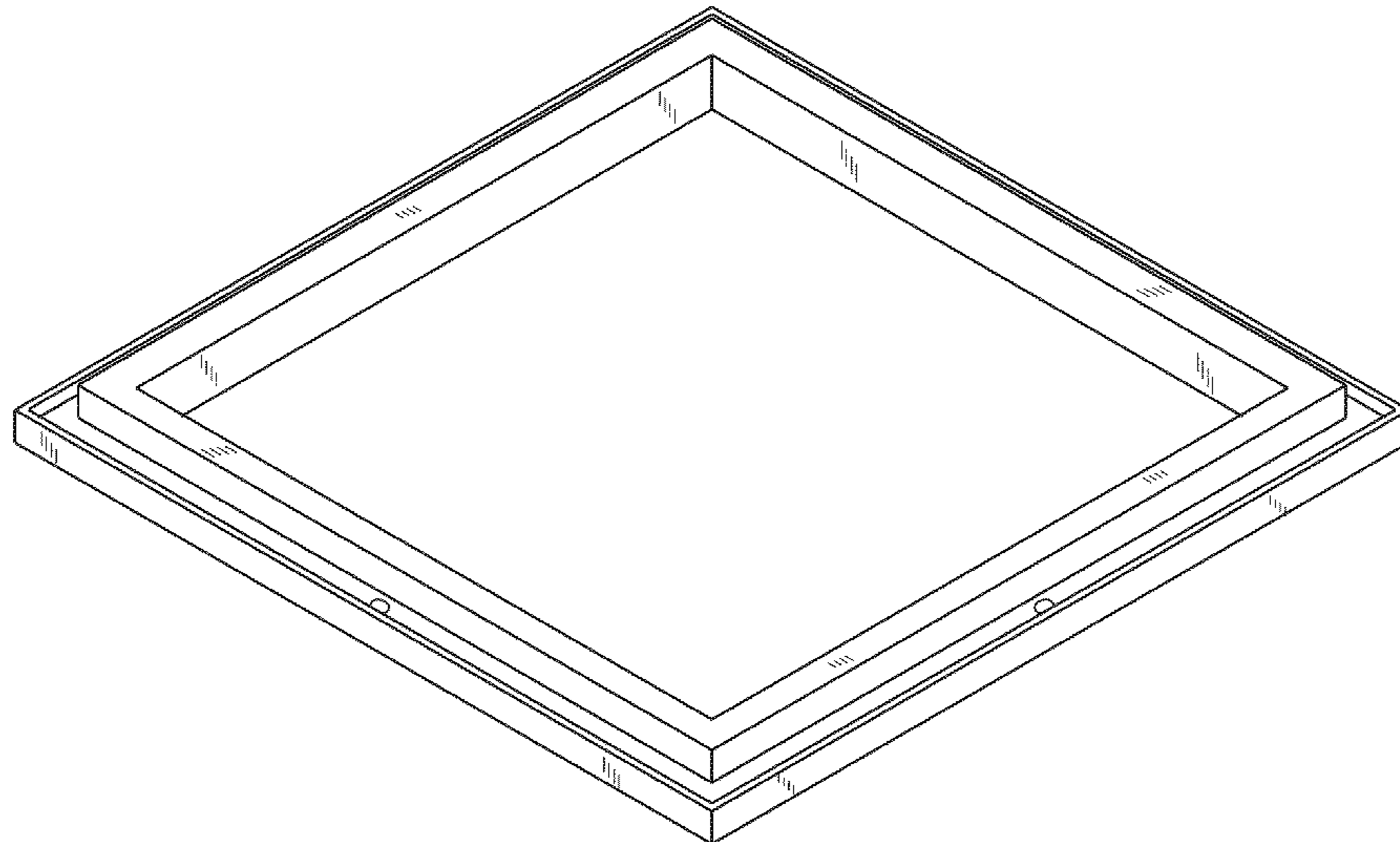
FIG. 3 is a side view thereof;

FIG. 4 is another top, perspective view thereof; and,

FIG. 5 is another top view thereof.

The features shown in broken lines are environmental subject matter to the spa ledge with spill sill or portions of the spa ledge with spill sill forming no part of the claimed design. The features shown in long dash-short dash bolded broken lines indicate the bounds of the claimed design and otherwise form no part of the claimed design. None of the bottom surfaces of the spa ledge with spill sill are intended to be claimed, and therefore, the bottom view has been omitted from this application.

**1 Claim, 4 Drawing Sheets**



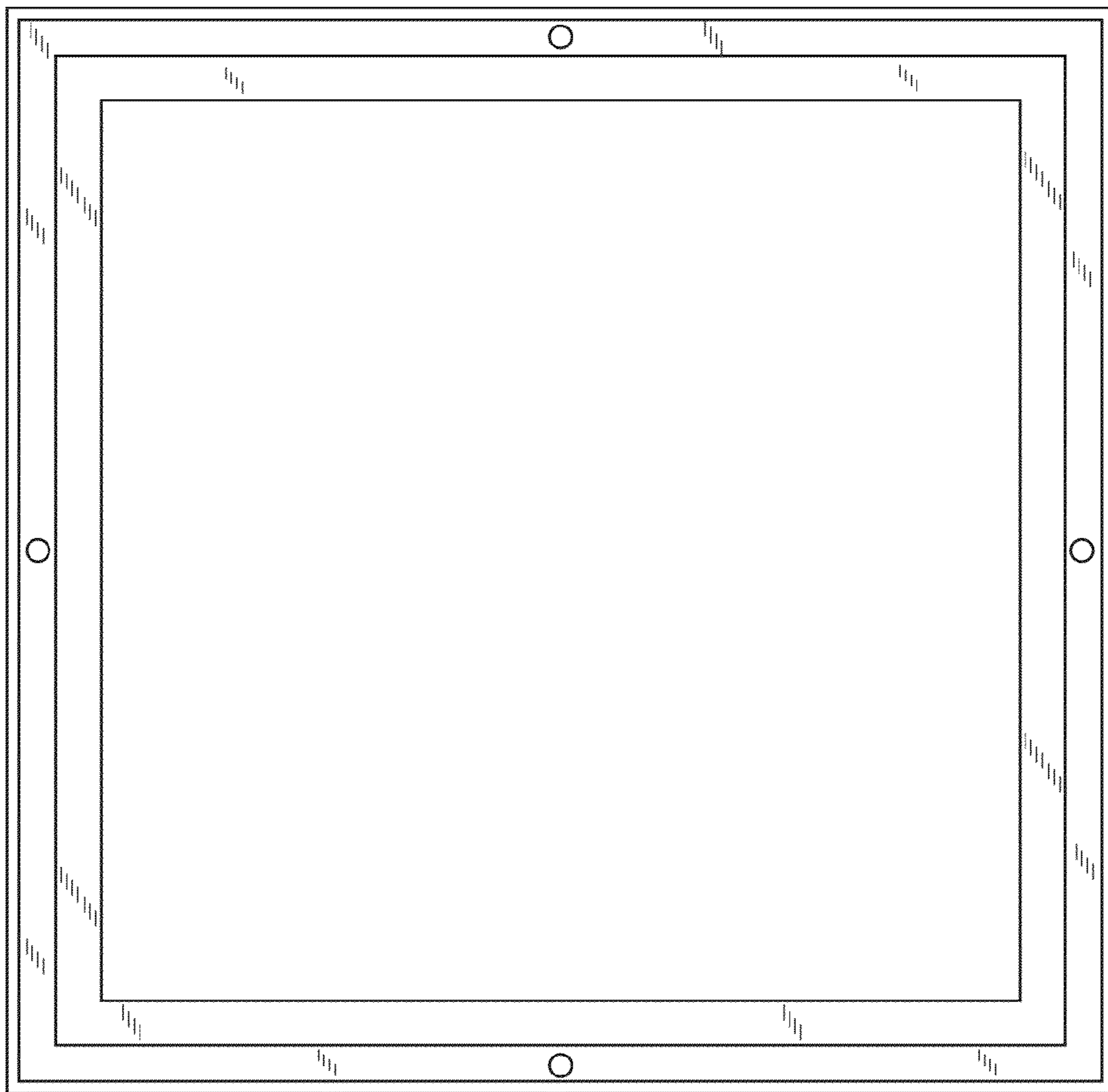


Fig. 1

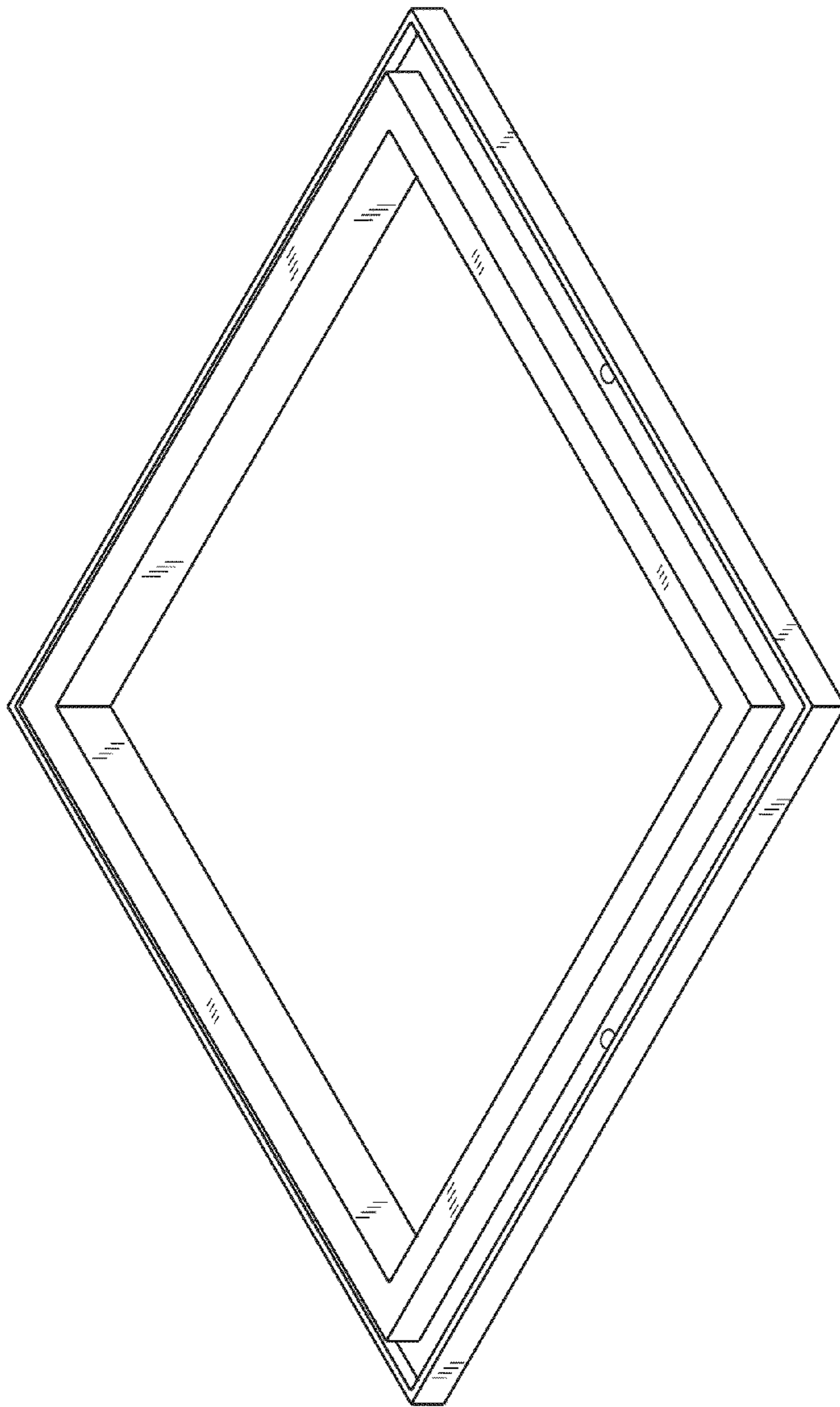


Fig. 2

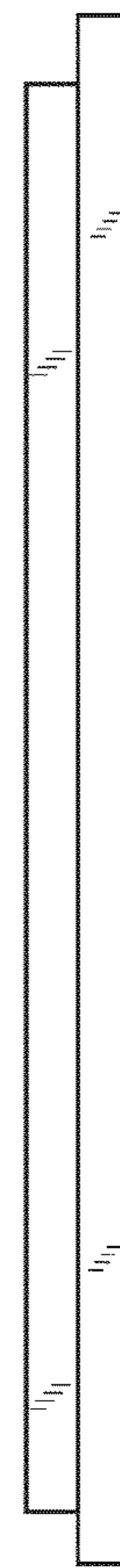


Fig. 3

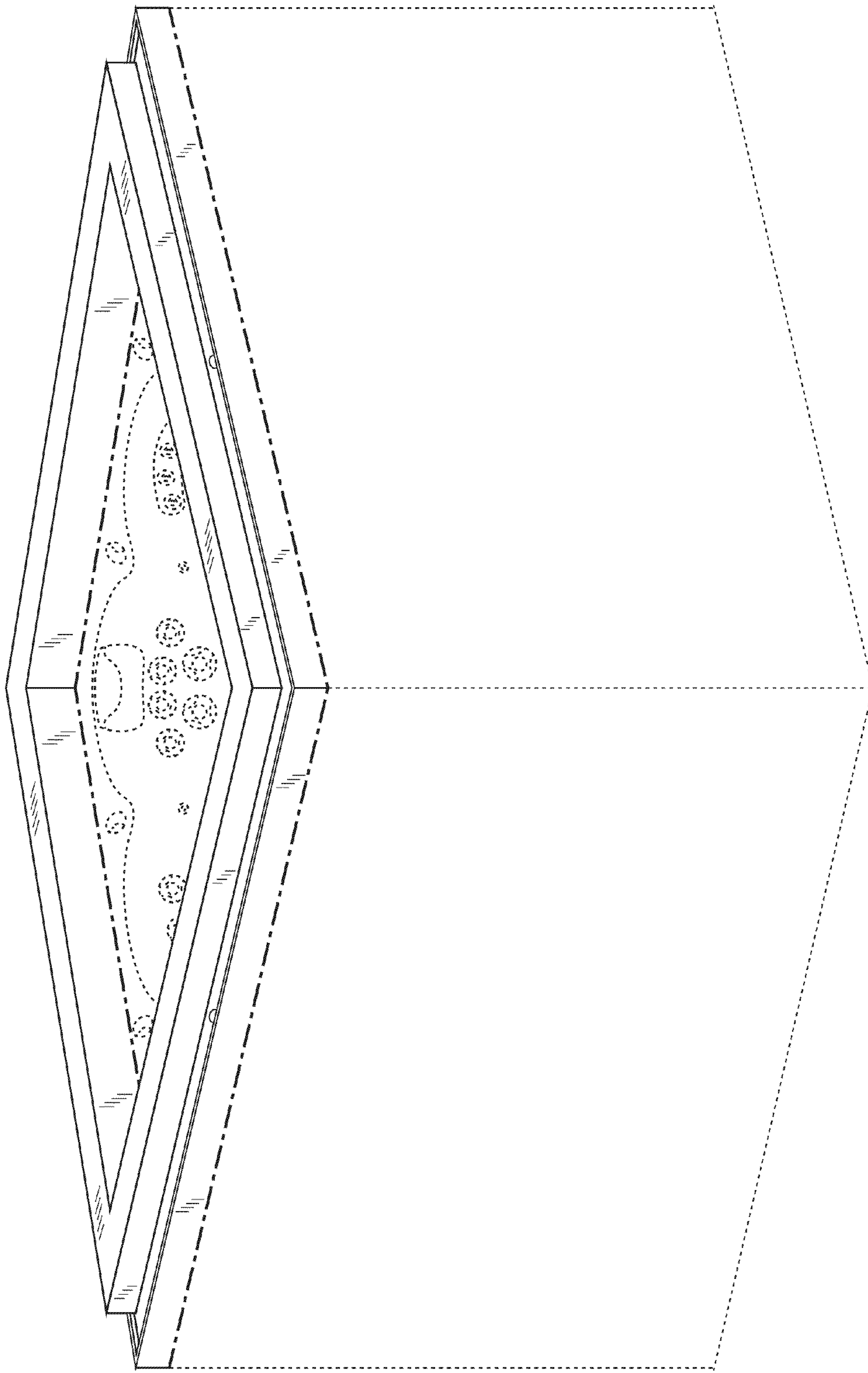


Fig. 4

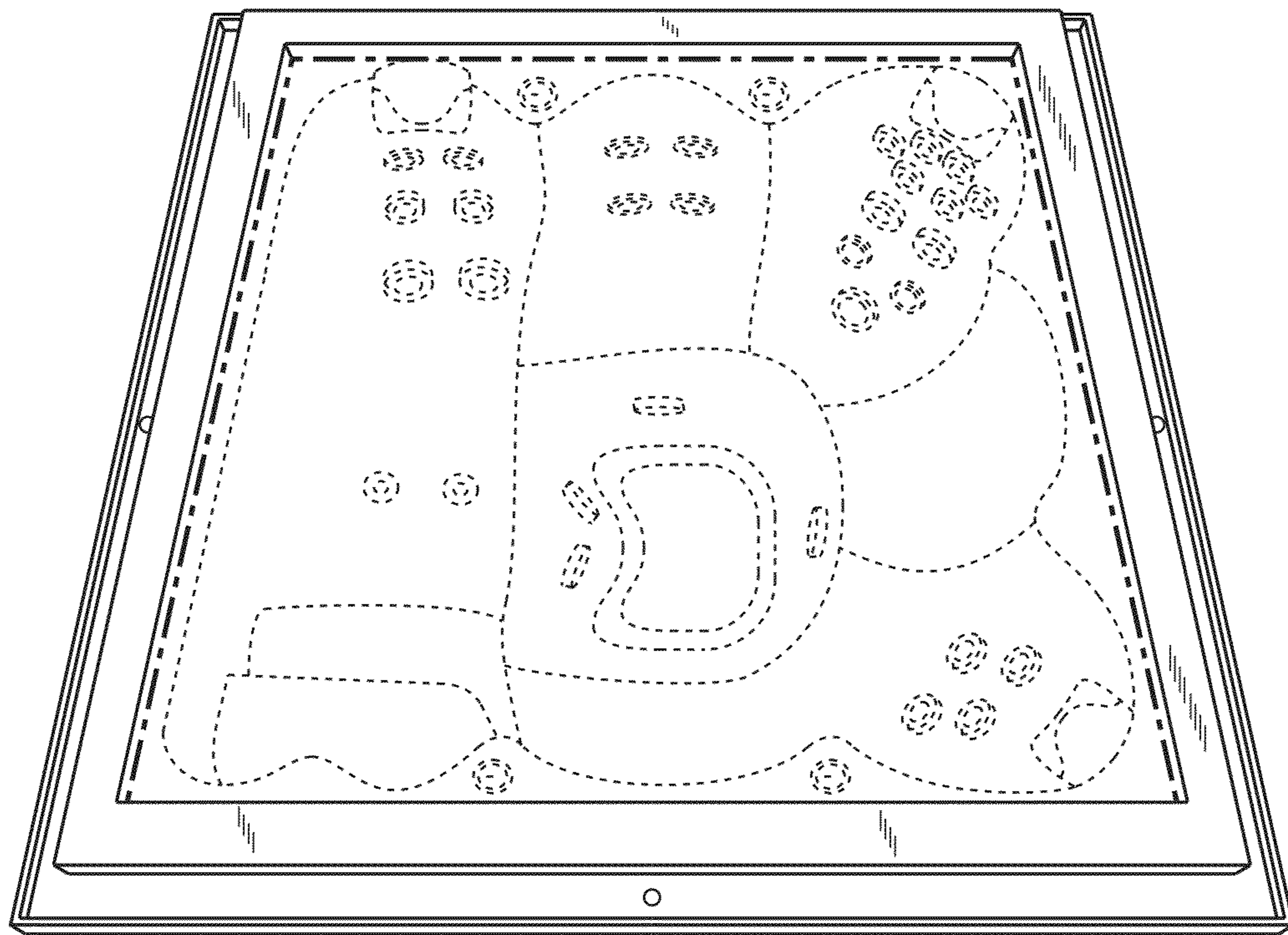


Fig. 5