



US00D735346S

(12) **United States Design Patent**
Cotton

(10) **Patent No.:** **US D735,346 S**
(45) **Date of Patent:** **** Jul. 28, 2015**

(54) **NIPPLE PROTECTOR**
(71) Applicant: **BRIGHTWAKE LIMITED,**
Nottinghamshire (GB)
(72) Inventor: **Stephen Cotton,** Nottingham (GB)
(73) Assignee: **BRIGHTWAKE LIMITED,**
Kirkby-in-Ashfield, Nottinghamshire
(GB)

6,945,966 B2 * 9/2005 Mikami 604/346
7,052,358 B2 * 5/2006 Alessi 450/37
D550,851 S * 9/2007 Roehrig D24/199
D594,971 S * 6/2009 Senkpiel D24/124
D598,117 S * 8/2009 Yamashita et al. D24/190
D636,870 S * 4/2011 Carroll D24/124
8,720,713 B2 * 5/2014 Olshansky 215/11.6
2002/0022815 A1 * 2/2002 Yamaji 604/385.07
2003/0220048 A1 * 11/2003 Toro et al. 450/57
2004/0058619 A1 * 3/2004 Spiezio et al. 450/57
2007/0083180 A1 * 4/2007 Sakaguchi et al. 604/385.07
2009/0308405 A1 * 12/2009 Yamashita 128/890

(**) Term: **14 Years**

* cited by examiner

(21) Appl. No.: **29/478,183**

Primary Examiner — T. Chase Nelson

(22) Filed: **Jan. 2, 2014**

Assistant Examiner — Michelle E Wilson

(30) **Foreign Application Priority Data**

Mar. 7, 2013 (EP) 002265959-0001
Jul. 3, 2013 (EP) 002265959-0002
Jul. 3, 2013 (EP) 002265959-0003

(74) *Attorney, Agent, or Firm* — Young Basile

(51) **LOC (10) Cl.** **24-04**

(57) **CLAIM**

The ornamental design for a nipple protector, as shown and described.

(52) **U.S. Cl.**
USPC **D24/189**

DESCRIPTION

(58) **Field of Classification Search**
USPC D24/188–190, 193–199; D29/100,
D29/101.3; 128/888–890; 215/11.1–11.6;
450/36–39, 53, 57, 86; D2/708; 2/23
See application file for complete search history.

FIG. 1 is a perspective view of a nipple protector showing my new design;
FIG. 2 is a top plan view thereof;
FIG. 3 is a bottom plan view thereof;
FIG. 4 is a side view thereof;
FIG. 5 is a bottom plan view of a second embodiment of FIG. 1, the only difference being the use of an opaque material, it being understood that all other surfaces are the same as those of the first embodiment;
FIG. 6 is a top plan view of a third embodiment of FIG. 5, the only difference being the use of an opaque material, it being understood that all other surfaces are the same as those of the second embodiment; and,
FIG. 7 is a side view of FIG. 6.

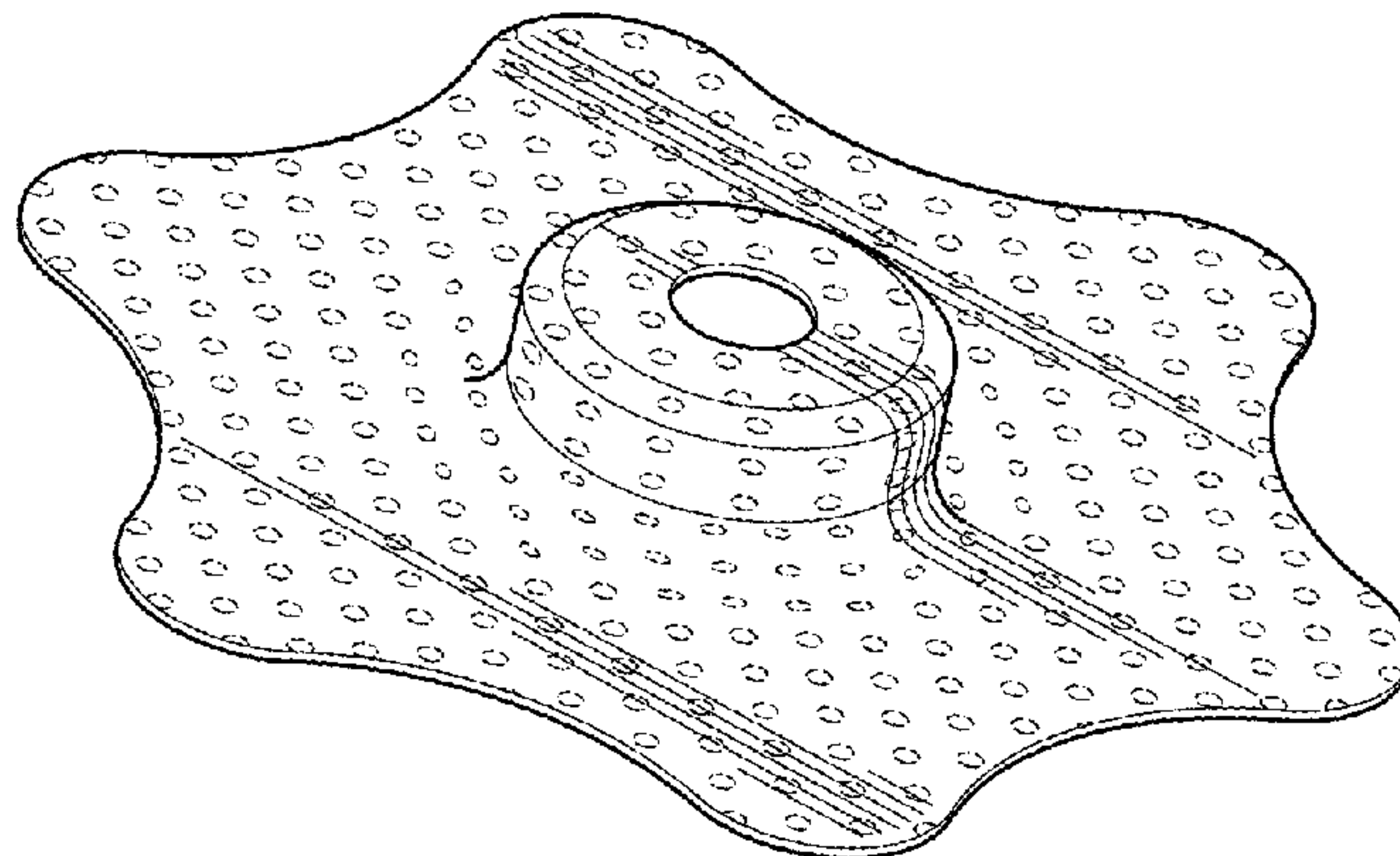
(56) **References Cited**

U.S. PATENT DOCUMENTS

2,748,771 A * 6/1956 Richards 604/346
3,356,090 A * 12/1967 Plantinga et al. 604/368
D246,729 S * 12/1977 Murphy D24/109
4,193,404 A * 3/1980 Repke et al. 604/366
5,149,336 A * 9/1992 Clarke et al. 604/388
D347,278 S * 5/1994 Higa D24/124
5,690,536 A * 11/1997 Madden et al. 450/37
6,695,678 B1 * 2/2004 Foley et al. 450/57

The broken lines shown on the nipple protector illustrate the environment of the claimed design as well as unclaimed portions of the design, and form no part thereof.

1 Claim, 3 Drawing Sheets



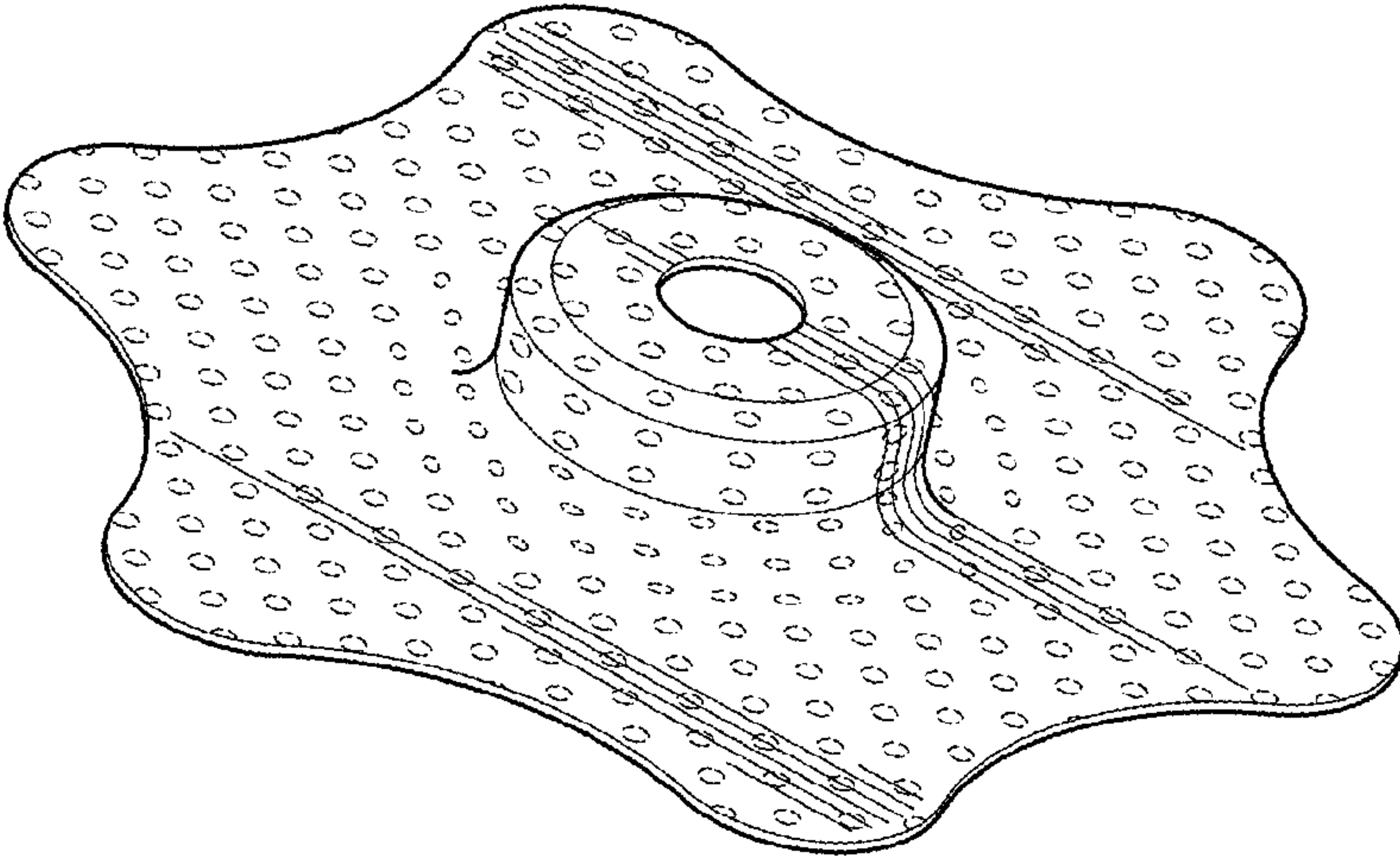


FIG. 1

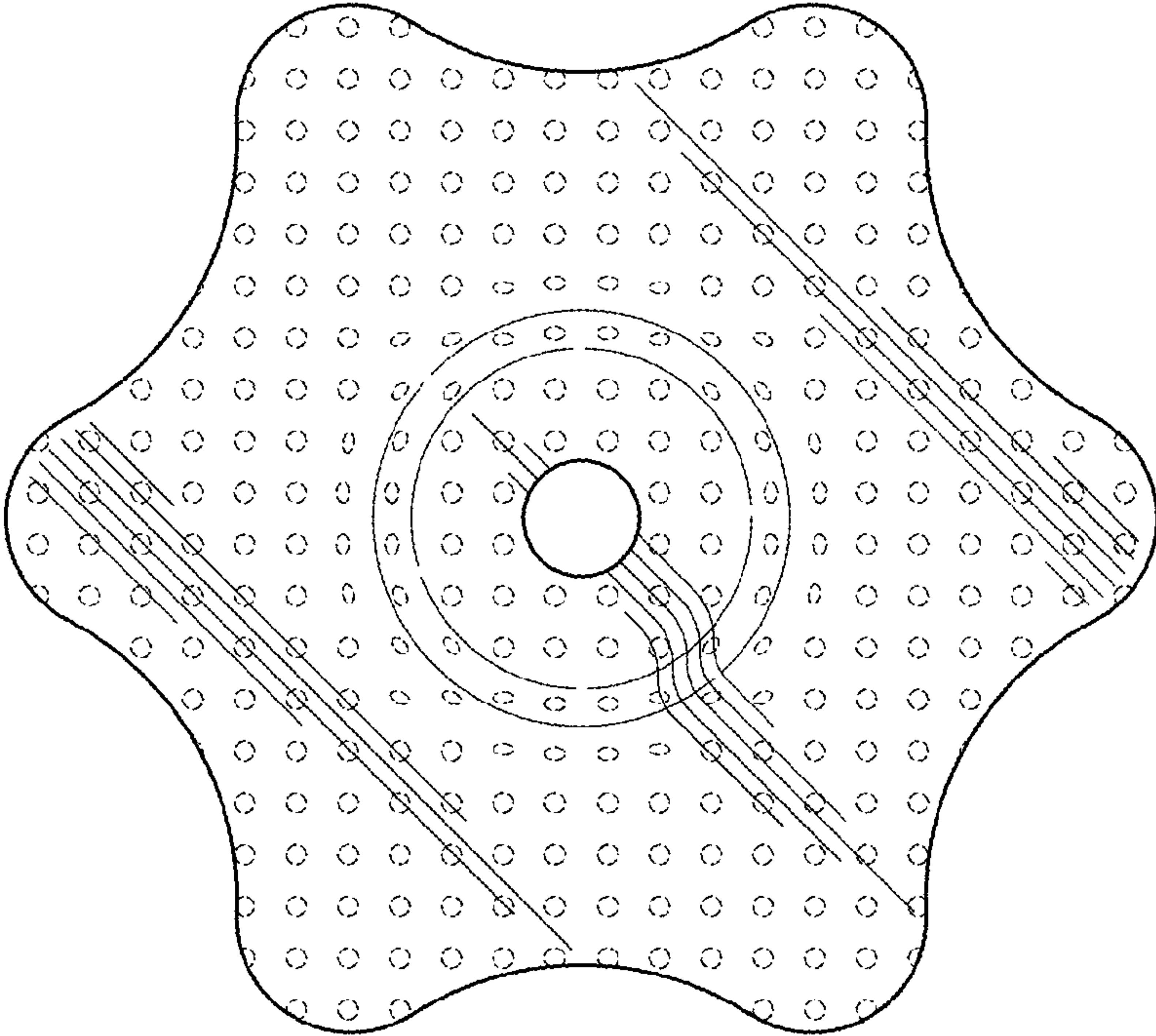


FIG. 2

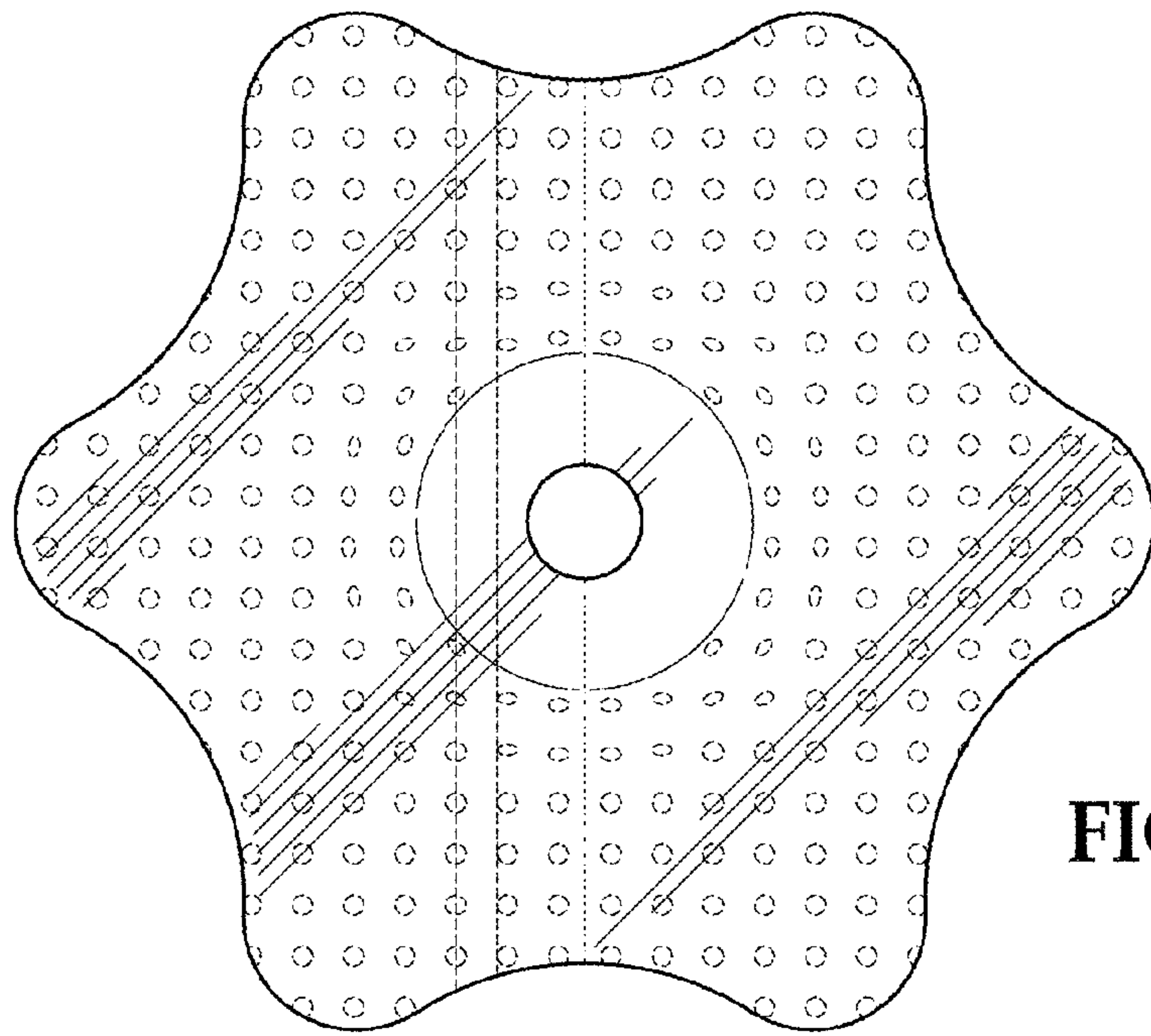


FIG. 3



FIG. 4

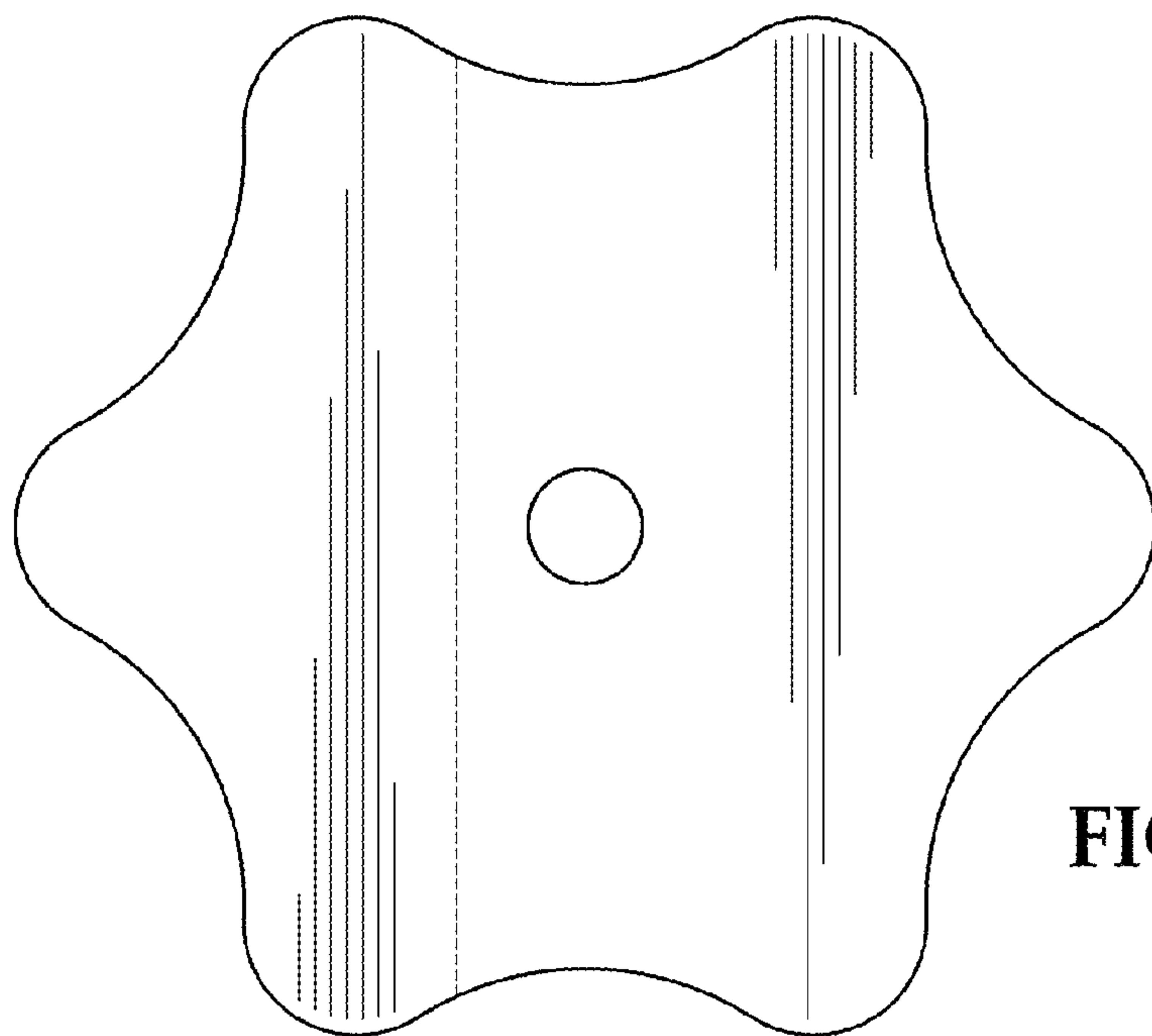


FIG. 5

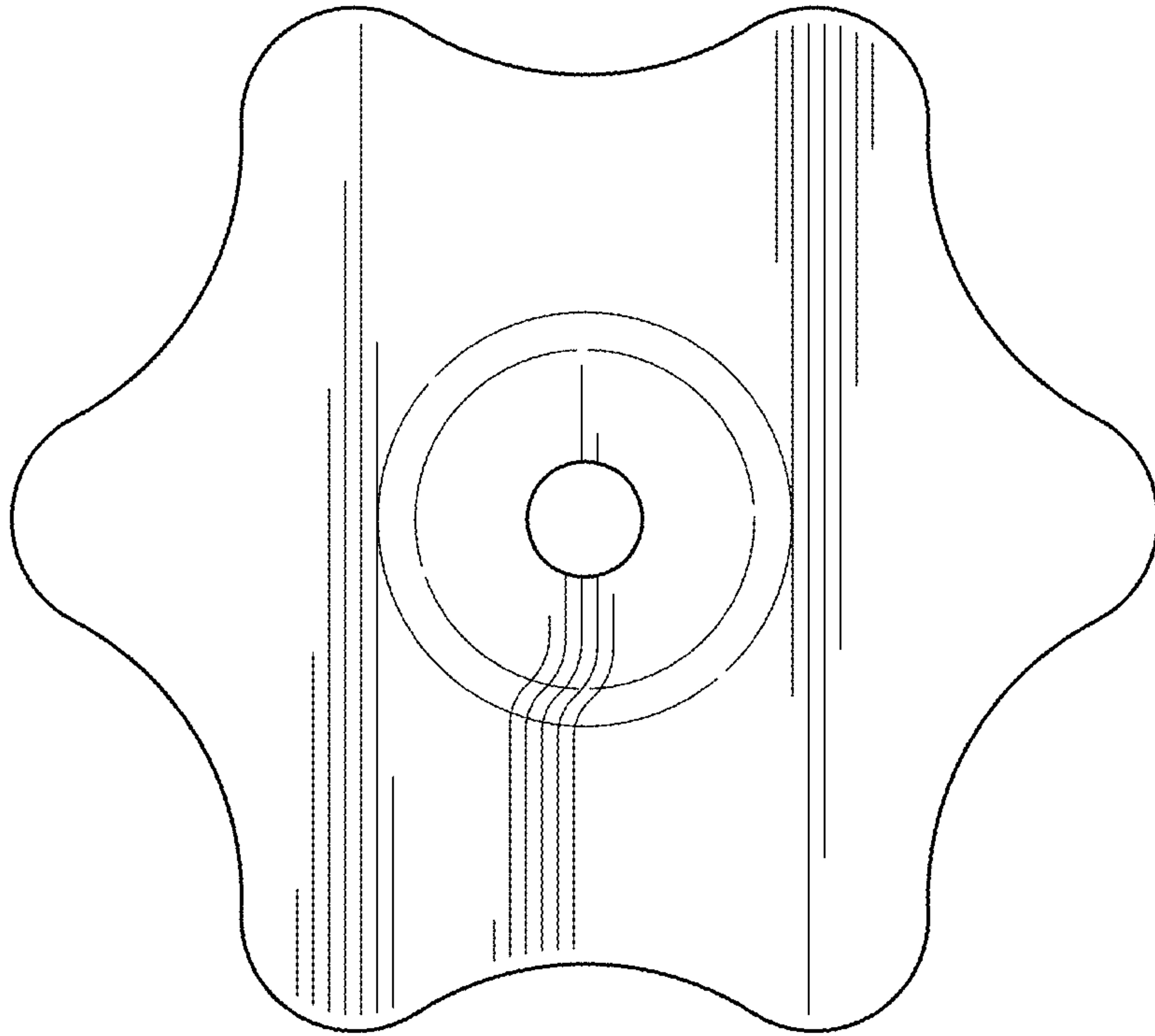


FIG. 6



FIG. 7

UNITED STATES PATENT AND TRADEMARK OFFICE
CERTIFICATE OF CORRECTION

PATENT NO. : D735,346 S
APPLICATION NO. : 29/478183
DATED : July 28, 2015
INVENTOR(S) : Stephen Cotton

Page 1 of 1

It is certified that error appears in the above-identified patent and that said Letters Patent is hereby corrected as shown below:

On The Title Page,

Under item (30) Foreign Application Priority Data, the priority date of the first listed priority document EP 002265959-0001 is corrected to reflect July 3, 2013 instead of March 7, 2013.

Signed and Sealed this
Twenty-sixth Day of January, 2016



Michelle K. Lee
Director of the United States Patent and Trademark Office