



US00D735342S

(12) **United States Design Patent**  
**Asad et al.**

(10) **Patent No.:** **US D735,342 S**  
(45) **Date of Patent:** **\*\* Jul. 28, 2015**

(54) **MEDICAL CONSOLE**

(71) Applicant: **Hologic, Inc.**, Bedford, MA (US)

(72) Inventors: **Kathryn Asad**, Cary, NC (US); **Mark A. Catron**, Superior, CO (US); **Eric Collins**, Superior, CO (US); **Kenneth F. DeFreitas**, Patterson, NY (US); **David Gilstrap**, Indianapolis, IN (US); **Alan J. Harvey**, Lafayette, CO (US); **Joseph Kapushion**, Erie, CO (US); **Kraig J. Kruger**, Boulder, CO (US); **Henry Landry**, Poughkeepsie, NY (US); **Arnold Oyola**, Northborough, MA (US); **Christian M. Ulm**, Newton, MA (US); **David VandeRiet**, Lafayette, CO (US); **Samantha E. Vish**, Superior, CO (US)

(73) Assignee: **Hologic, Inc.**, Bedford, MA (US)

(\*\*) Term: **14 Years**

(21) Appl. No.: **29/504,834**

(22) Filed: **Oct. 9, 2014**

(51) **LOC (10) Cl.** ..... **24-00**

(52) **U.S. Cl.**  
USPC ..... **D24/185**

(58) **Field of Classification Search**  
USPC ..... D24/185, 172, 158, 164, 186, 234, 128;  
280/47.34; D14/452, 375; D8/363;  
248/276.1, 274.1, 280.11, 371, 631,  
248/278.1; 211/70.6

See application file for complete search history.

(56) **References Cited**

**U.S. PATENT DOCUMENTS**

D467,001 S \* 12/2002 Buczek et al. .... D24/172  
D486,915 S \* 2/2004 Warschewske et al. .... D24/185  
6,705,474 B1 \* 3/2004 Buczek ..... 211/70.6  
7,048,242 B2 \* 5/2006 Oddsen, Jr. .... 248/280.11  
D537,323 S \* 2/2007 Saez ..... D8/363  
7,389,965 B2 \* 6/2008 Oddsen et al. .... 248/274.1

D577,729 S \* 9/2008 Derry et al. .... D14/452  
D598,917 S \* 8/2009 Luber ..... D14/375  
D606,202 S \* 12/2009 Banryu ..... D24/185  
D606,548 S \* 12/2009 Sapper ..... D14/452  
D613,866 S \* 4/2010 Tanaka et al. .... D24/185  
7,694,927 B2 \* 4/2010 Chuang ..... 248/276.1  
D626,235 S \* 10/2010 Smith et al. .... D24/158  
D627,474 S \* 11/2010 Nordgren et al. .... D24/185  
D631,052 S \* 1/2011 Hung ..... D14/452  
D643,535 S \* 8/2011 Ross et al. .... D24/164  
D648,855 S \* 11/2011 Smith et al. .... D24/158  
D652,521 S \* 1/2012 Ross et al. .... D24/185  
D652,936 S \* 1/2012 Ross et al. .... D24/185  
D654,503 S \* 2/2012 Sapper ..... D14/452  
D657,470 S \* 4/2012 Schon et al. .... D24/186  
8,240,684 B2 \* 8/2012 Ross et al. .... 280/47.34  
D670,813 S \* 11/2012 Sommer et al. .... D24/172  
D680,650 S \* 4/2013 Muraoka et al. .... D24/158  
D692,563 S \* 10/2013 Naef et al. .... D24/172

(Continued)

*Primary Examiner* — Holly Baynham

*Assistant Examiner* — Rhea Shields

(74) *Attorney, Agent, or Firm* — Robert P. Smith

(57) **CLAIM**

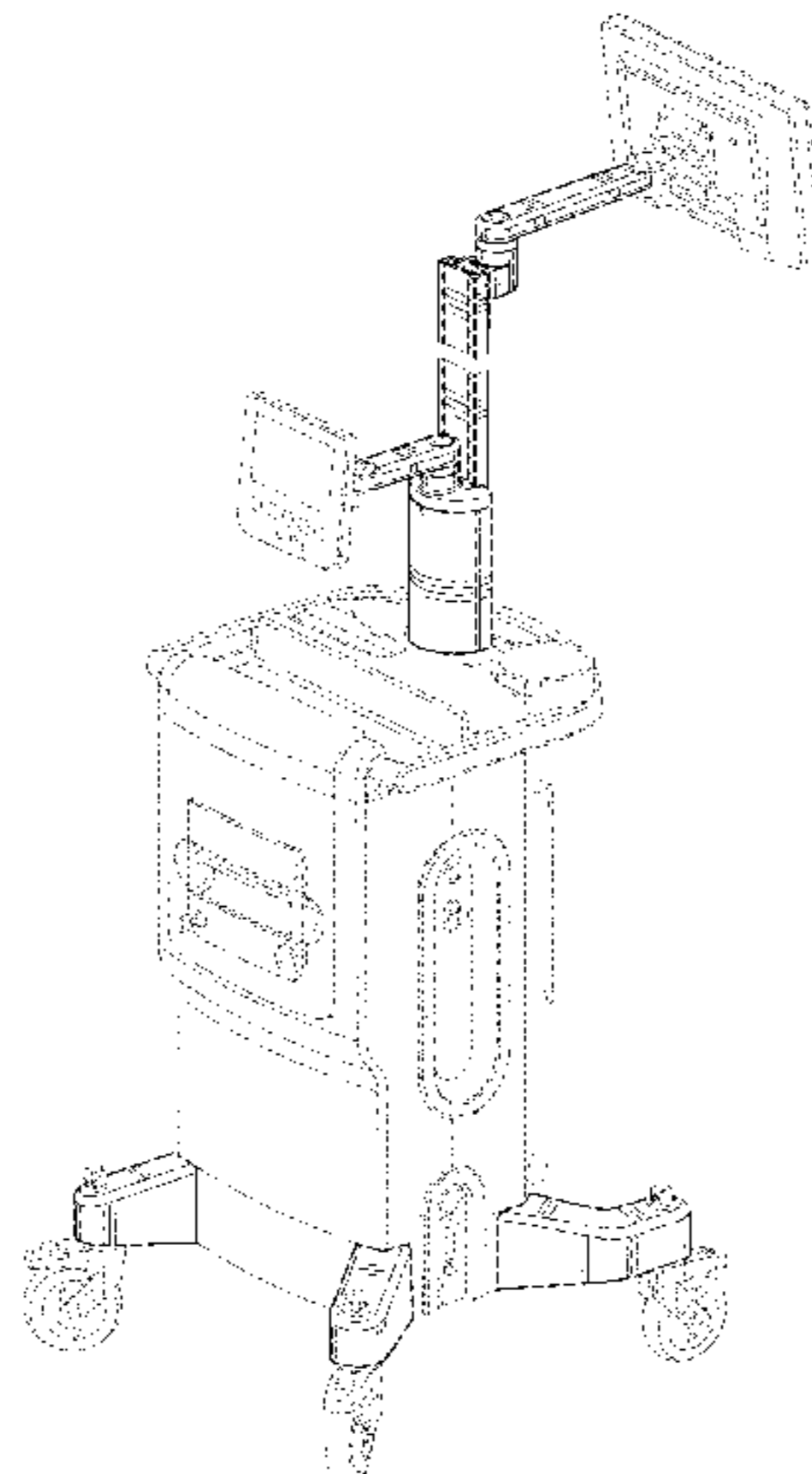
The ornamental design for a medical console, as shown and described.

**DESCRIPTION**

FIG. 1 is a front perspective view of the medical console; FIG. 2 is a right side elevational view thereof; FIG. 3 is a left side elevational view thereof; FIG. 4 is a rear elevational view thereof; FIG. 5 is a front elevational view thereof; FIG. 6 is a top plan view thereof; and, FIG. 7 is a bottom plan view thereof.

The article is not limited to the scale shown herein. The support arm portion of the medical console is shown with a symbolic break in its length. The appearance of any portion of the article between the break lines forms no part of the claimed design. In the drawings, the broken lines depict unclaimed subject matter only and form no part of the claimed design.

**1 Claim, 7 Drawing Sheets**



(56)

**References Cited**

U.S. PATENT DOCUMENTS

D696,783 S \* 12/2013 Chung et al. .... D24/185  
D699,852 S \* 2/2014 Chung et al. .... D24/158  
D700,706 S \* 3/2014 Molter ..... D24/185  
D702,842 S \* 4/2014 Hyde et al. .... D24/185  
D707,360 S \* 6/2014 Kim et al. .... D24/185

D712,540 S \* 9/2014 Hansen et al. .... D24/158  
D715,440 S \* 10/2014 Kim ..... D24/158  
2003/0075653 A1 \* 4/2003 Li ..... 248/274.1  
2006/0266909 A1 \* 11/2006 Oddsen et al. .... 248/371  
2008/0164395 A1 \* 7/2008 Chang et al. .... 248/276.1  
2008/0237439 A1 \* 10/2008 Oddsen ..... 248/631  
2009/0090831 A1 \* 4/2009 Henning et al. .... 248/278.1

\* cited by examiner

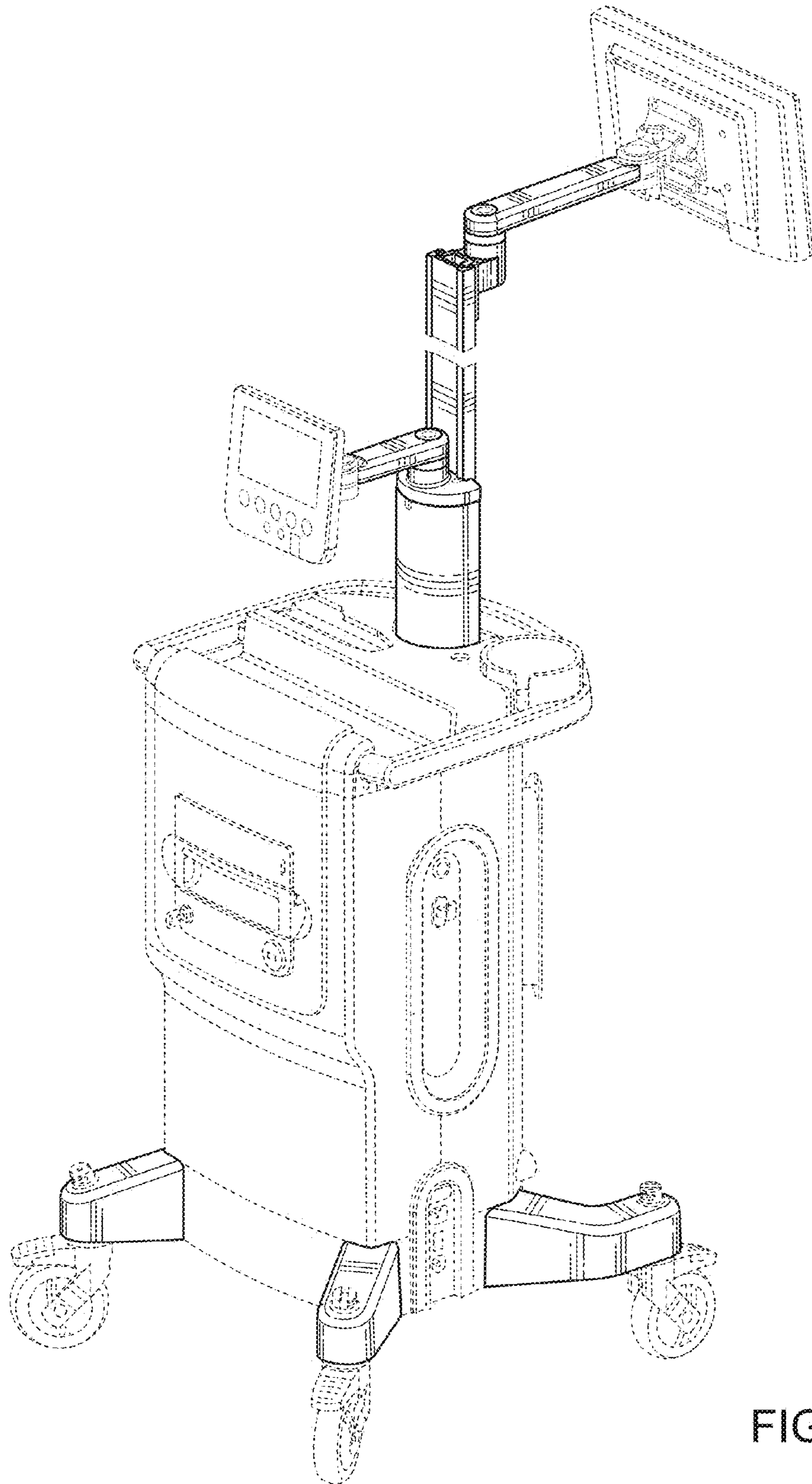


FIG. 1

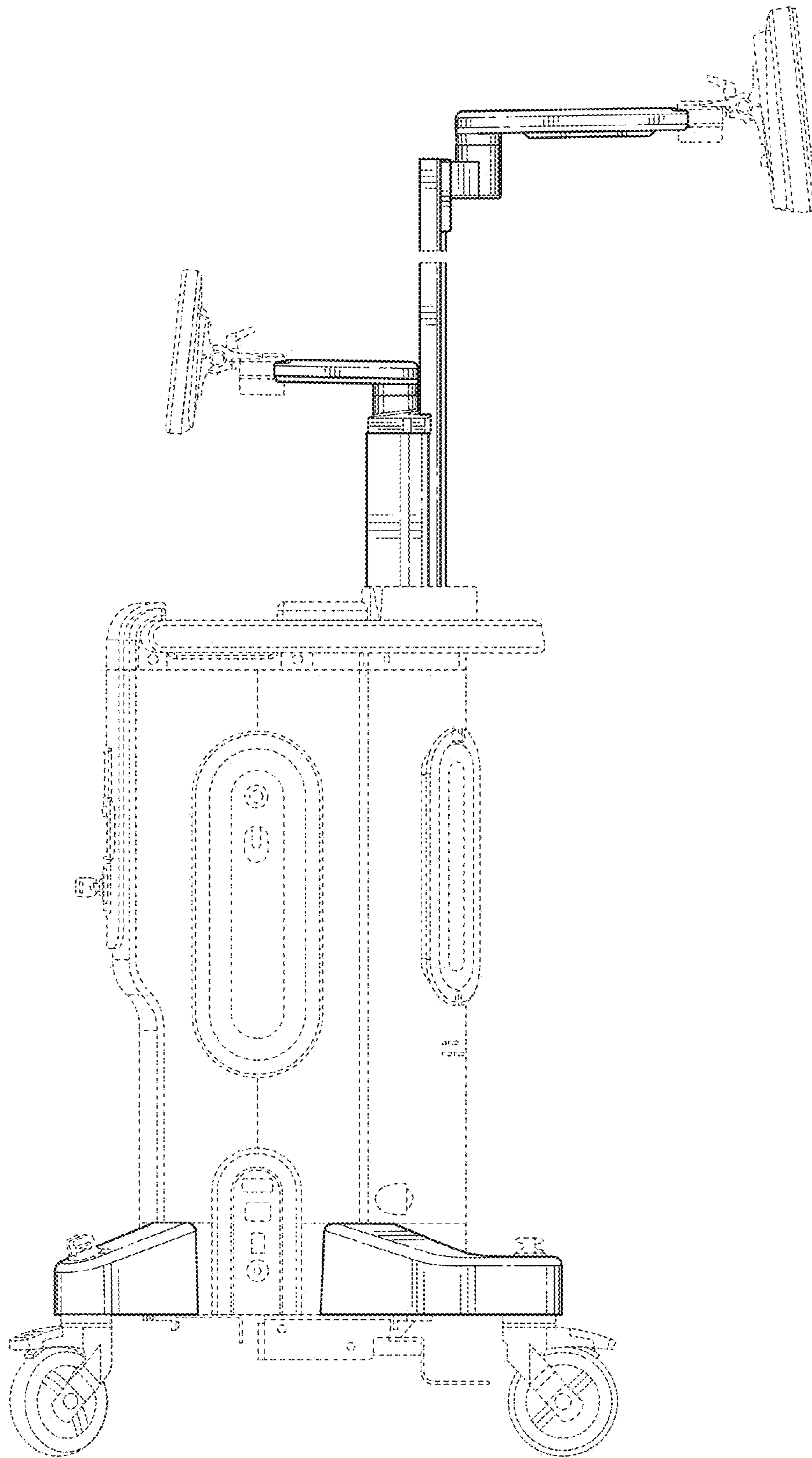


FIG. 2

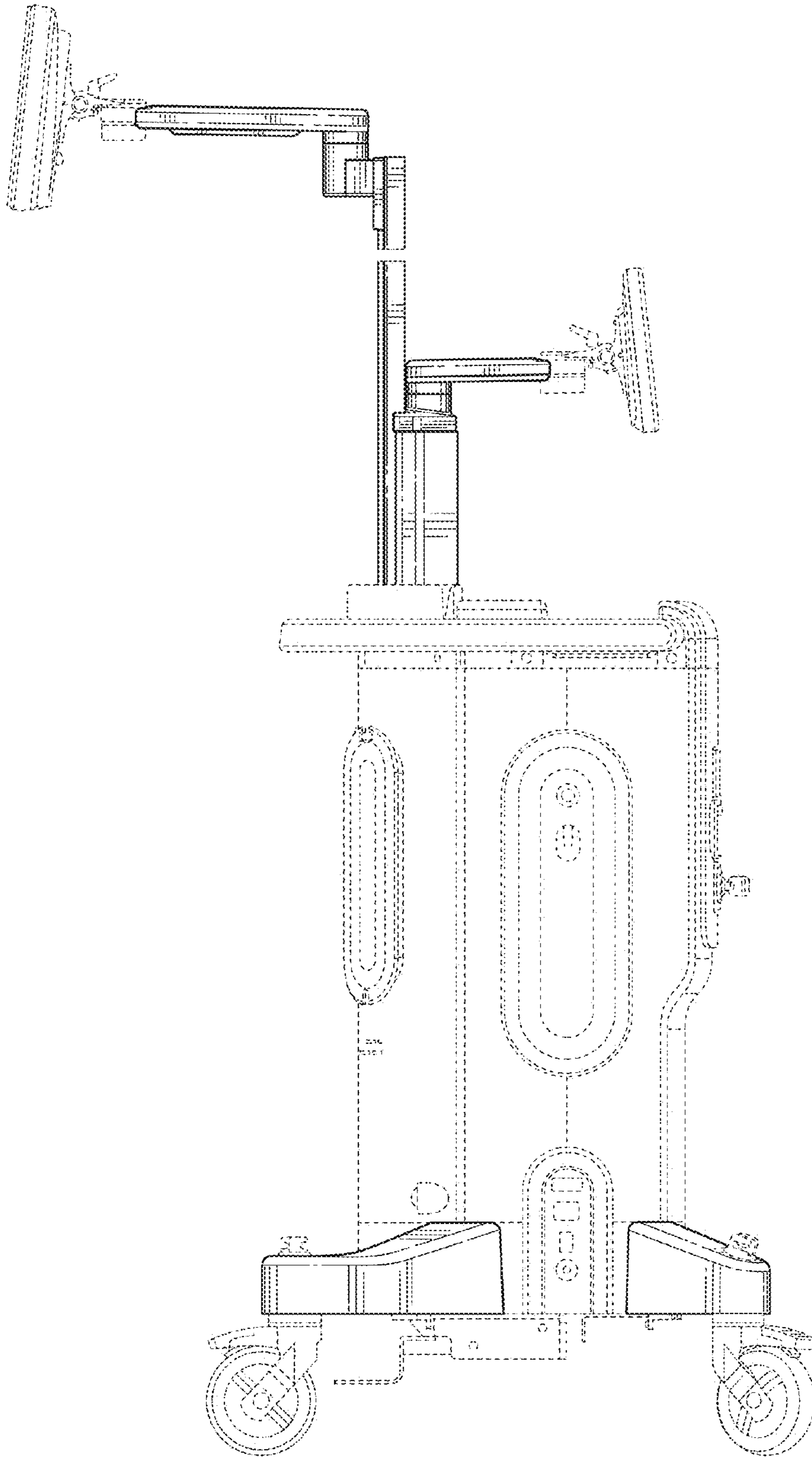


FIG. 3

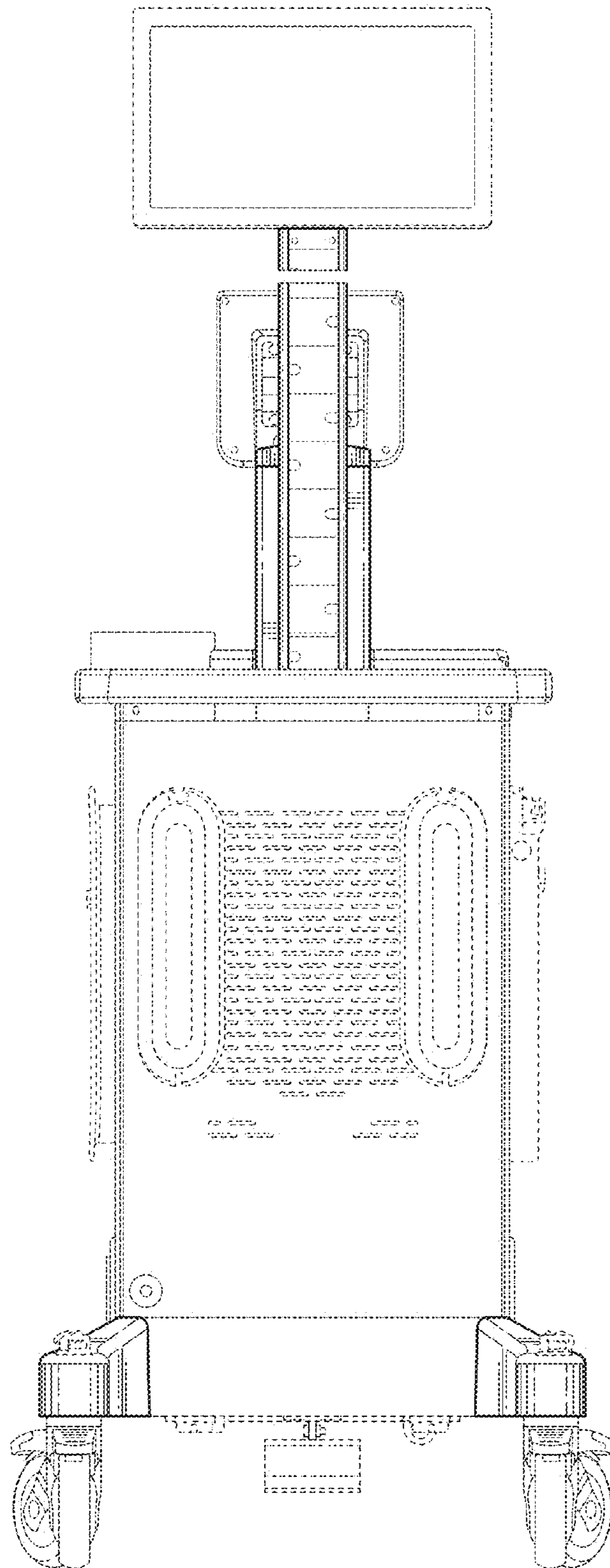


FIG. 4

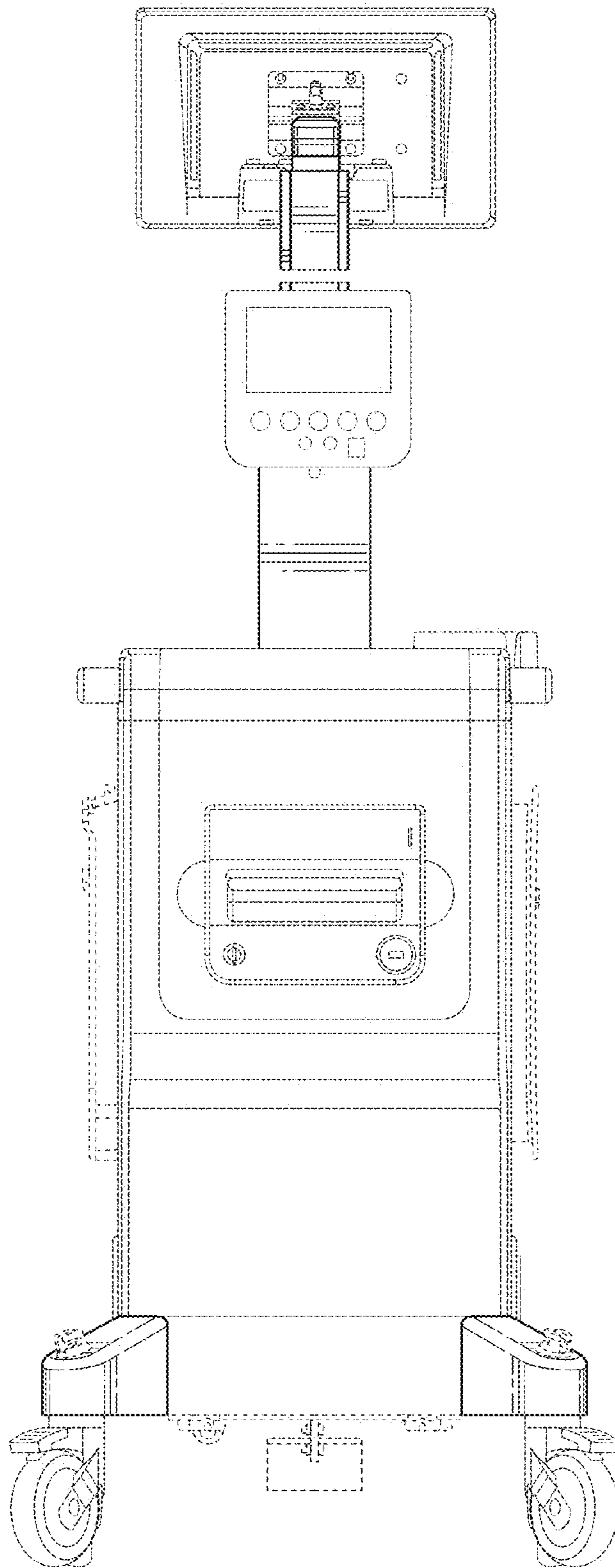


FIG. 5

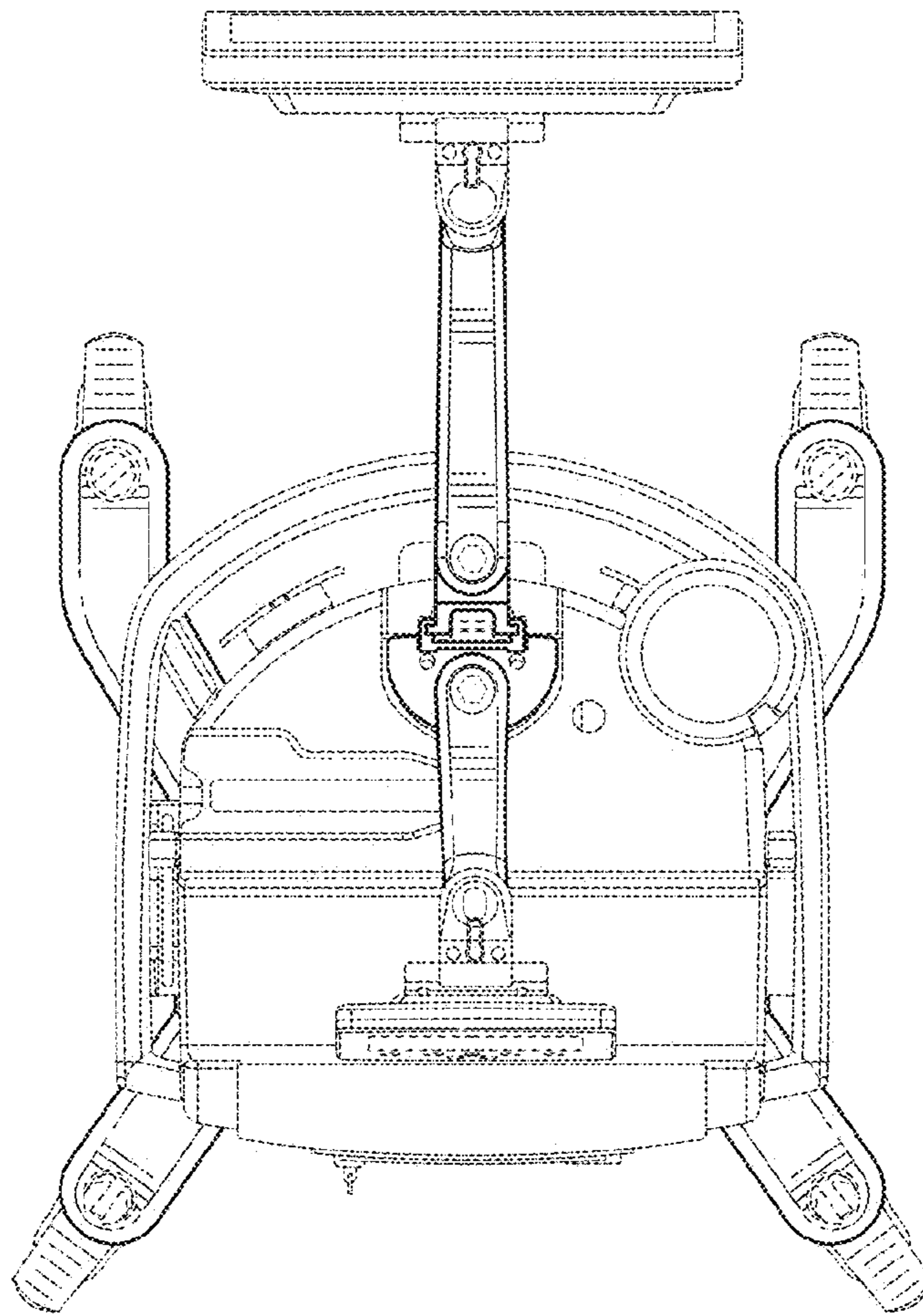


FIG. 6



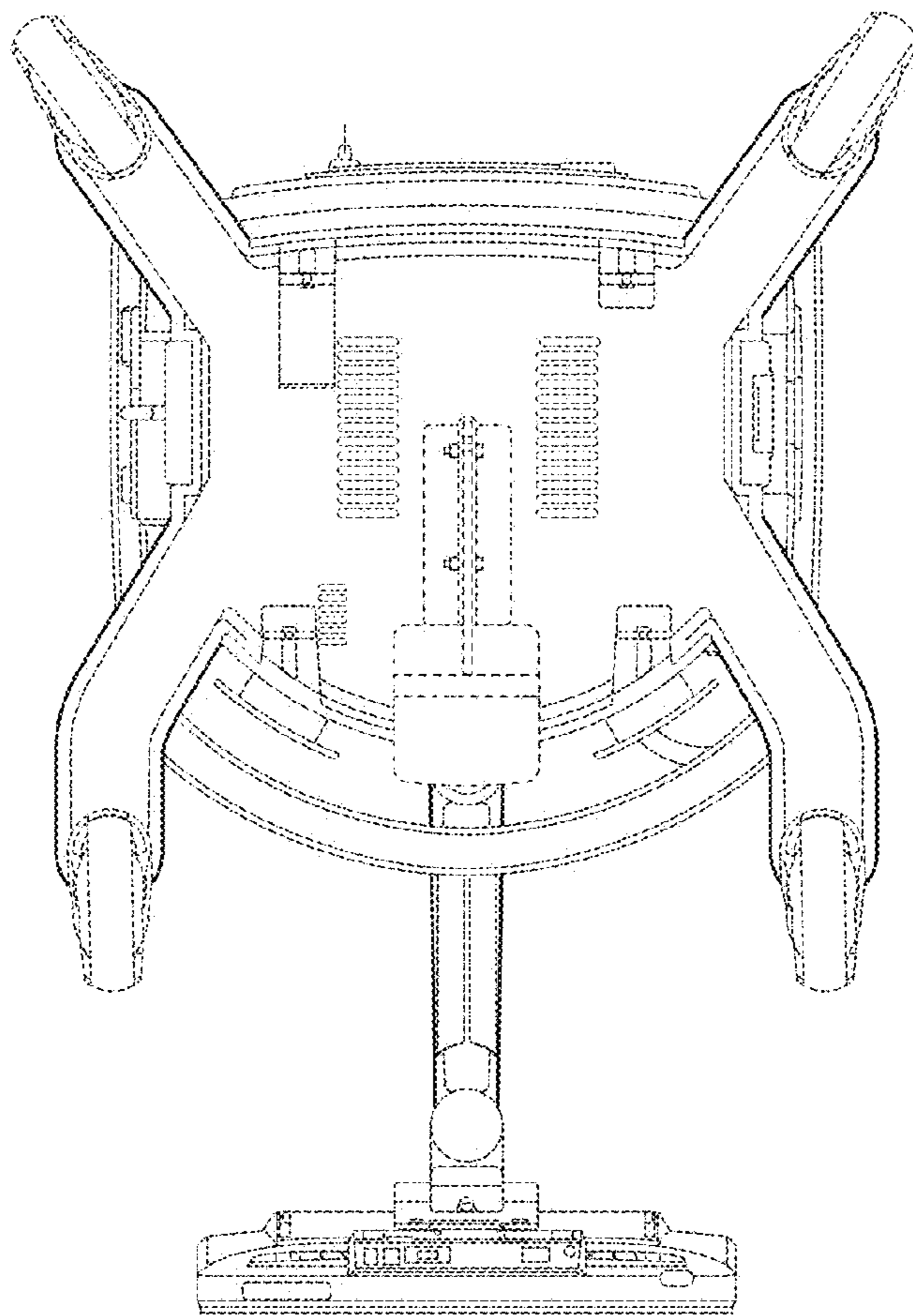


FIG. 7