



US00D735340S

(12) **United States Design Patent**  
**Meinertz**

(10) **Patent No.:** **US D735,340 S**

(45) **Date of Patent:** **\*\* Jul. 28, 2015**

(54) **HEARING AID**

(71) Applicant: **GN ReSound A/S**, Ballerup (DK)

(72) Inventor: **Philip Meinertz**, Gentofte (DK)

(73) Assignee: **GN RESOUND A/S**, Ballerup (DK)

(\*\*) Term: **14 Years**

(21) Appl. No.: **29/494,015**

(22) Filed: **Jun. 16, 2014**

(30) **Foreign Application Priority Data**

Dec. 30, 2013 (EM) ..... 002378877

(51) **LOC (10) Cl.** ..... **24-99**

(52) **U.S. Cl.**  
USPC ..... **D24/174**

(58) **Field of Classification Search**  
USPC ..... D24/173–175, 151; D14/205, 206,  
D14/223–226, 249; 381/23.1, 312,  
381/322–324, 328, 330, 380, 381; 181/135  
See application file for complete search history.

(56) **References Cited**

U.S. PATENT DOCUMENTS

D646,788 S *	10/2011	Dubs et al.	.....	D24/174
D667,121 S *	9/2012	Mori et al.	.....	D24/174
D676,558 S *	2/2013	Meinertz	.....	D24/174
D676,968 S *	2/2013	Meinertz	.....	D24/174
D685,912 S *	7/2013	Havn et al.	.....	D24/174
D687,952 S *	8/2013	Dubs	.....	D24/174
D698,024 S *	1/2014	Meinertz	.....	D24/174

(Continued)

Primary Examiner — Anhdao Doan

(74) *Attorney, Agent, or Firm* — Vista IP Law Group, LLP

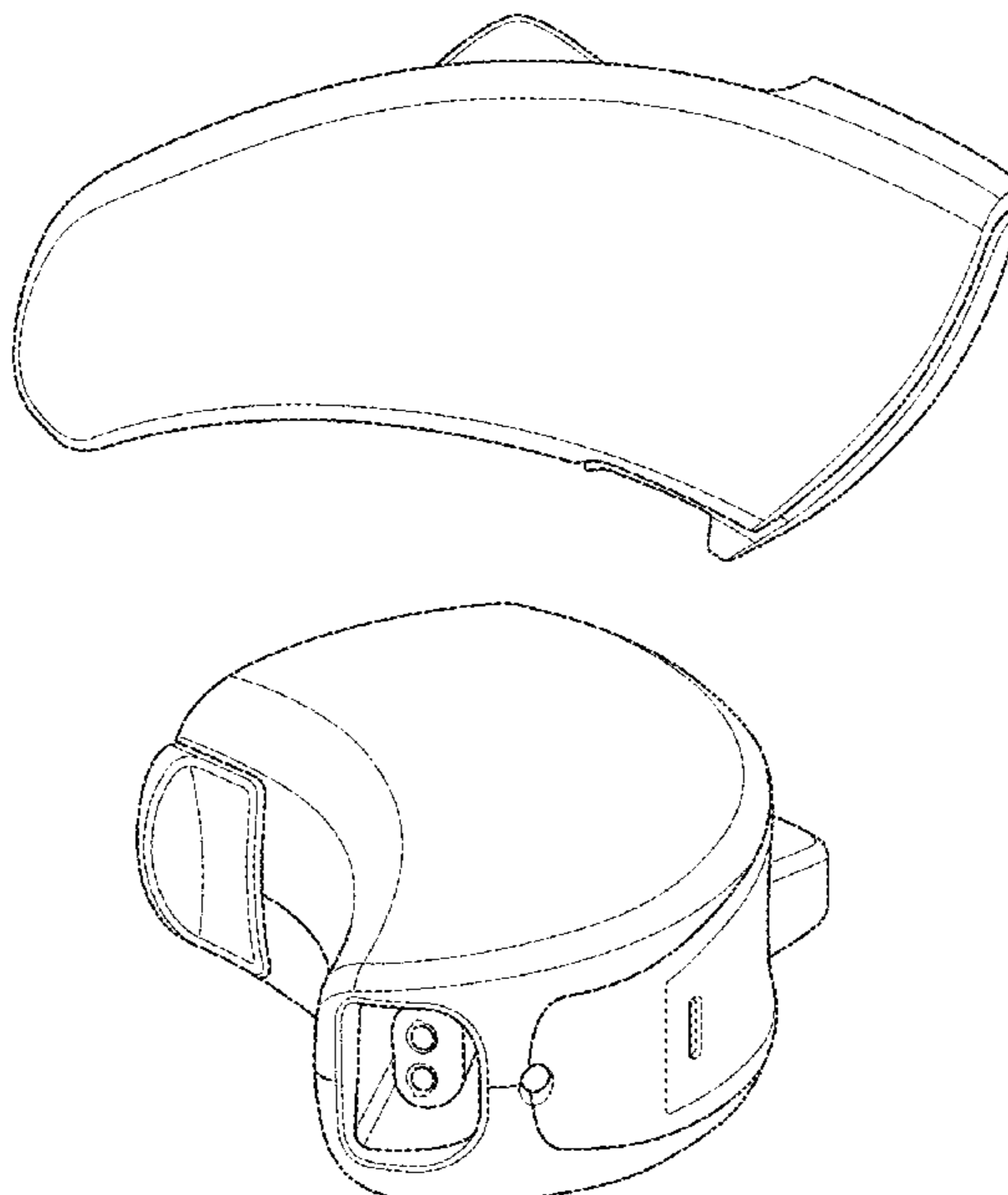
(57) **CLAIM**

The ornamental design for a hearing aid, as shown and described.

**DESCRIPTION**

FIG. 1 is a side view of a hearing aid of my design;  
 FIG. 2 is another side view of the hearing aid of my design;  
 FIG. 3 is a perspective view of the hearing aid of my design;  
 FIG. 4 is another perspective view of the hearing aid of my design;  
 FIG. 5 is another perspective view of the hearing aid of my design;  
 FIG. 6 is another perspective view of the hearing aid of my design;  
 FIG. 7 is another perspective view of the hearing aid of my design;  
 FIG. 8 is another side view of the hearing aid of my design;  
 FIG. 9 is another perspective view of the hearing aid of my design, showing the hearing aid with a tube and earpiece;  
 FIG. 10 is another perspective view of the hearing aid of my design, showing the hearing aid with a tube and earpiece;  
 FIG. 11 is another side view of the hearing aid of my design, showing the hearing aid with a tube and earpiece;  
 FIG. 12 is another side view of the hearing aid of my design, showing the hearing aid with a tube and earpiece;  
 FIG. 13 is another side view of the hearing aid of my design, showing the hearing aid with a tube and earpiece;  
 FIG. 14 is another perspective view of the hearing aid of my design, showing the hearing aid with a tube and earpiece; and,  
 FIG. 15 is another side view of the hearing aid of my design, showing the hearing aid with a tube and earpiece.  
 The broken lines in the FIGS. 9 and 15 views are directed to environmental structures and form no part of the claimed design.

**1 Claim, 8 Drawing Sheets**



# US D735,340 S

Page 2

---

(56)

## References Cited

D705,936 S \* 5/2014 Lockenwitz ..... D24/174  
2010/0111315 A1\* 5/2010 Kroman ..... 381/60

## U.S. PATENT DOCUMENTS

D698,027 S \* 1/2014 Olsen ..... D24/174 \* cited by examiner

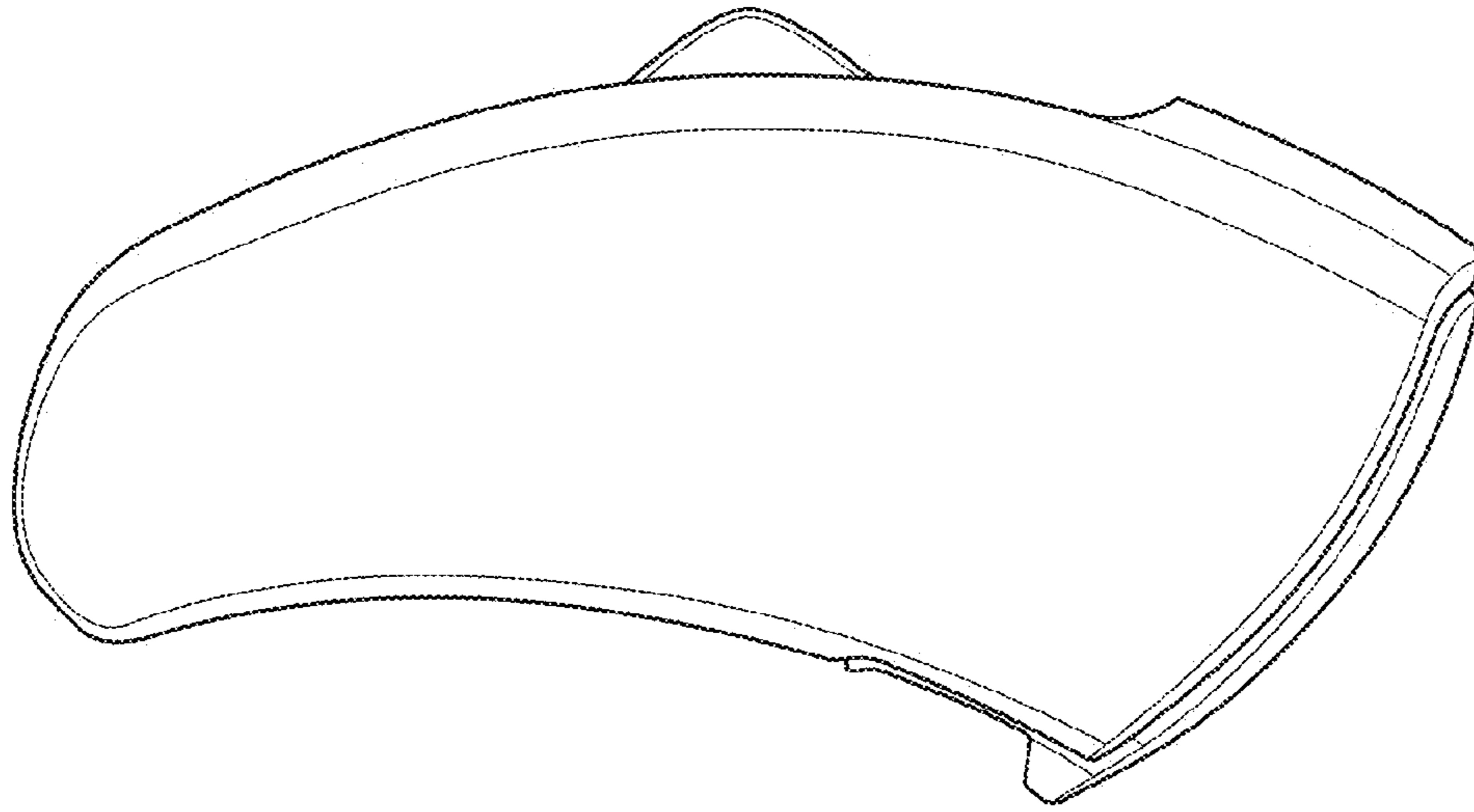


FIG. 1

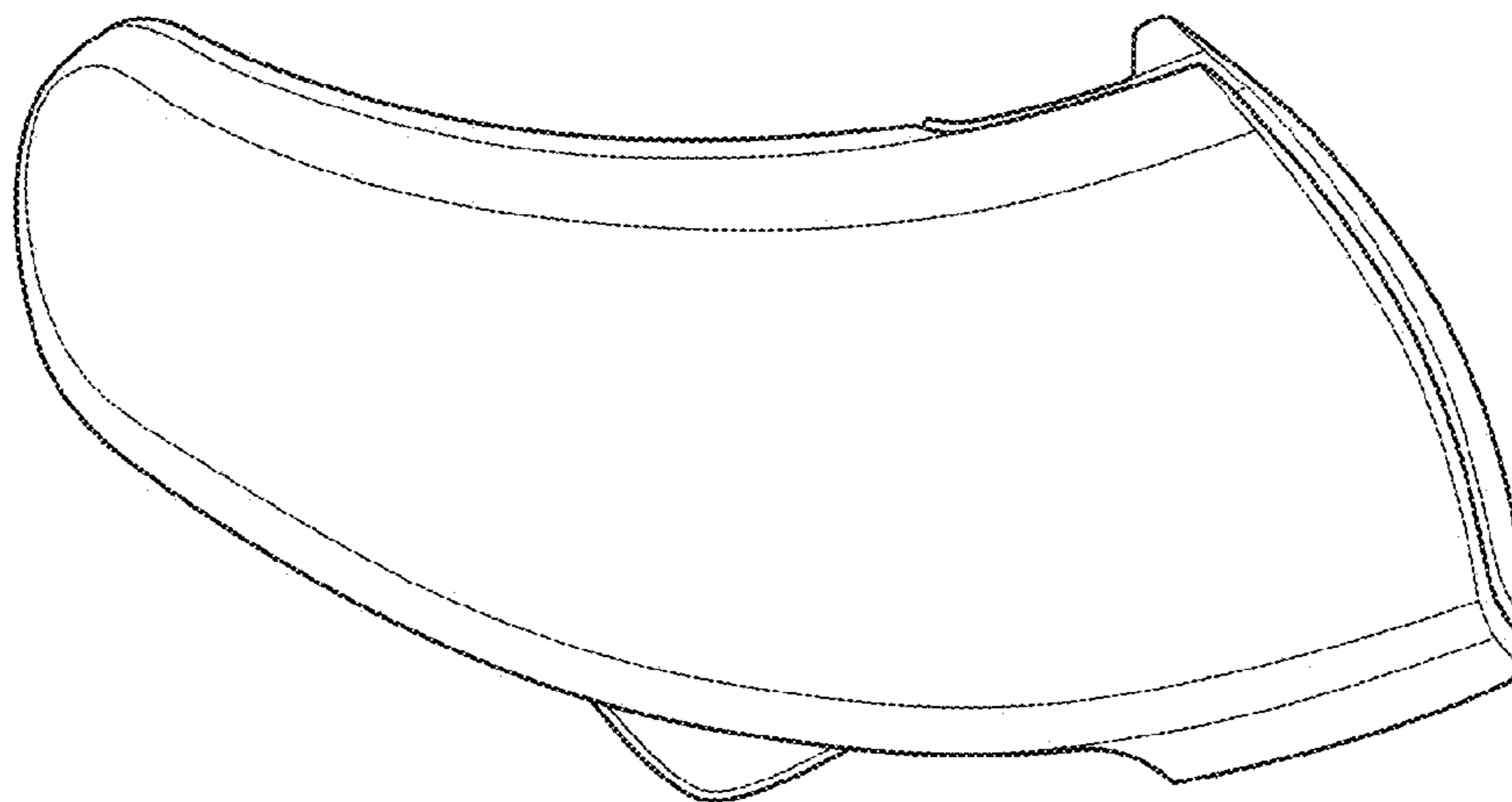


FIG. 2

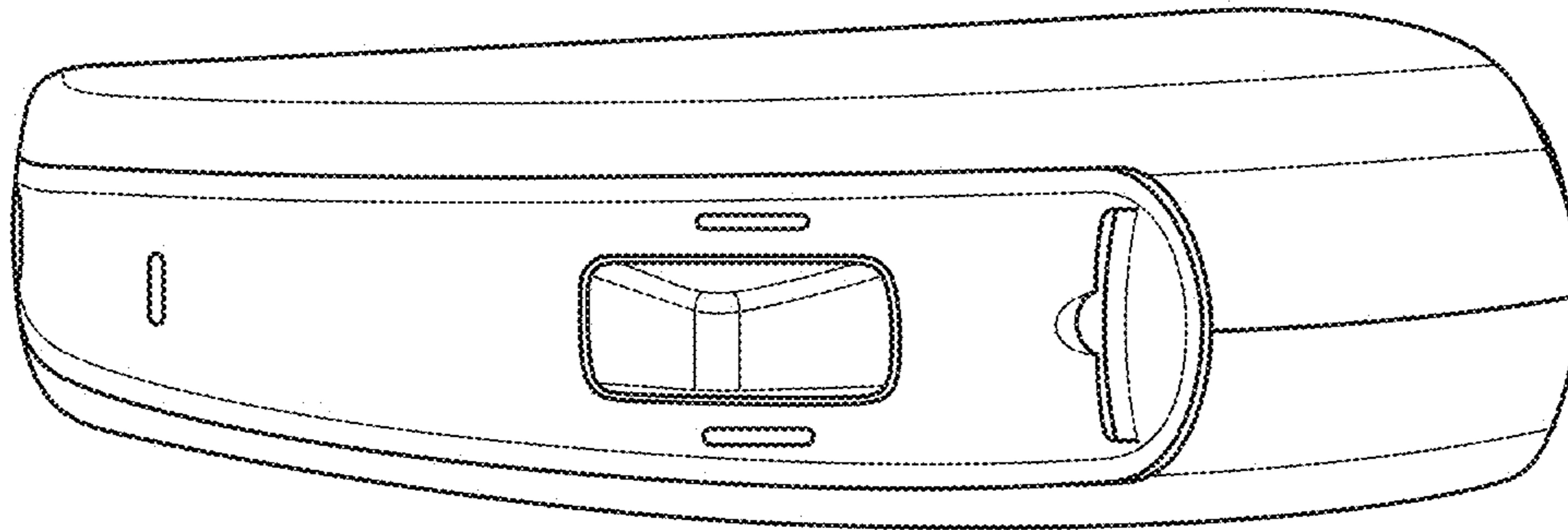


FIG. 3

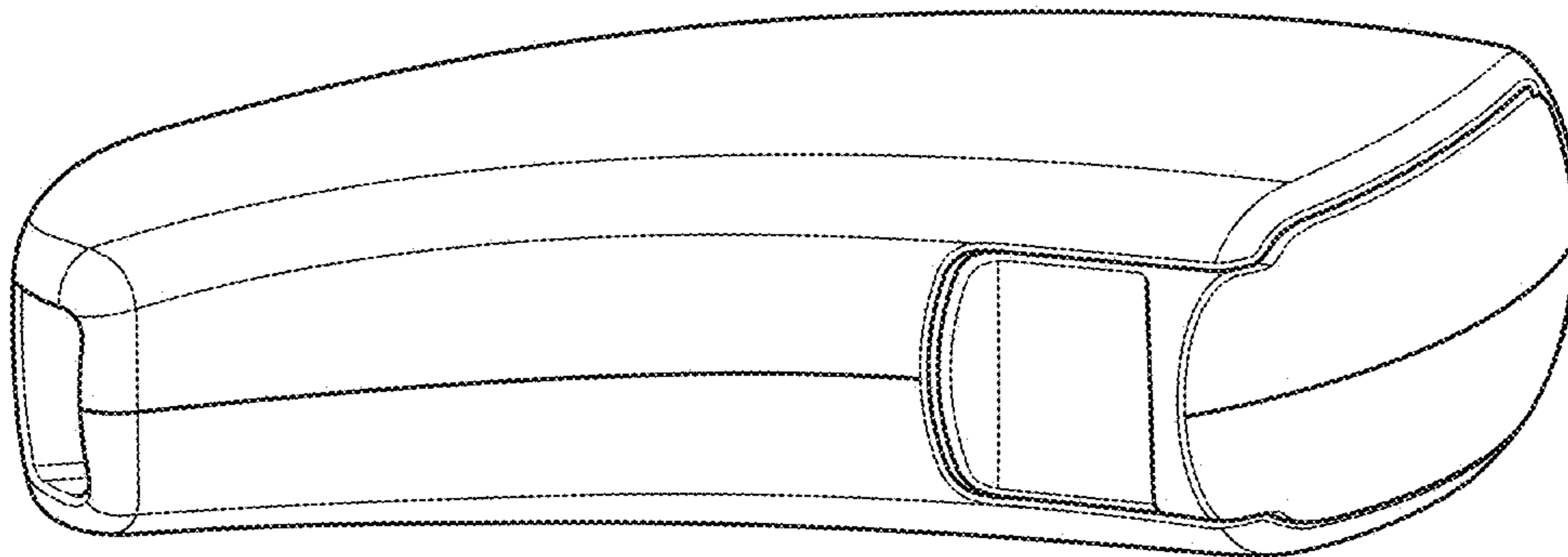


FIG. 4

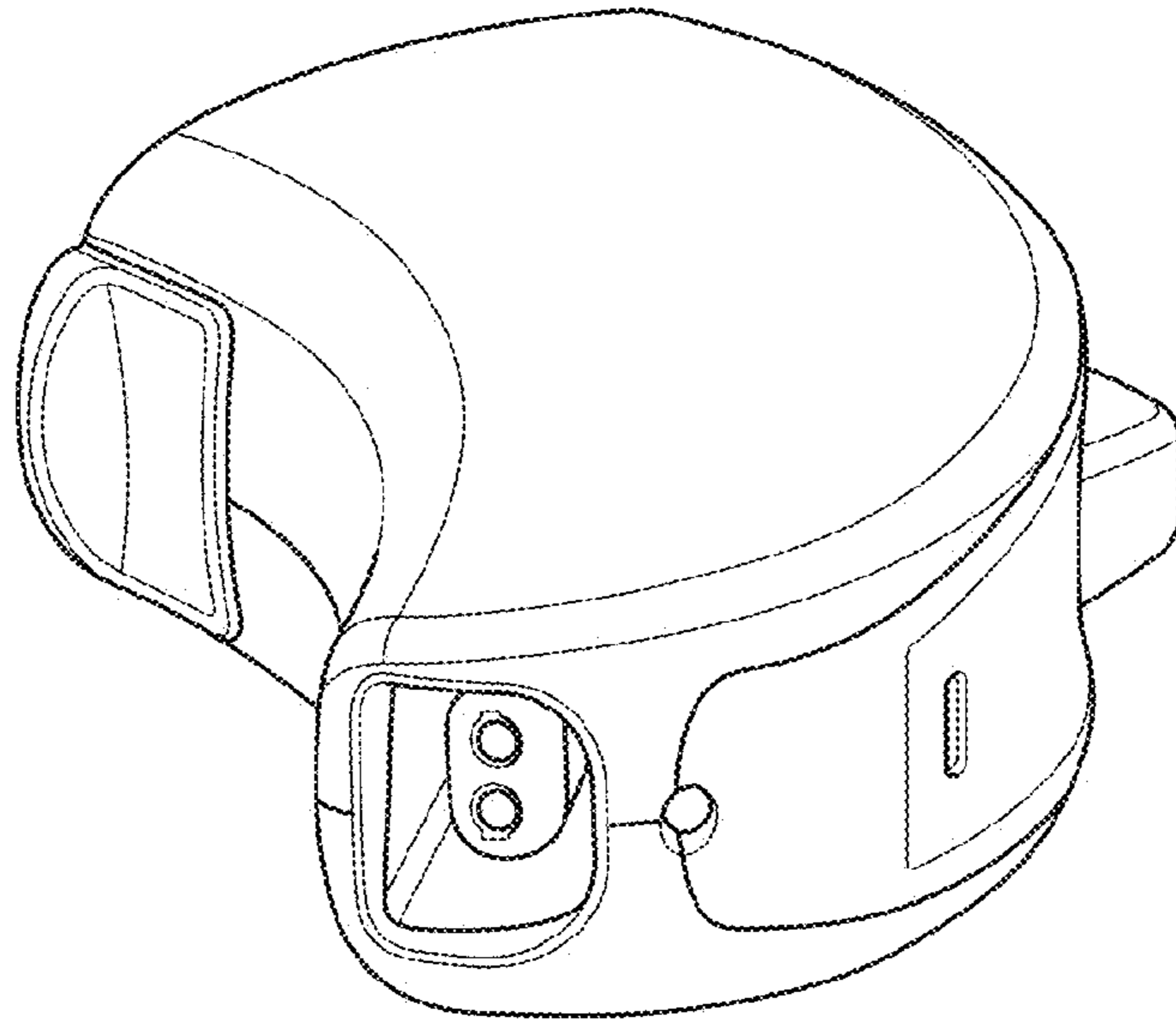


FIG. 5

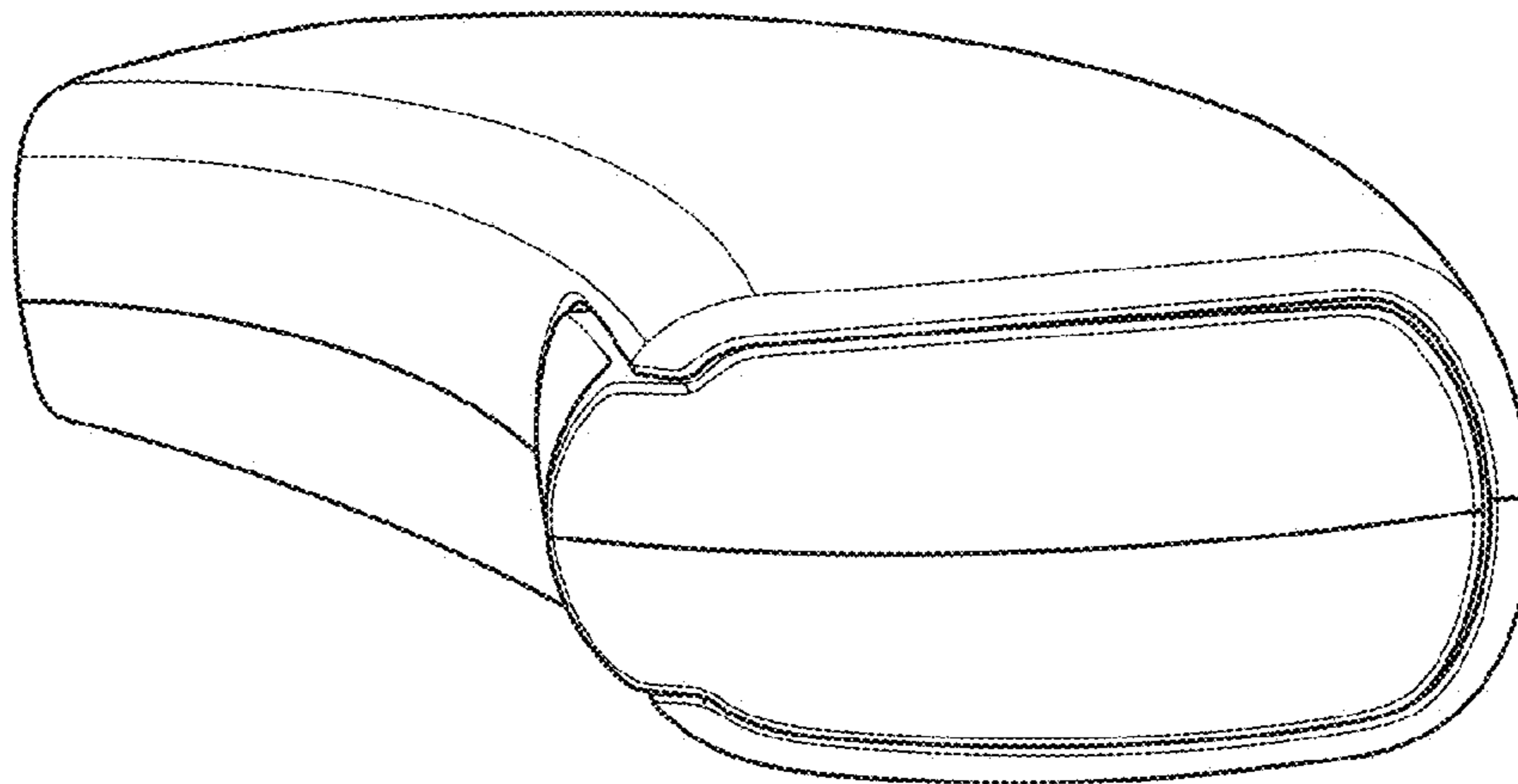


FIG. 6

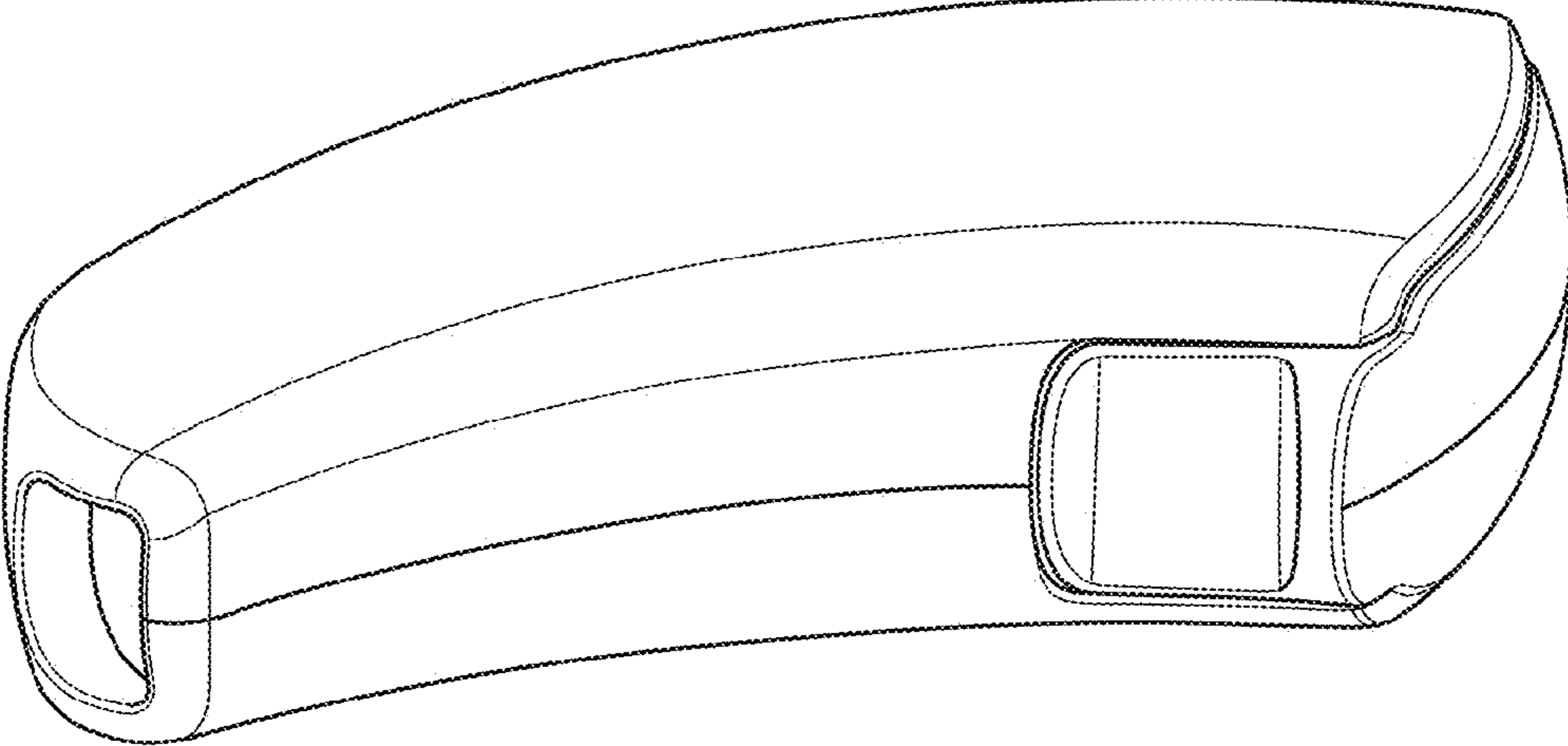


FIG. 7

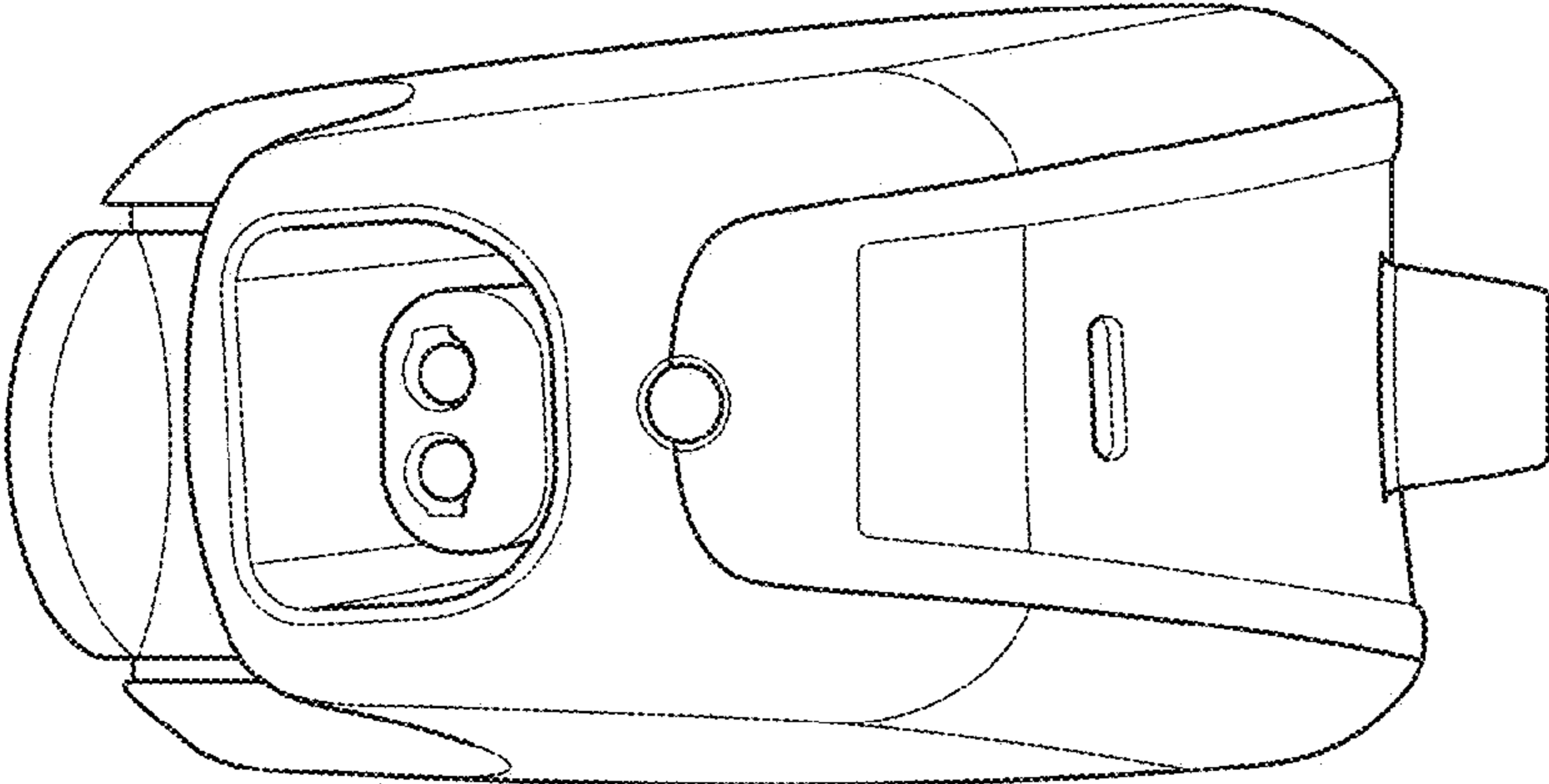


FIG. 8

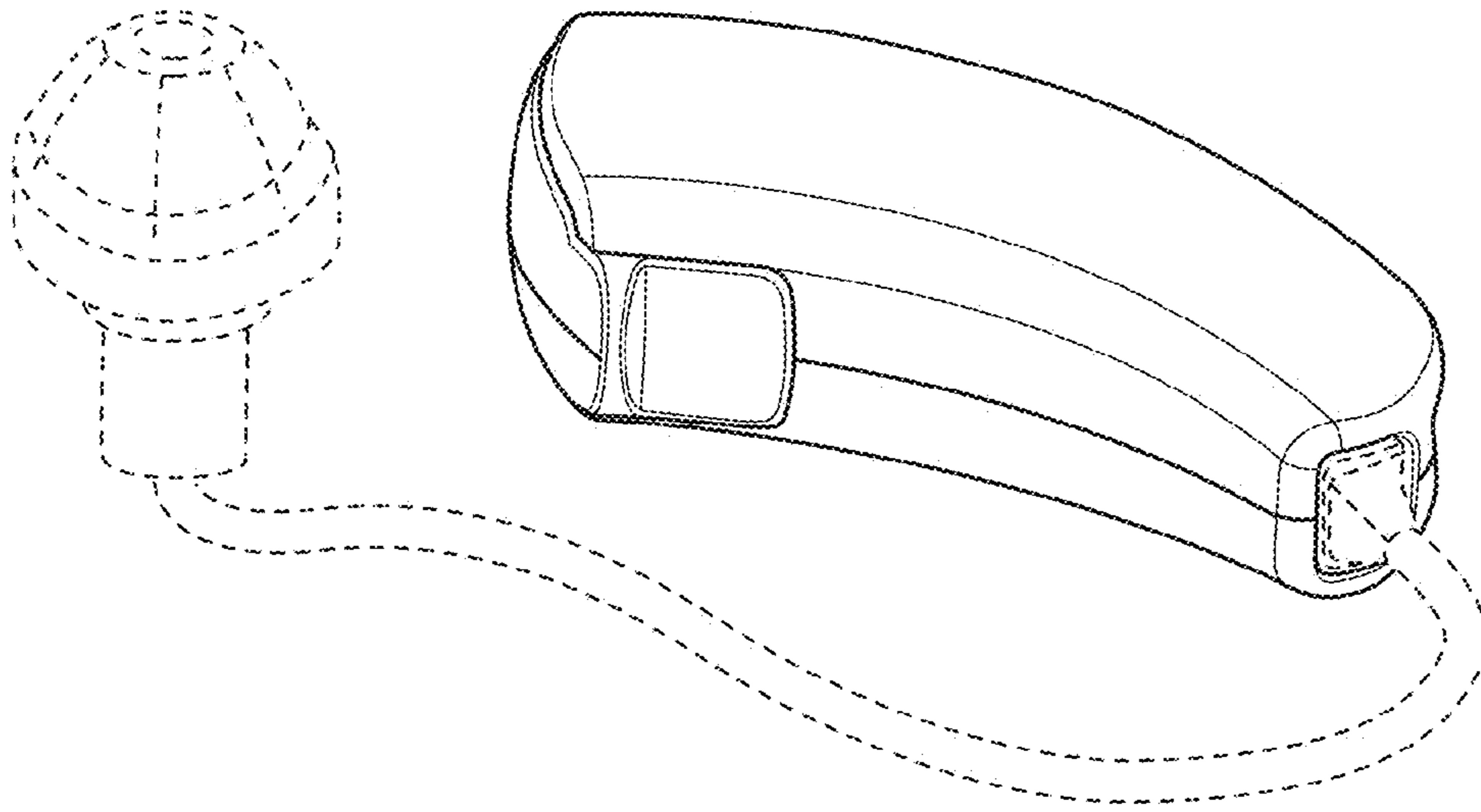


FIG. 9

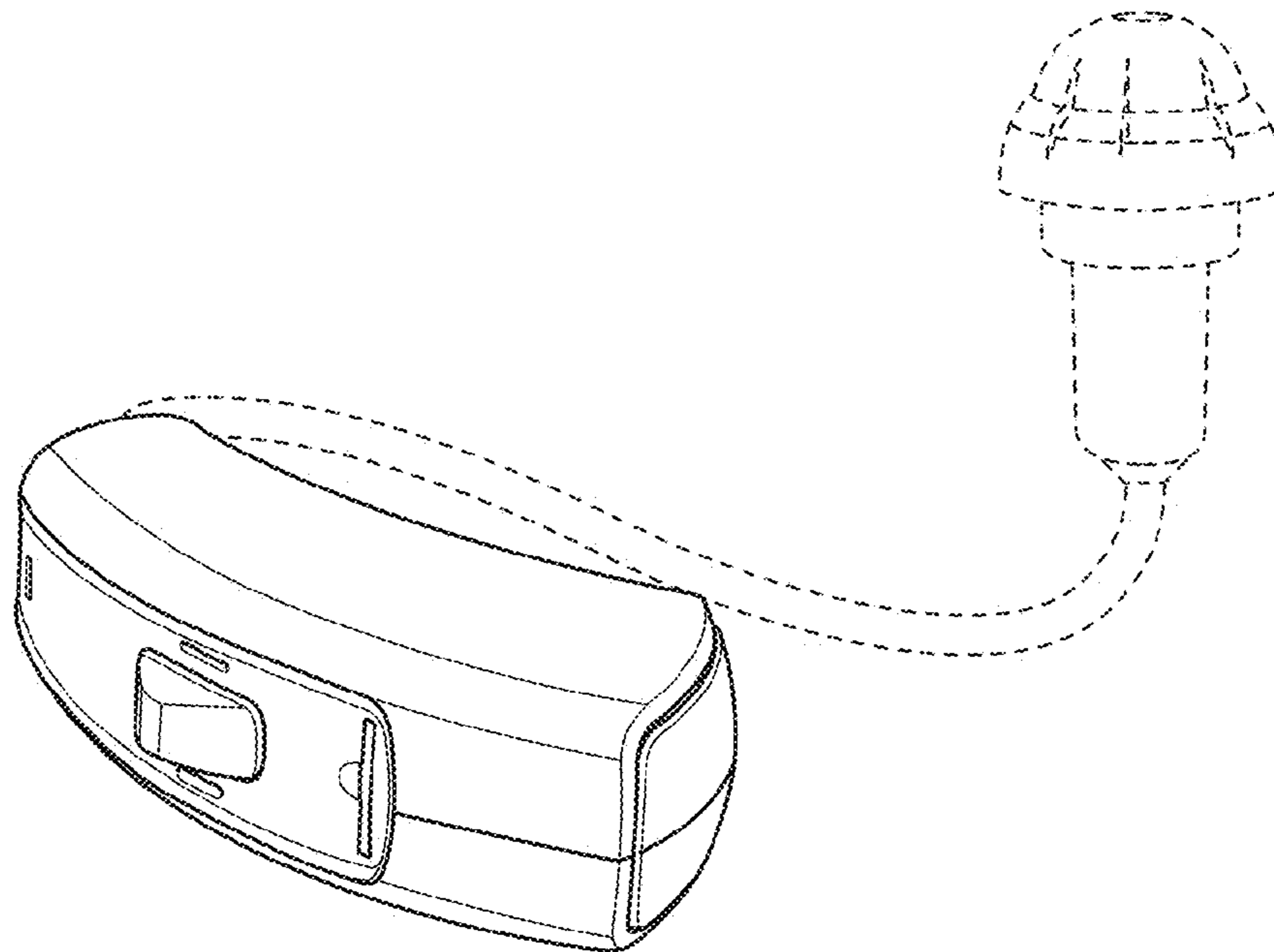


FIG. 10

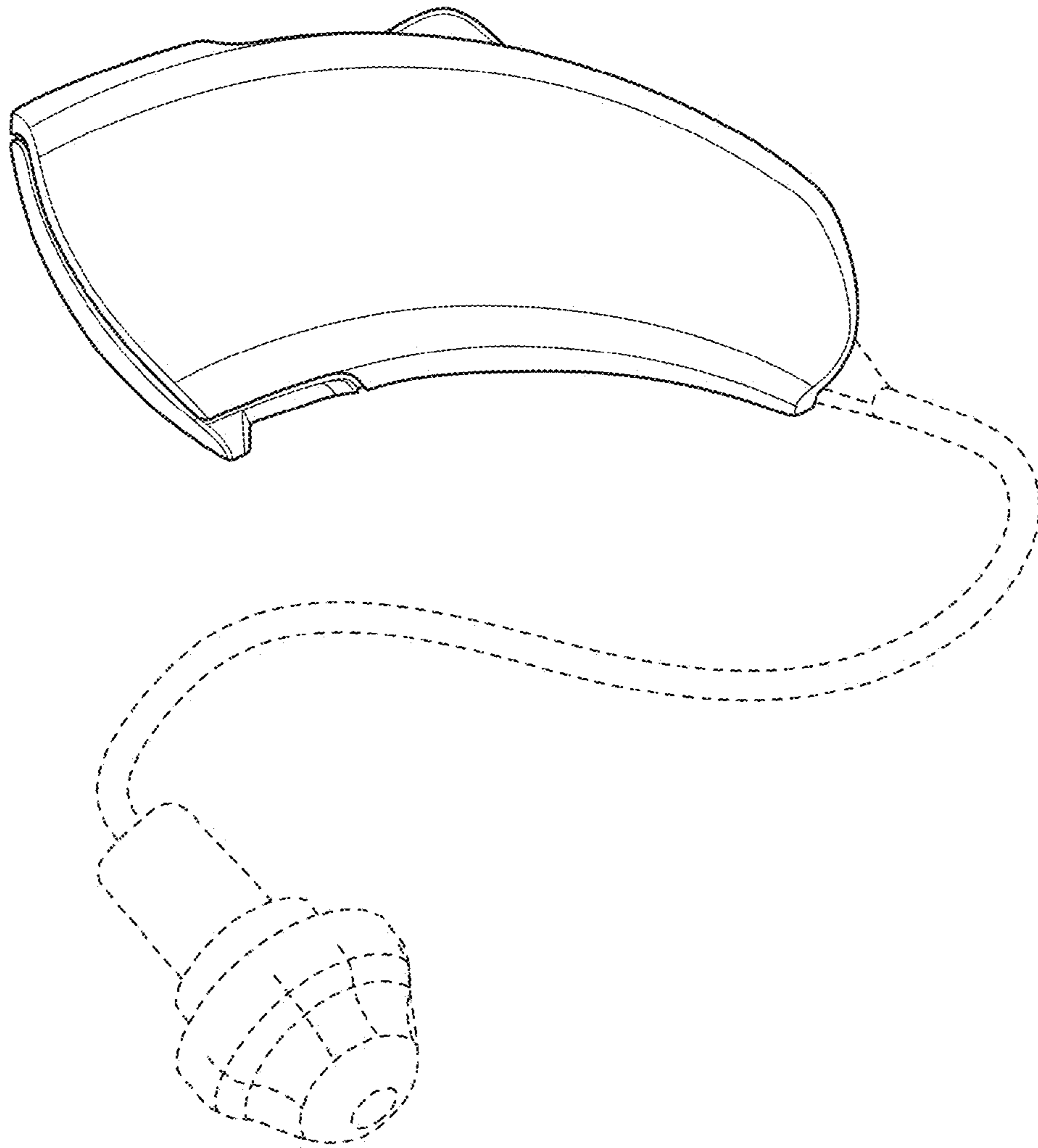


FIG. 11



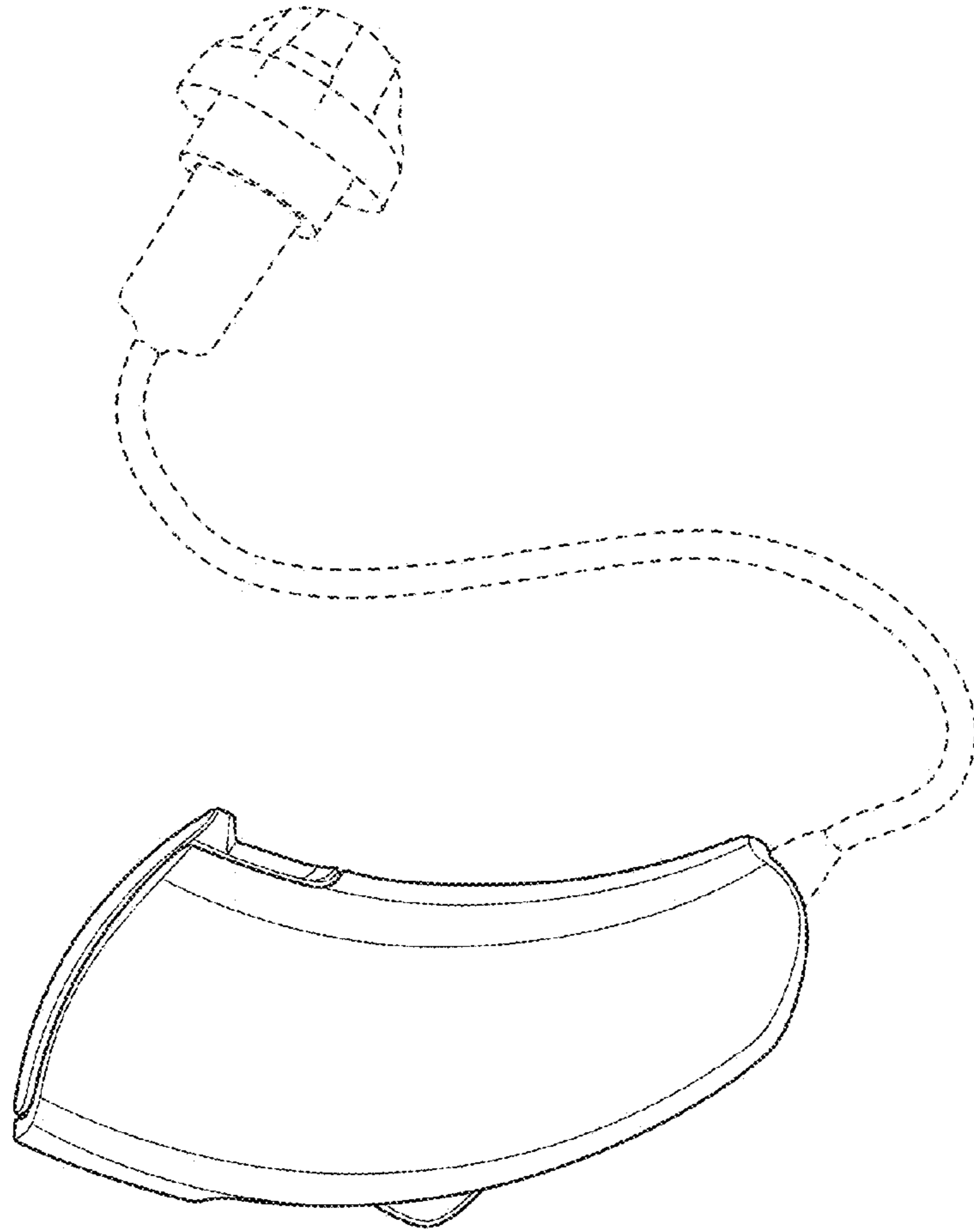


FIG. 12

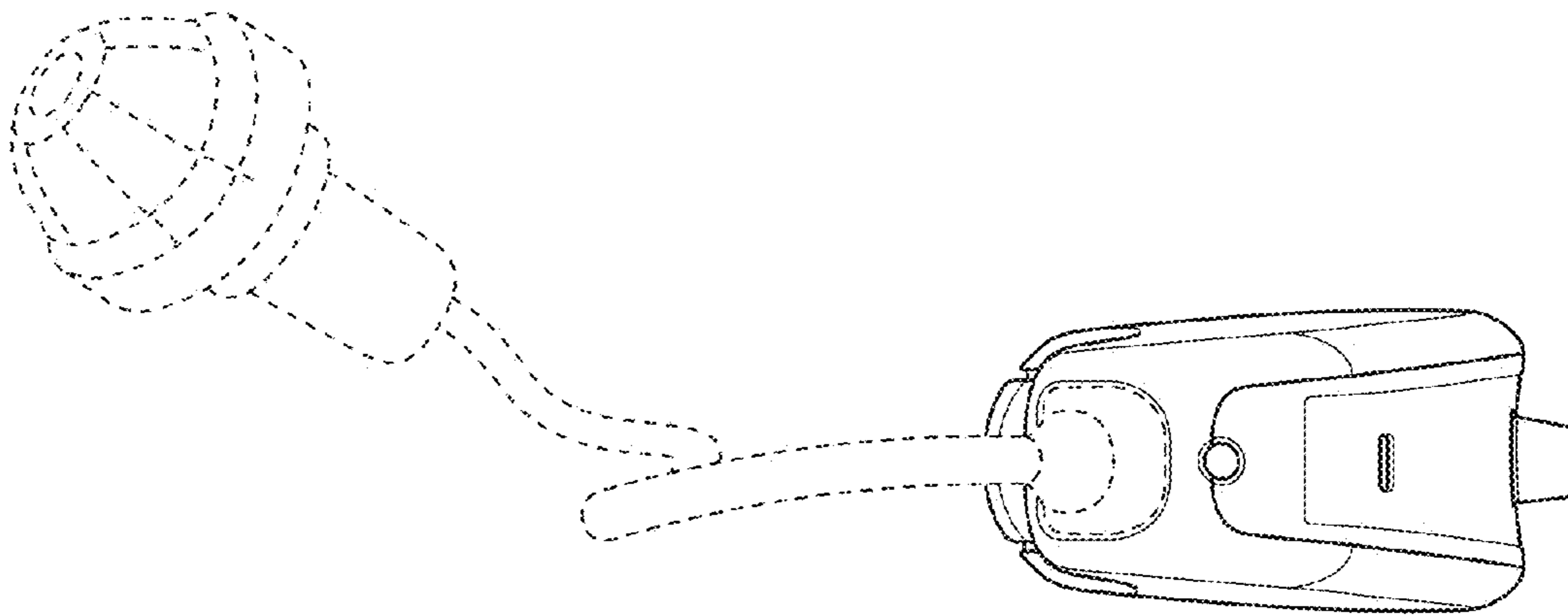


FIG. 13

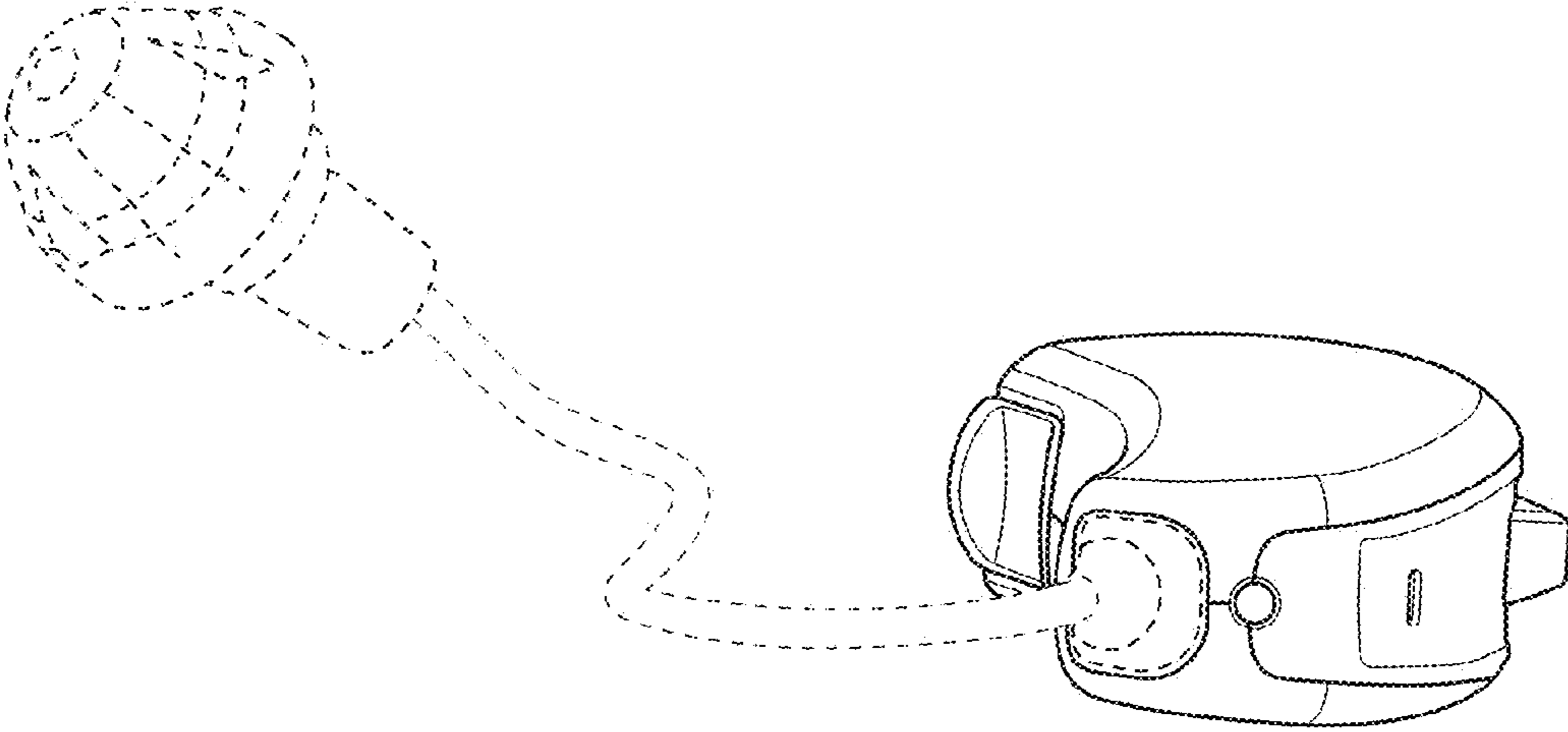


FIG. 14

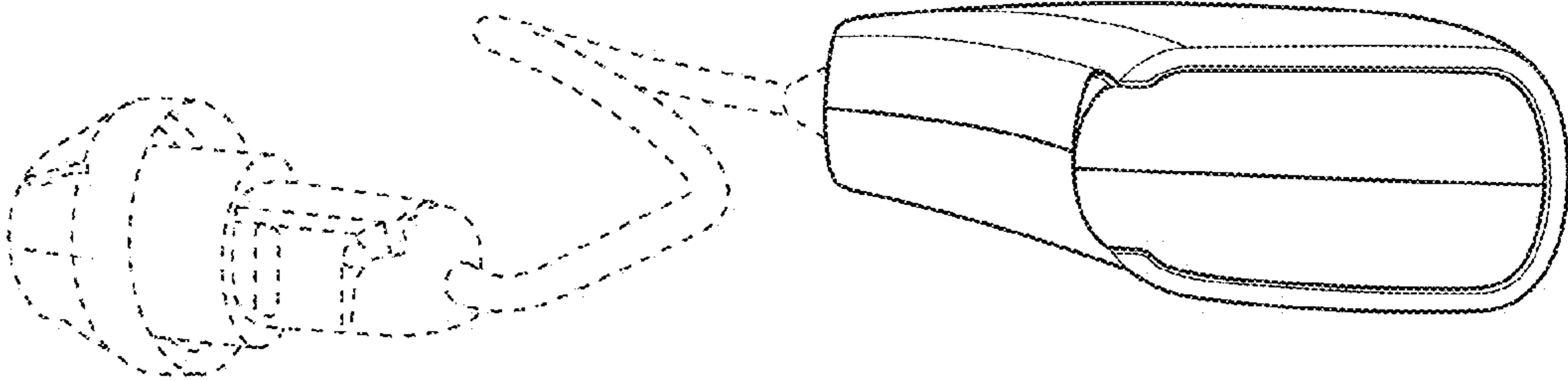


FIG. 15